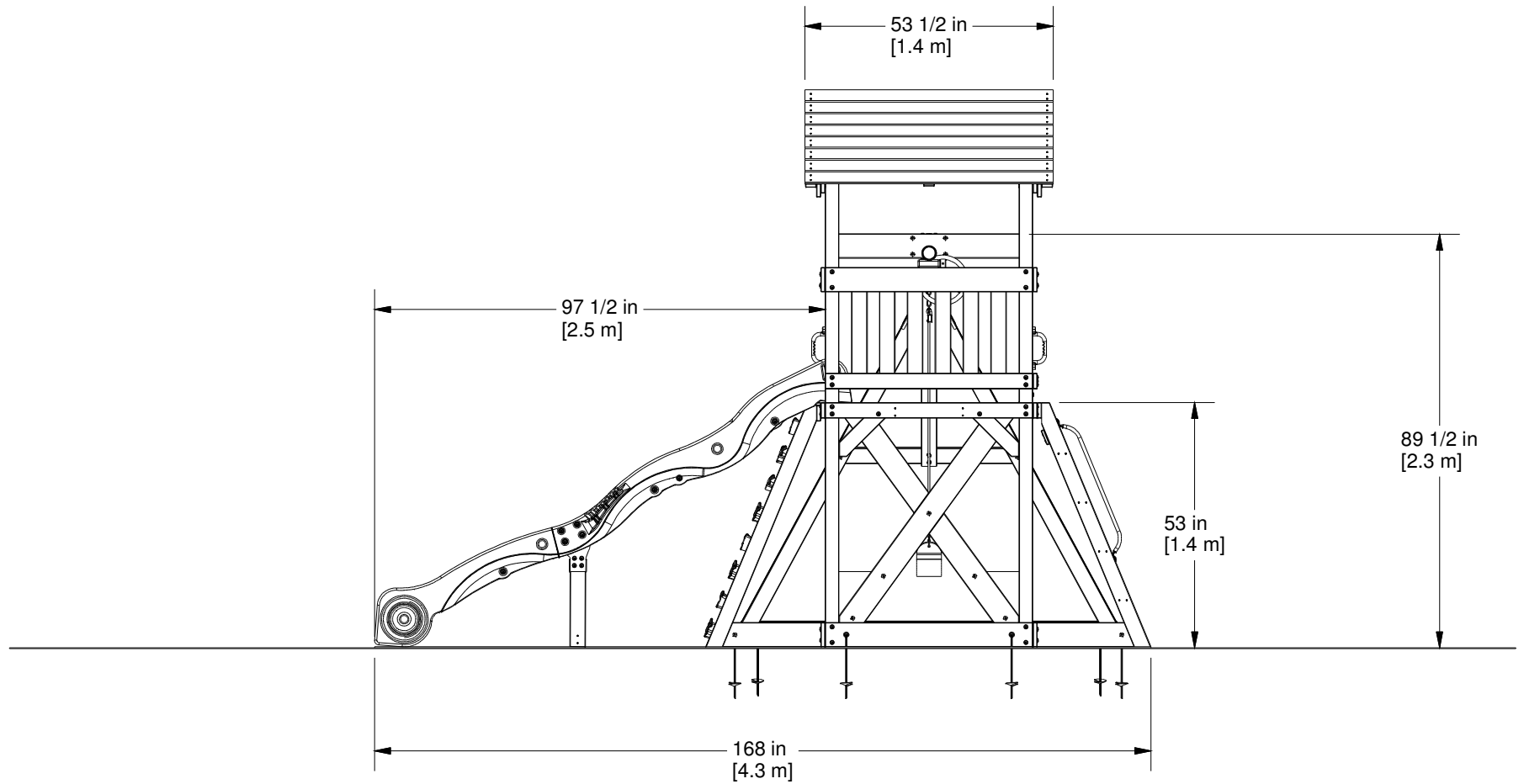


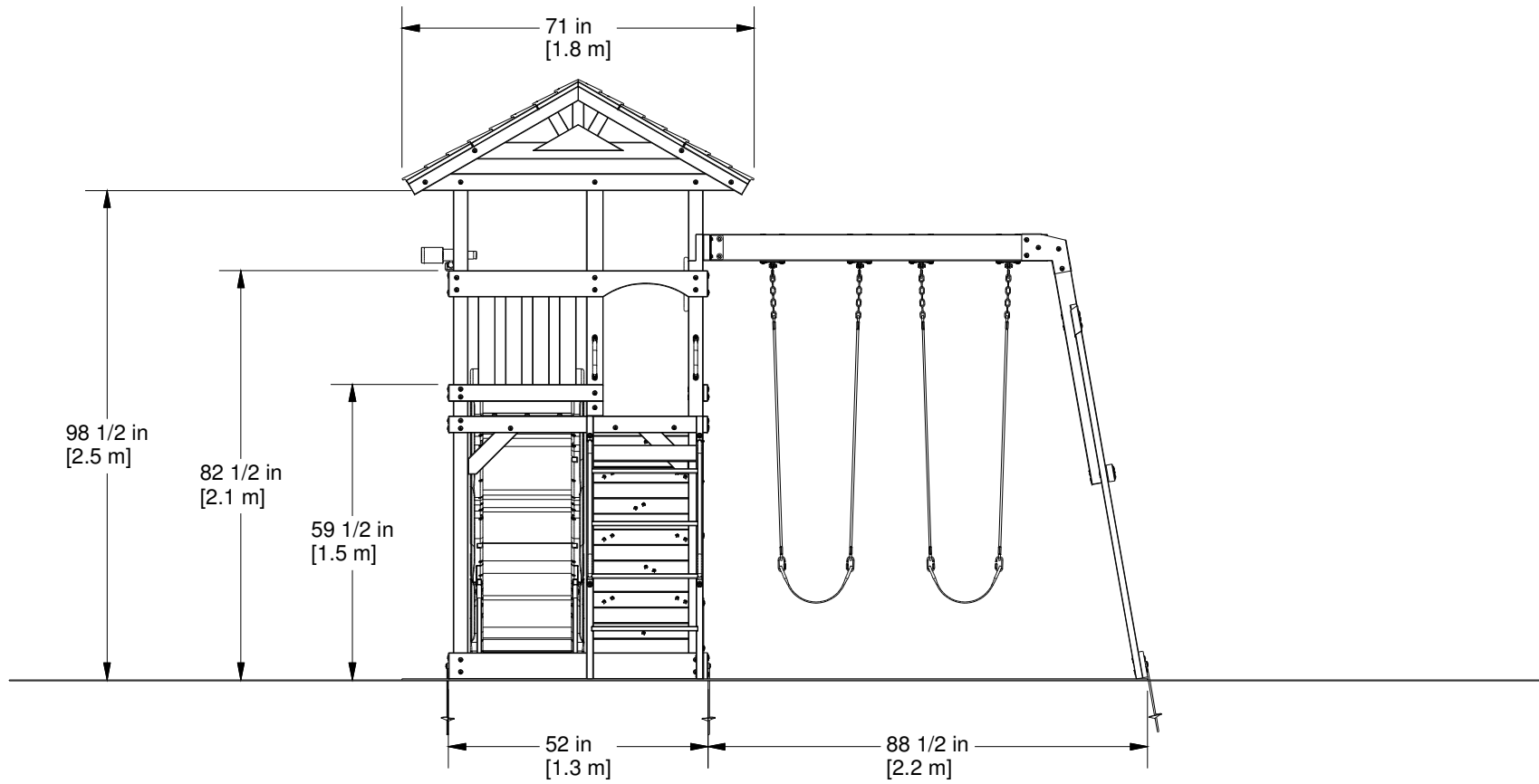
DRAWN BY	wsmalley	DESCRIPTION	PLAYSET
DATE	9/20/2021	PART NUMBER	2200159 LIGHTNING RIDGE FOOTPRINT
		REV	

Part Number
LIGHTNING RIDGE

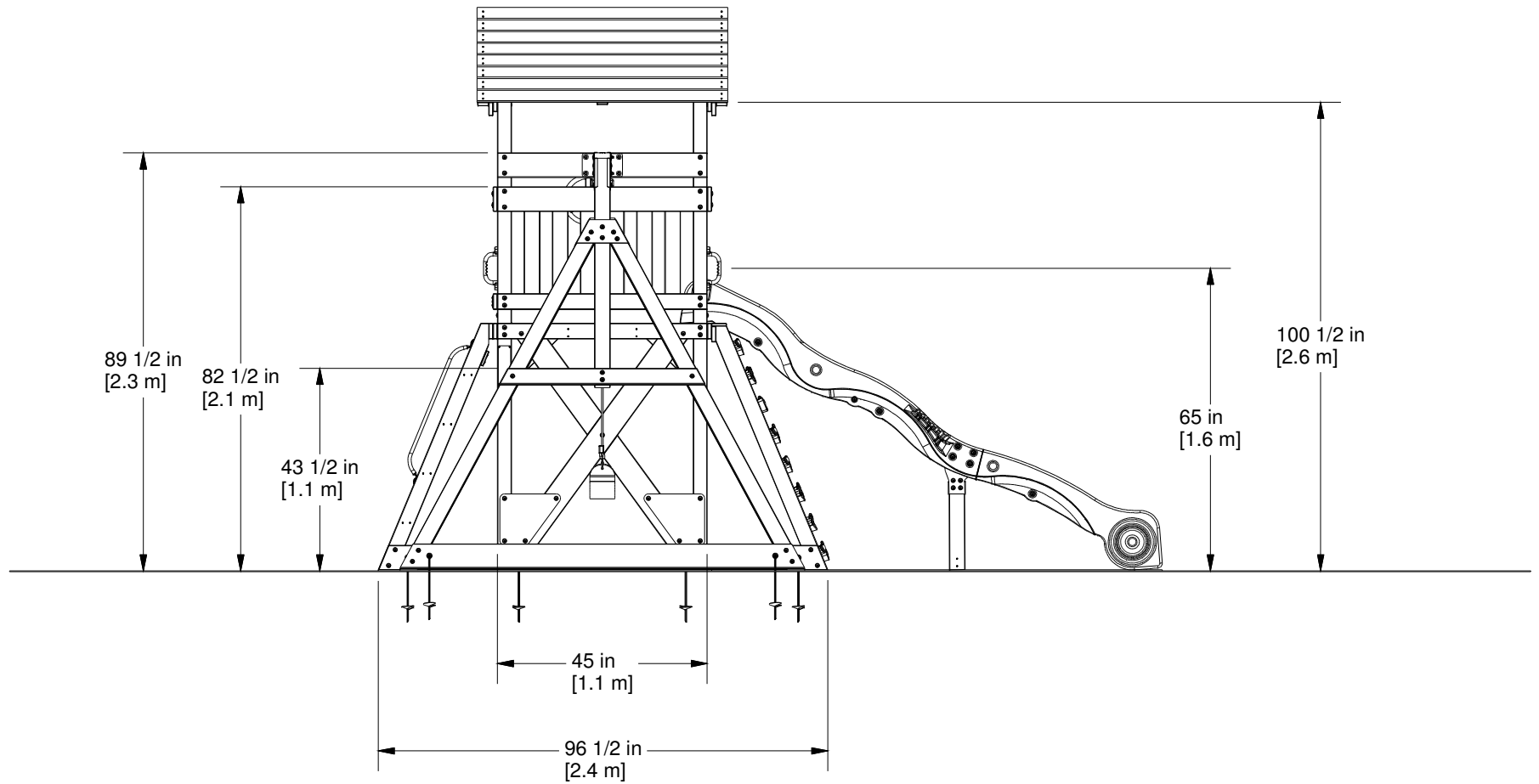
Sheet
2 OF 4



DRAWN BY		DESCRIPTION	
wsmalley		PLAYSET	
DATE	PART NUMBER	REV	
9/20/2021	2200159 LIGHTNING RIDGE FOOTPRINT		



<small>DRAWN BY</small> wsmalley	<small>DESCRIPTION</small> PLAYSET	<small>REV</small>
<small>DATE</small> 9/20/2021	<small>PART NUMBER</small> 2200159 LIGHTNING RIDGE FOOTPRINT	



DRAWN BY	wsmalley	DESCRIPTION	PLAYSET
DATE	9/20/2021	PART NUMBER	2200159 LIGHTNING RIDGE FOOTPRINT
		REV	