



INSTALLATION INSTRUCTIONS

Wine Column

Pour obtenir une version française de ce manuel, visitez notre site web sur monogram.com.

Para consultar una versión en español de este manual de instrucciones, visite nuestro sitio de internet monogram.com.

Safety Information

BEFORE YOU BEGIN

Read these instructions completely and carefully.

- **IMPORTANT** – Save these instructions for local inspector's use. Observe all governing codes and ordinances.
- **Note to Installer** – Be sure to leave these instructions with the Consumer.
- **Note to Consumer** – Keep these instructions with your Owner's Manual for future reference.

If you received a damaged unit, you should immediately contact your dealer or builder.

Skill Level – Installation of this unit requires basic mechanical, carpentry and plumbing skills. Proper installation is the responsibility of the installer. Product failure due to improper installation is not covered under the Monogram Warranty. See the Owner's Manual for warranty information.

WARNING **Electrical Shock Hazard.**

Plug into a grounded 3-prong outlet.

Do not remove the ground prong.

Do not use an adapter.

Immediately discontinue use of a damaged supply cord.

If the supply cord is damaged it must be replaced by a qualified service professional with an authorized service part from the manufacturer.

Do not use an extension cord with this appliance.

Failure to follow these instructions can result in death, fire, or electrical shock.

Follow the instructions in the section Grounding the unit.


This appliance must be installed with a means in the fixed house wiring or circuit breaker for disconnecting the appliance from the electrical supply after installation.

WARNING **Tip Over Hazard.**

These appliances are top heavy, especially with door open, and must be secured to prevent tipping forward which could result in death or serious injury. Read and follow the entire installation instructions for securing the appliance with the anti-tip system.


WARNING **Fire or Explosion Hazard.**

Keep flammable materials and vapors away from appliance. Failure to do so can result in fire, explosion, or death.

 **WARNING** To reduce the risk associated with choking, do not allow children under 3 years of age to have access to small parts during the installation of this product.

CAUTION **Lifting Hazard**

This unit is very heavy. To reduce the risk of person injury during maneuvering and installing this appliance, 3 people are required for proper installation.

 **CAUTION** Wear gloves and arm guards. Failure to do so may result in lacerations. Keep fingers out of the "pinch point" areas; clearances between the doors and between the doors and cabinet are necessarily small. Be careful closing doors when children are in the area.

PROPER DISPOSAL OF YOUR APPLIANCE

Dispose of or recycle your appliance in accordance with Federal and Local Regulations. Contact your local authorities for the environmentally safe disposal or recycling of your appliance.

- Consider recycling options for your appliance packaging material.

Consignes de sécurité

AVANT DE COMMENCER

Veuillez lire toutes ces instructions attentivement.

- **IMPORTANT** – Conservez ces instructions à l'usage de l'inspecteur local. Observez tous les codes et décrets en vigueur.
- **Note à l'installateur** – Assurez-vous de laisser ces instructions au consommateur.
- **Note au consommateur** - Conservez ces instructions avec votre manuel d'utilisation pour consultation ultérieure.

Si vous avez reçu un appareil endommagé, veuillez communiquer immédiatement avec votre revendeur ou votre entrepreneur.

Niveau de compétence – L'installation de cet appareil exige des compétences de base en mécanique, menuiserie et plomberie. La responsabilité d'une installation adéquate relève de l'installateur. La garantie Monogram ne couvre pas les défauts du produit causés par une installation inadéquate. Consultez le manuel d'utilisation pour des renseignements sur la garantie.

AVERTISSEMENT **Risque d'électrocution.**

Branchez l'appareil dans une prise à 3 broches mise à la terre.

N'enlevez pas la broche de mise à la terre.

N'utilisez pas un adaptateur.

Cessez immédiatement l'utilisation d'un cordon électrique endommagé. Si le cordon électrique est endommagé, son remplacement doit être exécuté par un technicien en réparation qualifié au moyen d'un cordon de rechange autorisé par le fabricant.

N'utilisez pas un cordon de rallonge avec cet électroménager. Le non-respect de ces instructions peut occasionner un décès, un incendie ou un choc électrique.

Suivez les instructions de la section Mise à la terre de l'appareil. Le circuit électrique auquel cet électroménager sera raccordé doit comporter un disjoncteur ou un autre dispositif permettant de couper l'alimentation électrique à l'appareil après l'installation.

AVERTISSEMENT **Risque de basculement.**

Ces électroménagers sont lourds du haut, notamment lorsqu'une porte est ouverte, de sorte qu'ils doivent être fixés pour prévenir un basculement vers l'avant susceptible d'occasionner des blessures graves ou la mort. Lisez et observez la totalité des instructions d'installation pour connaître la façon de fixer l'électroménager sur le dispositif antibasculement.

AVERTISSEMENT **Risque d'incendie ou d'explosion.**

Gardez les matières et les vapeurs inflammables à distance de l'électroménager. L'omission de prendre cette précaution peut entraîner un incendie, une explosion ou la mort.

AVERTISSEMENT Pour réduire le risque d'étouffement pendant l'installation de ce produit, ne pas laisser les petites pièces à la portée des enfants âgés de moins de 3 ans.

AVERTISSEMENT **Risque lié à la manipulation d'un objet lourd**

Cet appareil est très lourd. Afin de réduire le risque de blessure pendant la manipulation et l'installation de cet électroménager, la participation de 3 personnes est nécessaire à l'exécution d'une installation correcte.

AVERTISSEMENT Portez des gants et des protège-bras. Le non-respect de cette consigne peut entraîner des lacérations. Gardez vos doigts éloignés des points de pincement. Les espaces entre les portes et ceux entre les portes et l'armoire sont particulièrement restreints. Soyez prudent lorsque vous fermez les portes en présence d'enfants.

MISE AU REBUT ADÉQUATE DE VOTRE ÉLECTROMÉNAGER

Veuillez jeter ou recycler votre électroménager conformément aux règlements fédéraux ou locaux. Communiquez avec les instances locales pour en savoir plus sur la mise au rebut ou le recyclage de votre électroménager.

- Considérez les options de recyclage des matériaux d'emballage de votre électroménager.

Información sobre Seguridad

ANTES DE COMENZAR

Lea estas instrucciones en su totalidad y atentamente.

- **IMPORTANTE** – Conserve estas instrucciones para uso del inspector local. Cumpla con todos los códigos y ordenanzas gubernamentales.
- **Nota para el Instalador** – Asegúrese de que el Comprador conserve estas instrucciones.
- **Nota para el Consumidor** – Guarde estas instrucciones con su Manual del Propietario para referencia futura.

Si la unidad que recibió está dañada, se deberá comunicar de inmediato con su vendedor o fabricante.

Nivel de habilidad – La instalación de esta unidad requiere un nivel básico de habilidades mecánicas, de carpintería y plomería. La correcta instalación del producto es responsabilidad del instalador. Si se producen fallas en el producto debido a una instalación inadecuada, la Garantía de Monogram no cubrirá las mismas. Para obtener información sobre la garantía, consulte el Manual del Propietario.

ADVERTENCIA Riesgo de Descarga Eléctrica

Enchufe en un tomacorriente con conexión a tierra de 3 cables.

No elimine el cable de conexión a tierra.

No use un adaptador.

Inmediatamente interrumpa el uso de un cable de suministro de corriente dañado. Si el cable de corriente se encuentra dañado, su reemplazo deberá ser realizado por un profesional calificado del servicio técnico, utilizando una pieza del servicio técnico autorizada por el fabricante.

No use un prolongador con este electrodoméstico. Si no se siguen estas instrucciones, se podrá producir la muerte, incendios o descargas eléctricas.

Siga las instrucciones que figuran en la sección de Conexión de tierra de la unidad.

Este electrodoméstico deberá ser instalado por algún medio en el cableado fijo del hogar o en un disyuntor para desconectar el electrodoméstico del suministro eléctrico luego de la instalación.

ADVERTENCIA Riesgo de Caídas

Estos electrodomésticos son inestables, especialmente cuando la puerta se encuentre abierta, y deben estar asegurados con el fin de evitar caídas hacia adelante que podrían ocasionar la muerte o lesiones graves. Lea y siga las instrucciones de instalación en su totalidad para asegurar el electrodoméstico con el sistema anti volcaduras.

ADVERTENCIA Riesgo de Incendio o Explosión.

Mantenga cualquier material y vapores inflamables alejados del electrodoméstico. Si no se cumple con esto, se podrá producir una explosión, incendio o la muerte.

ADVERTENCIA A fin de reducir el riesgo asociado con descargas, no permita que los niños menores de 3 años de edad tengan acceso a las partes pequeñas durante la instalación de este producto.

PRECAUCIÓN Riesgo al levantar la puerta

Esta unidad es muy pesada. A fin de reducir el riesgo de lesión de una persona al maniobrar e instalar este electrodoméstico, se requiere contar con 3 personas para una correcta instalación.

PRECAUCIÓN Use guantes y protectores para brazos. Si est o no se cumple, se podrán sufrir laceraciones. Mantenga los dedos fuera de los espacios de "riesgo de lastimaduras"; los espacios entre las puertas y entre las puertas y el gabinete son necesariamente pequeños. Tenga la precaución de cerrar las puertas cuando los niños se encuentren en el área.

FORMA ADECUADA DE DESCARTAR SU ELECTRODOMÉSTICO

Descarte o recicle su electrodoméstico de acuerdo con las Regulaciones Federales y Locales. Comuníquese con las autoridades locales para descartar o reciclar su electrodoméstico de forma ambientalmente segura.

- Tenga en cuenta las opciones de reciclaje del material de embalaje de su electrodoméstico.

Contents

Safety	2	Grilles Installation	
Design Guide		Step 1 Attaching the Upper Grille	37
Supplied Parts and Tools	3	Step 2 Attaching the Lower Grille	37
Accessories/Kits	7	Air Flow Divider Installation	38
Required Parts and Tools	8	Door Top and Side Covers Installation	
Dimensions	9	Step 1 Re-Installing Top Door Cover	39
Installation Preparation		Step 2 Installing Door Panel Side Covers	39
Before Installation		Top Trim and Hinge Pocket Cover Installation	40
Anti Tip Hardware Installation	21	Odor Filter Installation	41
Appliance Preparation	22	Door Swing Reversal (Optional)	42
Door Panel Preparation – Stainless Steel Panel	24	Step 1 Detaching Glass Door	43
Door Panel Preparation – Custom Panel	25	Step 2 Detaching Top Hinge	44
Align Appliance into Cabinetry	28	Step 3 Detaching Bottom Hinge	44
Secure Appliance into Cabinetry	30	Step 4 Moving Sensor Housing and Door Sensor Location	45
Door Panel Installation		Step 5 Re-Attaching Top Hinge To Left Side	46
Step 1 Hanging the door panel	31	Step 6 Re-Attaching Bottom Hinge To Left Side	46
Step 2 Adjusting Door Panel Up / Down	32	Step 7 Changing Top Adapter Bracket on Top of the Door	47
Step 3 Adjusting Door Panel Forward / Backward	32	Step 8 Changing Bottom Adapter Bracket on Bottom of the Door	47
Step 4 Adjusting Door Panel Left / Right	32	Step 9 Reinstalling the Door	47
Step 5 Installing Bottom Panel Bracket	33		
Toe Kick Installation			
Step 1 Adjusting the Toe Kick Mounting Plate Brackets	34		
Step 2 Attaching the Toe Kick Mounting Plate			
Stainless Steel Toe Kick	35		
Custom Toe Kick	36		

For Monogram local service in your area, visit monogram.com or call 800.444.1845.

For Monogram service in Canada, visit monogram.ca or call 800.561.3344.

For Monogram Parts and Accessories, visit monogram.com or call 800.444.1845.

For Monogram Parts and Accessories in Canada, visit monogram.ca or call 800.661.1616.

Pour joindre le service Monogram de votre région, visitez monogram.com ou 800.444.1845.

Pour le service Monogram au Canada, visitez monogram.ca ou 800.561.3344.

Pour le service des Pièces et accessoires Monogram, visitez monogram.com ou 800.444.1845.

Pour le service des Pièces et accessoires Monogram au Canada, visitez monogram.ca ou 800.661.1616.

Para acceder al servicio local de Monogram en su área, visite monogram.com o 800.444.1845.

Para acceder al servicio de Monogram en Canadá, visite monogram.ca o 800.561.3344.

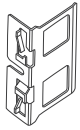
Para acceder a Piezas y Accesorios de Monogram, visite monogram.com o 800.444.1845..

Para Piezas y Accesorios de Monogram en Canadá, visite monogram.ca o 800.661.1616.

Supplied Parts and Tools

INSTALLATION KIT (INTERNAL BOX)

Door Panel Attachment Kit



Side bracket
(12)



Bracket slider
(12)

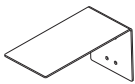


Bracket
spacer (12)



M5x12 Crosshead
screw for custom
door panel (44)

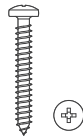
Anti-tip Bracket Assembly Kit



Anti-tip bracket (1)

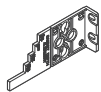


Masonry plug (5)



10-12x35mm
crosshead screw (5)

Unit Securing Fasteners Kit



Depth alignment
gauge (4)

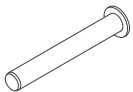


Barbed plug (2)



8Gx16 Countersunk
screw (7)

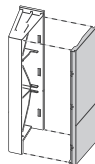
Miscellaneous Parts



Hinge limiting
pin (3)



Air toe kick
seal (1)



Air flow divider
with cap (1)



Odor filters (2)



M8X16 Crosshead
screw (1)

Toe Kick Install Kit

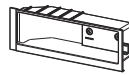


Magnets (4x)

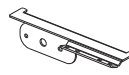


8Gx16 Mush washer
screws (4x)

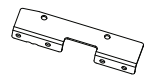
Right-hand To Left-hand Hinge Change Kit



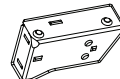
Top hinge pocket
left-hand (1)



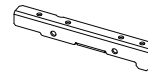
Top alcove bracket
left-hand (2)



Top adapter bracket
left-hand (1)



Bottom hinge bracket
left-hand (1)



Bottom adapter bracket
left-hand (1)

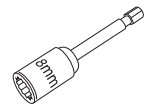
Tools



Spanner



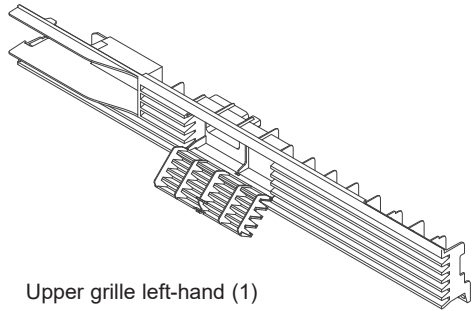
Hex key



Hex bit socket driver

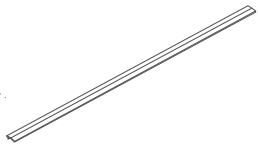
Supplied Parts and Tools

Upper Grille for Changing Hinges from Right-Hand to Left-Hand (External Box Underneath Glass Door)



Upper grille left-hand (1)

Trims Install Kit (External Box Taped to Appliance)



Door panel side cover (2)



Long trim (2x)



Short trim (2x)



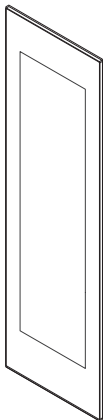
Custom door panel template (1x)

Accessories / Kits

Not supplied and can be purchased separately.

Stainless Steel Door Panel and Toe Kick Kit

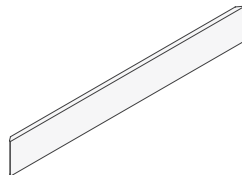
- Right-hand ZK1GN244WRH
- Left-hand ZK1GN249WLH



Stainless steel door panel (1)



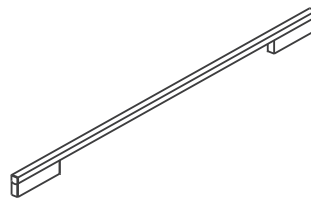
8Gx16 Mush washer screw (32)



Stainless steel toe kick (1)

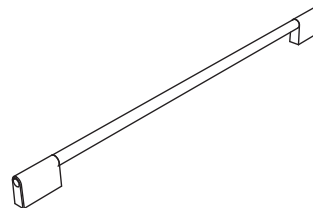
Minimalist Handle Kit

- ZKSP1H1CNSS



Statement Handle Kit

- ZKSP1H1PNSS



Custom Panel Stud Kit Monogram Handles

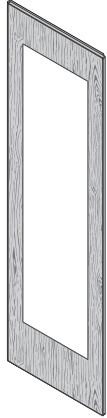
- ZKPN

Required Parts and Tools

Not supplied and must be provided by the customer to match their cabinetry.

Custom Door Panel

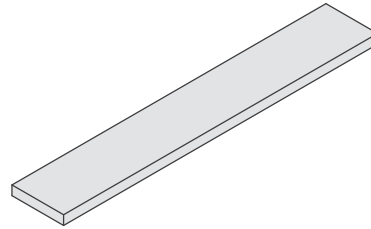
The Custom door panel must leave the glass pane visible. Custom panel CAN NOT COVER GLASS PANE.



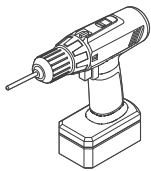
Custom Toe Kick

For Custom door panel installation, a toe kick 2-6" (50 – 152mm) must be fitted and adjusted accordingly. An extra lower grille is required when using 2" (50mm) toe kick height.

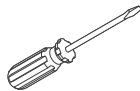
NOTE: The extra lower grille is not supplied with the product and can be purchased separately. Use part # WR13X46927 to order extra lower grille.



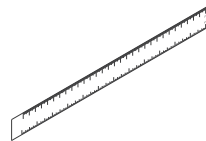
Required tools for installation - Not supplied with the product.



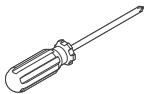
Powered driver



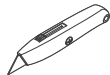
Cross-head screwdriver



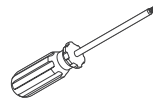
Ruler



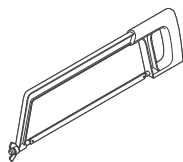
Flathead screwdriver



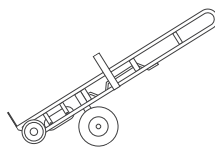
Utility knife (1)



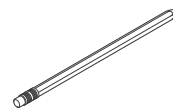
T20 star-head screwdriver
(For releasing / activating hinge spring)



Hacksaw (For cutting air flow divider)



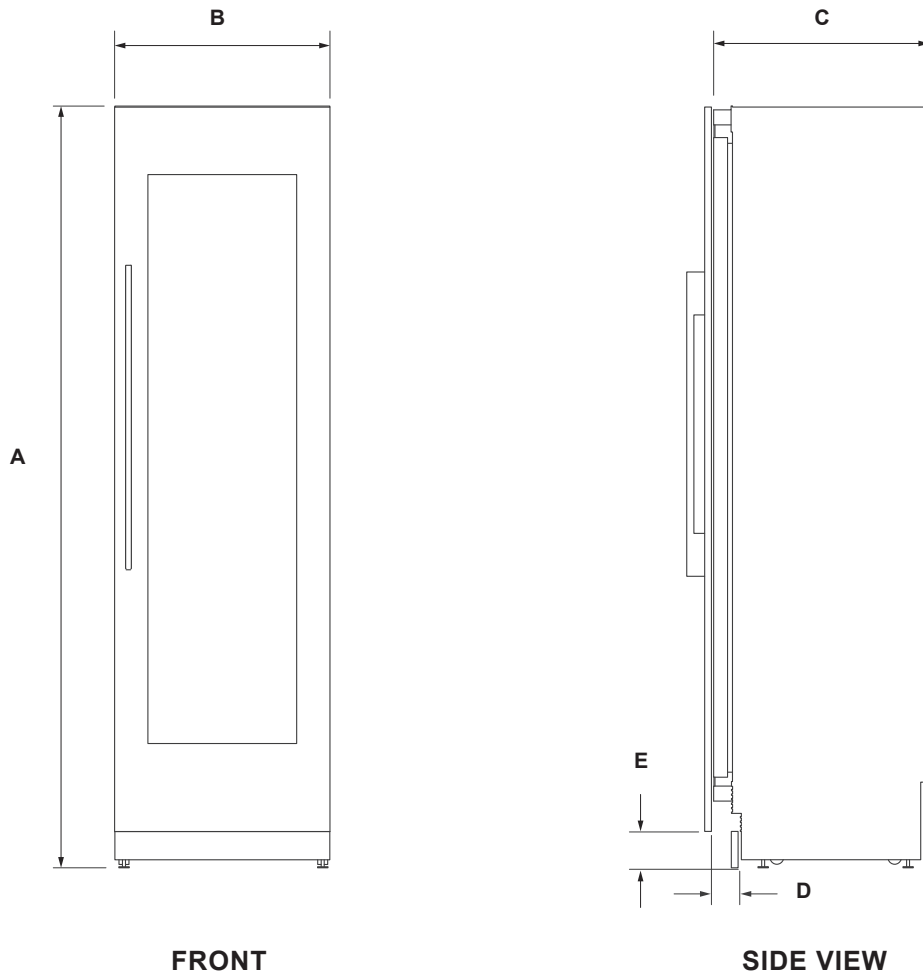
Hand truck



Pencil

Dimensions

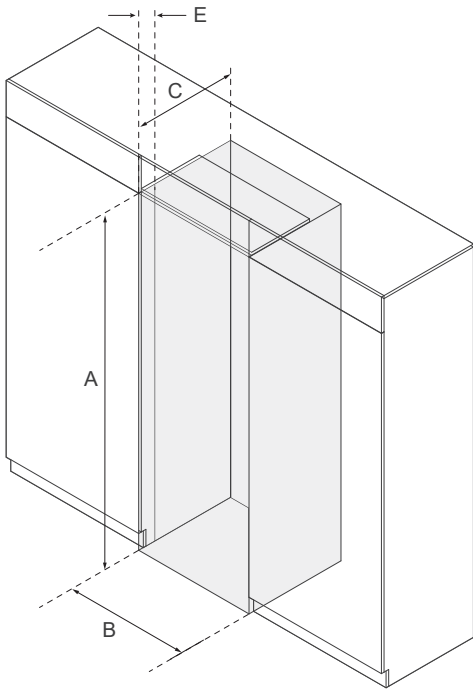
PRODUCT DIMENSIONS



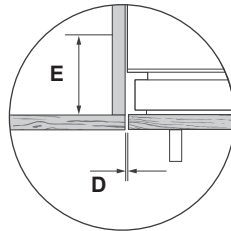
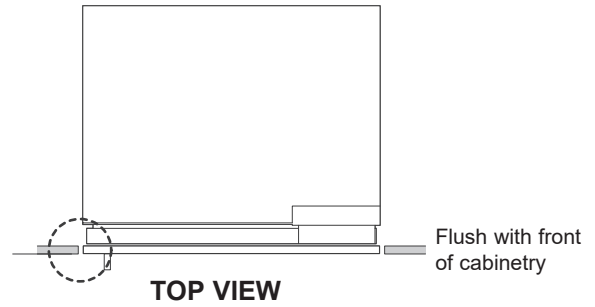
Product Dimensions	in	cm
A Overall height	83 3/4"	212.7cm
B Overall width	23 3/4"	60.3cm
C Overall depth (excluding door panel)	24"	61cm
D Depth of toe kick (measured from back of door panel)	2 7/8" – 4"	7.3 – 10.2cm
E Height from floor to bottom of door panel	4"	10.2cm

Dimensions

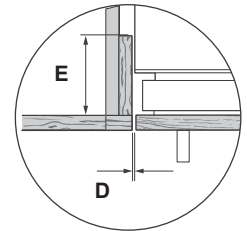
CABINETRY CAVITY DIMENSIONS



**CUT OUT
DIMENSIONS**



Aligns appliance with cabinetry

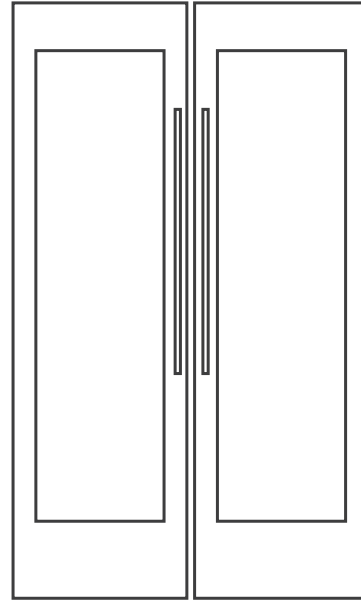
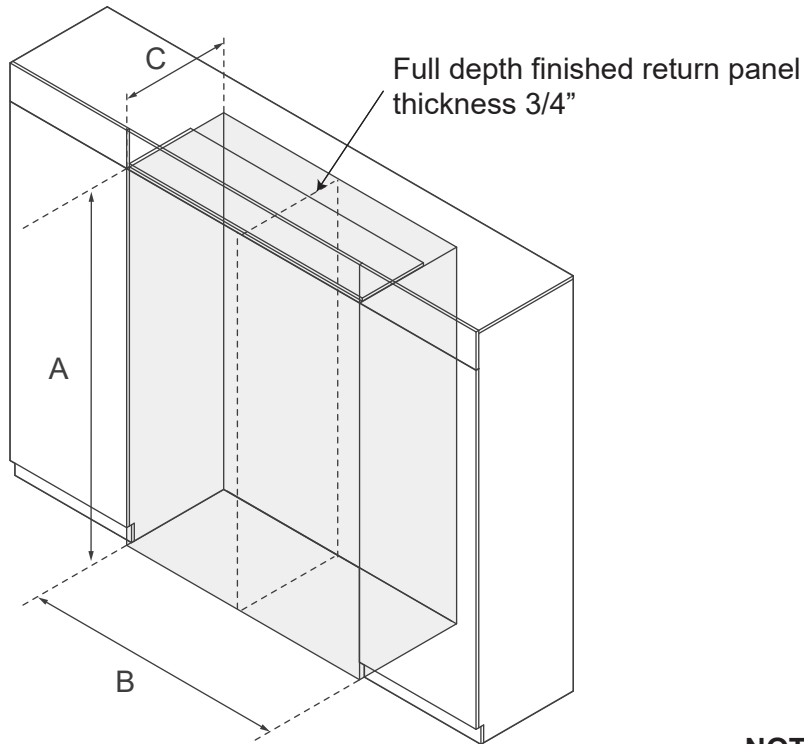


Aligns appliance with
frame of cabinetry

Cabinetry Cavity Dimensions	in	cm
A Overall height of cavity	84"	213.4cm
B Overall width of cavity	24"	61cm
C Minimum overall depth of cavity	25"	63.5cm
D Minimum gap from edge of door panel to cabinetry	1/8"	0.3cm
E Minimum required finished return	4"	10.2cm

Dimensions

CABINETRY CAVITY DIMENSIONS - DUAL INSTALL

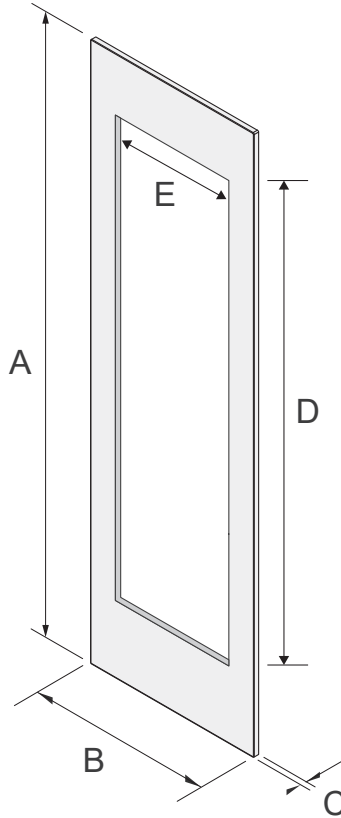


NOTE: Handle to handle installation only.

Cabinetry Cavity Dimensions	in	cm
A Overall height of cavity	84"	213.4cm
B Overall width of cavity	48 3/4"	123.8cm
C Minimum overall depth of cavity	25"	63.5cm
Minimum gap from edge of door panel to cabinetry	1/8"	0.3cm

Dimensions

DOOR PANEL DIMENSIONS



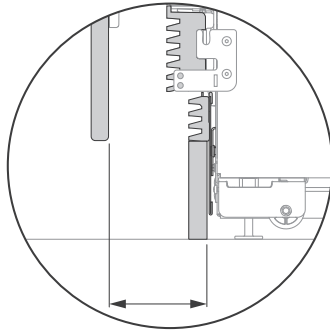
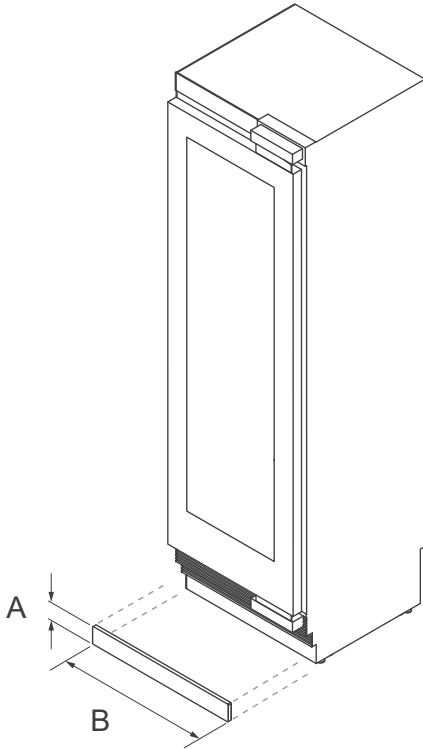
Door Panel Dimensions	in	cm
A Height of door panel *	79 7/8"	202.9
B Width of door panel	23 3/4"	60.3
C Thickness of door panel	3/4"	1.9
D Height of glass panel	62 9/16"	158.9
E Width of glass panel	16 5/16"	41.5

*Stainless steel door panel and custom door panel with 4"-high toe kick.

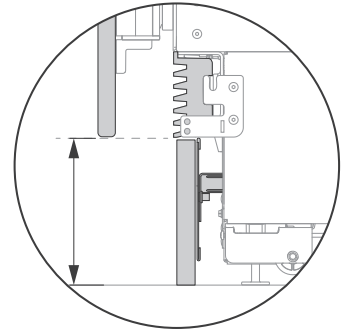
IMPORTANT: Maximum custom door panel weight is 22 lbs. **Do not cover glass.**

Dimensions

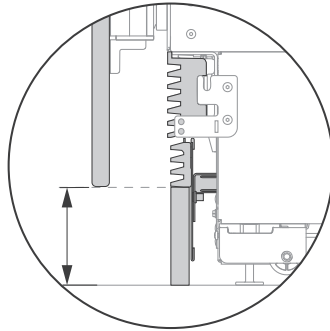
CUSTOM TOE KICK OPTIONS



2 7/8" – 4" (73 – 102mm) toe kick depth measured from rear of door panel
(Toe kick depth position can be adjusted by adjusting the toe kick mounting plate brackets. Refer to 'Toe Kick Installation'.)

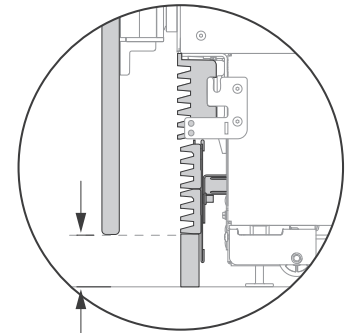


6" (152mm) toe kick height (without lower grille attached)



4" (102mm) toe kick height (standard toe kick height)

NOTE: If Custom Toe Kick height is 4 1/2" to 5", the lower grille is required to be cut. See 'Grilles Installation'.



2" (51mm) toe kick height (with extra lower grille attached)

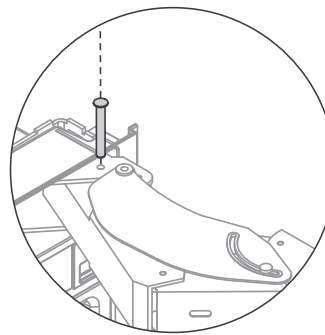
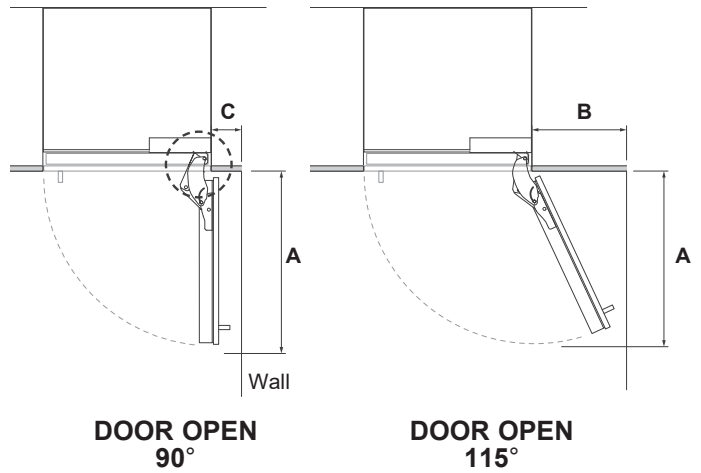
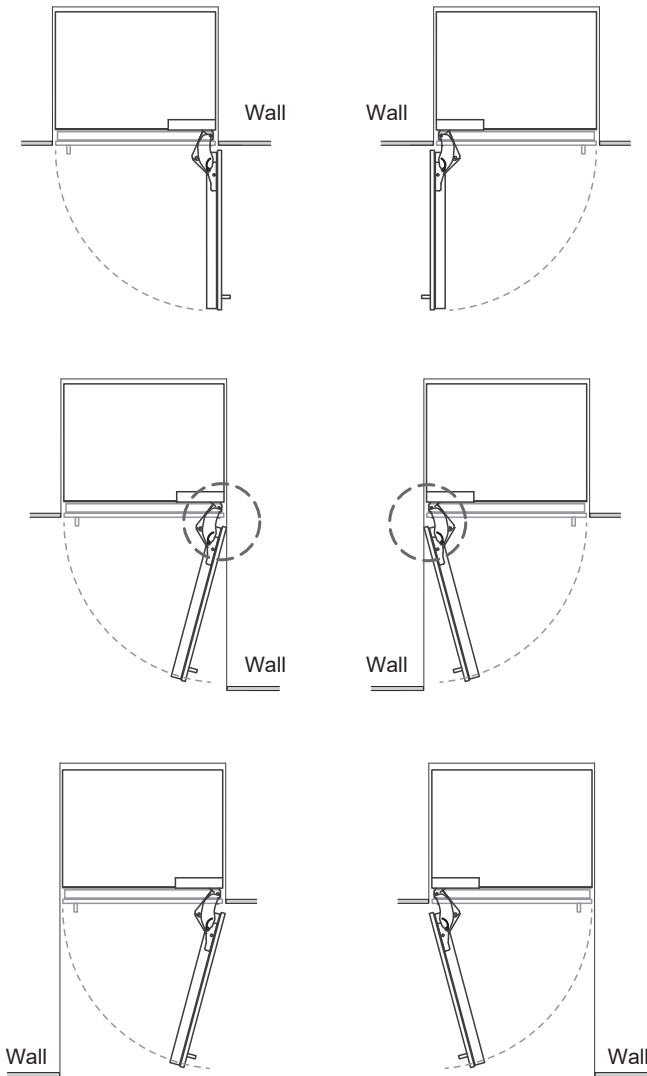
NOTE: The extra lower grille is not supplied with the product and can be purchased separately. Use part # WR13X46927 to order extra lower grille.

Toe Kick Dimensions	in	cm
A Height of toe kick*	4"	10.2cm
B Width of toe kick	23 7/8"	60.6cm

*Standard toe kick height is 4" (102mm).

Dimensions

INSTALLATION OPTIONS



Insert hinge limiting pins

If limiting max door swing to 90° is desired, before pushing the appliance into the cabinetry, insert the supplied hinge limiting pins into the borehole of the top and bottom hinges. Be sure to push inserted pins all the way down before closing door.

The illustrations above show acceptable installation options with reference to the door opening range. Be aware of clashing (circled) of doors or handles. If necessary, use hinge limiting pins to restrict door opening rotation to 90°

NOTE: Product only comes with hinges on the right side. If installation requires door swing to be reversed, follow instructions in the "Door Swing Reversal" section to reverse the door swing BEFORE the unit is removed from the shipping skid and before following the other steps.

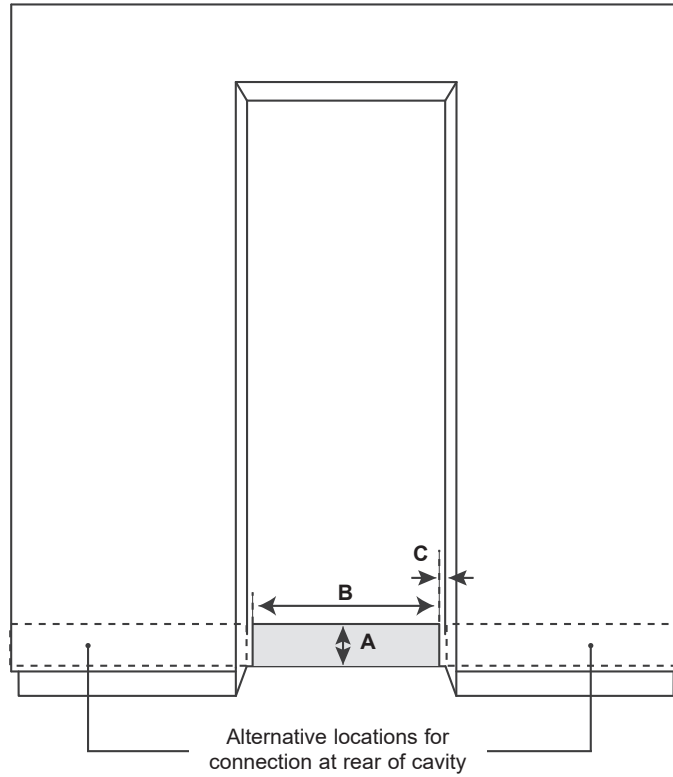
Dimensions are based on handle height of 2 9/16" (6.5cm).

Door Clearance Dimensions	in	cm
A Width of door (door open 90°) measured from front of door	26"	66cm
B Minimum door clearance to adjacent wall (door open 115°)	15"	38.1cm
C Minimum door clearance to adjacent wall (door open 90°)	5 1/4"	13.3cm

Dimensions

ELECTRICAL SPECIFICATIONS

A separate 115 volt 60Hz., 15 or 20 amp power supply is recommended for each product. An individual properly grounded branch circuit or circuit breaker is recommended. Install a properly grounded 3-prong electrical receptacle recessed into the back wall. Electrical is recommended to be behind or adjacent to the unit as shown below.

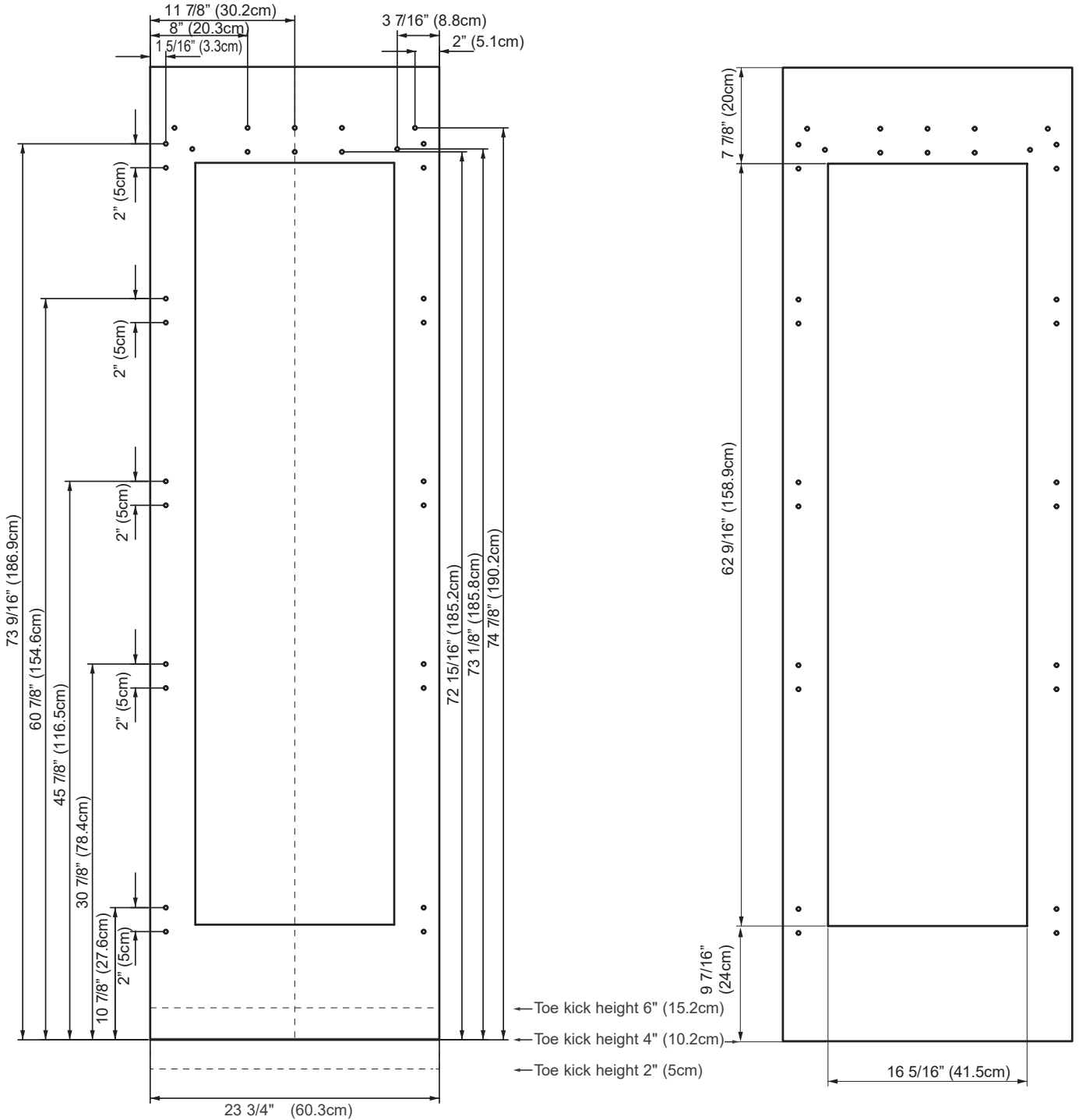


Electrical Supply Area Dimensions	in	cm
A Overall height of supply area	9"	22.9cm
B Overall width of supply area	22"	55.9cm
C Clearance on both sides	1"	2.5cm

Dimensions

CUSTOM DOOR PANEL DIMENSIONS

Custom door panel must leave the glass pane visible. Custom panel CAN NOT COVER GLASS PANE.
 A template is provided in the 'Trims Install Kit'. Follow instructions on the template for drilling pilot holes.



Before Installation

REFRIGERATOR/FREEZER LOCATION

- Do not install the appliance where the temperature will go below 55°F (13°C). It will not run often enough to maintain proper temperatures.
- Do not install the appliance where temperatures will go above 100°F (37°C). It will not perform properly.
- Do not install the appliance in a location exposed to water (rain, etc.) or direct sunlight.
- Install it on a floor strong enough to support it fully loaded.

⚠ WARNING  **Tip Over Hazard.** This appliance is top heavy. Use extreme caution with moving to prevent tipping over which could result in death or serious injury.

⚠ AVERTISSEMENT  **Risque de basculement.**
Cet électroménager est lourd du haut. Utilisez d'extrême prudence en le déplaçant afin de prévenir un basculement susceptible d'occasionner des blessures graves ou la mort.

⚠ ADVERTENCIA  **Riesgo de Caída.**
Este electrodoméstico es inestable. Tenga extremo cuidado al moverlo, a fin de evitar caídas hacia adelante que podrían resultar en la muerte o lesiones graves.

FLOORING

For proper installation, this product must be placed on a level surface of hard material that is at the same height as the rest of the flooring. This surface should be strong enough to support a fully loaded wine column.

NOTE: Protect the finish of the flooring.

NOTE: Not recommended for installation on carpeted flooring.

GROUNDING THE UNIT

⚠ WARNING  **Electrical Shock**

Hazard. Failure to follow these instructions can result in death, fire, or electrical shock.

⚠ AVERTISSEMENT  **Risque d'électrocution**

Le non-respect de ces instructions peut occasionner un décès, un incendie ou un choc électrique.

⚠ ADVERTENCIA  **Riesgo de Descarga**

Si no se siguen estas instrucciones, se podrá producir la muerte, incendios o descargas eléctricas.

The power cord of this appliance is equipped with a 3-prong (grounding) plug which mates with a standard 3-prong (grounding) wall receptacle to minimize the possibility of electric shock hazard from this appliance.

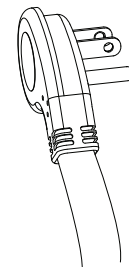
Have the wall outlet and circuit checked by a qualified electrician to make sure the outlet is properly grounded.

Where a standard 2-prong wall outlet is encountered, it is your personal responsibility and obligation to have it replaced with a properly grounded 3-prong wall outlet.

DO NOT, UNDER ANY CIRCUMSTANCES, CUT OR REMOVE THE THIRD (GROUND) PRONG FROM THE POWER CORD.

DO NOT USE AN ADAPTER PLUG TO CONNECT THE REFRIGERATOR TO A 2-PRONG OUTLET.

DO NOT USE AN EXTENSION CORD WITH THIS APPLIANCE.

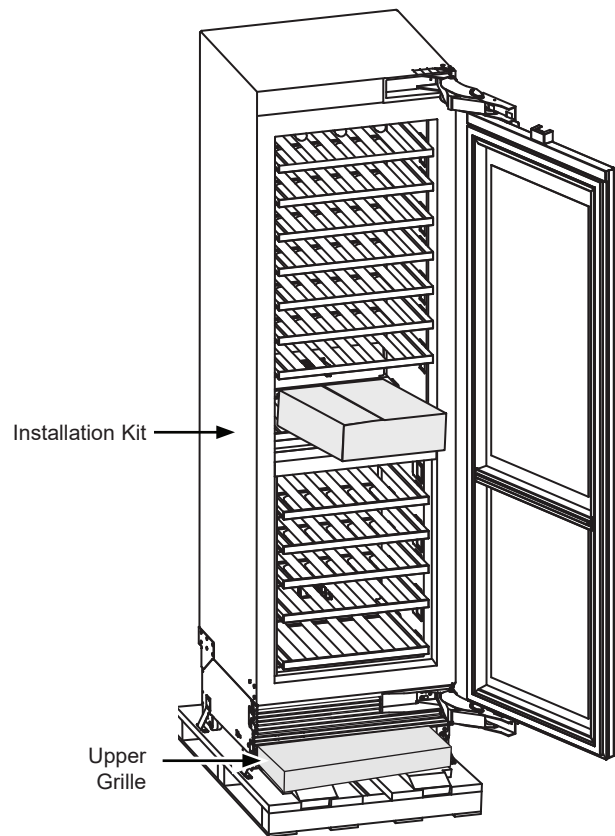
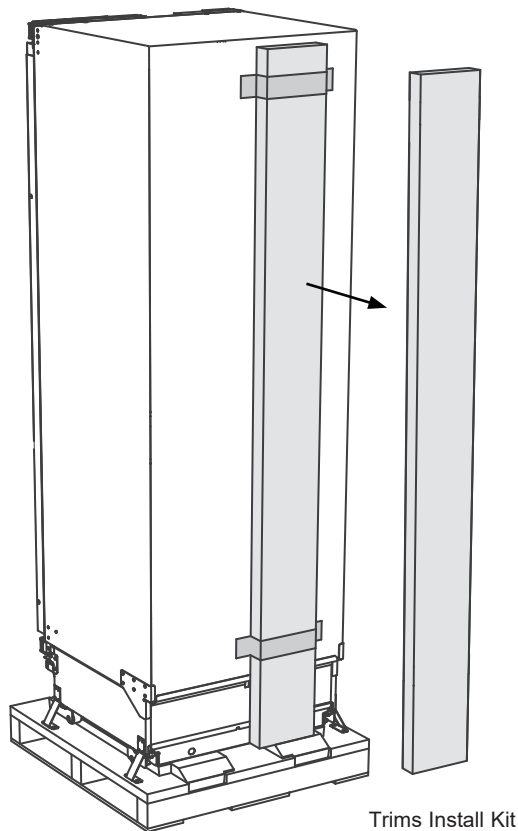


Before Installation

REMOVING PACKAGING

- Remove outer carton and external packing from the wine column.
- There is a box of parts taped to the back of the appliance. These parts will be used during door panel installation. Refer to **TRIMS INSTALL KIT** in the **SUPPLIED PARTS AND TOOLS** section.
- There is a box of parts inside the upper compartment. These parts will be used during installation. Refer to "INSTALLATION KIT" in the "SUPPLIED PARTS AND TOOLS" section.
- There is a box of parts on the front of the appliance underneath the glass door. This box contains an upper grille for changing hinges from right-hand to left-hand. Refer to **SUPPLIED PARTS AND TOOLS** section.

- Inspect for damage.
 - Ensure the flooring that the appliance is set is clean/free of debris that could be collected on to, or pinched in front of the wheels and damaging the floor. Additionally, it is recommended that the floor be protected with a plastic covering through out the installation process.
- NOTE:** Product only comes with hinges on the right side. If installation requires door swing to be reversed, follow instructions in the "Door Swing Reversal" section to reverse the door swing **BEFORE** the unit is removed from the shipping skid and before following the other steps.



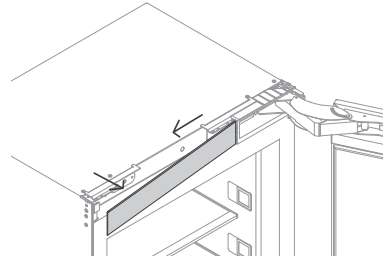
Before Installation

REMOVING PRE-INSTALLED PARTS

Top Trim

Disengage one end of the top trim from dual lock strips on the non-hinge side.

Slide the top trim out from the top hinge pocket.

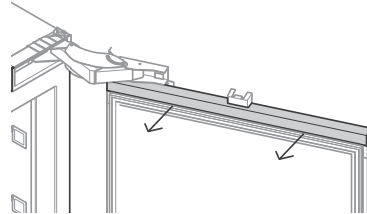


Top Door Cover

Remove the end caps of the top cover carefully from both ends of the cover by raising top cover end slightly and slide end cap sideways.

Unclip and release the center of the cover from underneath the magnet housing on the door to remove the cover.

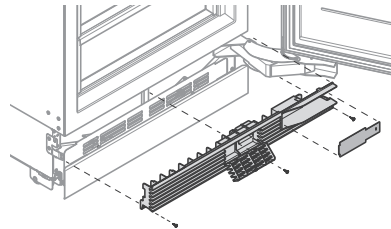
Ensure the magnet remains in place and not damaged as this will affect the operation of the appliance.



Upper Grille

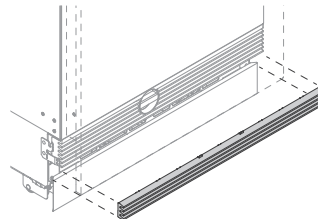
Remove bottom hinge pocket cover using a flat head screwdriver in the slot.

Open the center hatch on the upper grille by pushing the upper part of the hatch once to unclip and unscrew the #8x16 screw. Remove the upper grille by unscrewing the #8x16 screws from both ends of the grille.



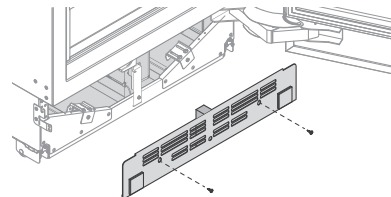
Lower Grille

The lower grille is detachable via magnets.



Toe Kick Mounting Plate

Remove the screws to detach the toe kick mounting plate.



Set aside all the removed parts to reuse later.

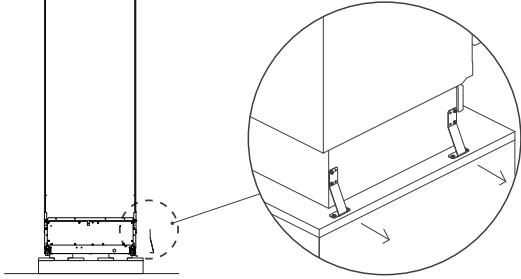
Before Installation

MOVING YOUR APPLIANCE

Be careful when tilting the appliance forward/backward. Tape the door shut to prevent opening while moving. You need at least two persons to move this appliance.

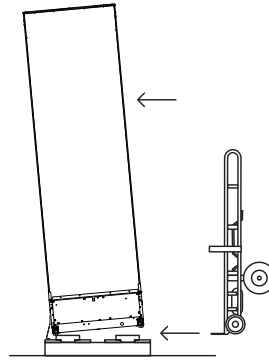
1

Remove the brackets from the non-hinge side of the pallet.



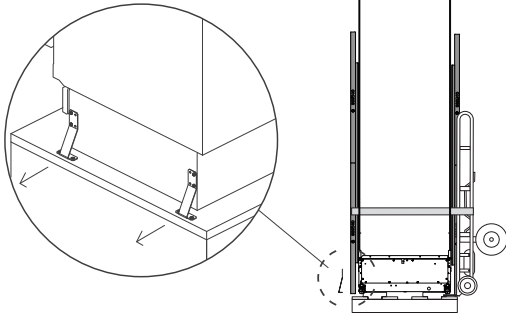
2

Tilt the appliance slightly forward and insert hand truck between pallet and the appliance.



3

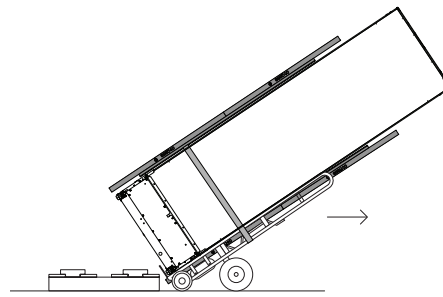
Restrain the appliance with strap and remove the remaining brackets.



4

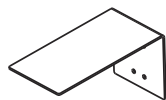
Tilt backward to load the appliance onto the hand truck and set aside the pallet.

Push the hand truck to the installation location.



ANTI TIP HARDWARE INSTALLATION

Anti-tip Bracket Assembly Kit



Anti-tip bracket (1x)

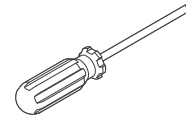


Masonry plug (4x)

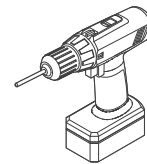


#10x35 cross-head screw (4x)

Required Tools



Cross-head screwdriver



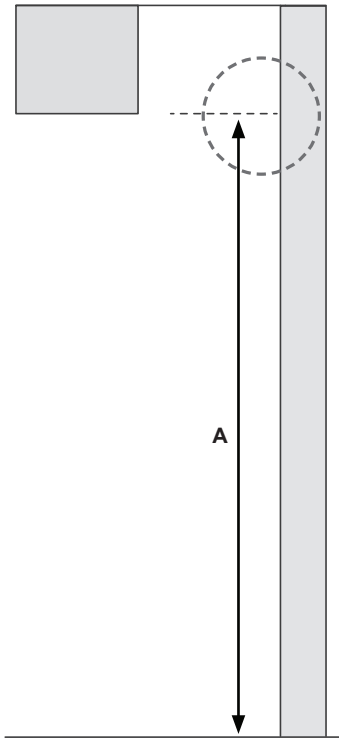
Powered driver



Pencil

Anti Tip Hardware Installation

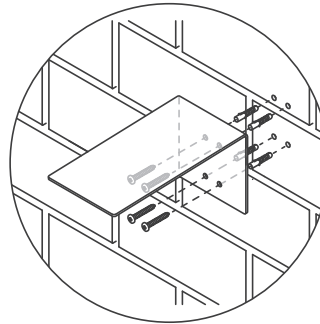
ATTACHING THE ANTI-TIP BRACKET



1

Measure the height (**A**) of the attachment location from the floor to the alcove return.

- The height (**A**) must not exceed 84 3/16" (213.8cm) to ensure the appliance does not tip over during installation.

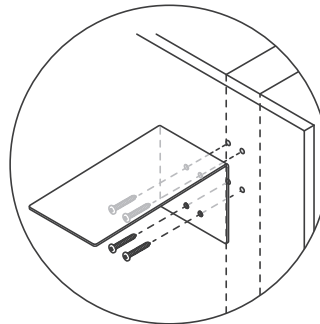


4

For solid wall installation

Drill holes suitable to the size of the masonry plugs.

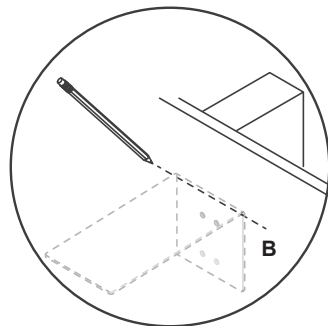
Hammer 10x30mm masonry plugs into wall until flush. Fix bracket to wall with #10x35mm cross head screws, and screw tightly.



5

For plaster board wall

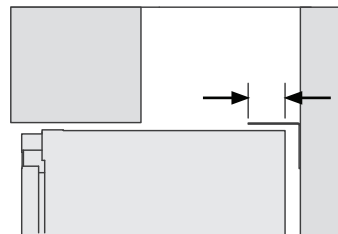
Fix the anti-tip bracket to the wall with #10x35mm cross head screws, and screw tightly with a screwdriver.



2

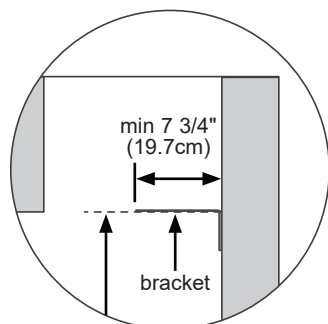
Mark a horizontal line (**B**) at the back wall.

- Ensure there is a stud behind the wall.



When rolling the appliance into the cabinetry, ensure the anti-tip bracket overlaps the back edge of the appliance.

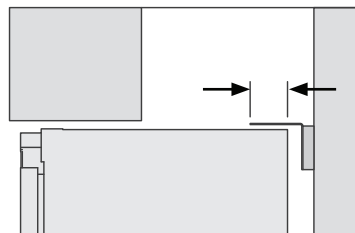
- The bracket must overlap the appliance by a minimum 7 1/16" (18cm) for a secure hold.



3

Place the bracket to the backwall. Align the undersurface of the bracket along the marked line.

Mark screw hole locations, and drill screw holes with powered drill.




If minimum 7 1/16" (18cm) overlap cannot be achieved, install a solid spacer to the wall stud behind the bracket

- Be careful not to run over the power cord when rolling in the appliance.

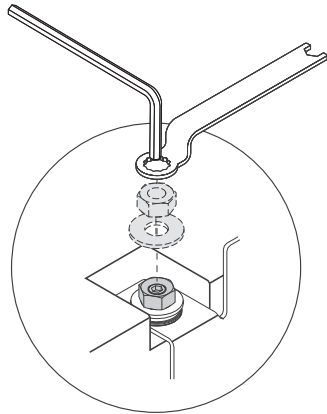
Appliance Preparation

STEP 1 REMOVING THE HANGING BRACKET

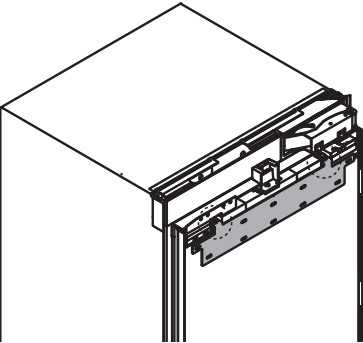
Required Tools



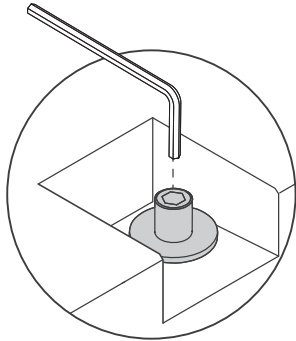
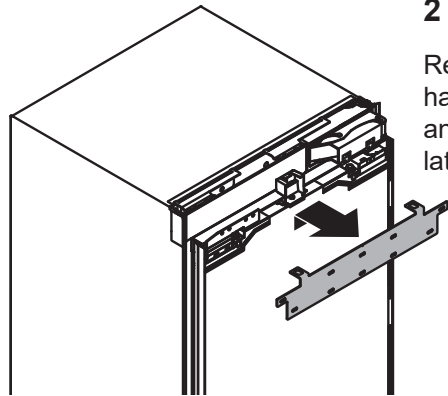
Hex key Spanner



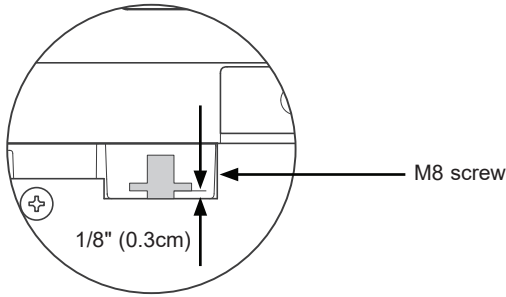
1
Remove the M8 nut and M8 washer from the M8 screw at the top of the door using the supplied hex key and spanner.



2
Remove the top hanging bracket and set aside to use later.

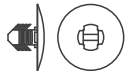


3
Loosen the M8 screws by 1/8" (0.3cm).

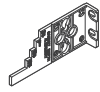


Appliance Preparation

Unit Securing Fastener Kit

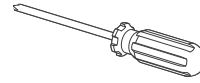


Barbed plugs (2x)



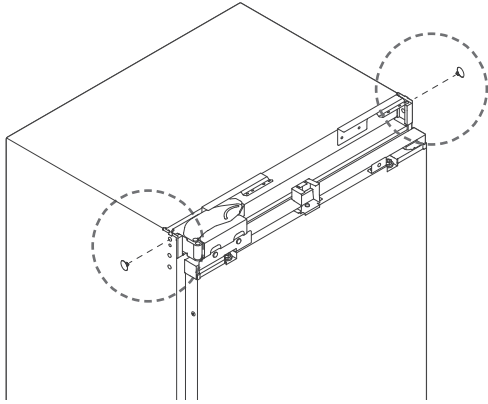
Cabinet depth alignment gauge (4x)

Required Tools

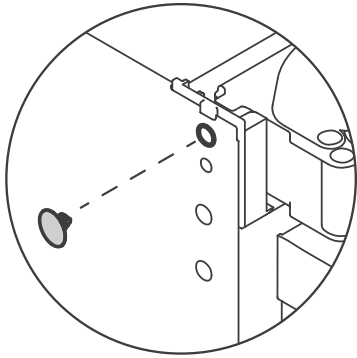


Cross-head screwdriver

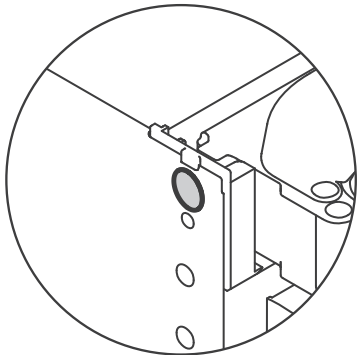
STEP 2 ATTACHING THE BARBED PLUGS



Illustrations may differ from your purchased appliance.

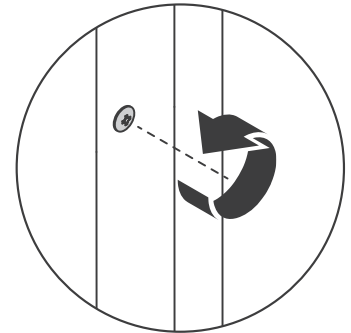
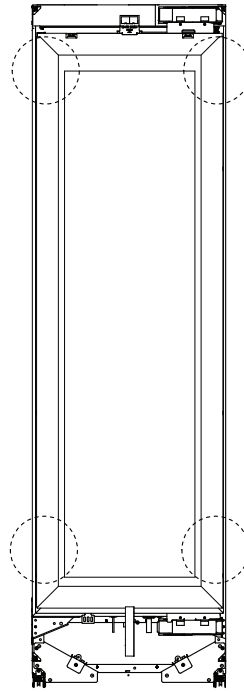


Before rolling into the cavity, insert a barbed plug into the large holes at the top right and left sides of the appliance.



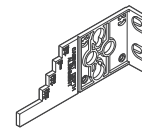
The plugs protect the inside surface of cabinetry from being damaged by screws when pushing in the appliance.

STEP 3 ATTACHING THE DEPTH ALIGNMENT GAUGES

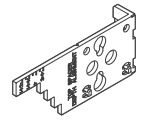


Loosen the right and left screws at the top and bottom sides of the door.

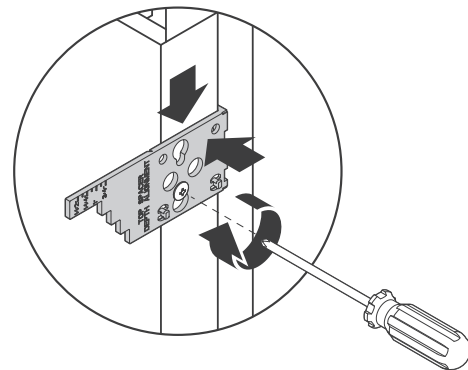
Locate the alignment gauges at correct orientation to the right and left screws.



Left



Right







Place the alignment gauge by inserting the screw head through the keyhole of the gauge.

Push the alignment gauge down to lock the position.

Tighten the screw just enough to firmly hold the gauge.

- The alignment gauges are only temporary and must be removed after installation.

Door Panel Preparation – Stainless Steel Panel

Door Panel Attachment Kit			Screws	Required Tools
			From stainless steel door panel and toe kick kit	
Side bracket (10x)	Bracket slider (10x)	Bracket spacer (10x)	8Gx16 Mush washer screw (30x)	Powered driver - Cross-Head

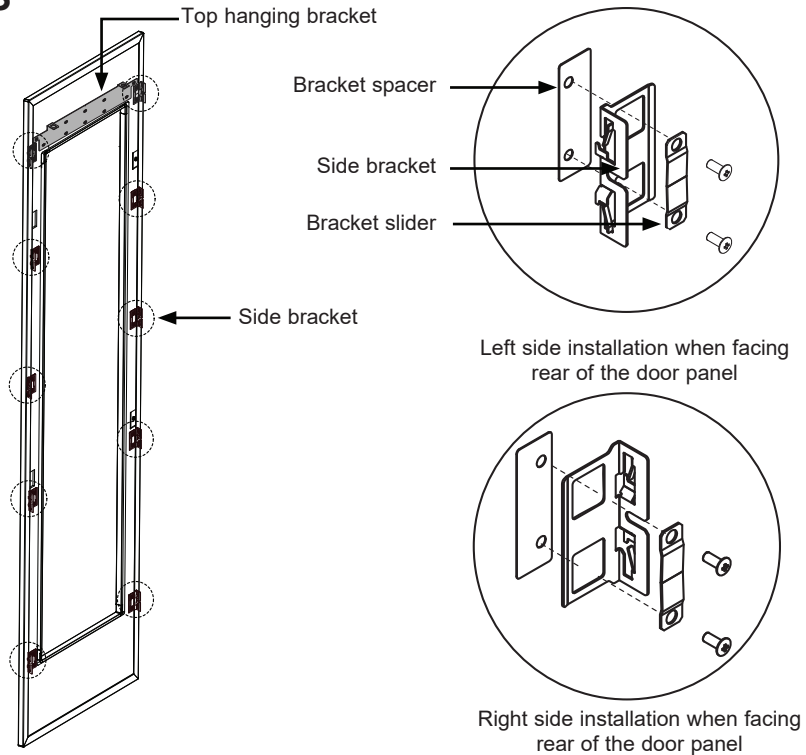
ATTACHING THE BRACKETS

Remove the blue tape attached to the inner edges of the door panel before attaching the brackets.

Peel protection film away from the inner edges to avoid trapping under the brackets.

Secure the top hanging bracket to the screw holes of the door panel with 8Gx16 Mush washer screws (10x).

Secure the bracket spacer, side bracket and bracket slider (in order as illustrated) to the screw holes on both sides of the door panel with 8Gx16 mush washer screws (20x). The side bracket should be able to move freely horizontally and vertically.



ATTACHING MINIMALIST / STATEMENT HANDLE

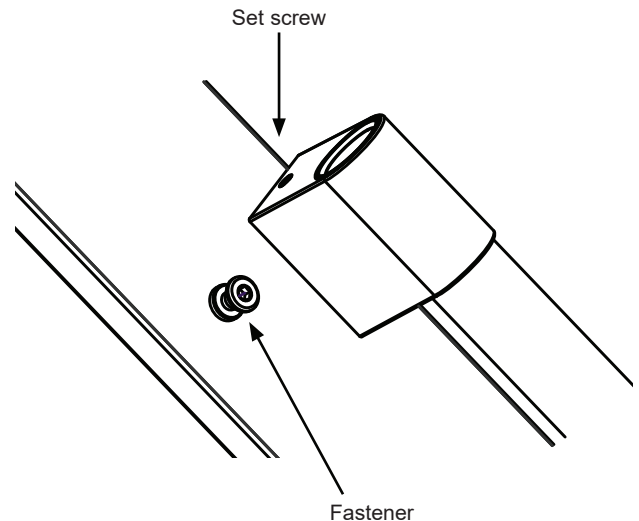
Remove the protective film around the handle attachment area before installing the handle. Protect the finish of the door panel to avoid damage or scratches to the surface.

Make sure the set screws in the handle caps are loosened. Place the handle over the fasteners on the door. Take care to support the handle so it doesn't fall and scratch the appliance finish. Make sure both of the handle caps are resting on the face of the door.

Lock one end of the handle into position by tightening the set screw in the handle cap with the Allen wrench provided in the handle kit. Be sure not to over tighten.

Keep supporting the handle as you lock the other end of the handle into position by tightening the set screw in the handle cap with the Allen wrench. Be sure not to overtighten.

NOTE: 1/8" Allen Wrench is included in handle kit.



Door Panel Preparation – Custom Panel

Door Panel Attachment Kit

Required Tools



Side bracket (10x)



Bracket slider (10x)



Bracket spacer (10x)



M5x12 cross-head screw (44x)



Powered driver

ATTACHING THE BRACKETS

Refer to 'Custom Door panel dimensions' for correct screw hole positions on the door panel. The custom panel must be $\frac{3}{4}$ " (1.91cm) thick.

NOTE: We recommend that decorative panel has inside corners and edges rounded or beveled by cabinet maker to avoid sharp edges. Edges to be treated should include the top, bottom and hinge side edges.

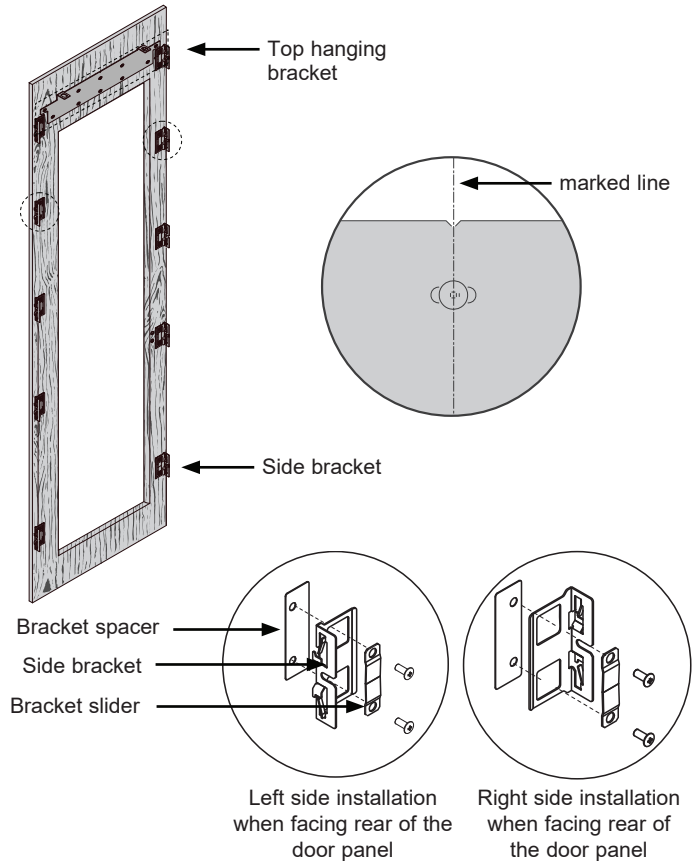
NOTE: The back side of the panel is recommended to be finished. Portions of the back side of the panel will be visible when the door is open.

Mark a line across the center of the custom door panel.

Align the 'V' notch at the top of the bracket to the center line.

Secure the top hanging bracket to the screw holes of the custom door panel with M5x12 cross-head screws.

Secure the bracket spacer, side bracket and bracket slider (in order as illustrated) to the screw holes on both sides of the door panel with M5x12 cross-head screws. The side bracket should be able to move freely horizontally and vertically.

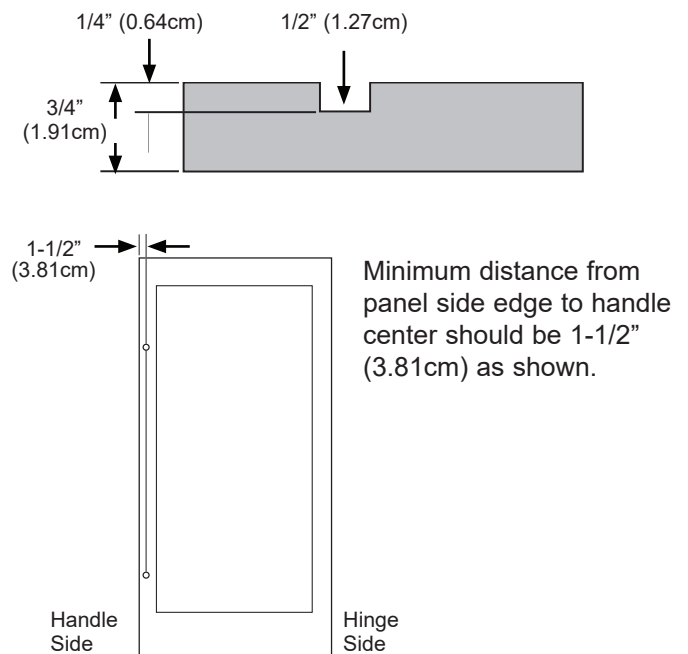


ATTACHING THE HANDLE

Care should be taken to avoid handle holes clashing with door panel top hanging bracket and side brackets. Refer to 'Custom Door panel dimensions' for correct screw hole positions on the door panel.

Custom panel requires a custom handle from a cabinet maker or the use of the ZKPN - Handle Mounting Kit (sold separately) if you are using the Monogram Statement or Minimalist handles (sold separately). For custom handle installation, counter-bore holes in rear of the decorative panel. Ensure $\frac{1}{2}$ " (1.27cm) material thickness remains for handle support.

NOTE: The counter-bore must not exceed 1" (2.54 cm) in diameter.



Door Panel Preparation

Trims Install kit



Long trim (2x)



Short trim (2x)

Required Tools



Utility Knife

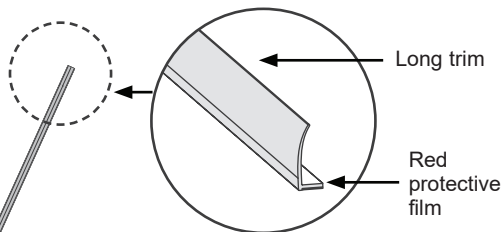
ATTACHING THE LONG GLASS TRIMS

Glass trims are attached to cover the gap between door panel and glass panel.

Stainless steel door panel: Peel door panel protection film away from the inner flanges before installing glass trims.

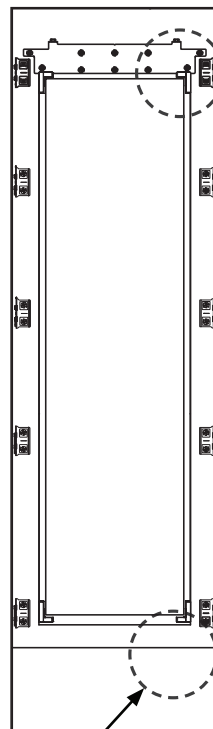
NOTE: Trims come longer than required. They will need to be cut to the correct length as shown in step 3.

1



Peel off a small portion of red protective film from one end of the long trim.

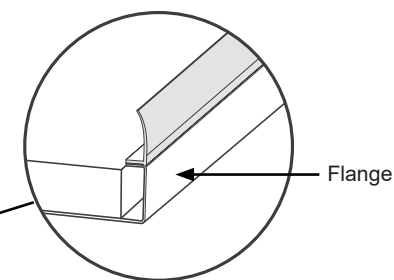
2



Attach the peeled portion of the trim starting from the top of the flange on one side of the door panel cutout.

- Ensure the trim does not overlap the hanging bracket.

Align the trim flush with inside edge of the flange.

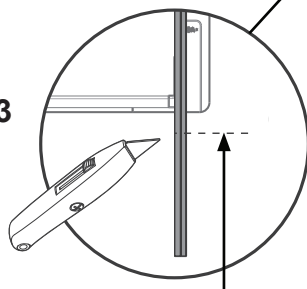


Continue attaching the long trim for the length of the door panel cutout, peeling off the film as you go.

Cut-off the excess length of the bottom end of the long trim.

Repeat all steps on the other side of door panel cutout.

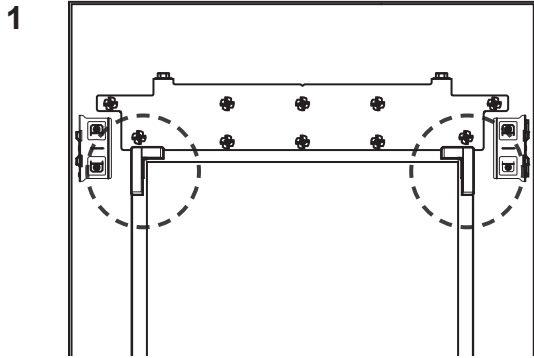
3



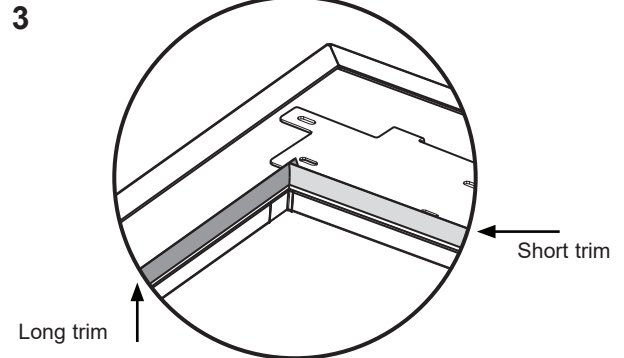
Cut excess length of trim along this line

Door Panel Preparation

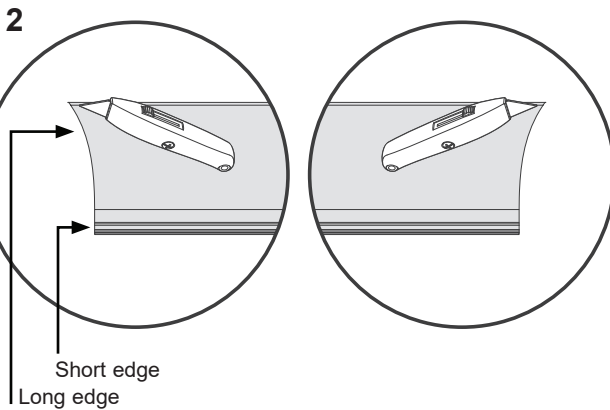
ATTACHING THE SHORT GLASS TRIMS



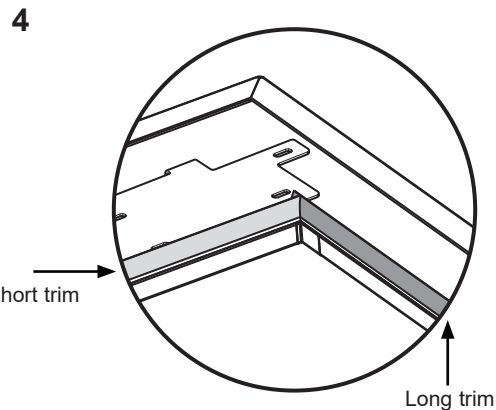
Place the short trim along the length of the top of door panel cutout across the top ends of the long trims.



Attach the peeled portion starting from one end of flange perpendicular to top end of long trim.



Cut both ends of the short trim to length.
Peel off a small portion of red protective film from the short edge.



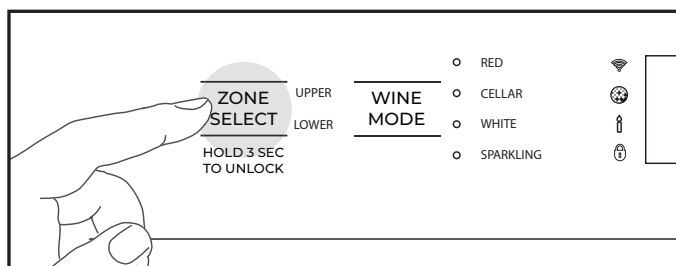
Continue attaching the short trim for the length of the top of door panel cutout, peeling off the film as you go.
Ensure the trim is aligned flush to inside edge of flange.
Attach the remaining peeled portion of short trim to the flange perpendicular to top end of the other long trim.
Repeat steps 1–4 to the bottom of door panel cutout.

REQUIRED: CONNECTING TO POWER SUPPLY

At the back of your appliance, connect the power plug to the power outlet (115VAC, 60Hz).

- You will hear a chime sound when the appliance is powered on.

When powered on for the first time, your appliance will default to Install mode.

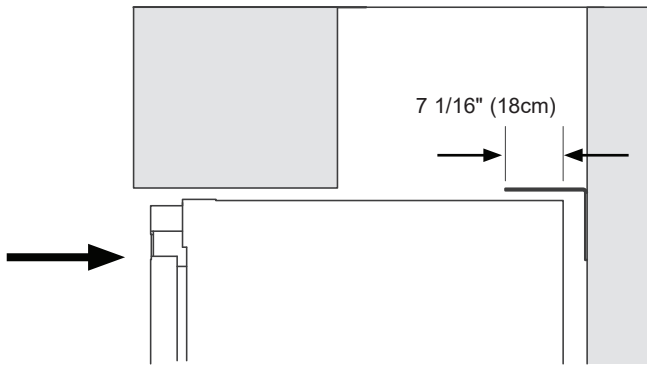


Once installation is complete, activate the appliance by pressing **ZONE SELECT** on the control panel for 4 seconds to start cooling. **NOTE:** If this is not done, the unit will not cool.

- Refer to your 'Owner's Manual' for more information on activating your appliance.

Align Appliance into Cabinetry

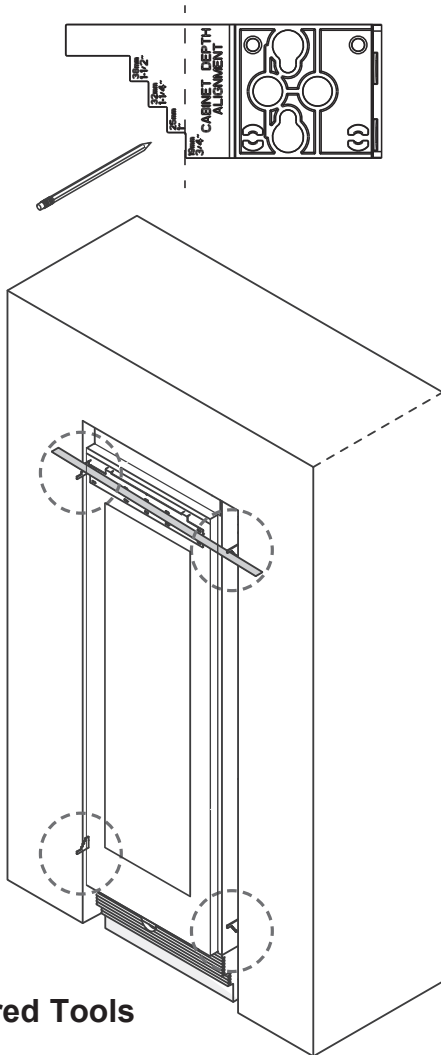
PUSHING INTO THE CABINETRY



Roll the appliance carefully into the cabinetry until the anti-tip bracket overlaps the back edge of the appliance.

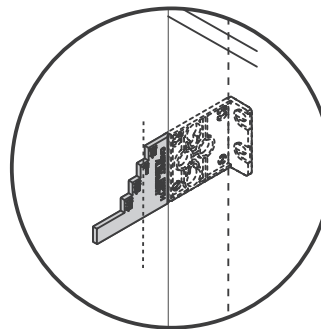
- Ensure the bracket overlaps the appliance by a minimum 7 1/16" (18cm) for a secure hold.
- Be careful not to run over the power cord when rolling in the appliance.

ALIGNING THE DEPTH GAUGES

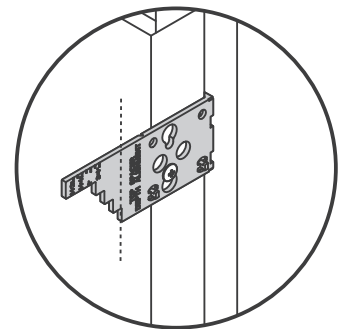


On the 'Cabinet depth alignment' side of the depth gauges, mark the step on both sides of the door based on the thickness of the door panel.

- Example illustration show the door panel thickness 3/4" (1.9cm) marked on the gauges.

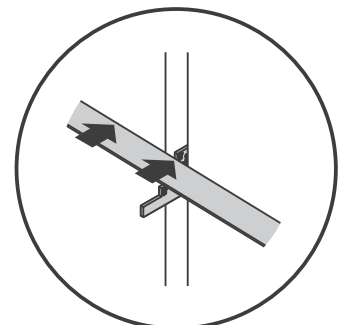
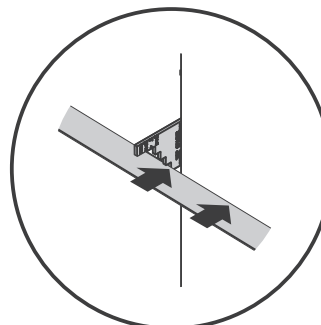


Left



Right

Check if the gaps between appliance and cabinetry side walls are even on left and right sides.

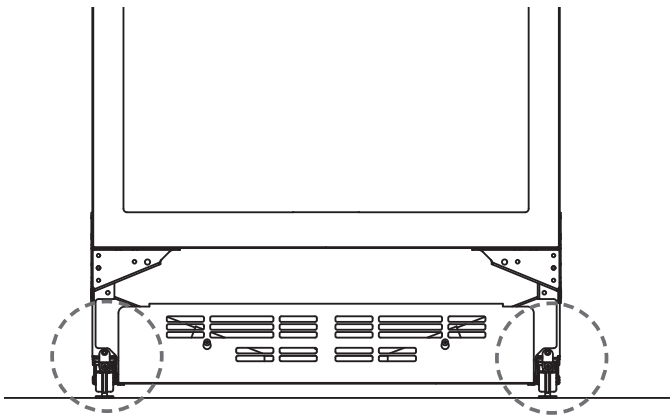


Required Tools

- Ruler
- Pencil

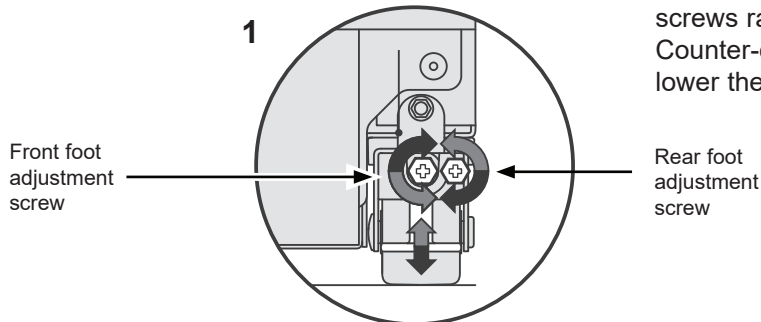
Align Appliance into Cabinetry

ADJUSTING THE ALIGNMENT IN THE CABINETRY

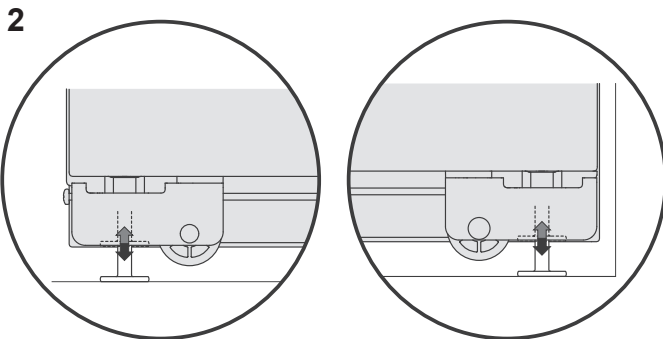


Required Tools

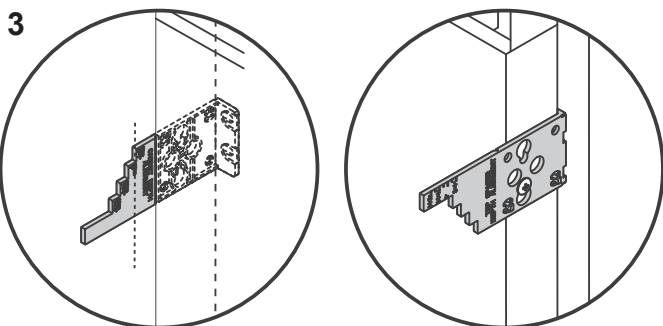
- Cross-head screwdriver
- Powered driver (optional)
- Hex-bit socket driver (optional)



Clockwise turn of the front and rear adjustment screws raise the height of the appliance. Counter-clockwise turn of the adjustment screws lower the height of the appliance.



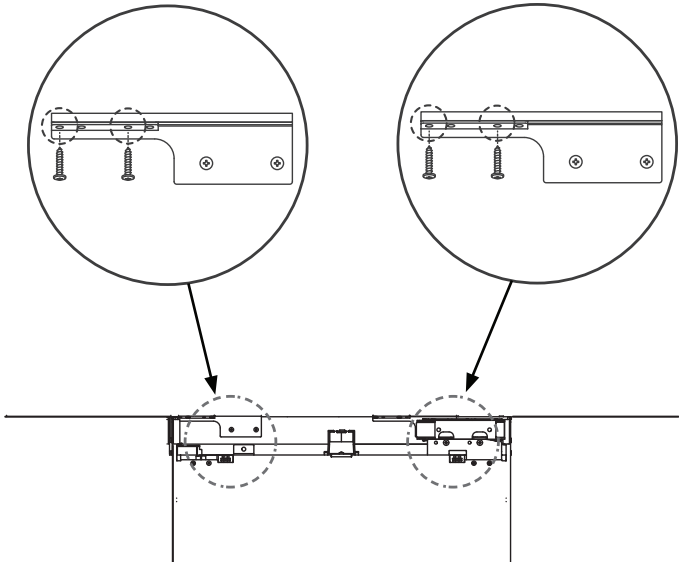
Turn the front and rear adjustment screws clockwise to extend the front feet and rear feet until they engage the floor and the top bracket reaches the cabinetry ceiling.



Check the depth gauges while adjusting the screws to maintain alignment of the appliance.

Secure Appliance into Cabinetry

SECURING THE TOP ALCOVE BRACKETS



Unit Securing Fastener Kit

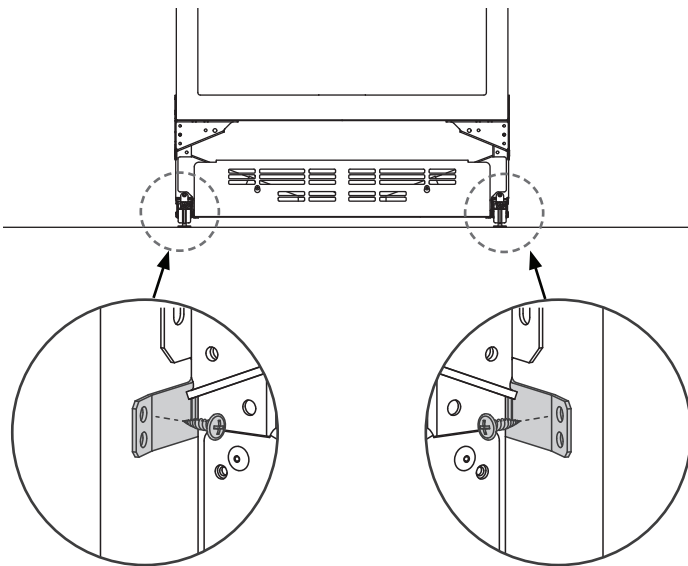
- 8Gx16 Countersunk screw (6x)

Required Tools

- Cross-head screwdriver
- Powered driver (optional)

Fix the top alcove brackets to the ceiling surface of the cabinetry with 8Gx16 countersunk screws (4x).

SECURING THE SIDE BRACKETS



Fix the side brackets (2x) to the lower right and left sides of the cabinetry with 8Gx16 countersunk screws (2x).

Once the appliance is secured to the cabinetry, remove the alignment gauges.

Door Panel Installation

STEP 1 HANGING THE DOOR PANEL

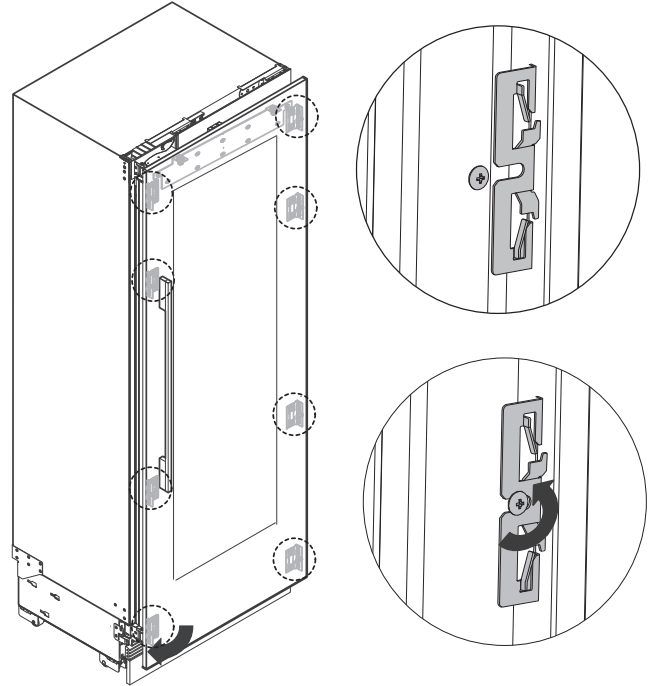
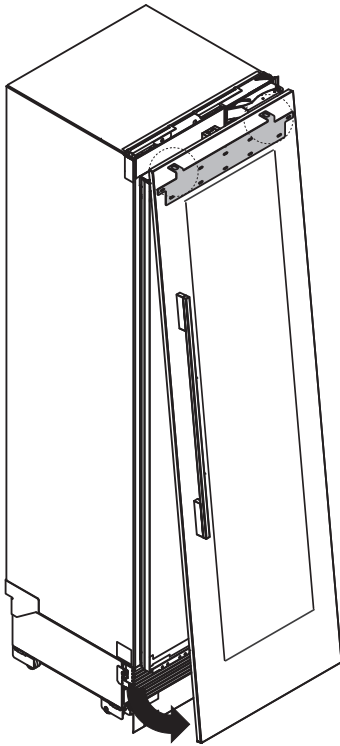
Required Tools

- Cross-head screwdriver
- Spanner
- Hex key

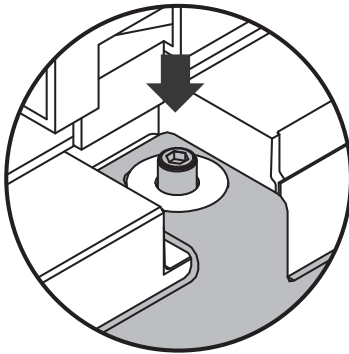
- Loosen all the side screws on the glass door, but do not remove them. Side brackets on door panel will slide into these screws.

NOTE: Picture shows top hanging bracket location relative to glass door and door panel. The bracket is actually behind door panel.

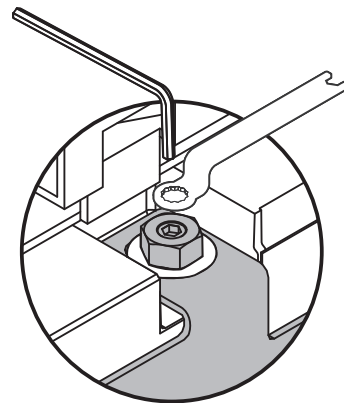
- Align the door panel straight with the glass door and slide-in the side brackets to the side screws of the glass door.
- Tighten the side screws loosely to temporarily secure the door panel.



- Hold the door panel at an angle from the top of the glass door and lower the screw holes of the top hanging bracket onto the adjustment screws on top of the glass door.



- Screw the M8 washer and nut to the adjustment screw and loosely tighten.



Door Panel Installation

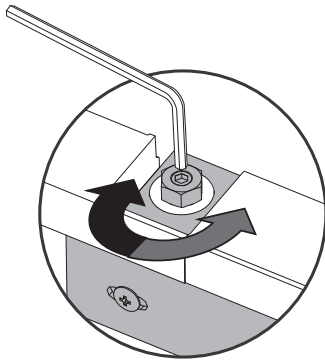
STEP 2 ADJUSTING DOOR PANEL UP / DOWN

Ensure the side brackets are loosely screwed when adjusting the height of the door panel. Do not adjust the door panel height when the side brackets are screwed tight. This can generate friction which causes the hanging brackets to bend.

Turn the adjustment screw to raise or lower the height of the door panel relative to the glass door.

Continue adjustment until gap with cabinetry is more than 1/8" (3mm).

- Do not adjust the adjustment screw higher than 1/4" (6.5mm) from its fully down position.



STEP 3 ADJUSTING DOOR PANEL FORWARD / BACKWARD

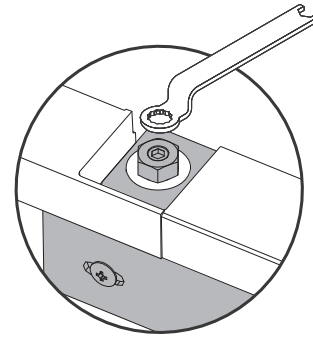
Loosen side screws on the side brackets, and slide door panel forward / backward relative to the glass door.

Re-tighten side screws once satisfied.

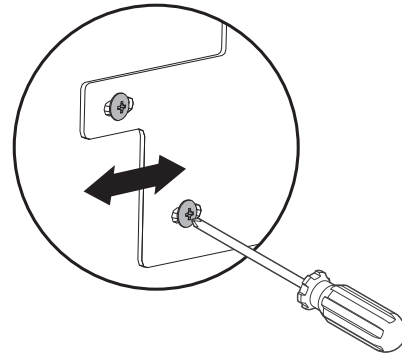


STEP 4 ADJUSTING DOOR PANEL LEFT / RIGHT

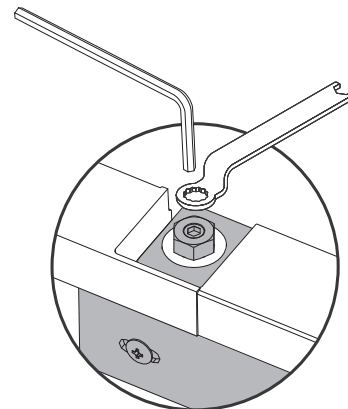
- Loosen the M8 nuts on top. Slide door panel to left / right relative to the glass door.



- If further adjustment is still required, remove the door panel, loosen the fixing screws of the top hanging bracket and move top hanging bracket sideways to suit.



- Once satisfied with door panel position, fully tighten M8 nuts on top.



Door Panel Installation

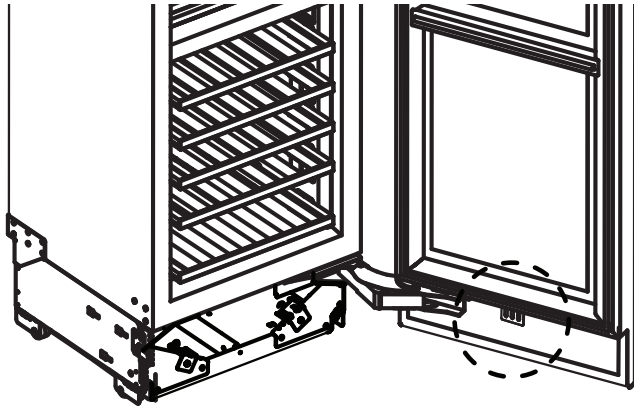
STEP 5 INSTALLING BOTTOM PANEL BRACKET

Unit Securing Fastener Kit

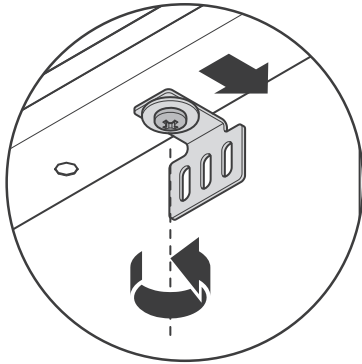
- 8Gx16 Countersunk screw (1x)

Required Tools

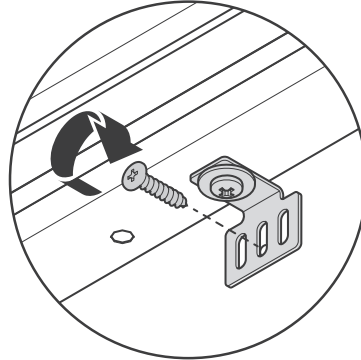
- Cross-head screwdriver



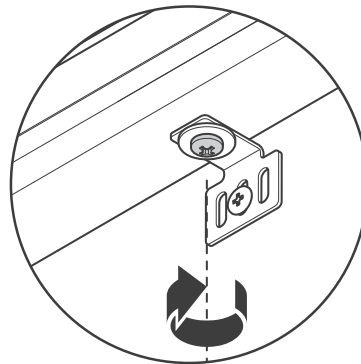
- Loosen the screw holding the bracket at the bottom of the glass door. Slide the bracket out until it touches door panel.



- Fix the bracket to the door panel with 8Gx16 countersunk screw (1x).



- Re-tighten the screw at the bottom of the glass door.

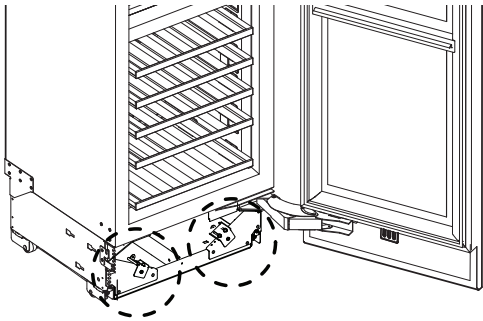


Toe Kick Installation

STEP 1 ADJUSTING THE TOE KICK MOUNTING PLATE BRACKETS

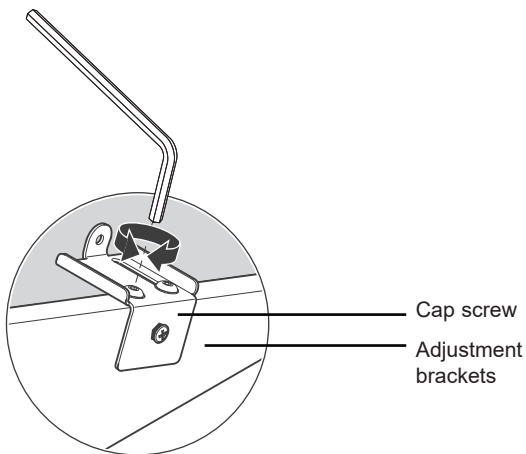
Required Tools

- Hex key

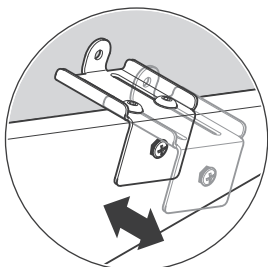


These 2 brackets determine the depth position of the toe kick mounting plate and further determine the depth of the toe kick.

- Loosen the cap screws of the brackets on both sides of the plinth with hex key.



- Adjust the brackets to the desired depth by moving it forward/backward.
Re-tighten the cap screws once satisfied.



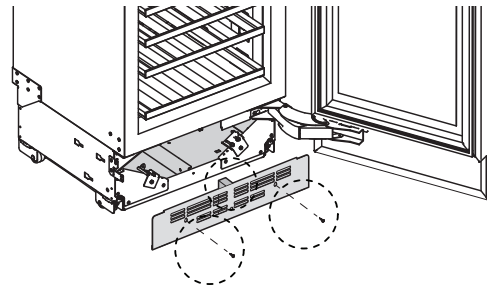
STEP 2 ATTACHING THE TOE KICK MOUNTING PLATE

Miscellaneous Parts

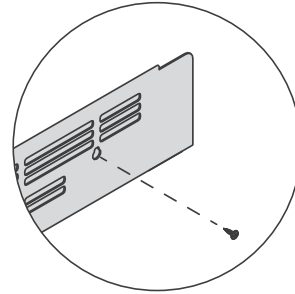
- Air toe kick seal (1x)

Required Tools

- Cross-head screwdriver



- Re-attach the toe kick mounting plate to the plinth using same screws that were set aside previously.

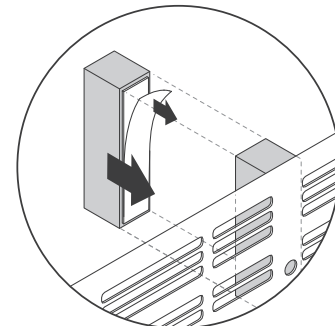


- If toe kick depth is less than 3 5/8" (92mm), attach an air toe kick seal to the mounting plate.

Refer to "Custom Toe Kick Options" in DIMENSIONS section. Toe kick depth is measured from rear of door panel to rear of toe kick.

Peel off the adhesive tape of air toe kick seal and attach to the middle of the back side of the mounting plate.

Press firmly to ensure the tape adheres to the mounting plate.



Toe Kick Installation

STAINLESS STEEL TOE KICK

Toe Kick Install Kit

- Magnets (4x)
- 8Gx16 Mush washer screws (4x)

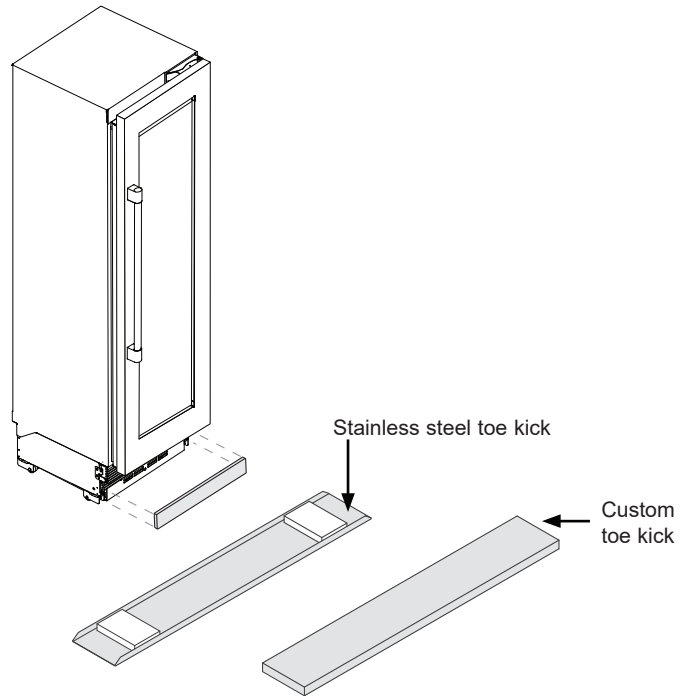
Required Tools

- Powered driver
- Pencil

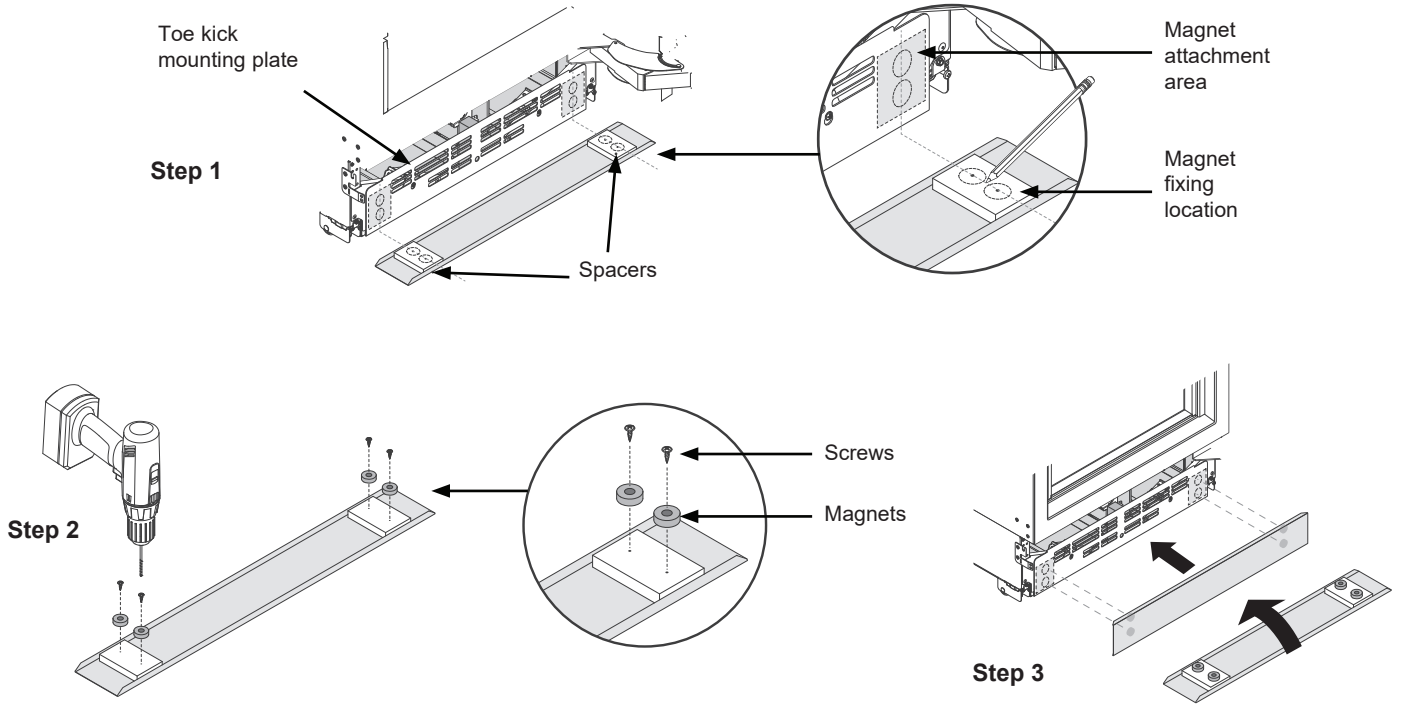
Stainless Steel Toe Kick is part of the “Stainless Steel Door Panel and Toe Kick Kit”. The kit is not supplied and can be purchased separately. Refer to ACCESSORIES / KITS section.

CUSTOM TOE KICK

The custom toe kick is to be supplied by the customer or customer’s cabinet company. It is not included with the product.

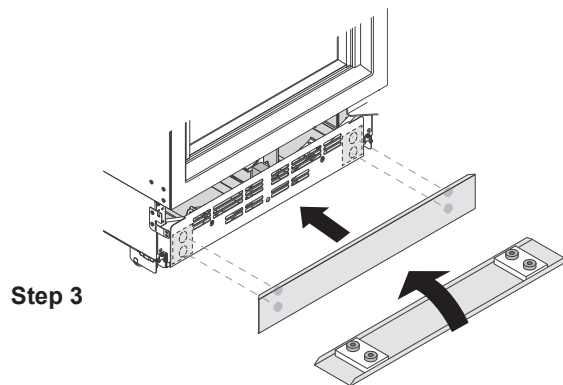
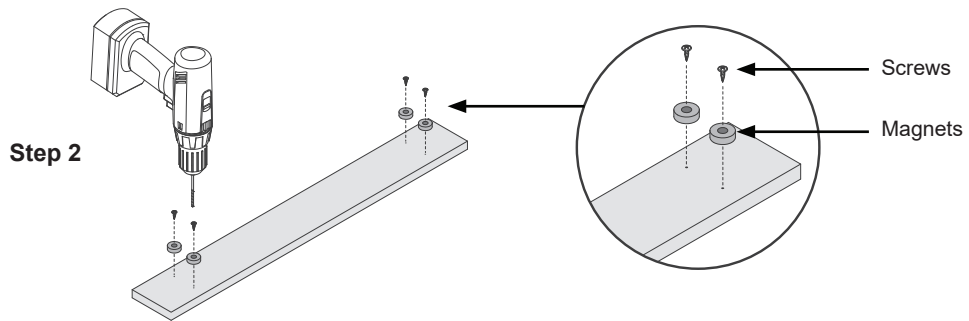
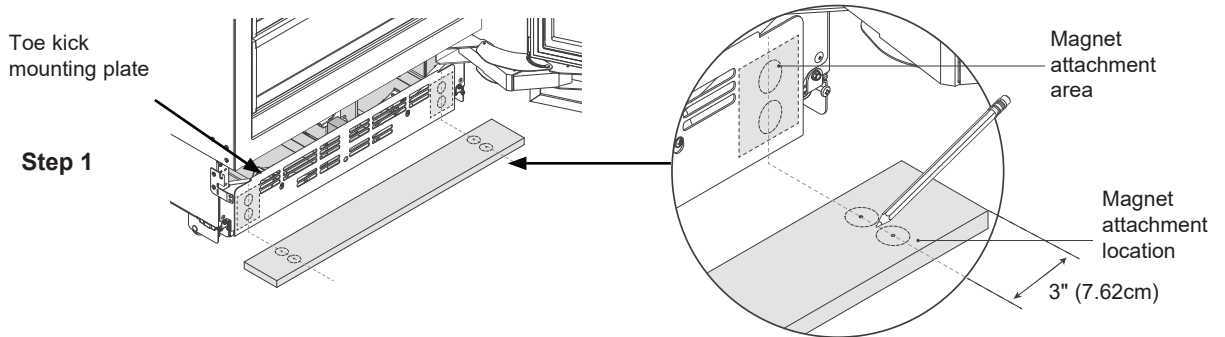


STAINLESS STEEL TOE KICK



Toe Kick Installation

CUSTOM TOE KICK

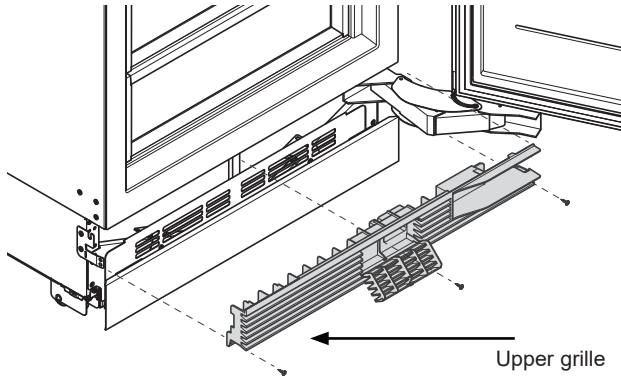


Grilles Installation

STEP 1 ATTACHING THE UPPER GRILLE

Required Tools

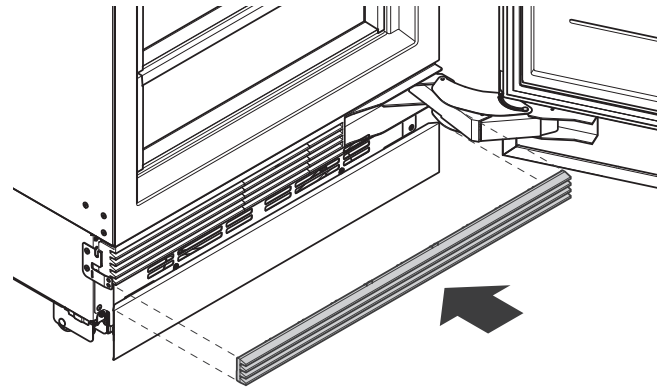
- Cross-head screwdriver
- Secure both ends of the upper grille and behind the center hatch with the three #8x16 screws removed previously.



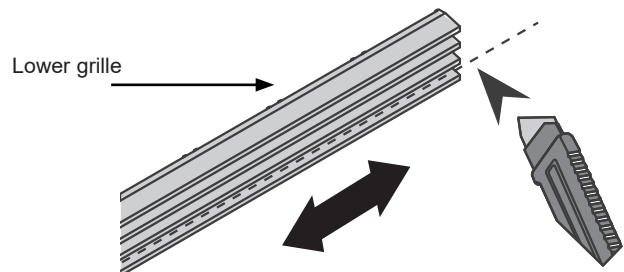
STEP 2 ATTACHING THE LOWER GRILLE

Required Tools

- Utility knife
- Re-attach the lower grille via magnets.



- For toe kick heights 4 1/2"–5" (11.4–12.7cm), shorten the lower grille height by cutting the vertical ribs.



Air Flow Divider Installation

AIR FLOW DIVIDER INSTALLATION

Miscellaneous Parts

- Air flow divider (1x)
- Air flow divider cap (1x)

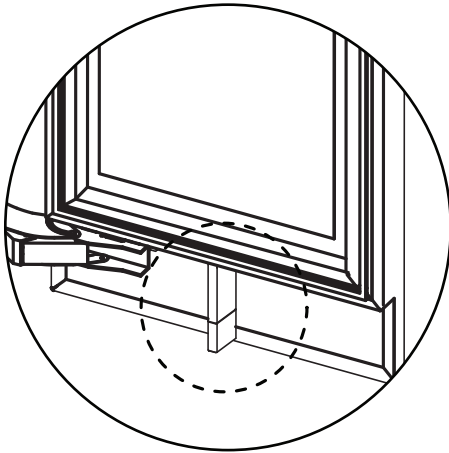
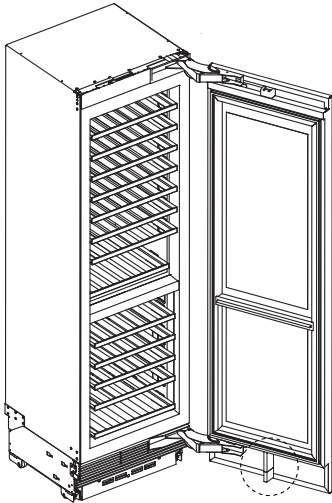
Required Tools

- Cross-head screwdriver
- Hacksaw

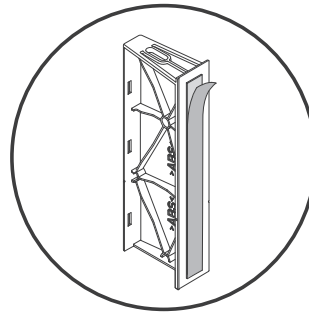
The air flow divider blocks air flow from bypassing in front of the grilles.

If toe kick height is more than the standard 4", the height of the air flow divider may need to be reduced so it does not protrude below the bottom of the door panel.

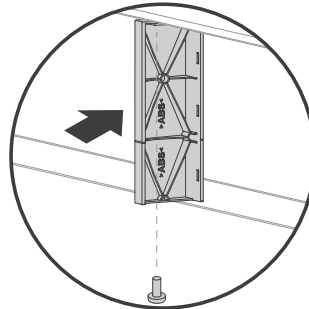
Use a hacksaw to cut air flow divider and cap to proper height. Cut lower part of the divider off. Do not cut upper part of the divider off.



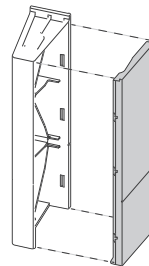
- Remove the adhesive protective backing from the air flow divider.



- Press the air flow divider firmly against door panel. Ensure the adhesive layer of the divider contacts door panel. Secure the air flow divider to the bottom of glass door with a screw in a small plastic bag in the Installation Kit.



- Attach air flow divider cap to the divider.

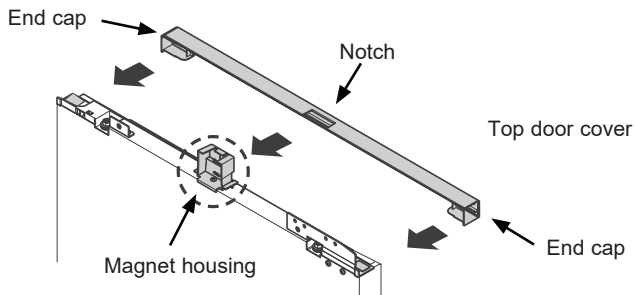


Door Top and Side Covers Installation

STEP 1 RE-INSTALLING TOP DOOR COVER

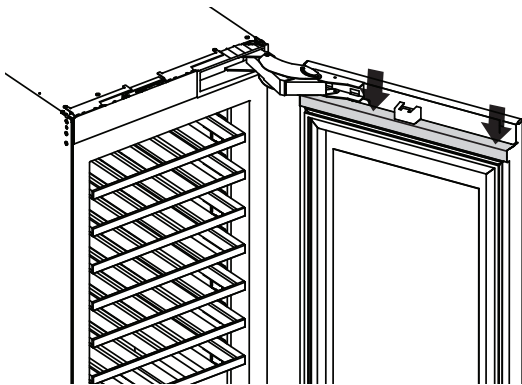
Ensure the magnet is in place before installing the top door cover

- Align the top door cover to the top of the door.
Clip the center notch on the cover into the magnet housing and slide the cover into place.



- Press down both ends of the top cover to engage the end caps on the dual lock strips.

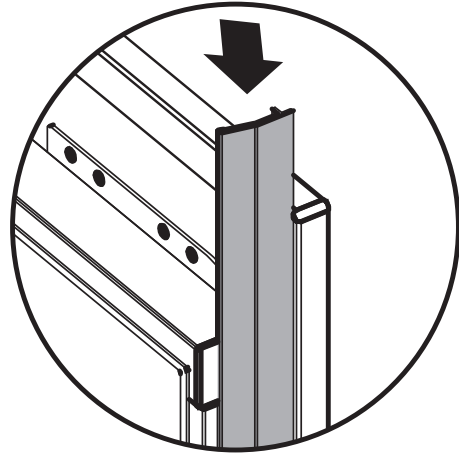
Ensure the magnet remains in place and not damaged as this will affect the operation of the appliance.



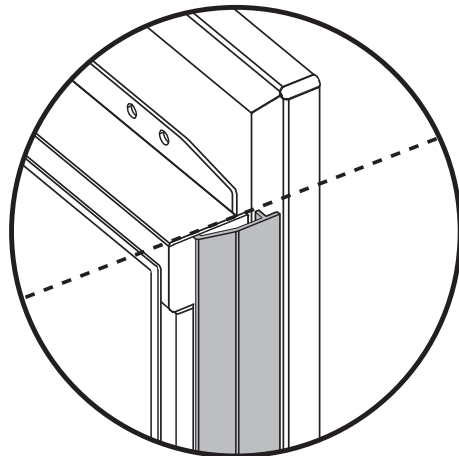
STEP 2 INSTALLING DOOR PANEL SIDE COVERS

Trims Install Kit

- Door panel side cover (2x)
- Align side cover with back side of the door panel.
Slide cover downwards to clip into door panel side brackets.



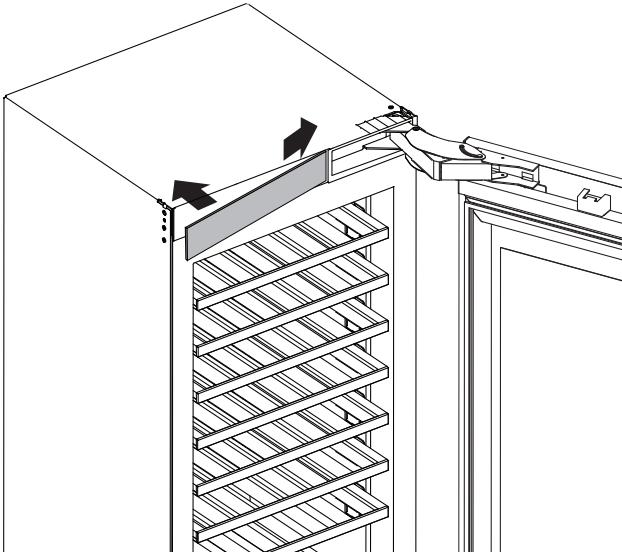
- Ensure top of side cover is aligned with the top door cover.



Top Trim and Hinge Pocket Cover Installation

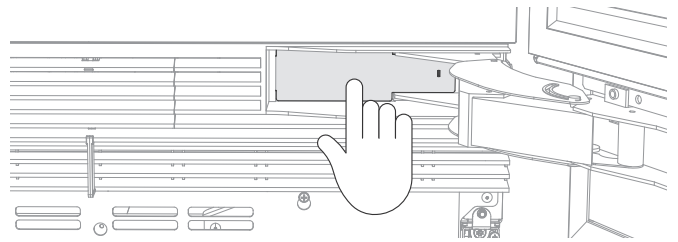
INSTALLING THE TOP TRIM

- Slide one end of the top trim into the hinge pocket of the appliance.
- Press the other end to engage the dual lock strip on the non-hinge side of the appliance.



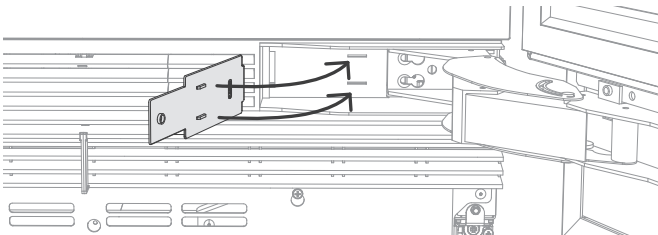
INSTALLING THE BOTTOM HINGE POCKET COVER (CONT.)

- Press the pocket cover to ensure the cover clips into the pocket.

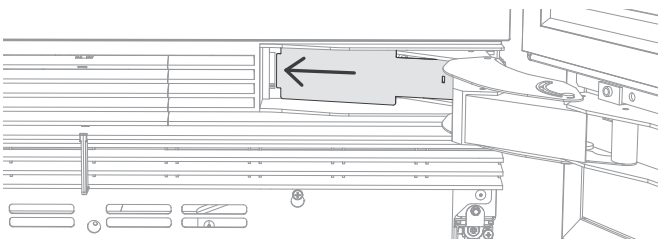


INSTALLING THE BOTTOM HINGE POCKET COVER

- Place the hinge pocket cover into the hinge pocket, matching the studs on the cover to the slots in the hinge pocket.



- Slide the cover inside the pocket.



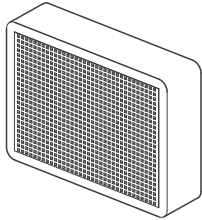
Odor Filter Installation

ODOR FILTER INSTALLATION

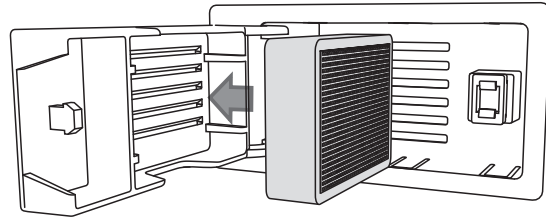
Miscellaneous Parts

- Odor filters (2x)

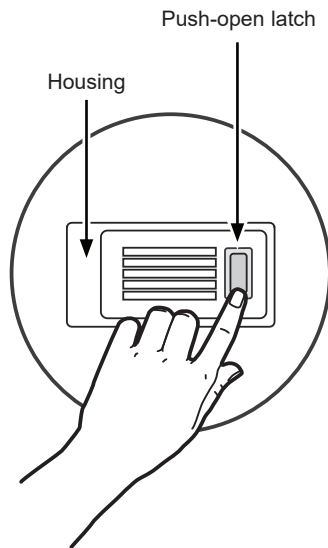
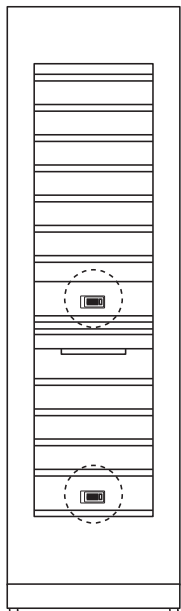
■ Remove the packaging of the filter.



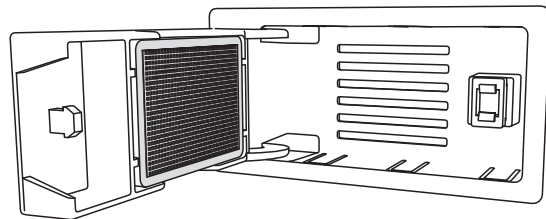
■ Insert the odor filter in the hatch.



■ Open the cover of filter housing by pushing the latch.



■ Push the filter gently into the hatch until flush, then close the cover until it locks to the latch.



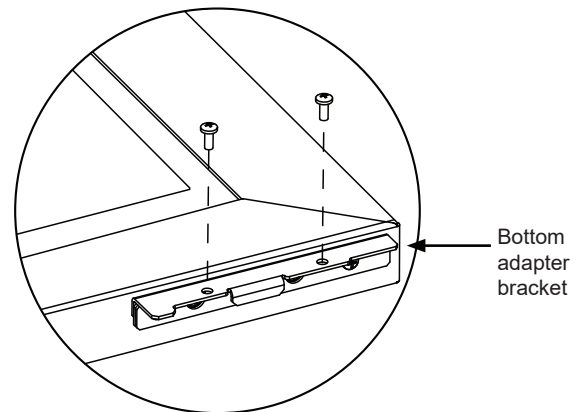
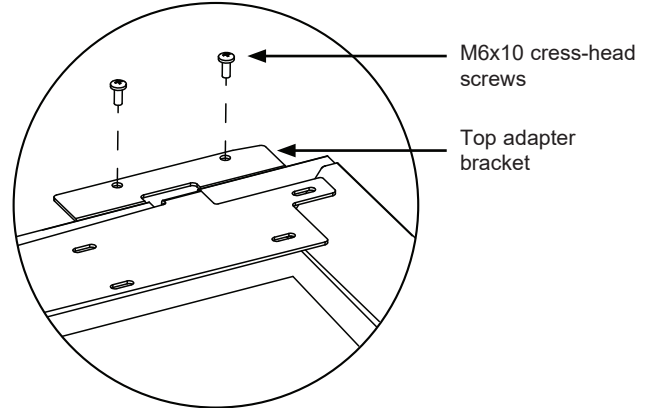
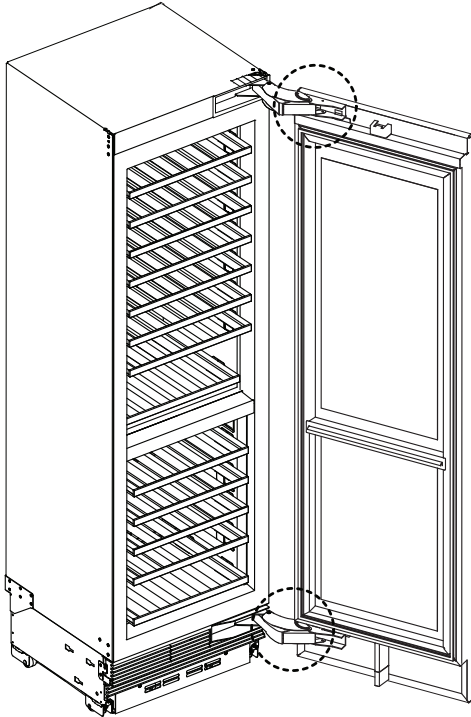
DOOR SWING REVERSAL (OPTIONAL)

Door Swing Reversal (Optional)

STEP 1 DETACHING GLASS DOOR

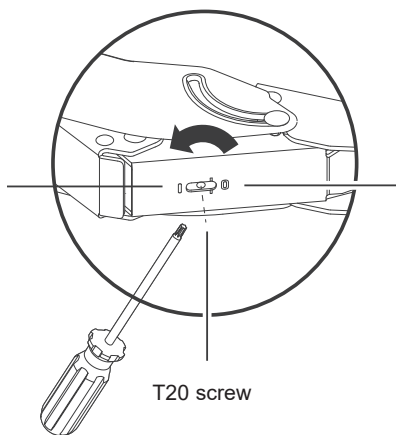
You have the option to switch door hinge side of your appliance from right hand hinge to left hand hinge or vice versa. Take care not to damage the door during this process.

- Detach the door from the appliance by unscrewing top and bottom hinge M6x10 cross-head screws (4x) at the top and bottom adapter bracket.



- Release both the top and bottom hinge spring by turning the T20 screw in the hinge counterclockwise until it moves to '0' position.

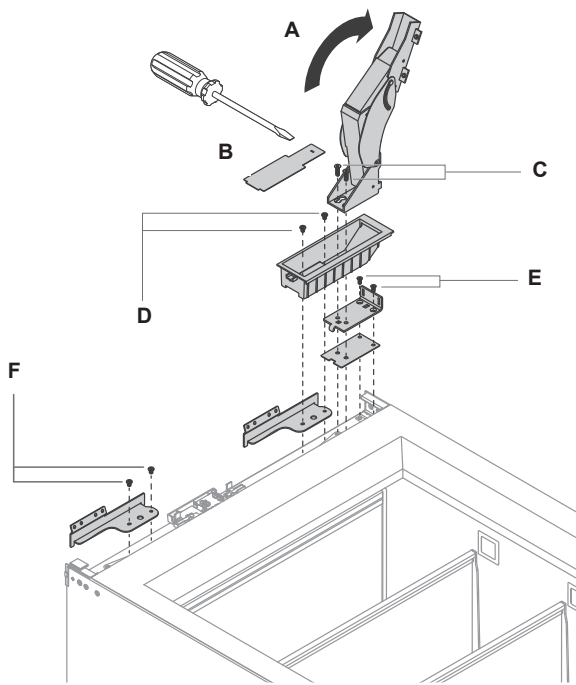
Close the door and lay the appliance on its back on the pallet.



Door Swing Reversal (Optional)

STEP 2 DETACHING TOP HINGE

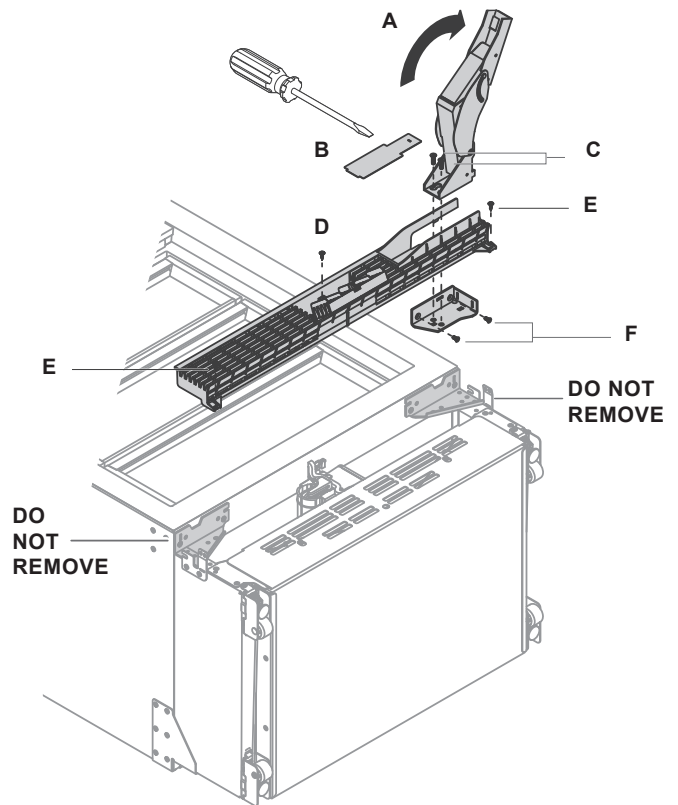
- Rotate the top hinge (A) outwards and remove the top hinge pocket cover (B) using a flat head screwdriver in the slot of the cover.
- Unscrew M6x16 countersunk screws (C) to remove top hinge, and set aside to use later.
- Unscrew M6x16 countersunk screws (D) from hinge pocket to remove hinge pocket and top alcove bracket.
- Unscrew M5x12 countersunk screws (E) to remove top hinge bracket and spacer.
- For the non-hinge side, remove the top alcove bracket by unscrewing the M6x16 countersunk screws (F).



NOTE: The unit is not required to be laid down. The images are to better illustrate the reversal process.

STEP 3 DETACHING BOTTOM HINGE

- Rotate bottom hinge (A) outwards and remove bottom hinge pocket cover (B) using a flat head screwdriver in the slot.
- Remove bottom hinge by unscrewing the M6x16 countersunk screws (2x) (C).
- Open the center hatch on the upper grille and unscrew the #8x16 screw (D).
- Remove upper grille by unscrewing the #8x16 screws (E) from the left and right of the grille.
- Remove bottom hinge bracket by unscrewing M6x16 countersunk screws (F).



IMPORTANT!

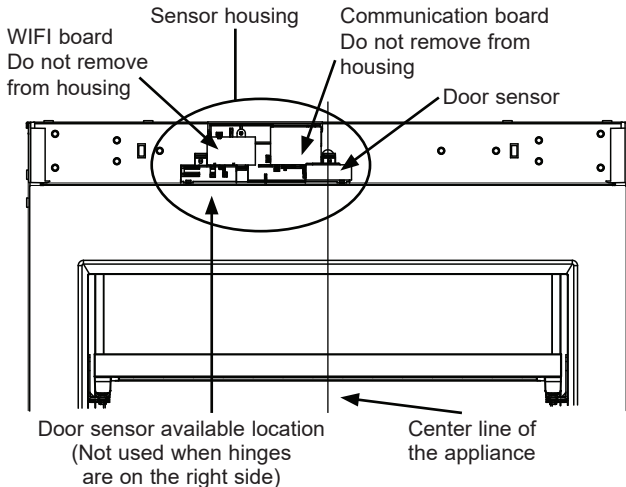
Do not remove plinth-to-cabinet retention brackets!

Door Swing Reversal (Optional)

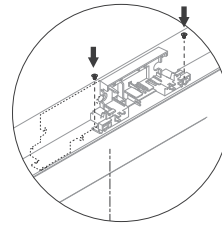
STEP 4 MOVING SENSOR HOUSING AND DOOR SENSOR LOCATION

When door hinges are moved from one side to the other, both sensor housing and door sensor itself need to be moved to keep door sensor aligned with magnet on top of door.

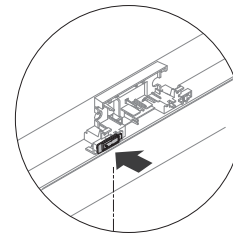
There are 2 available locations for door sensor in the sensor housing. The rule is to place door sensor to the location that is closer to the center line of the appliance. Always check to see if lights go out when door is closed after moving hinges from one side to the other.



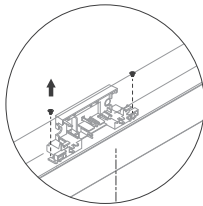
- Reinstall sensor housing using the #8x16 screws (2x).



- Clip door sensor into sensor housing lower-left corner. This door sensor location is now closer to the appliance center line.



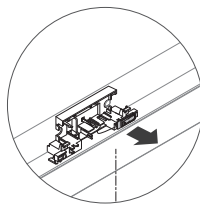
- Remove the #8x16 screws (2x) that hold the sensor housing onto the appliance.



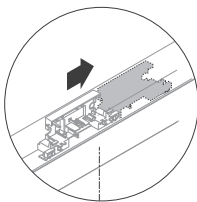
- Unclip the door sensor from sensor housing.

Do not unclip communication board or WIFI board. Keep them in sensor housing.

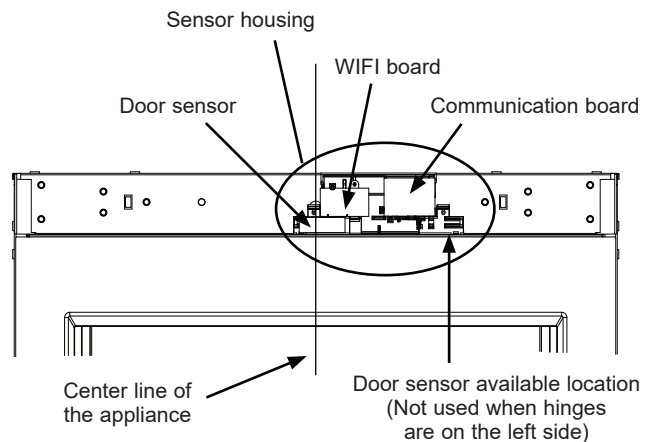
Untuck wire harness from sensor housing clips so wiring is not pulled when sensor housing is moved in the next step.



- Move sensor housing to the right. There is another set of pre-drilled holes in the appliance top panel to the right. Align sensor housing with this set of holes.

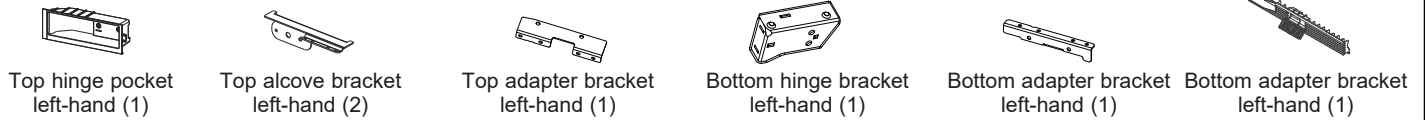


- Double check sensor housing and door sensor location per illustration below.



Door Swing Reversal (Optional)

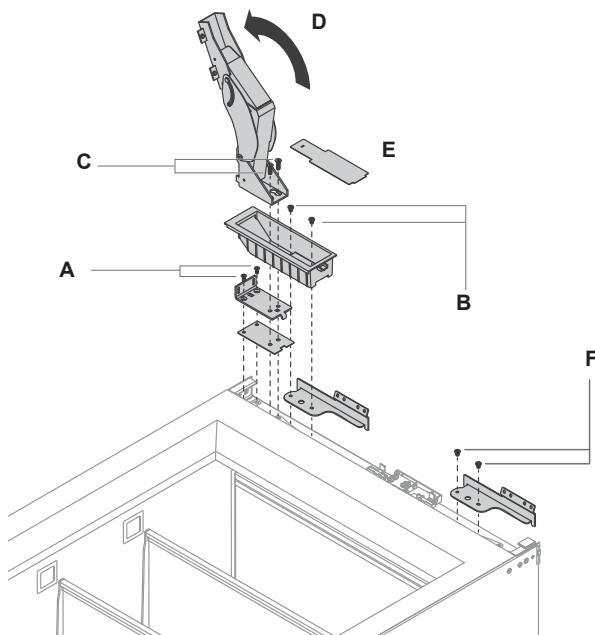
Right-hand to Left-hand Hinge Change Kit



STEP 5 RE-ATTACHING TOP HINGE TO LEFT SIDE

Note: Flip the bottom hinge removed from the right side and use it as the top hinge for the left side.

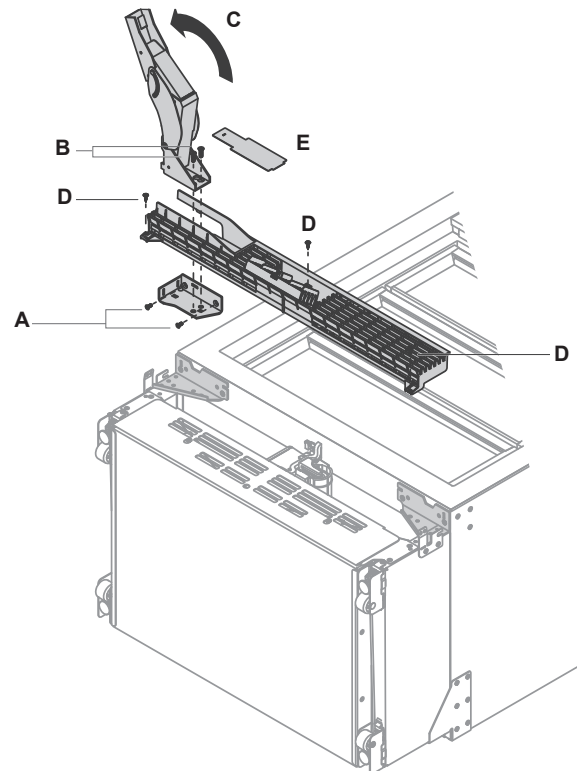
- Flip top hinge bracket. Reinstall top hinge bracket and spacer with M5x12 countersunk screws (A) on left side of the appliance.
- Install top hinge pocket left-hand and top alcove bracket left-hand using two (2x) M6x16 countersunk screws (B).
- Flip the bottom hinge removed from the right side and use it as the top hinge for the left side. Install the hinge in top hinge pocket by screwing M6x16 countersunk screws (2x) (C).
- Open the hinge (D) and clip the top hinge pocket cover (E) to the top hinge pocket.
- Install the 2nd top alcove bracket left-hand with M6x16 countersunk screws (2x) (F).



STEP 6 RE-ATTACHING BOTTOM HINGE TO LEFT SIDE

Note: Flip the top hinge removed from the right side and use it as the bottom hinge for the left side.

- Install bottom hinge bracket left-hand on left side of the appliance with M6x16 screws (2x) (A). Ensure that the tab on the top of the bracket inserts into the slot in the plinth front bracket.
- Flip the top hinge removed from the right side and use it as the bottom hinge for the left side. Insert the tabs on the hinge into the bottom hinge bracket. Rotate the hinge into place and fix with M5x12 countersunk screws (2x) (B).
- Open the hinge (C), and install upper grille left-hand. Fix the grille in place with #8x16 screws (3x) (D). One screw each at the left and right of the grille and one behind the center hatch.
- Clip the bottom hinge pocket cover into bottom hinge pocket (E).

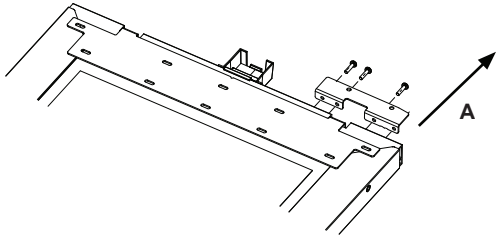


NOTE: The unit is not required to be laid down. The images are to better illustrate the reversal process.

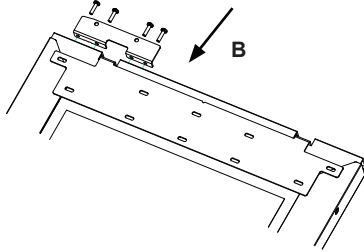
Door Swing Reversal (Optional)

STEP 7 CHANGING TOP ADAPTER BRACKET ON TOP OF THE DOOR

- Unscrew the M5x10 screws (4x) to remove the top adapter bracket from the top of the door (A).

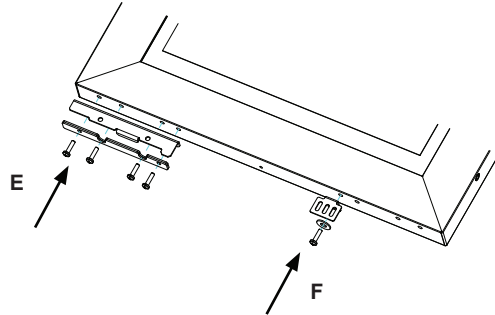


- Install the new top adapter bracket left-hand to the left side with M5x10 screws (4x) (B).



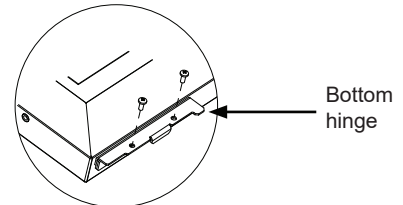
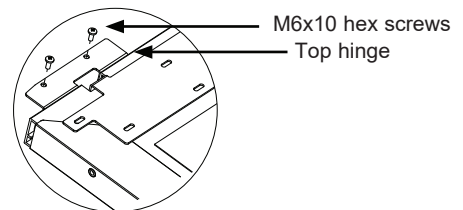
STEP 8 CHANGING BOTTOM ADAPTER BRACKET ON BOTTOM OF THE DOOR (CONT.)

- Install the new bottom adapter bracket left-hand and existing spacers to the other side of the door with M5x20 screws (4x) (E).
- Install the existing door panel locking bracket and washer to the other side of the door with M5x20 screw (1x) (F).

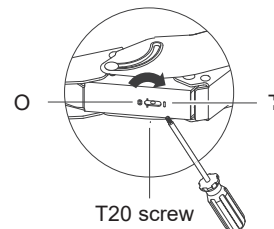


STEP 9 REINSTALLING THE DOOR

- Secure the door to the top hinge and bottom hinge with M6x10 hex screws (4x).



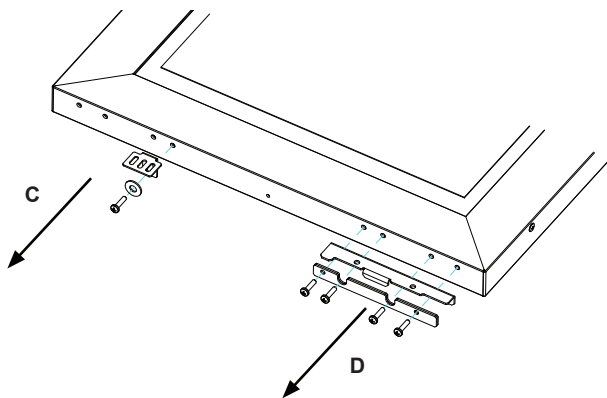
- Activate both the top and bottom hinge spring by turning the T20 screw in the hinge clockwise until it moves to 'I' position.



- Return the appliance to the upright position, and reinstall all covers and trims.

STEP 8 CHANGING BOTTOM ADAPTER BRACKET ON BOTTOM OF THE DOOR

- Remove the door panel locking bracket and washer from the bottom of the door by unscrewing M5x20 screw (1x) (C).
- Remove the bottom adapter bracket and spacers from the bottom of the door by unscrewing M5x20 screws (4x) (D).



NOTE: While performing installations described in this book, safety glasses or goggles should be worn.

NOTE: Product improvement is a continuing endeavor at Monogram. Therefore, materials, appearance and specifications are subject to change without notice.



MONOGRAM



INSTRUCTIONS D'INSTALLATION

Colonne de vin

FRANÇAIS

MONOGRAM.COM

Consignes de sécurité

AVANT DE COMMENCER

Veuillez lire toutes ces instructions attentivement.

- **IMPORTANT** – Conservez ces instructions à l'usage de l'inspecteur local. Observez tous les codes et décrets en vigueur.
- **Note à l'installateur** – Assurez-vous de laisser ces instructions au consommateur.
- **Note au consommateur** - Conservez ces instructions avec votre manuel d'utilisation pour consultation ultérieure.

Si vous avez reçu un appareil endommagé, veuillez communiquer immédiatement avec votre revendeur ou votre entrepreneur.

Niveau de compétence – L'installation de cet appareil exige des compétences de base en mécanique, menuiserie et plomberie. La responsabilité d'une installation adéquate relève de l'installateur. La garantie Monogram ne couvre pas les défauts du produit causés par une installation inadéquate. Consultez le manuel d'utilisation pour des renseignements sur la garantie.

AVERTISSEMENT Risque d'électrocution.

Branchez l'appareil dans une prise à 3 broches mise à la terre.

N'enlevez pas la broche de mise à la terre.

N'utilisez pas un adaptateur.

Cessez immédiatement l'utilisation d'un cordon électrique endommagé. Si le cordon électrique est endommagé, son remplacement doit être exécuté par un technicien en réparation qualifié au moyen d'un cordon de rechange autorisé par le fabricant.

N'utilisez pas un cordon de rallonge avec cet électroménager. Le non-respect de ces instructions peut occasionner un décès, un incendie ou un choc électrique.

Suivez les instructions de la section Mise à la terre de l'appareil. Le circuit électrique auquel cet électroménager sera raccordé doit comporter un disjoncteur ou un autre dispositif permettant de couper l'alimentation électrique à l'appareil après l'installation.

AVERTISSEMENT Risque de basculement.

Ces électroménagers sont lourds du haut, notamment lorsqu'une porte est ouverte, de sorte qu'ils doivent être fixés pour prévenir un basculement vers l'avant susceptible d'occasionner des blessures graves ou la mort. Lisez et observez la totalité des instructions d'installation pour connaître la façon de fixer l'électroménager sur le dispositif antibasculement.

AVERTISSEMENT Risque d'incendie ou d'explosion.

Gardez les matières et les vapeurs inflammables à distance de l'électroménager. L'omission de prendre cette précaution peut entraîner un incendie, une explosion ou la mort.

AVERTISSEMENT Pour réduire le risque d'étouffement pendant l'installation de ce produit, ne pas laisser les petites pièces à la portée des enfants âgés de moins de 3 ans.

AVERTISSEMENT Risque lié à la manipulation d'un objet lourd

Cet appareil est très lourd. Afin de réduire le risque de blessure pendant la manipulation et l'installation de cet électroménager, la participation de 3 personnes est nécessaire à l'exécution d'une installation correcte.

AVERTISSEMENT Portez des gants et des protège-bras. Le non-respect de cette consigne peut entraîner des lacérations. Gardez vos doigts éloignés des points de pincement. Les espaces entre les portes et ceux entre les portes et l'armoire sont particulièrement restreints. Soyez prudent lorsque vous fermez les portes en présence d'enfants.

MISE AU REBUT ADÉQUATE DE VOTRE ÉLECTROMÉNAGER

Veuillez jeter ou recycler votre électroménager conformément aux règlements fédéraux ou locaux. Communiquez avec les instances locales pour en savoir plus sur la mise au rebut ou le recyclage de votre électroménager.

- Considérez les options de recyclage des matériaux d'emballage de votre électroménager.

Contenu

Sécurité	2	Coup-de-pied en acier inoxydable	35
		Coup-de-pied personnalisé	36
Guide de conception		Installation des grilles	
Pièces et outils fournis	3	Étape 1 Fixation de la grille supérieure	37
Accessoires/trousses	7	Étape 2 Fixation de la grille inférieure	37
Pièces et outils requis	8	Installation du diviseur de flux d'air	38
Dimensions	9	Installation des couvercles supérieur et latéraux de porte	
Préparation de l'installation		Étape 1 Réinstallation du couvercle de porte supérieure	39
Avant l'installation		Étape 2 Installation des couvercles latéraux de panneau de porte	39
Installation du support antibasculement	21	Installation de la garniture supérieure et du couvercle de poche de charnière	40
Préparation de l'appareil	22	Installation du filtre anti-odeurs	41
Préparation du panneau de porte – Panneau en acier inoxydable	24	Inversion du sens d'ouverture de la porte (facultatif)	42
Préparation du panneau de porte – Panneau personnalisé	25	Étape 1 Retrait de la porte vitrée	43
Alignement de l'appareil dans les armoires	28	Étape 2 Retrait de la charnière supérieure	44
Fixation de l'appareil dans les armoires	30	Étape 3 Retrait de la charnière inférieure	44
Installation du panneau de porte		Étape 4 Déplacement du boîtier du capteur et du capteur de porte	45
Étape 1 Suspension du panneau de porte	31	Étape 5 Réinstallation de la charnière supérieure sur le côté gauche	46
Étape 2 Ajustement du panneau de porte vers le haut ou le bas	32	Étape 6 Réinstallation de la charnière inférieure sur le côté gauche	46
Étape 3 Ajustement du panneau de porte vers l'avant ou l'arrière	32	Étape 7 Déplacement du support adaptateur supérieur sur le dessus de la porte	47
Étape 4 Ajustement du panneau de porte vers la gauche ou la droite	32	Étape 8 Déplacement du support adaptateur inférieur sur le bas de la porte	47
Étape 5 Installation du support de panneau inférieur	33	Étape 9 Réinstallation de la porte	47
Installation du coup-de-pied			
Étape 1 Ajustement des supports de plaque de montage du coup-de-pied	34		
Étape 2 Fixation de la plaque de montage du coup-de-pied			

Pour joindre le service Monogram de votre région, visitez monogram.com ou 800.444.1845.

Pour le service Monogram au Canada, visitez monogram.ca ou 800.561.3344.

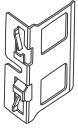
Pour le service des Pièces et accessoires Monogram, visitez monogram.com ou 800.444.1845.

Pour le service des Pièces et accessoires Monogram au Canada, visitez monogram.ca ou 800.661.1616.

Pièces et outils fournis

TROUSSE D'INSTALLATION (BOÎTIER INTERNE)

Trousse de fixation de panneau de porte



Support latéral (12)



Glissière de support (12)

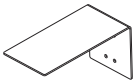


Espaceur de support (12)

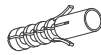


Vis cruciforme M5 x12 pour panneau de porte personnalisé (44)

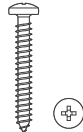
Trousse d'assemblage du support antibasculement



Support antibasculement (1)

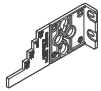


Ancrage de maçonnerie (5)

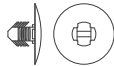


Vis cruciforme 10-12 x 35 mm (5)

Trousse de fixation de l'appareil



Jauge d'alignement de profondeur (4)

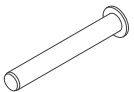


Bouchon barbelé (2)



Vis à tête fraisée 8G x 16 (7)

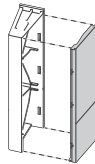
Pièces diverses



Cheville de limitation de charnière (3)



Joint d'étanchéité de coup-de-pied (1)



Diviseur de flux d'air avec couvercle (1)



Filtres anti-odeurs (2)



Vis à tête cruciforme M8 x 16 (1)

Trousse d'installation du coup-de-pied

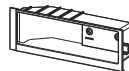


Aimants (4)

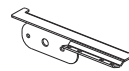


Vis à rondelle Mush 8G x 16 (4)

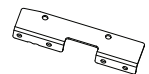
Trousse de changement de charnière droite-gauche



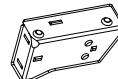
Poche de charnière supérieure gauche (1)



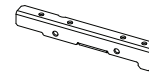
Support d'alcôve supérieur gauche (2)



Support adaptateur supérieur gauche (1)



Support de charnière inférieur gauche (1)



Support adaptateur inférieur gauche (1)

Outils



Clé d'appoint



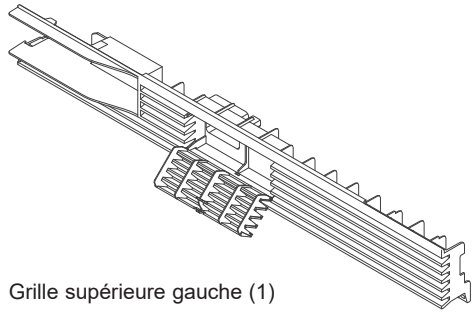
Clé hexagonale



Embout de tournevis à douille hexagonale

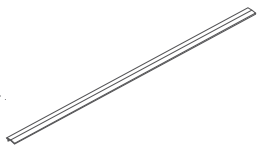
Pièces et outils fournis

Grille supérieure pour changer les charnières de droite à gauche (Boîte externe sous la porte vitrée)



Grille supérieure gauche (1)

Trousse d'installation des garnitures (boîte externe collée à l'appareil)



Couvercle latéral de
panneau de porte (2)



Garniture longue (2)



Garniture
courte (2)



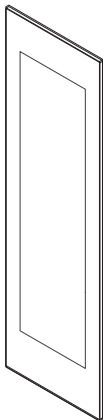
Gabarit de panneau de
porte personnalisé (1)

Accessoires / Trousses

Non fourni et peut être acheté séparément.

Panneau de porte en acier inoxydable et trousse de coup-de-pied

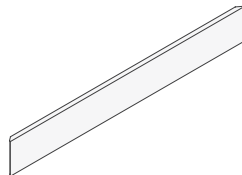
- Côté droit : ZK1GN244WRH
- Côté gauche : ZK1GN249WLH



Panneau de porte en
acier inoxydable (1)



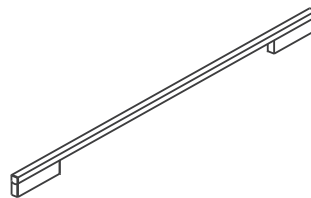
Vis de rondelle
Mush 8G x 16 (32)



Coup-de-pied en
acier inoxydable (1)

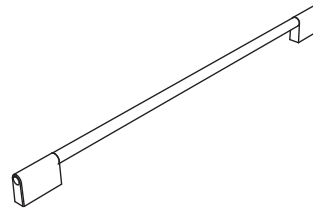
Trousse de poignées Minimalist

- ZKSP1H1CNSS



Trousse de poignées Statement

- ZKSP1H1PNSS



Poignées Monogram de la trousse de goujons pour panneau personnalisé

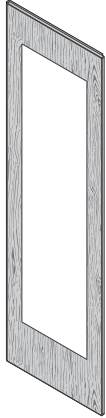
- ZKPN

Pièces et outils requis

Non fourni et doit être fourni par le client pour correspondre aux armoires.

Panneau de porte personnalisé

Le panneau de porte personnalisé doit laisser la vitre visible. Le panneau personnalisé NE PEUT PAS COUVRIR LA VITRE.

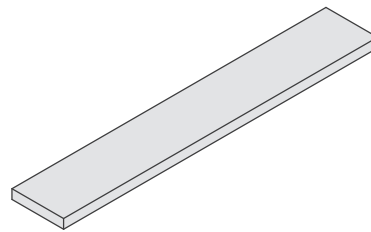


Coup-de-pied personnalisé

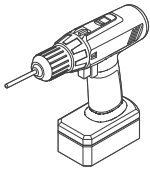
Pour l'installation du panneau de porte personnalisé, un coup-de-pied de 2 à 6 po (50 à 152 mm) doit être installé et ajusté en conséquence.

Une grille inférieure supplémentaire est nécessaire pour une hauteur de coup-de-pied de 2 po (50 mm).

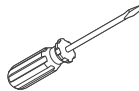
REMARQUE : La grille inférieure supplémentaire n'est pas fournie avec le produit et peut être achetée séparément. Utilisez la référence WR13X46927 pour commander une grille inférieure supplémentaire.



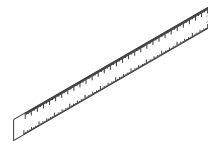
Outils requis pour l'installation - Non fournis avec le produit.



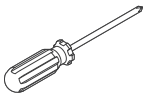
Visseuse électrique



Tournevis à tête cruciforme



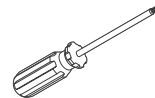
Règle



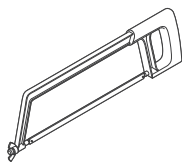
Tournevis à lame plate



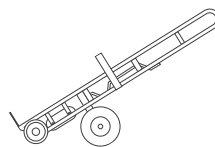
Couteau universel (1)



Tournevis à tête étoilée T20 (pour libérer/activer le ressort de charnière)



Scie à métaux (pour coupe du diviseur d'air)



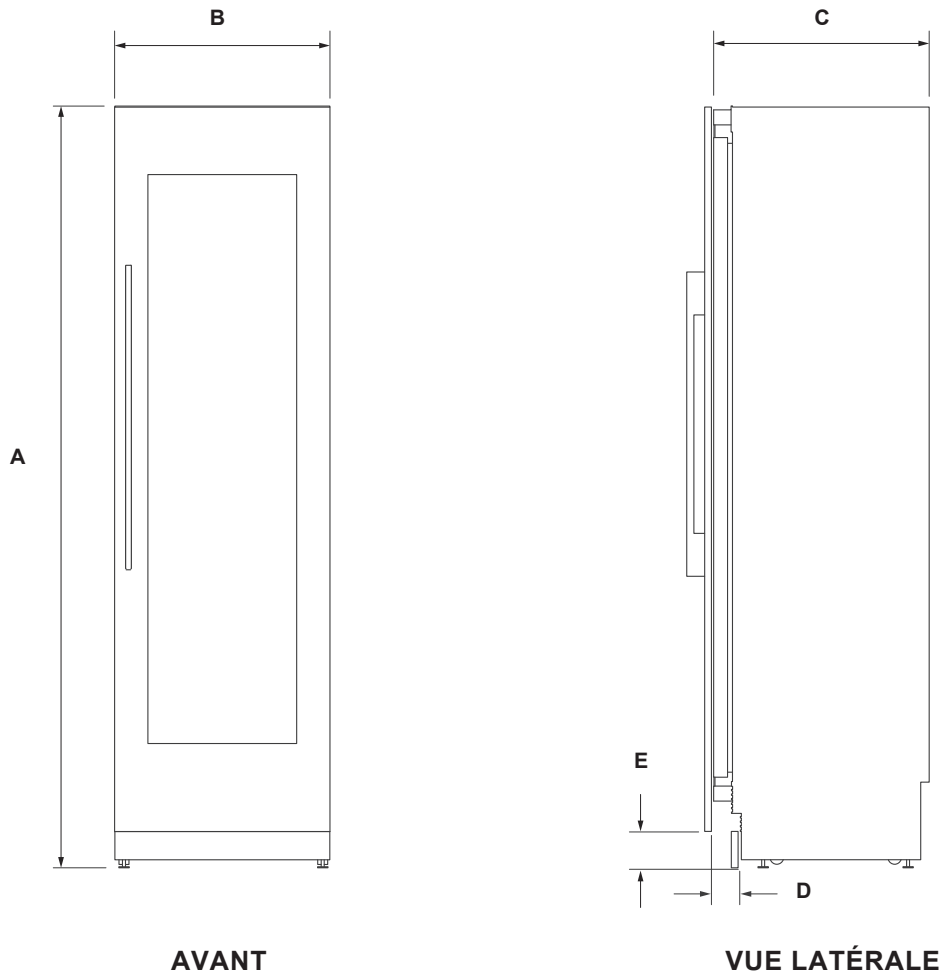
Diable



Crayon

Dimensions

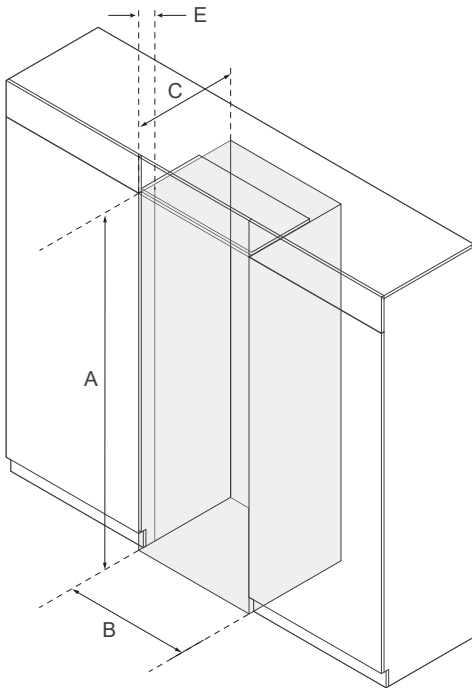
DIMENSIONS DU PRODUIT



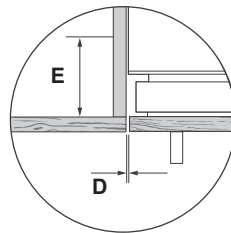
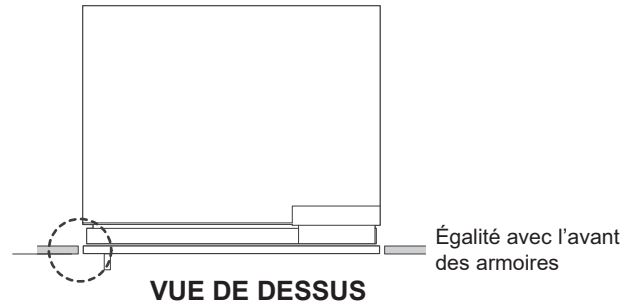
Dimensions du produit	po	cm
A. Hauteur totale	83 3/4"	212.7cm
B. Largeur totale	23 3/4"	60.3cm
C. Profondeur totale (sauf panneau de porte)	24"	61cm
D. Profondeur du coup-de-pied (mesurée depuis l'arrière du panneau de porte)	2 7/8" – 4"	7.3 – 10.2cm
E. Hauteur du plancher au bas du panneau de porte	4"	10.2cm

Dimensions

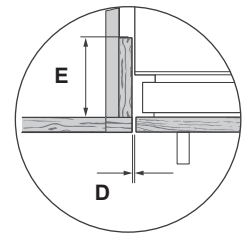
DIMENSIONS DE LA CAVITÉ DES ARMOIRES



DIMENSIONS DE LA DÉCOUPE



Alignement de l'appareil avec les armoires

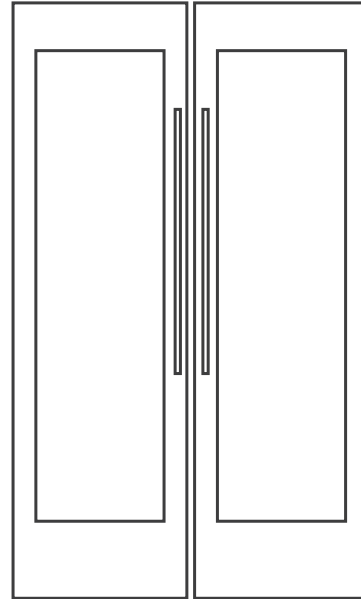
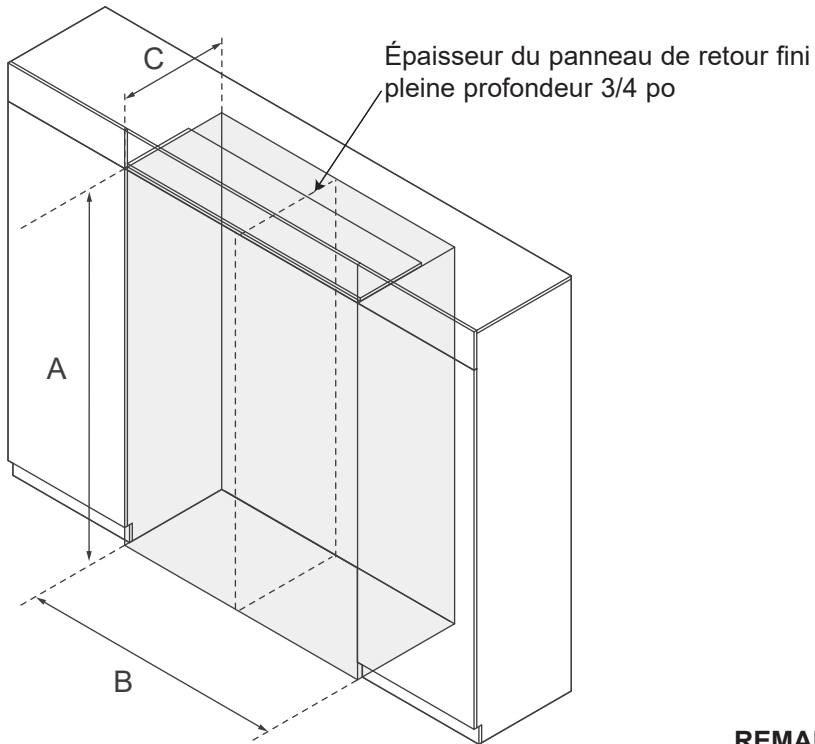


Alignement de l'appareil avec le cadre des armoires

Dimensions de la cavité des armoires	po	cm
A. Hauteur totale de la cavité	84"	213.4cm
B. Largeur totale de la cavité	24"	61cm
C. Profondeur totale minimale de la cavité	25"	63.5cm
D. Espace minimal entre le bord du panneau de porte et les armoires	1/8"	0.3cm
E. Retour fini minimum requis	4"	10.2cm

Dimensions

DIMENSIONS DE LA CAVITÉ DES ARMOIRES – INSTALLATION DOUBLE

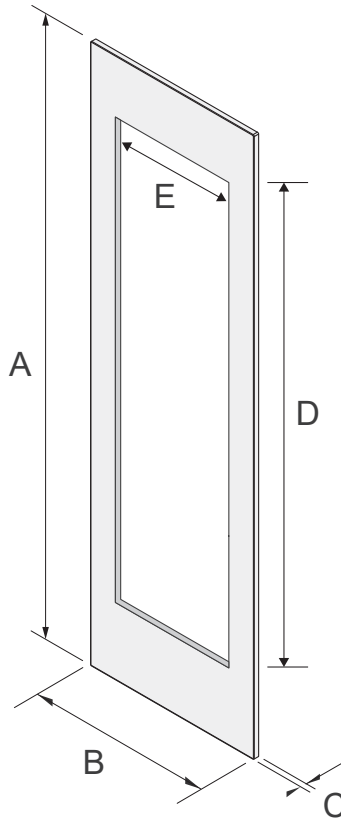


REMARQUE : Installation poignée à poignée seulement.

Dimensions de la cavité des armoires	po	cm
A. Hauteur totale de la cavité	84"	213.4cm
B. Largeur totale de la cavité	48 3/4"	123.8cm
C. Profondeur totale minimale de la cavité	25"	63.5cm
E. Espace minimal entre le bord du panneau de porte et les armoires	1/8"	0.3cm

Dimensions

DIMENSIONS DU PANNEAU DE PORTE



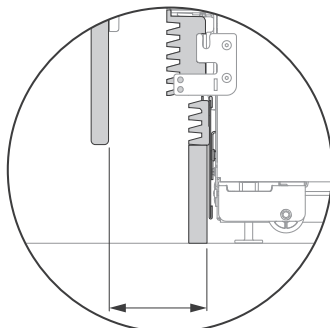
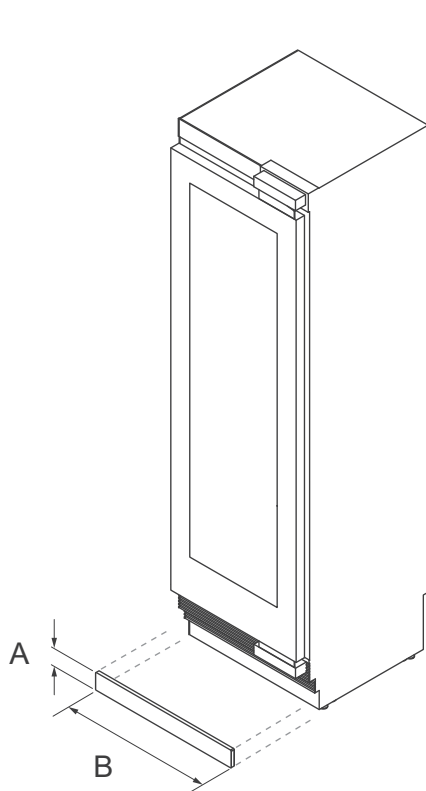
Dimensions du panneau de porte	po	cm
A. Hauteur du panneau de porte *	79 7/8"	202.9
B. Largeur du panneau de porte	23 3/4"	60.3
C. Épaisseur du panneau de porte	3/4"	1.9
D Hauteur du panneau de verre	62 9/16"	158.9
E Largeur du panneau de verre	16 5/16"	41.5

*Panneau de porte en acier inoxydable et panneau de porte personnalisé avec coup-de-pied de 4 po (10,2 cm) de haut.

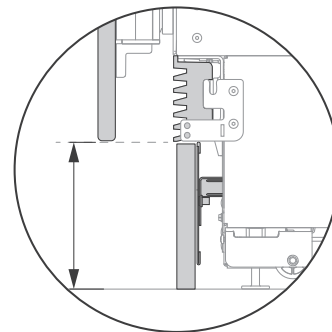
IMPORTANT : Le poids maximal du panneau de porte personnalisé est de 22 lb (10 kg).
Ne recouvrez pas le verre.

Dimensions

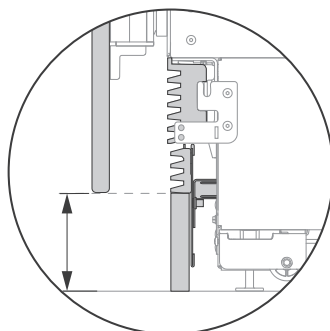
OPTION DE COUP-DE-PIED PERSONNALISÉ



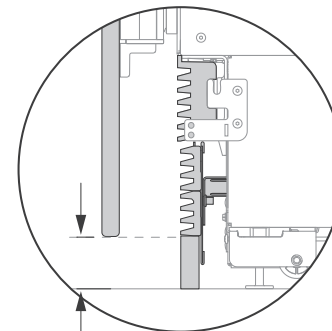
2 7/8 à 4 po (73 à 102 mm) Profondeur de coup-de-pied mesurée depuis l'arrière du panneau de porte (la position de profondeur du coup-de-pied peut être modifiée en ajustant les supports de la plaque de montage du coup-de-pied. Reportez-vous à la section « Installation du coup-de-pied ».)



6 po (152 mm) Hauteur du coup-de-pied (sans grille inférieure attachée)



4 po (102 mm) Hauteur du coup-de-pied (hauteur de coup-de-pied standard)



2 po (51mm) Hauteur du coup-de-pied (avec grille inférieure supplémentaire attachée)

REMARQUE : Si la hauteur du coup-de-pied personnalisé est de 4 1/2 po à 5 po, la grille inférieure doit être coupée. Voir « Installations des grilles ».

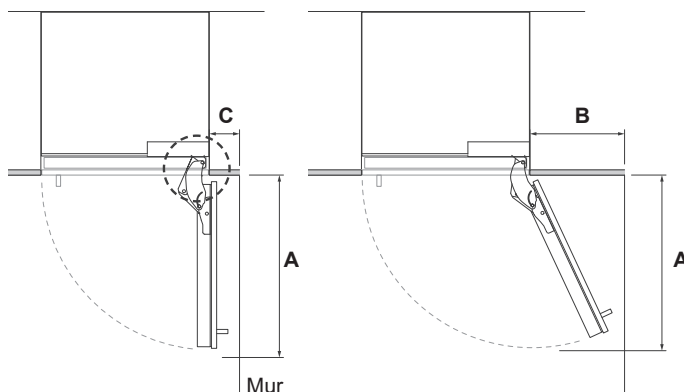
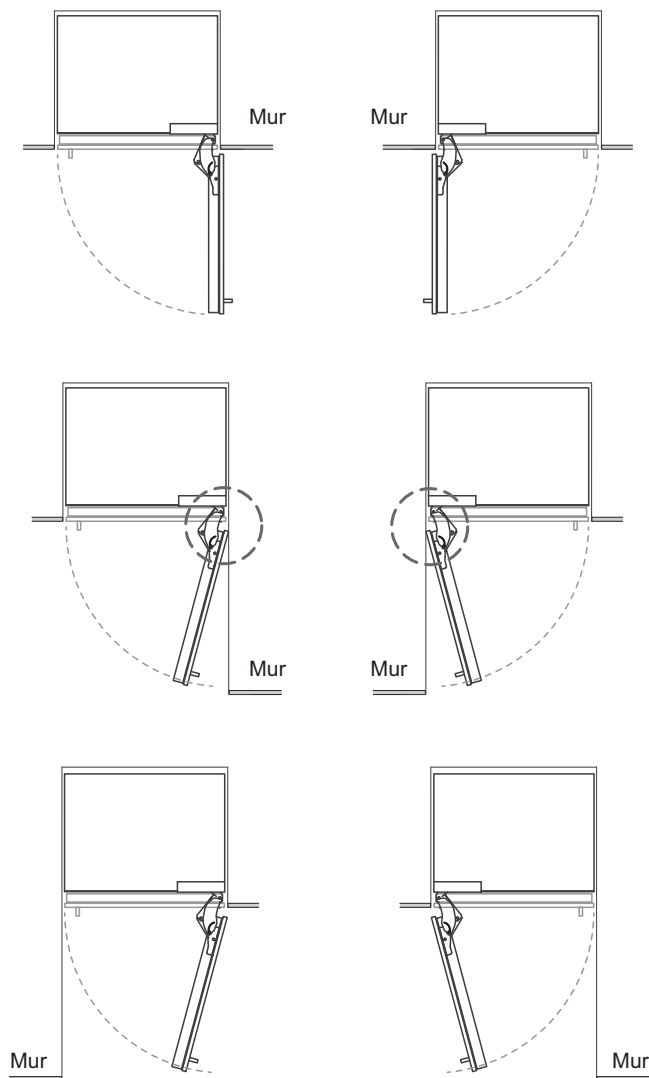
REMARQUE : La grille inférieure supplémentaire n'est pas fournie avec le produit et peut être achetée séparément. Utilisez la référence WR13X46927 pour commander une grille inférieure supplémentaire.

Dimensions du coup-de-pied	po	cm
A. Hauteur du coup-de-pied*	4"	10.2cm
B. Largeur du coup de pied	23 7/8"	60.6cm

*La hauteur standard du coup-de-pied est de 4 po (102 mm).

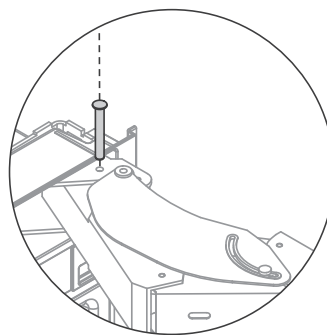
Dimensions

OPTIONS D'INSTALLATION



**PORTE OUVERTE
À 90°**

**PORTE OUVERTE
À 115°**



Insertion des chevilles de limitation de charnière

Si vous souhaitez limiter l'ouverture maximale de la porte à 90°, insérez les chevilles de limitation (fournies) dans le trou des charnières supérieure et inférieure avant de pousser l'appareil dans les armoires. Assurez-vous de pousser les chevilles insérées complètement vers le bas avant de fermer la porte.

Les illustrations ci-dessus montrent les options d'installation acceptables par rapport à l'angle d'ouverture de la porte. Soyez conscient des points de contact (encadrés) des portes ou des poignées. Si nécessaire, utilisez des chevilles de limitation de charnière pour limiter l'ouverture de la porte à 90°.

REMARQUE : Le produit est livré seulement avec des charnières sur le côté droit. Si l'installation nécessite l'inversion du sens d'ouverture de la porte, suivez les instructions de la section « Inversion du sens d'ouverture de la porte » pour inverser le pivotement de la porte AVANT de retirer l'appareil de son patin d'expédition et avant de suivre les autres étapes.

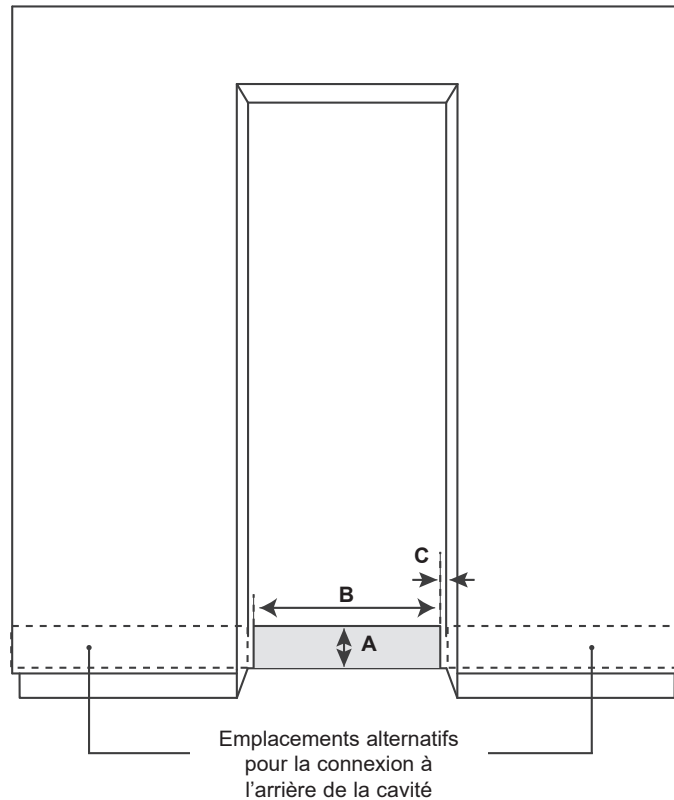
Dimensions basées sur une hauteur de poignée de 2 9/16 po (6,5 cm).

Dégagements de la porte	po	cm
A. Largeur de la porte (90°) mesurée depuis l'avant de la porte	26"	66cm
B. Dégagement min. de la porte au mur adjacent (115°)	15"	38.1cm
C. Dégagement min. de la porte au mur adjacent (90°)	5 1/4"	13.3cm

Dimensions

SPÉCIFICATIONS ÉLECTRIQUES :

Une alimentation électrique distincte de 115 volts, 60 Hz, 15 ou 20 ampères, est recommandée pour chaque produit. Un circuit de dérivation ou un disjoncteur distincts correctement mis à la terre sont recommandés. Installez une prise électrique à trois alvéoles correctement mise à la terre encastrée dans le mur arrière. Il est recommandé de placer l'électricité derrière ou à côté de l'appareil, comme illustré ci-dessous.



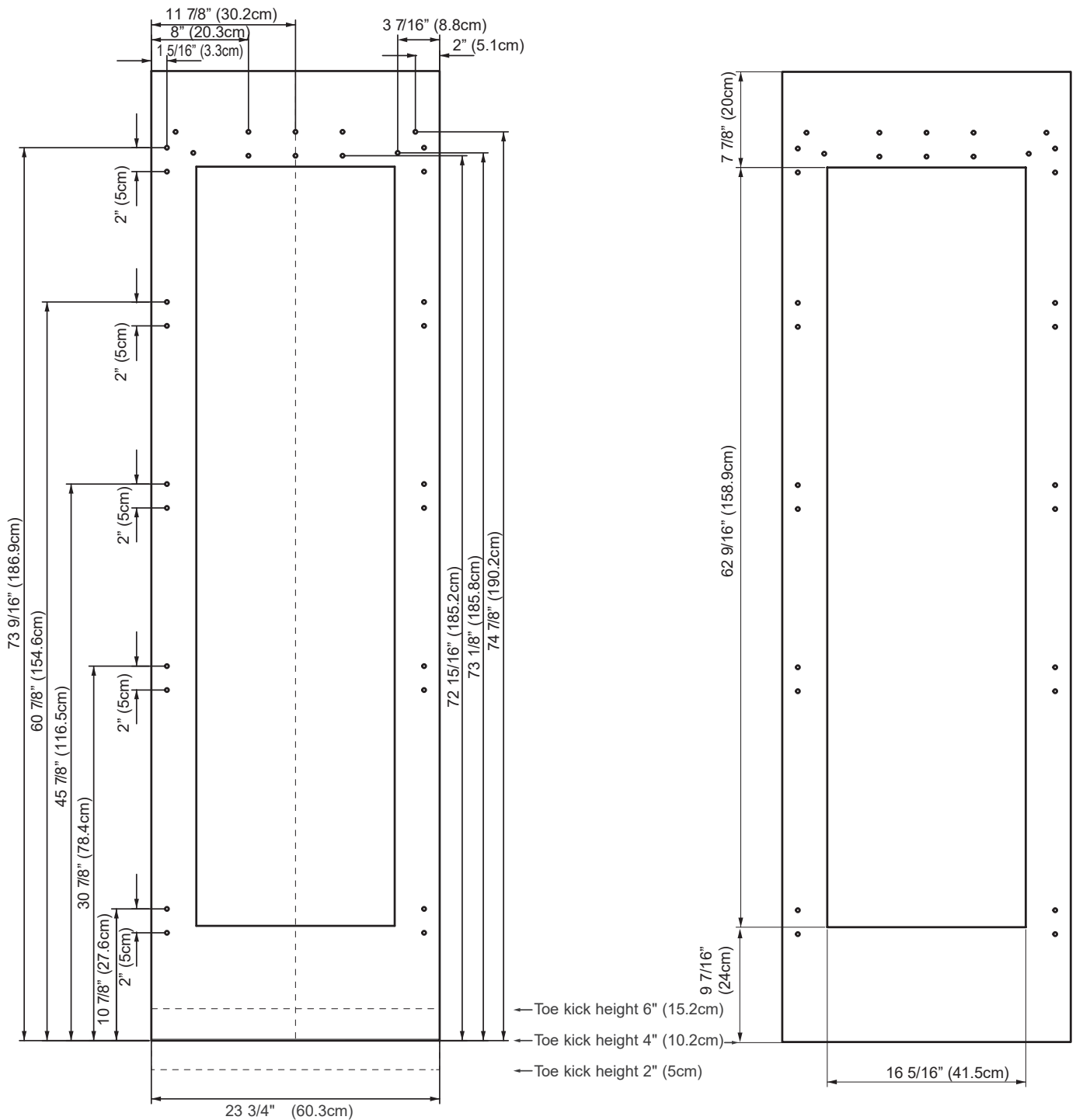
Dimensions de la zone d'alimentation électrique	po	cm
A. Hauteur totale de la zone d'alimentation	9"	22.9cm
B. Largeur totale de la zone d'alimentation	22"	55.9cm
C. Dégagement des deux côtés	1"	2.5cm

Dimensions

DIMENSIONS DU PANNEAU DE PORTE PERSONNALISÉ

Le panneau de porte personnalisé doit laisser la vitre visible. Le panneau personnalisé NE PEUT PAS COUVRIR LA VITRE.

Un gabarit est fourni dans la trousse d'installation des garnitures. Suivez les instructions du gabarit pour percer les trous de guidage.



Avant l'installation

EMPLACEMENT DU RÉFRIGÉRATEUR/ CONGÉLATEUR

- N'installez pas l'appareil à un endroit où la température descendra en dessous de 55 °F (13 °C). L'appareil ne fonctionnera pas suffisamment souvent pour maintenir les températures appropriées.
- N'installez pas l'appareil à des températures supérieures à 100 °F (37 °C). L'appareil ne fonctionnera pas correctement.
- N'installez pas l'appareil dans un endroit exposé à l'eau (pluie, etc.) ou à la lumière directe du soleil.
- Installez l'appareil sur un plancher suffisamment solide pour supporter son poids pleinement chargé.

⚠ AVERTISSEMENT



Risque de basculement.

Cet électroménager est lourd du haut. Usez d'extrême prudence en le déplaçant afin de prévenir un basculement susceptible d'occasionner des blessures graves ou la mort.

PLANCHER

Une installation correcte exige que ce produit soit placé sur la surface de niveau d'un matériau solide de la même hauteur que le reste du plancher. Cette surface doit être suffisamment solide pour supporter une colonne de vin complètement chargée.

REMARQUE : Protégez le fini du plancher.

REMARQUE : Non recommandé pour une installation sur moquette.

MISE À LA TERRE DE L'APPAREIL

⚠ AVERTISSEMENT



Risque d'électrocution

Le non-respect de ces instructions peut occasionner un décès, un incendie ou un choc électrique.

Le cordon d'alimentation de cet appareil est muni d'une fiche à 3 broches (mise à la terre) qui se branche dans une prise murale ordinaire à 3 alvéoles (mise à la terre) pour réduire au minimum les risques de chocs électriques.

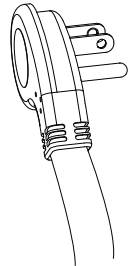
Faites examiner la prise de courant et le circuit par un électricien qualifié pour vous assurer que la prise est correctement mise à la terre.

Dans le cas d'une prise biphasée (2 alvéoles), l'installateur a la responsabilité et l'obligation de la remplacer par une prise triphasée correctement mise à la terre.

EN AUCUN CAS, NE COUPEZ OU NE RETIREZ LA TROISIÈME BROCHE (DE MISE À LA TERRE) DU CORDON D'ALIMENTATION.

N'UTILISEZ PAS UNE FICHE D'ADAPTATION POUR BRANCHER LE RÉFRIGÉRATEUR DANS UNE PRISE À DEUX BORNES.

N'UTILISEZ PAS UN CORDON DE RALLONGE AVEC CET APPAREIL.

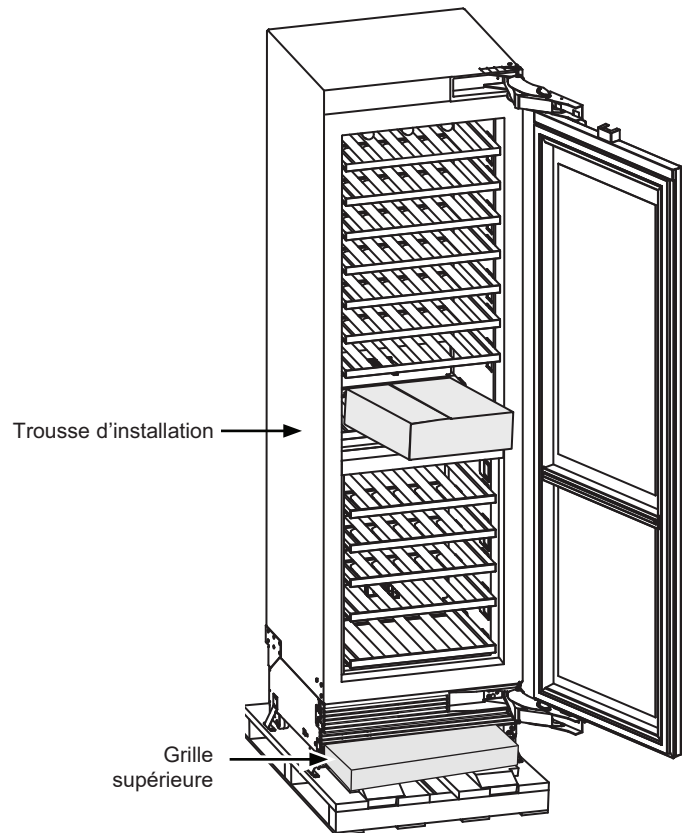
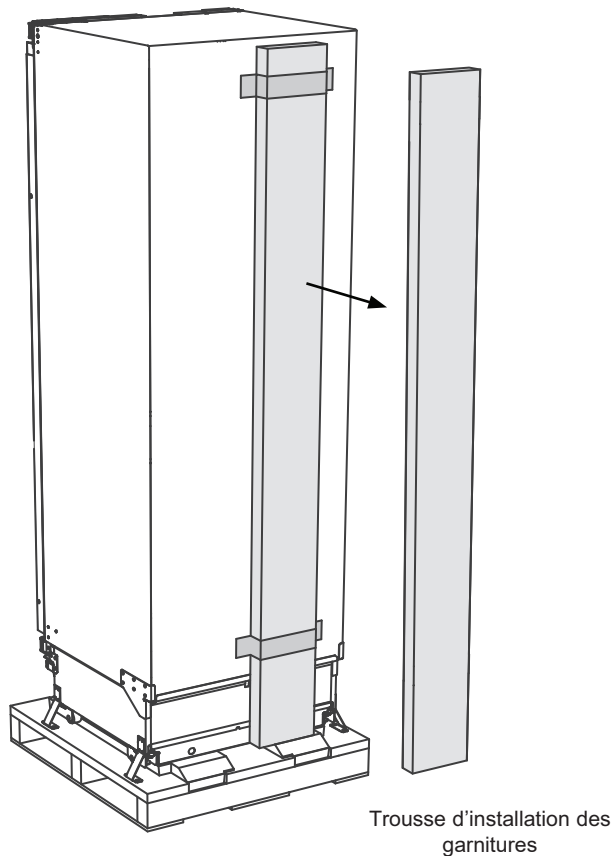


Avant l'installation

RETRAIT DE L'EMBALLAGE

- Retirez la boîte extérieure et l'emballage extérieur de la colonne de vin.
 - Une boîte de pièces est collée à l'arrière de l'appareil. Ces pièces seront utilisées lors de l'installation du panneau de porte. Reportez-vous à la **TROUSSE D'INSTALLATION DES GARNITURES** dans la section **PIÈCES ET OUTILS FOURNIS**.
 - Une boîte de pièces se trouve à l'intérieur du compartiment supérieur. Ces pièces seront utilisées pendant l'installation du panneau de porte. Reportez-vous à la **TROUSSE D'INSTALLATION** dans la section **PIÈCES ET OUTILS FOURNIS**.
 - Une boîte de pièces se trouve à l'avant de l'appareil, sous la porte vitrée. Cette boîte contient une grille supérieure pour changer les charnières de droite à gauche. Reportez-vous à la section **PIÈCES ET OUTILS FOURNIS**.
- Vérifiez l'absence de dommages.
 - Assurez-vous que le revêtement de sol sous l'appareil est propre et exempt de débris qui pourraient endommager le sol en s'agglutinant sur ou devant les roues. Il est aussi recommandé que le plancher soit protégé par un recouvrement plastique pendant la durée de l'installation.

REMARQUE : Le produit est livré seulement avec des charnières sur le côté droit. Si l'installation nécessite l'inversion du pivotement de la porte, suivez les instructions de la section « Inversion du sens d'ouverture de la porte » pour inverser le pivotement **AVANT DE RETIRER L'APPAREIL** de son patin d'expédition et avant de suivre les autres étapes.



Avant l'installation

RETRAIT DES PIÈCES PRÉINSTALLÉES

Garniture supérieure

Dégagez une extrémité de la garniture supérieure des bandes de verrouillage doubles du côté sans charnière.

Faites glisser la garniture supérieure hors de la poche de charnière supérieure.

Couvercle de porte supérieur

Retirez délicatement les capuchons d'extrémité du couvercle supérieur des deux extrémités du couvercle en soulevant légèrement l'extrémité du couvercle supérieur et en faisant glisser le capuchon d'extrémité latéralement.

Déclipsez et libérez le centre du couvercle du dessous du boîtier de l'aimant sur la porte pour retirer le couvercle.

Assurez-vous que l'aimant reste en place et qu'il n'est pas endommagé car cela affecterait le fonctionnement de l'appareil.

Grille supérieure

Retirez le couvercle de la poche de charnière inférieure en insérant un tournevis à tête plate dans la fente.

Ouvrez le loquet central sur la grille supérieure en poussant une fois sur la partie supérieure du loquet pour déclipser et dévisser la vis n° 8 x 16. Retirez la grille supérieure en dévissant les vis n° 8 x 16 des deux extrémités de la grille.

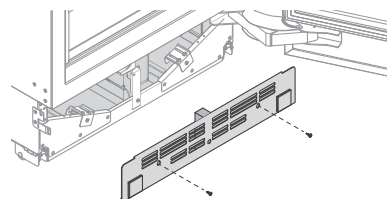
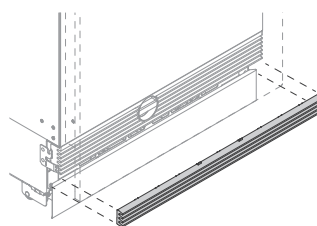
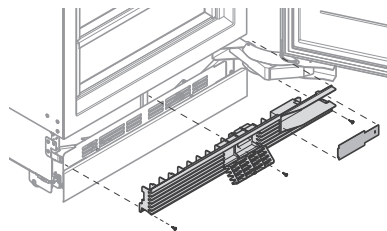
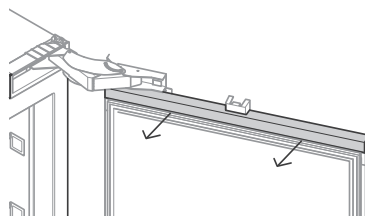
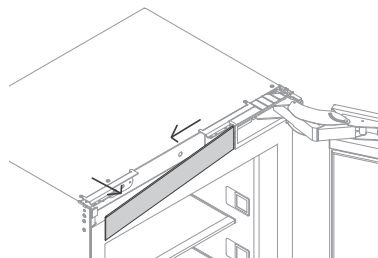
Grille inférieure

La grille inférieure est détachable par les aimants.

Plaque de montage du coup-de-pied

Retirez les vis pour détacher la plaque de montage du coup-de-pied.

Mettez de côté toutes les pièces retirées pour les réutiliser ultérieurement.



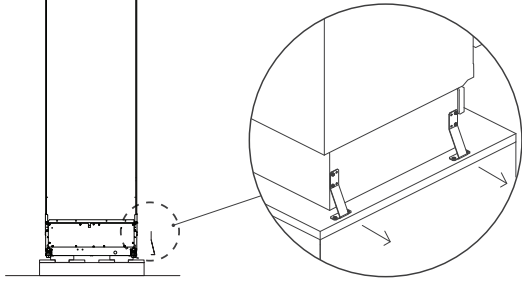
Avant l'installation

DÉPLACEMENT DE VOTRE APPAREIL

Faites attention lorsque vous inclinez l'appareil vers l'avant ou vers l'arrière. Fermez la porte à l'aide de ruban adhésif pour empêcher son ouverture pendant le déplacement. Deux personnes au moins sont nécessaires pour déplacer cet appareil.

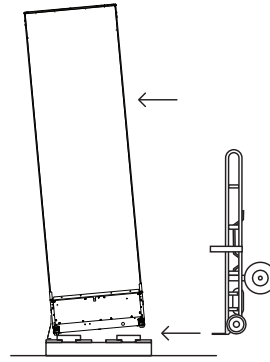
1

Retirez les supports du côté sans charnière de la palette.



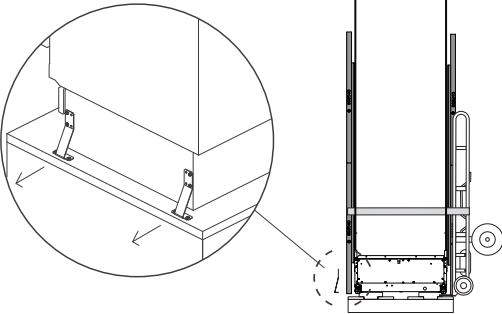
2

Inclinez légèrement l'appareil vers l'avant et insérez le diable entre la palette et l'appareil.



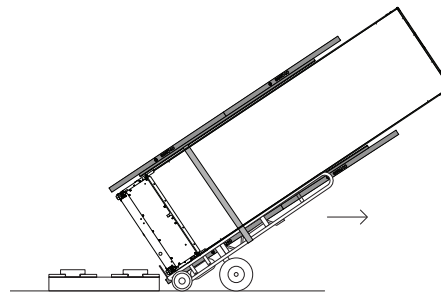
3

Fixez l'appareil à l'aide d'une sangle et retirez les supports restants.



4

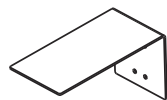
Inclinez l'appareil vers l'arrière pour charger l'appareil sur le diable et mettez la palette de côté.



Poussez le diable jusqu'à l'emplacement d'installation.

INSTALLATION DU SUPPORT ANTIBASCULEMENT

Trousse d'assemblage du support antibasculement



Support antibasculement (1)

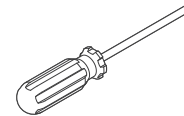


Ancrage de maçonnerie (4)

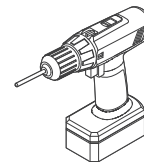


Vis cruciforme No 10 x 35 (4)

Outils requis



Tournevis cruciforme



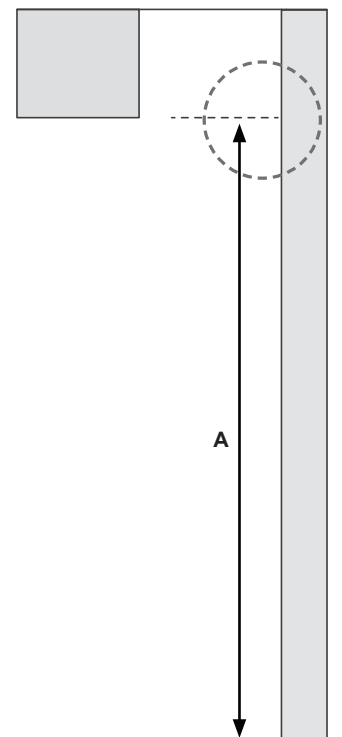
Visseuse électrique



Crayon

Installation du support antibasculement

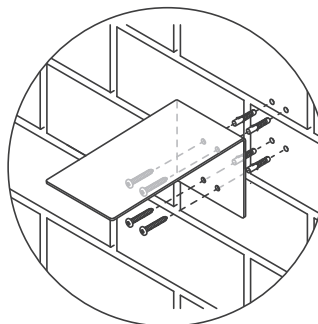
FIXATION DU SUPPORT ANTIBASCULEMENT



1

Mesurez la hauteur (**A**) du point de fixation entre le plancher et le retour de l'alcôve.

- La hauteur (**A**) ne doit pas dépasser 84 3/16 po (213 cm) pour éviter que l'appareil ne bascule pendant l'installation.

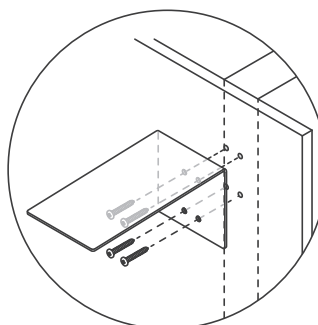


4

Pour une installation sur mur solide

Percez des trous adaptés à la taille des ancrages de maçonnerie.

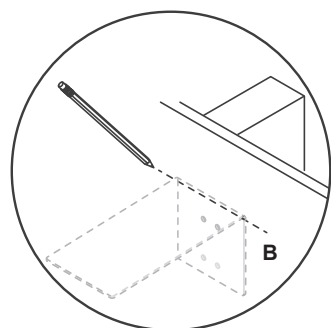
Marteler les ancrages de maçonnerie 10 x 30 mm dans le mur jusqu'à ce qu'ils affleurent. Fixez le support au mur à l'aide de vis cruciformes no 10 x 35 mm et vissez fermement.



5

Pour mur en plaques de plâtre

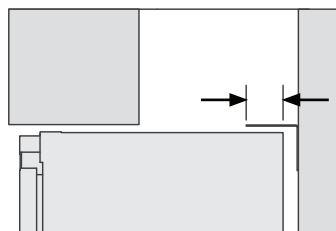
Fixez le support antibasculement au mur à l'aide de vis cruciformes no 10 x 35 mm et serrez fermement à l'aide d'un tournevis.



2

Tracez une ligne horizontale (**B**) sur le mur arrière.

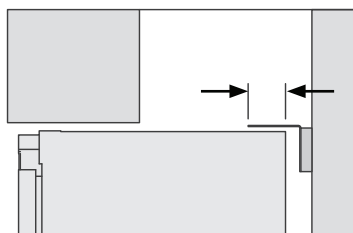
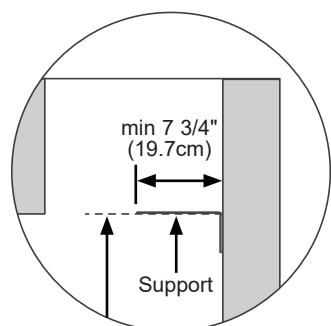
- Assurez-vous qu'il y a un montant derrière le mur.



3

Placez le support sur le mur du fond. Alignez la surface inférieure du support le long de la ligne tracée.

Marquez l'emplacement des trous de vis et percez les trous de vis à l'aide d'une perceuse électrique.



Lorsque vous faites rouler l'appareil dans les armoires, assurez-vous que le support antibasculement chevauche le bord arrière de l'appareil.

- Le support doit chevaucher l'appareil d'au moins 7 1/16 po (18 cm) pour une prise solide.

Si un chevauchement minimum de 7 1/16 po (18 cm) ne peut pas être obtenu, installez un espaceur solide sur le montant mural derrière le support.

- Veillez à ne pas passer sur le cordon d'alimentation lorsque vous faites rouler l'appareil.

Préparation de l'appareil

ÉTAPE 1 RETRAIT DU SUPPORT DE SUSPENSION

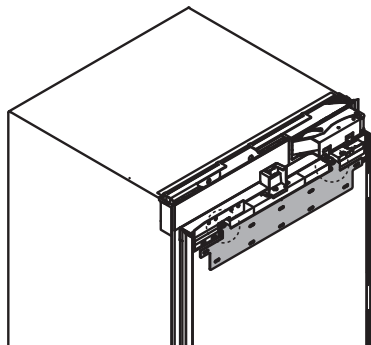
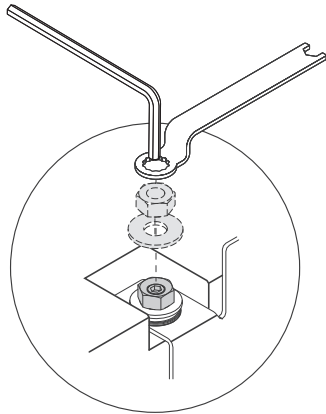
Outils requis



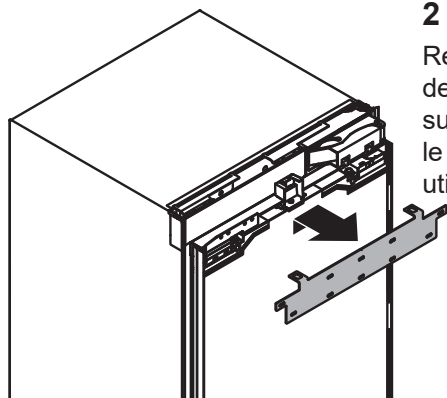
Clé hexagonale



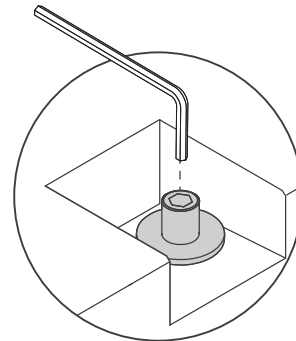
Clé d'appoint



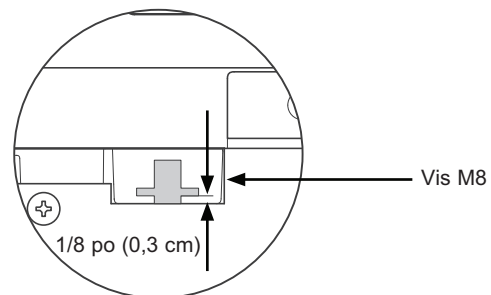
1
Retirez l'écrou M8 et la rondelle M8 de la vis M8 en haut de la porte à l'aide de la clé hexagonale et de la clé d'appoint fournies.



2
Retirez le support de suspension supérieur et mettez-le de côté pour une utilisation ultérieure.



3
Desserrez les vis M8 1/8 po (0,3 cm)

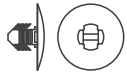


Vis M8

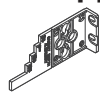
1/8 po (0,3 cm)

Préparation de l'appareil

Trousse de fixation de l'appareil

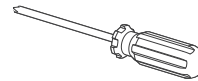


Bouchons barbelés (2)



Jauge d'alignement de profondeur de l'armoire (4)

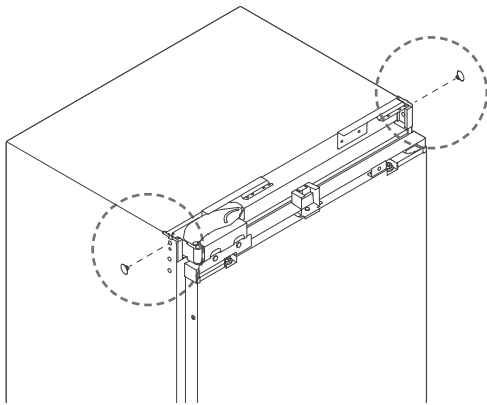
Outils requis



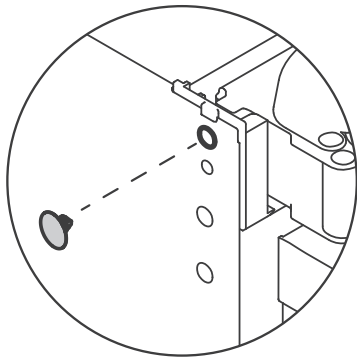
Tournevis cruciforme

ÉTAPE 2

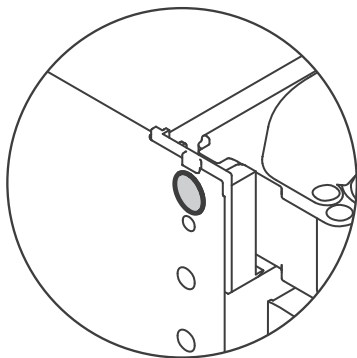
FIXATION DES BOUCHONS BARBELÉS



Les illustrations peuvent différer de celles de l'appareil que vous avez acheté.



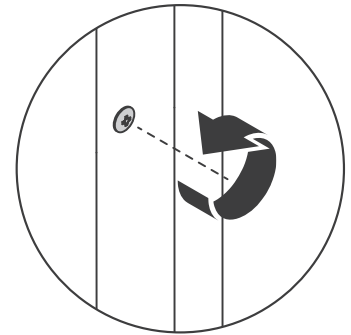
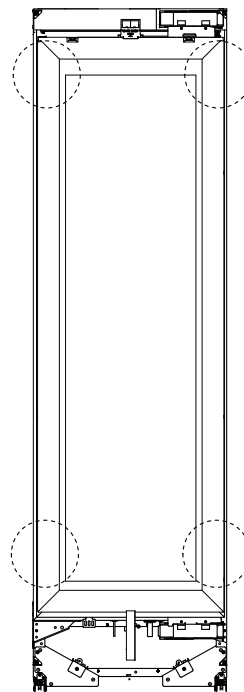
Avant de pousser l'appareil dans la cavité, insérez un bouchon barbelé dans les grands trous situés en haut à droite et à gauche de l'appareil.



Les bouchons protègent la surface intérieure des armoires contre les dommages causés par les vis lorsque vous poussez l'appareil.

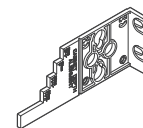
ÉTAPE 3

FIXATION DES JAUGES D'ALIGNEMENT DE PROFONDEUR

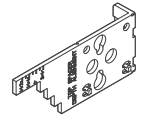


Desserrez les vis droite et gauche dans le haut et le bas des côtés de la porte.

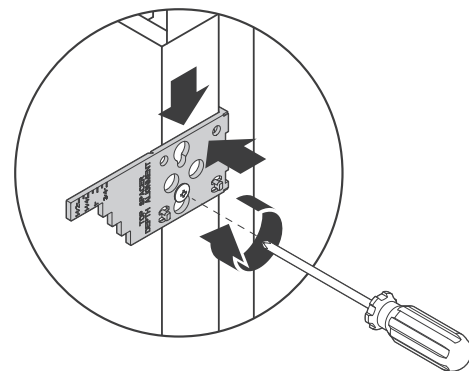
Placez les jauges d'alignement correctement orientées par rapport aux vis droite et gauche.



Gauche



Droite



Placez la jauge d'alignement en insérant la tête de vis dans le trou en forme de serrure de la jauge.

Poussez la jauge d'alignement vers le bas pour verrouiller la position.

Serrez la vis juste assez pour maintenir fermement la jauge.

• Les jauges d'alignement ne sont que temporaires et doivent être retirées après l'installation.

Préparation du panneau de porte – Panneau en acier inoxydable

Trousse de fixation de panneau de porte



Support latéral (10) Glissière de support (10) Espaceur de support (10)

Vis

De la trousse de panneau de porte en acier inoxydable et de coup-de-pied



Vis à rondelle Mush 8G x 16 (30)

Outils requis



Tournevis électrique – Embout cruciforme

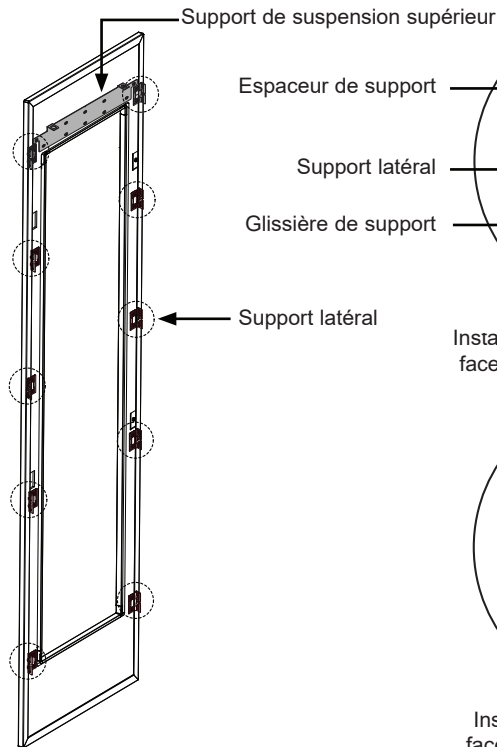
FIXATION DES SUPPORTS

Retirez le ruban bleu collé aux bords intérieurs du panneau de porte avant de fixer les supports.

Découlez la pellicule protectrice des bords intérieurs pour éviter de le coincer sous les supports.

Fixez le support de suspension supérieur aux trous de vis du panneau de porte à l'aide de vis à rondelle Mush 8G x 16 (10).

Fixez l'espaceur de support, le support latéral et la glissière de support (dans l'ordre illustré) dans les trous de vis des deux côtés du panneau de porte à l'aide de vis à rondelle Mush 8G x 16 (20). Le support latéral doit pouvoir se déplacer librement à l'horizontale et la verticale.

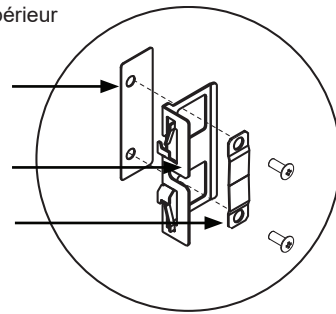


Espaceur de support

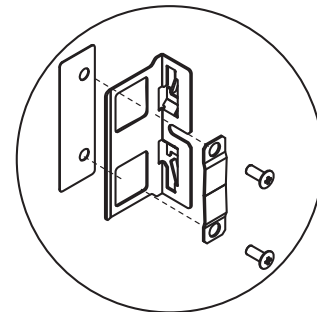
Support latéral

Glissière de support

Support latéral



Installation du côté gauche en faisant face à l'arrière du panneau de porte



Installation du côté droit en faisant face à l'arrière du panneau de porte

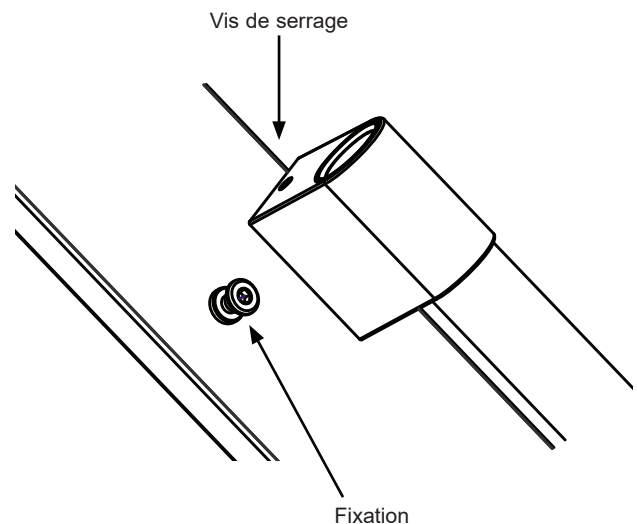
FIXATION DE LA POIGNÉE MINIMALIST OU STATEMENT

Retirez la pellicule protectrice autour de la zone de fixation de la poignée avant d'installer celle-ci. Protégez la finition du panneau de porte pour éviter d'endommager ou de rayer la surface.

Assurez-vous que les vis d'ajustement des couvercles de poignée sont desserrés. Placez la poignée sur les fixations de la porte. Prenez soin de soutenir la poignée par-dessus les fixations de la porte. Veillez à supporter la poignée afin qu'elle ne tombe ou rayer le fini de l'électroménager. Assurez-vous que les deux couvercles de poignée reposent sur la face de la porte. Verrouillez une extrémité de la poignée en serrant la vis d'ajustement dans le couvercle de poignée à l'aide de la clé hexagonale fournie dans la trousse de poignée. Veillez à ne pas trop serrer.

Continuez à soutenir la poignée tandis que vous verrouillez l'autre extrémité de la poignée en serrant la vis de serrage du couvercle de poignée avec la clé hexagonale. Veillez à ne pas trop serrer.






REMARQUE : La clé hexagonale 1/8 po est incluse dans la trousse de poignée.



Vis de serrage

Fixation

Préparation du panneau de porte – Panneau personnalisé

Trousse de fixation de panneau de porte				Outils requis
				
Support latéral (10)	Glissière de support (10)	Espaceur de support (10)	Vis cruciforme M5 x 12 (44)	Visseuse électrique

FIXATION DES SUPPORTS

Reportez-vous à « Dimensions du panneau de porte personnalisé » pour connaître les positions correctes des trous de vis sur le panneau de porte. L'épaisseur du panneau personnalisé doit être de 3/4 po (1,91 cm).

REMARQUE : Nous recommandons que les panneaux décoratifs soient arrondis ou biseautés aux coins et aux bords intérieurs par un fabricant d'armoires afin d'adoucir les bords coupants des panneaux. Les bords à traiter doivent inclure les bords supérieur, inférieur et côté charnière.

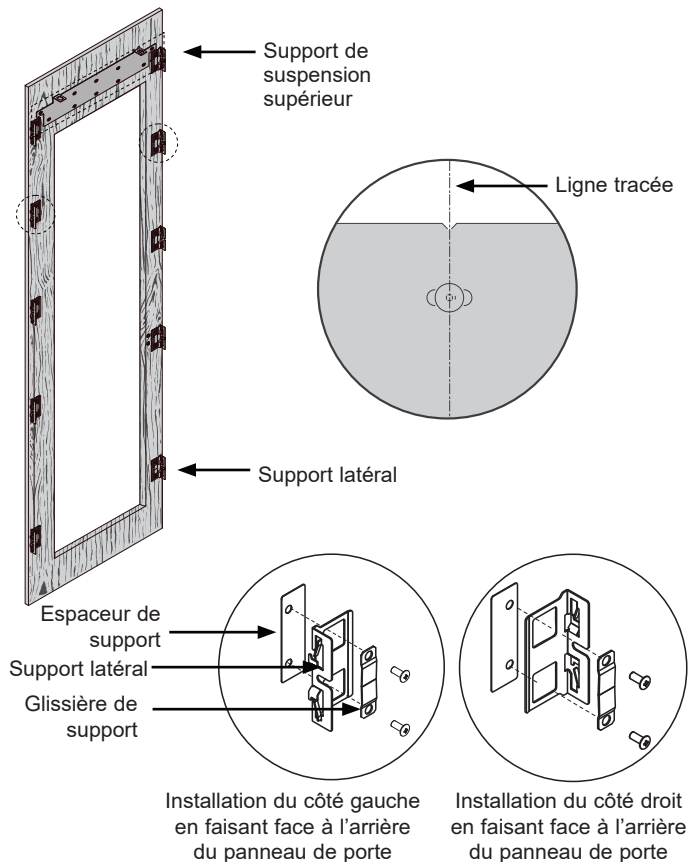
REMARQUE : Il est recommandé de finir la face arrière du panneau. Des parties de la face arrière du panneau seront visibles lorsque la porte est ouverte.

Tracez une ligne au centre du panneau de porte personnalisé.

Alignez l'encoche en V en haut du support sur la ligne centrale.

Fixez le support de suspension supérieur dans les trous de vis du panneau de porte personnalisé à l'aide de vis cruciformes M5 x 12.

Fixez l'espaceur du support, le support latéral et la glissière du support (dans l'ordre illustré) aux trous de vis des deux côtés du panneau de porte à l'aide de vis cruciformes M5 x 12. Le support latéral doit pouvoir se déplacer librement à l'horizontale et la verticale.

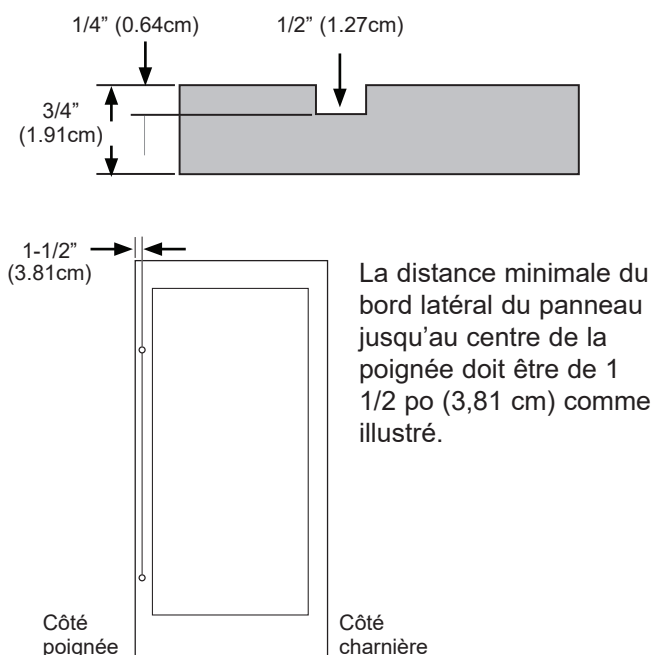


FIXATION DE LA POIGNÉE

Prenez soin d'éviter que les trous de poignée ne heurtent le support de suspension supérieur et les supports latéraux du panneau de porte. Reportez-vous à « Dimensions du panneau de porte personnalisé » pour connaître les positions correctes des trous de vis sur le panneau de porte.

Les panneaux personnalisés nécessitent une poignée personnalisée d'un fabricant d'armoires ou l'utilisation de la trousse de montage de poignée XKPN (vendue séparément) si vous utilisez les poignées Monogram, Statement ou Minimalist (vendues séparément). Pour l'installation d'une poignée personnalisée, pratiquez des contre-trous à l'arrière du panneau décoratif. Assurez-vous qu'il reste une épaisseur de matériau de 1/2 po (1,27 cm) pour le support de la poignée.

REMARQUE : Le diamètre du contre-trou ne doit pas dépasser 1 po (2,54 cm).



Préparation du panneau de porte

Trousse d'installation des garnitures

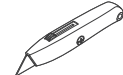


Garniture longue (2)



Garniture courte (2)

Outils requis



Couteau universel

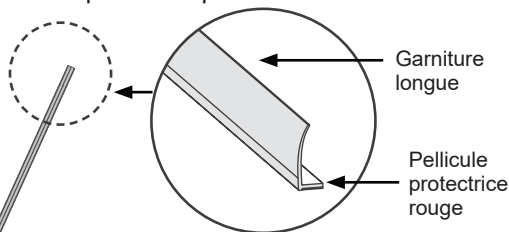
FIXATION DES LONGUES GARNITURES DE VITRE

Les garnitures de vitre sont fixées pour couvrir l'espace entre le panneau de porte et le panneau de verre.

Panneau de porte en acier inoxydable : Retirez la pellicule protectrice du panneau de porte à l'écart des rebords intérieurs avant de poser les garnitures de vitre.

REMARQUE : Les garnitures sont livrées plus longues que nécessaire. Elles devront être coupées à la bonne longueur comme indiqué à l'étape 3.

1



Pelez une petite portion de la pellicule protectrice rouge à une extrémité de la garniture longue.

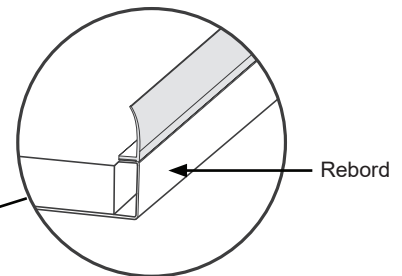
2



Fixez la partie pelée de la garniture en commençant par le haut du rebord sur un côté de la découpe du panneau de porte.

- Assurez-vous que la garniture ne chevauche pas le support de suspension.

Alignez la garniture avec le bord intérieur du rebord.

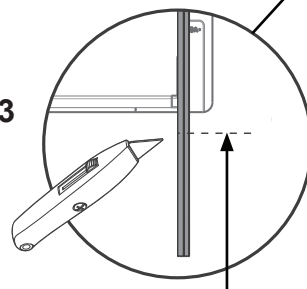


Continuez à fixer la garniture longue sur toute la longueur de la découpe du panneau de porte, en pelant la pellicule protectrice au fur et à mesure.

Coupez la longueur excédentaire de l'extrémité inférieure de la garniture longue.

Répétez toutes les étapes de l'autre côté de la découpe du panneau de porte.

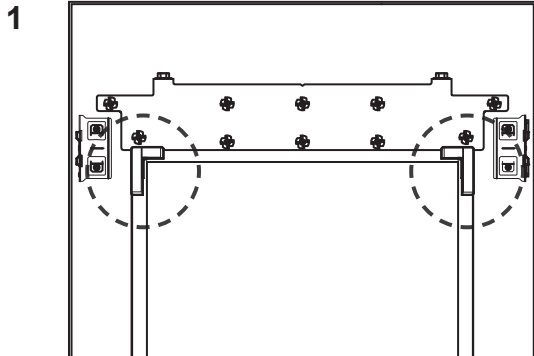
3



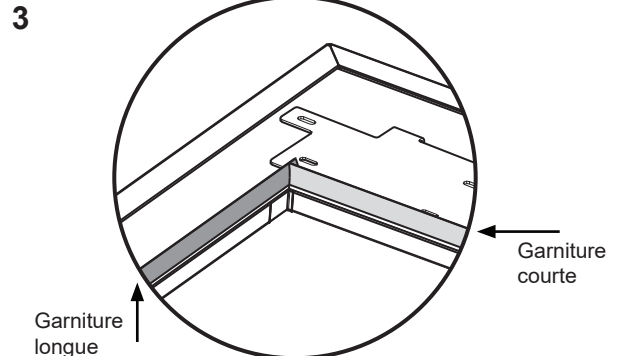
Coupez la longueur excédentaire de la garniture le long de cette ligne

Préparation du panneau de porte

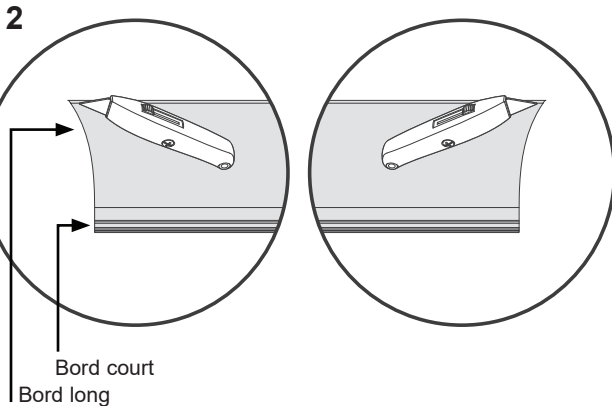
FIXATION DES GARNITURES DE VITRE COURTES



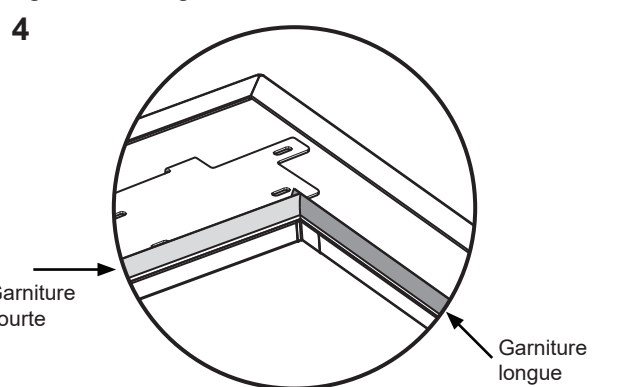
1 Placez la garniture courte sur la longueur de la découpe supérieure du panneau de porte en travers des extrémités supérieures des garnitures longues.



3 Fixez la partie pelée en commençant par une extrémité du rebord perpendiculairement à l'extrémité supérieure de la garniture longue.



2 Coupez les deux extrémités de la garniture courte à la longueur voulue.
Pelez une petite partie de la pellicule protectrice rouge du bord court.



4 Continuez à fixer la garniture courte sur la longueur du haut de la découpe du panneau de porte, en pelant la pellicule protectrice au fur et à mesure.
Assurez-vous que la garniture est alignée sur le bord intérieur du rebord.
Fixez la partie pelée restante de la garniture courte sur le rebord perpendiculaire à l'extrémité supérieure de l'autre garniture longue.

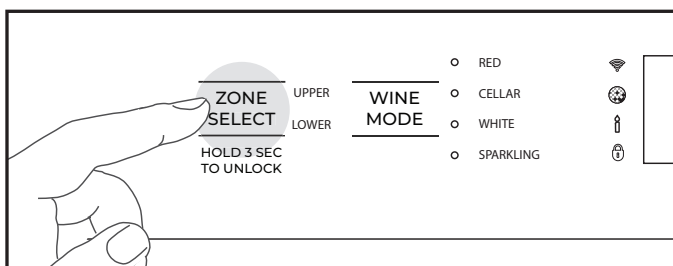
Répétez les étapes 1 à 4 au bas de la découpe du panneau de porte.

REQUIS : RACCORDEMENT DE L'ALIMENTATION ÉLECTRIQUE

À l'arrière de votre appareil, branchez la fiche d'alimentation sur la prise de courant (115 VCA, 60 Hz).

- Un carillon retentit lorsque l'appareil est sous tension.

Lors de la première mise sous tension, votre appareil passe par défaut en mode installation.

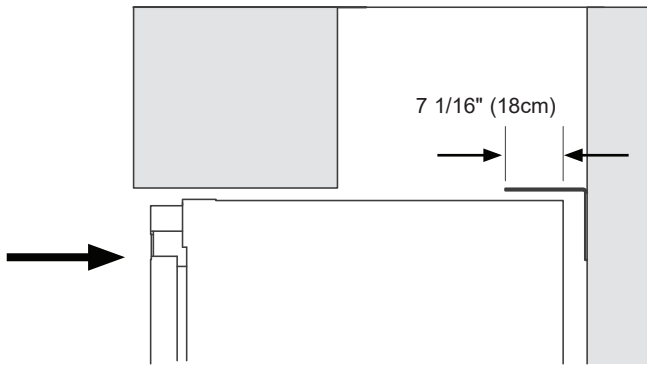


Une fois l'installation terminée, allumez l'appareil en appuyant sur **ZONE SELECT** sur le panneau de commande durant 4 secondes pour démarrer le refroidissement. **REMARQUE** : Si cela n'est pas fait, l'appareil ne refroidit pas.

- Reportez-vous à votre manuel d'utilisation pour plus d'informations sur l'activation de votre appareil.

Alignement de l'appareil dans les armoires

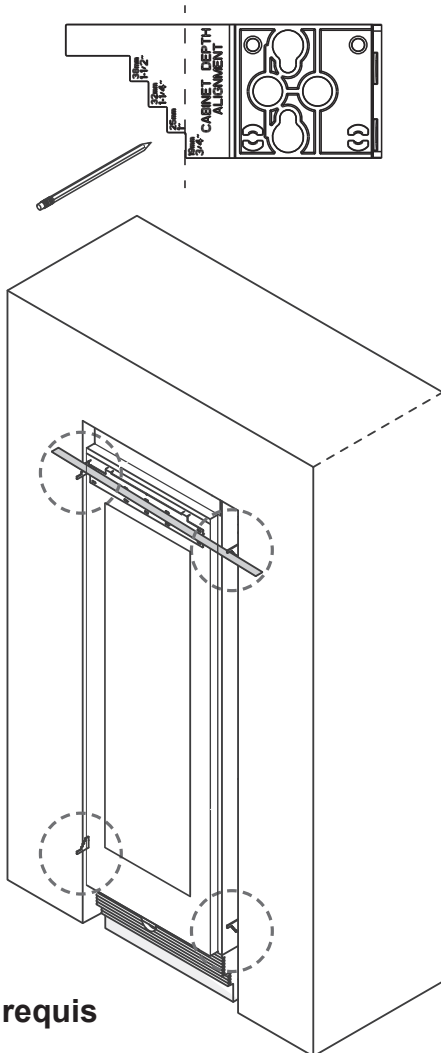
POUSSÉE DANS LES ARMOIRES



Faites rouler l'appareil avec précaution dans les armoires jusqu'à ce que le support antibasculement chevauche le bord arrière de l'appareil.

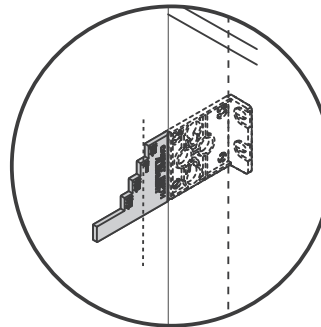
- Assurez-vous que le support chevauche l'appareil d'au moins 7 1/16 po (18 cm) pour une prise solide.
- Veillez à ne pas passer sur le cordon d'alimentation lorsque vous faites rouler l'appareil.

ALIGNEMENT DES JAUGES DE PROFONDEUR

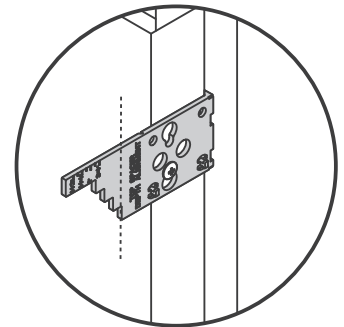


Sur le côté « Cabinet depth alignment » des jauges de profondeur, marquez la « marche » des deux côtés de la porte en fonction de l'épaisseur du panneau de porte.

- L'illustration de l'exemple montre l'épaisseur du panneau de porte 3/4 po (1,9 cm) marquée sur les jauges.

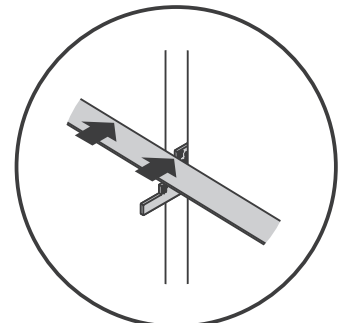
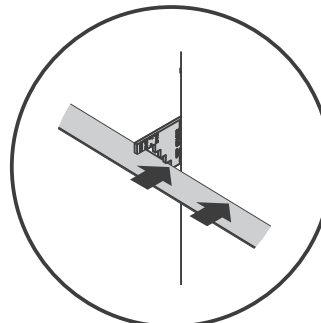


Gauche



Droite

Vérifiez si les espaces entre l'appareil et les parois latérales des armoires sont égaux sur les côtés gauche et droit.

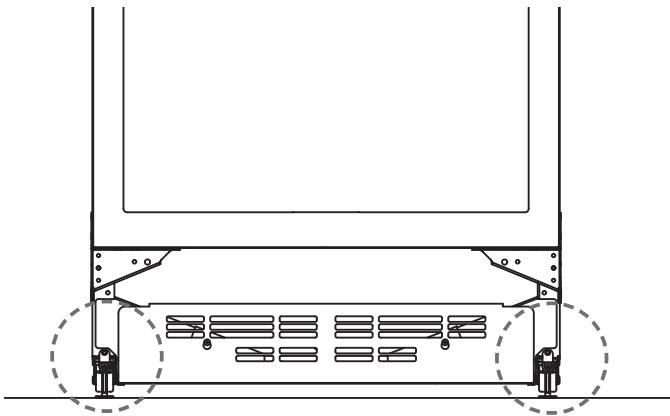


Outils requis

- Règle
- Crayon

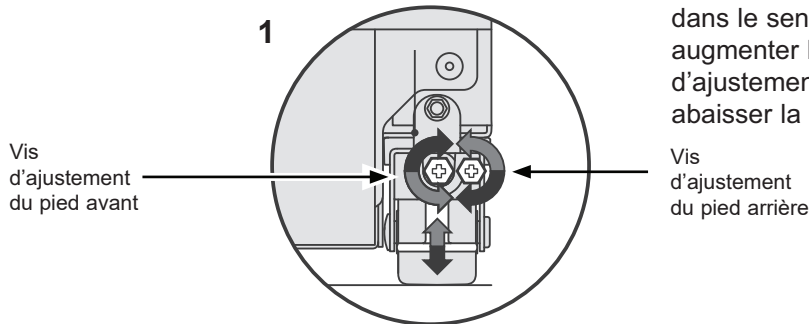
Alignement de l'appareil dans les armoires

AJUSTEMENT DE L'ALIGNEMENT DANS LES ARMOIRES

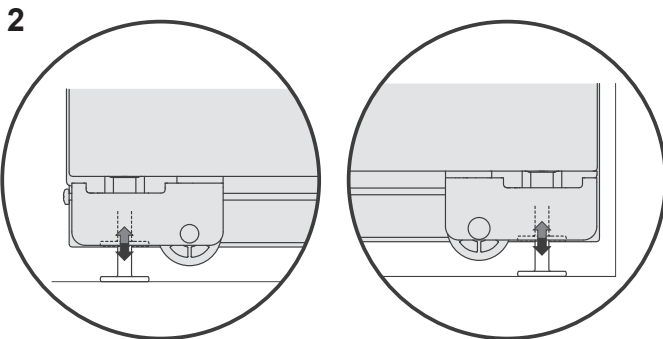


Outils requis

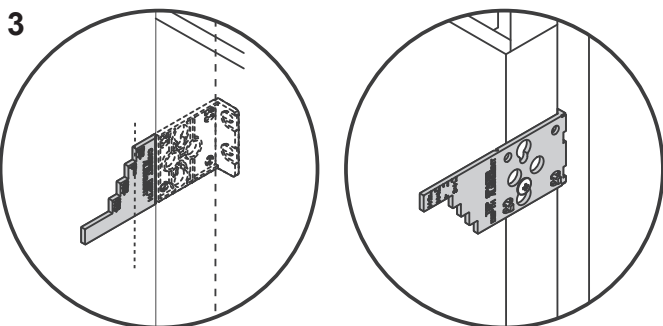
- Tournevis à pointe cruciforme
- Visseuse électrique (en option)
- Tournevis à douille hexagonale (en option)



Tournez les vis d'ajustement avant et arrière dans le sens des aiguilles d'une montre pour augmenter la hauteur de l'appareil. Tournez les vis d'ajustement dans le sens inverse des aiguilles pour abaisser la hauteur de l'appareil.



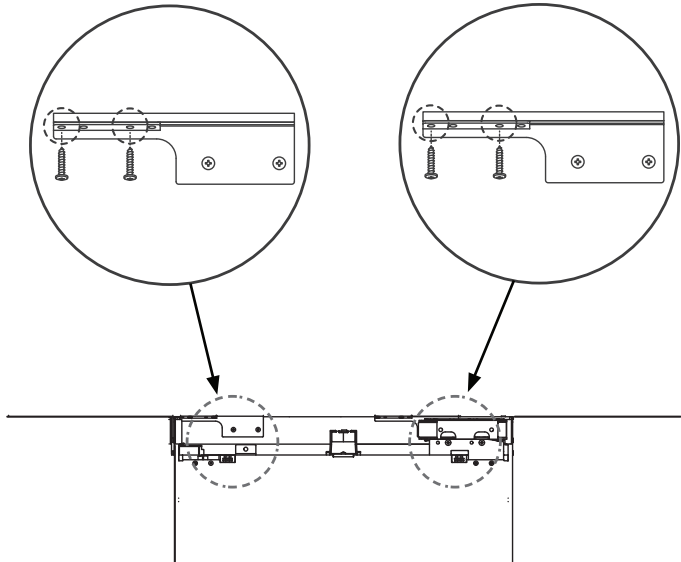
Tournez les vis d'ajustement avant et arrière dans le sens des aiguilles pour étendre les pieds avant et arrière jusqu'à ce qu'ils s'appuient sur le sol et que le support supérieur atteigne le plafond des armoires.



Vérifiez les jauges de profondeur lors du réglage des vis pour maintenir l'alignement de l'appareil.

Fixez l'appareil dans les armoires

FIXATION DES SUPPORTS D'ALCÔVE SUPÉRIEURS



Trousse de fixation de l'appareil

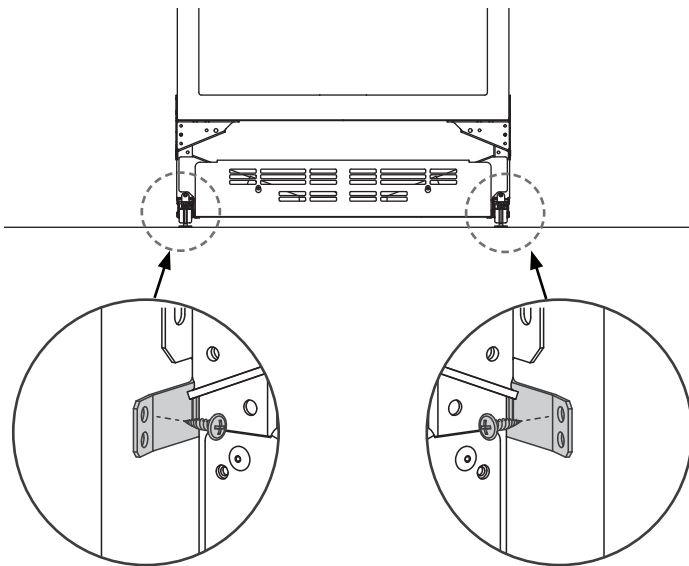
- Vis à tête fraisée 8G x 16 (6)

Outils requis

- Tournevis à pointe cruciforme
- Visseuse électrique (en option)

Fixez les supports d'alcôve supérieurs à la surface du plafond des armoires à l'aide de vis à tête fraisée 8G x 16 (4).

FIXATION DES SUPPORTS LATÉRAUX



Fixez les supports latéraux (2) sur les côtés inférieurs droit et gauche des armoires à l'aide de vis à tête fraisée 8G x 16 (2).

Une fois l'appareil fixé aux armoires, retirez les jauges d'alignement.

Installation du panneau de porte

ÉTAPE 1 ACCROCHAGE DU PANNEAU DE PORTE

Outils requis

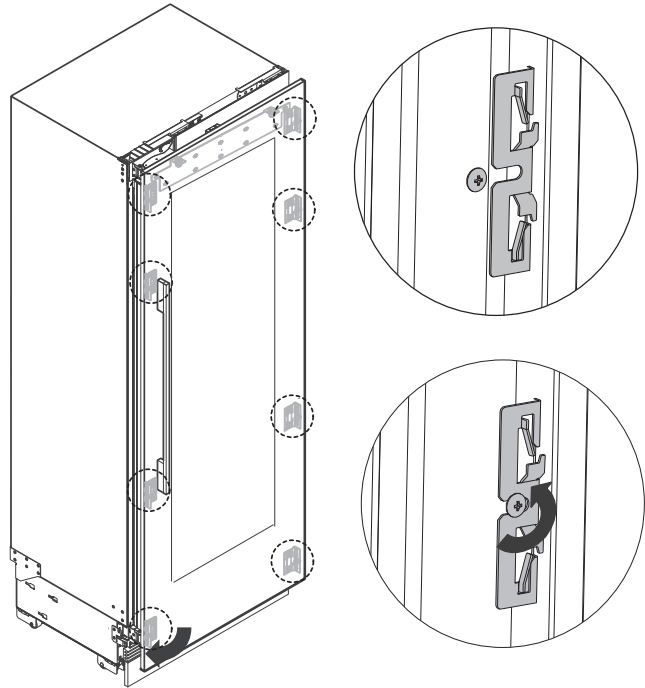
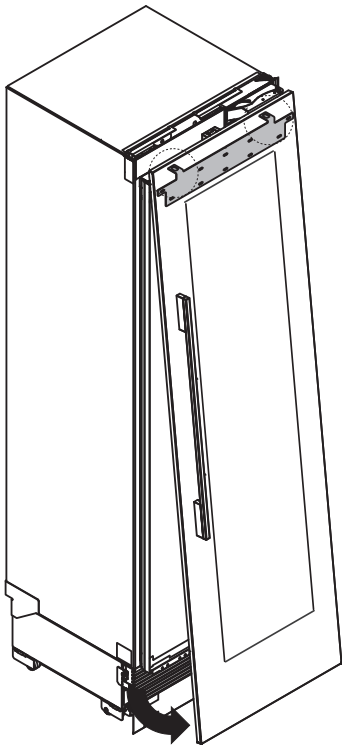
- Tournevis à pointe cruciforme
- Clé d'appoint
- Clé hexagonale

- Desserrez toutes les vis latérales de la porte vitrée, mais ne les retirez pas. Les supports latéraux du panneau de porte glissent dans ces vis.

REMARQUE : L'illustration montre l'emplacement du support de suspension supérieur par rapport à la porte vitrée et au panneau de porte. Le support se trouve en fait derrière le panneau de porte.

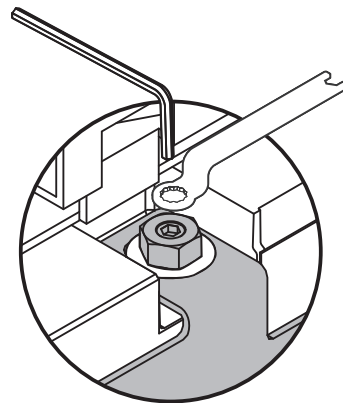
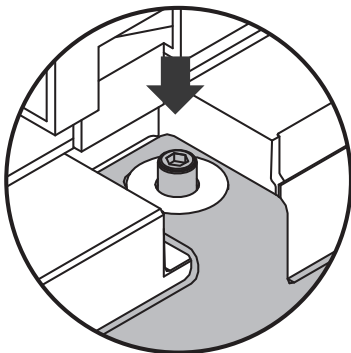
- Alignez le panneau de porte en ligne droite avec la porte vitrée et glissez les supports latéraux dans les vis latérales de la porte vitrée.

- Serrez les vis latérales lâchement pour fixer temporairement le panneau de porte.



- Tenez le panneau de porte à un angle depuis le haut de la porte vitrée et abaissez les trous de vis du support de suspension supérieur sur les vis d'ajustement sur le dessus de la porte vitrée.

- Vissez la rondelle et l'écrou M8 sur la vis d'ajustement et serrez lâchement.



Installation du panneau de porte

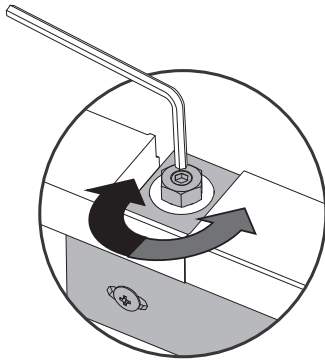
ÉTAPE 2 AJUSTEMENT DU PANNEAU DE PORTE VERS LE HAUT OU LE BAS

Assurez-vous que les supports latéraux sont vissés lâchement à la hauteur du panneau de porte lorsque les supports latéraux sont bien serrés. Cela peut générer des frottements qui provoquent la flexion des supports de suspension.

Tournez la vis d'ajustement pour relever ou abaisser la hauteur du panneau de porte par rapport à la porte vitrée.

Continuez l'ajustement jusqu'à ce que l'écart avec les armoires soit supérieur à 1/8 po (3 mm).

- Ne réglez pas la vis d'ajustement à plus de 1/4 po (6,5 mm) de sa position complètement abaissée.



ÉTAPE 3 AJUSTEMENT DU PANNEAU DE PORTE VERS L'AVANT OU L'ARRIÈRE

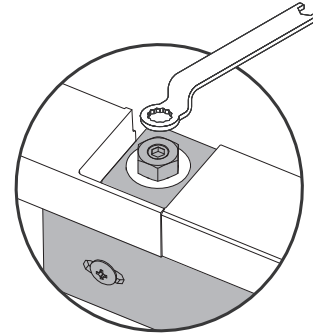
Desserrez les vis latérales des supports latéraux et faites glisser le panneau de porte vers l'avant ou l'arrière par rapport à la porte vitrée.



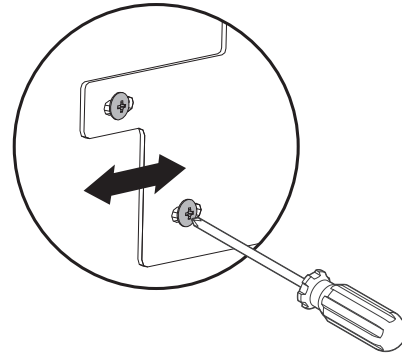
Resserrez les vis latérales une fois la manœuvre satisfaite.

ÉTAPE 4 AJUSTEMENT DU PANNEAU DE PORTE VERS LA GAUCHE OU LA DROITE

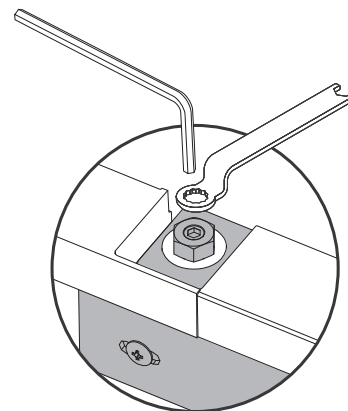
- Desserrez les écrous M8 sur le dessus. Faites glisser le panneau de porte vers la gauche ou la droite par rapport à la porte vitrée.



- Si un ajustement supplémentaire est encore nécessaire, retirez le panneau de porte, desserrez les vis de fixation du support de suspension supérieur et déplacez le support de suspension supérieur latéralement pour l'adapter.



- Une fois satisfait de la position du panneau de porte, serrez complètement les écrous M8 sur le dessus.



Installation du panneau de porte

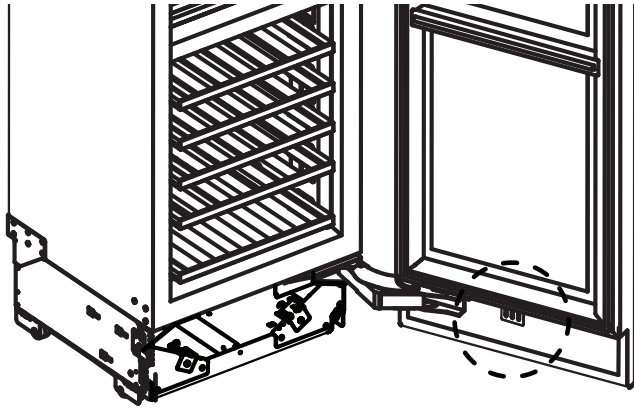
ÉTAPE 5 INSTALLATION DU SUPPORT DE PANNEAU INFÉRIEUR

Trousse de fixation de l'appareil

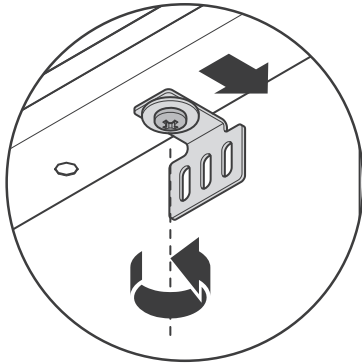
- Vis à tête fraisée 8G x 16 (1)

Outils requis

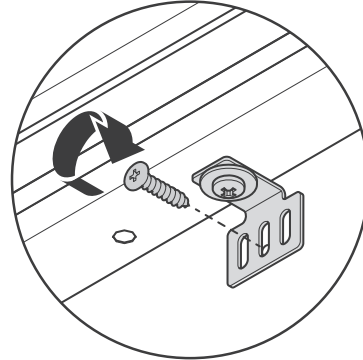
- Tournevis à pointe cruciforme



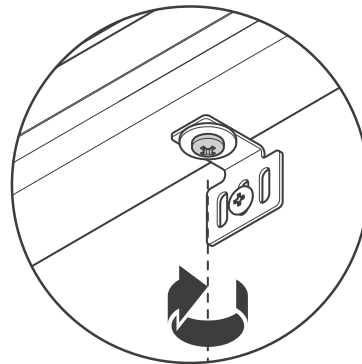
- Desserrez la vis qui maintient le support au bas de la porte vitrée. Faites glisser le support vers l'extérieur jusqu'à ce qu'il touche le panneau de porte.



- Fixez le support au panneau de porte avec une vis à tête fraisée 8G x 16 (1).



- Resserrez la vis au bas de la porte vitrée.

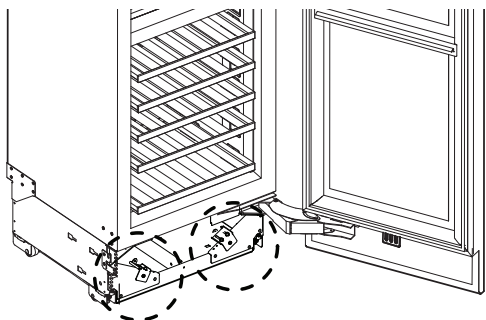


Installation du coup-de-pied

ÉTAPE 1 AJUSTEMENT DES SUPPORTS DE LA PLAQUE DE MONTAGE DU COUP-DE-PIED

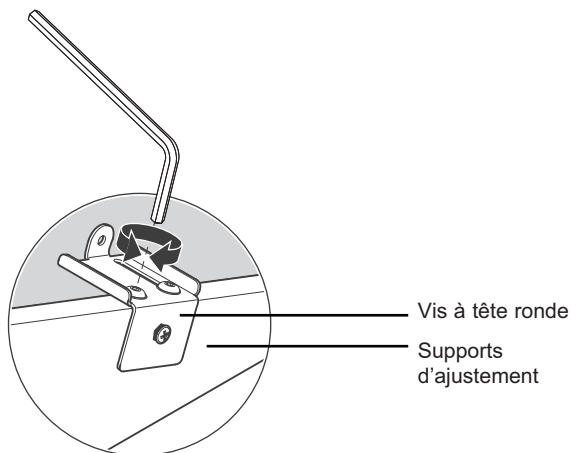
Outils requis

- Clé hexagonale

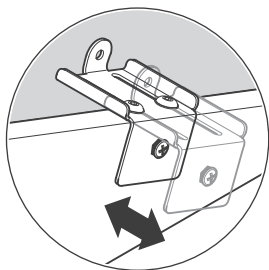


Ces deux supports déterminent la position de profondeur de la plaque de montage du coup-de-pied ainsi que la profondeur du coup-de-pied.

- Desserrez les vis à tête ronde des supports des deux côtés de la plinthe avec une clé hexagonale.
- Ajustez les supports à la profondeur souhaitée en les déplaçant vers l'avant ou l'arrière.



Resserrer les vis à tête ronde une fois que vous êtes satisfait.



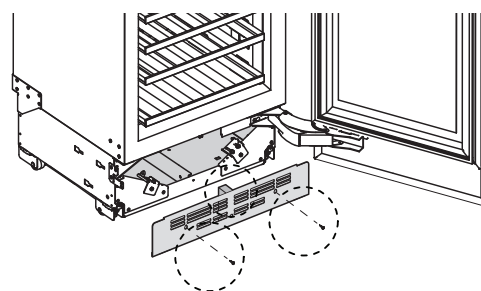
ÉTAPE 2 FIXATION DE LA PLAQUE DE MONTAGE DU COUP-DE-PIED

Pièces diverses

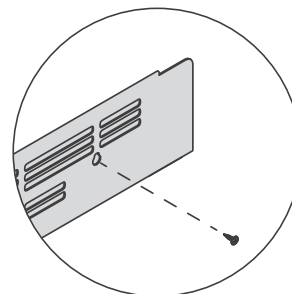
- Joint d'étanchéité de coup-de-pied (1)

Outils requis

- Tournevis à pointe cruciforme



- Réinstallez la plaque de montage du coup-de-pied à la plinthe à l'aide des mêmes vis que celles mises de côté précédemment.

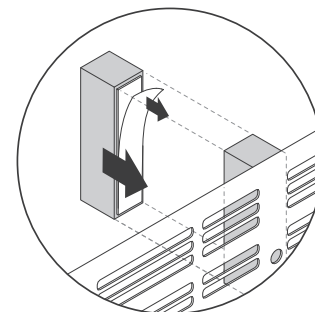


- Si la profondeur du coup-de-pied est inférieure à 3 5/8 po (92 mm), fixez un joint d'étanchéité de coup-de-pied à la plaque de montage.

Reportez-vous à « Options de coup-de-pied personnalisé » dans la section DIMENSIONS. La profondeur du coup-de-pied est mesurée de l'arrière du panneau de porte à l'arrière du coup-de-pied.

Pelez le ruban adhésif du joint d'étanchéité du coup-de-pied et fixez-le au milieu de la face arrière de la plaque de montage.

Appuyez fermement pour vous assurer que le ruban adhère à la plaque de montage.



Installation du coup-de-pied

COUP-DE-PIED EN ACIER INOXYDABLE

Trousse d'installation de coup-de-pied

- Aimants (4)
- Vis à rondelle Mush 8G x 16 (4)

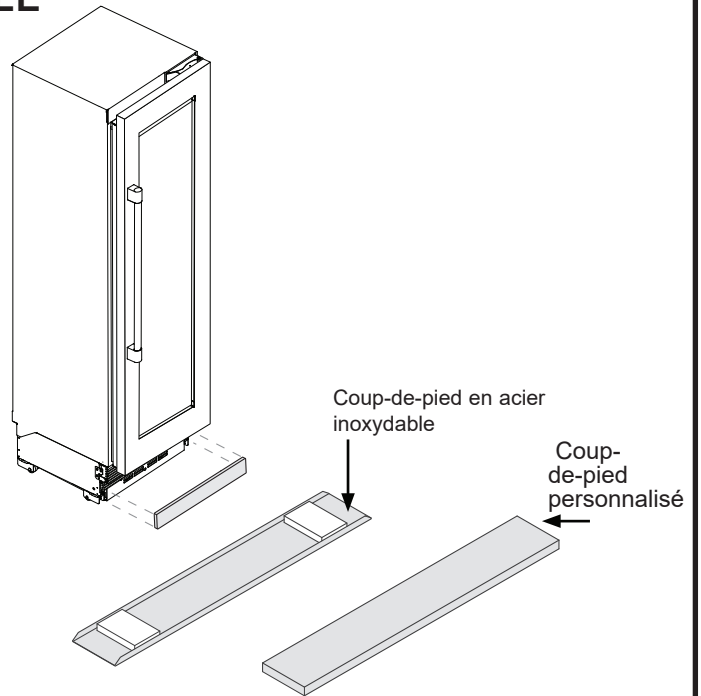
Outils requis

- Visseuse électrique
- Crayon

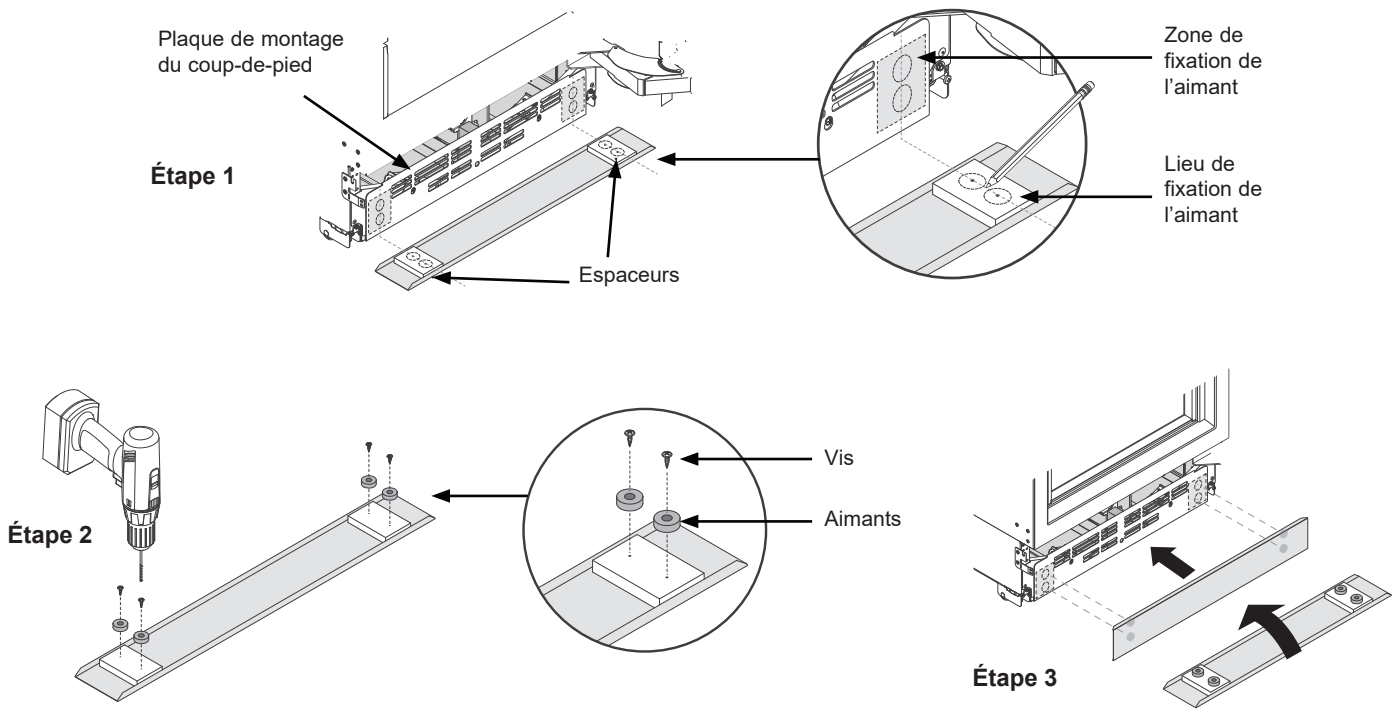
Le coup-de-pied en acier inoxydable fait partie de la trousse de panneau de porte et de coup-de-pied en acier inoxydable. La trousse n'est pas fournie et peut être achetée séparément. Reportez-vous à la section ACCESSOIRES / TROUSSES.

COUP-DE-PIED PERSONNALISÉ

Le coup-de-pied personnalisé doit être fourni par le client ou le fabricant d'armoires du client. Il n'est pas inclus avec le produit.

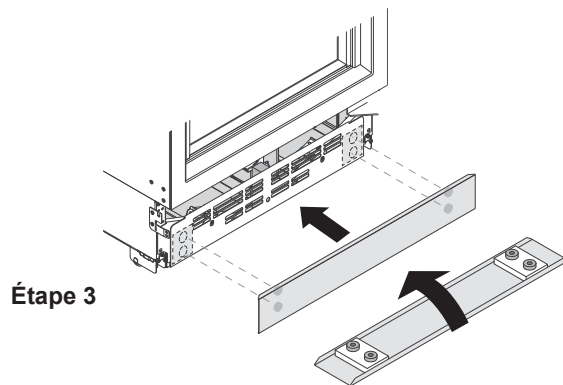
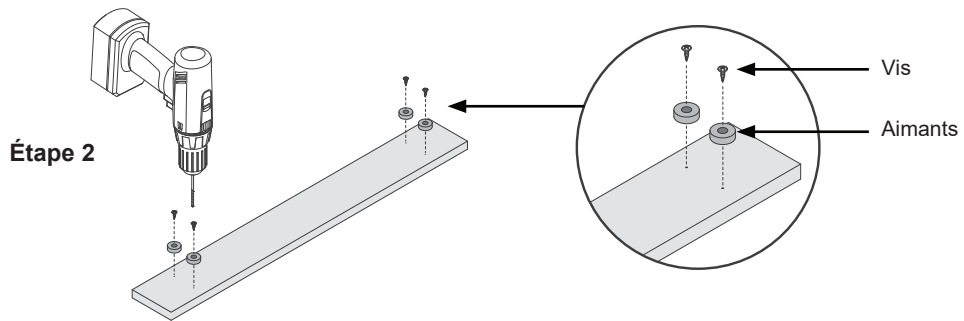
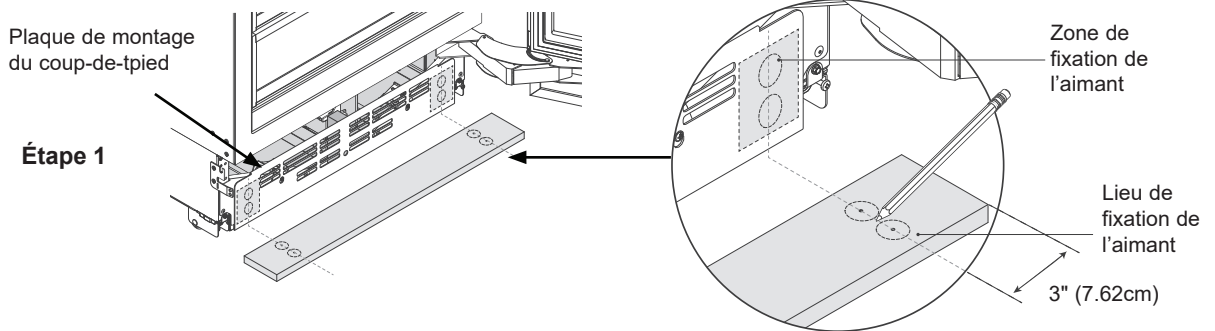


COUP-DE-PIED EN ACIER INOXYDABLE



Installation du coup-de-pied

COUP-DE-PIED PERSONNALISÉ

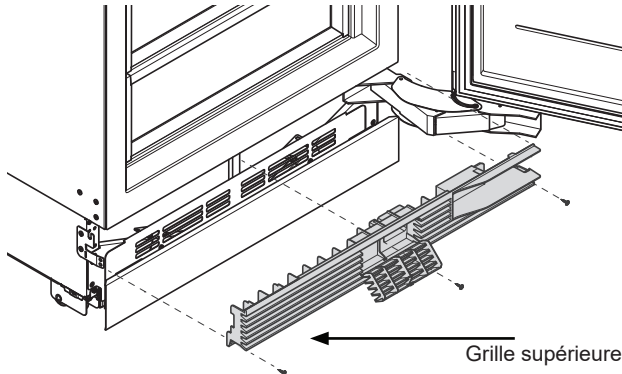


Installation des grilles

ÉTAPE 1 FIXATION DE LA GRILLE SUPÉRIEURE

Outils requis

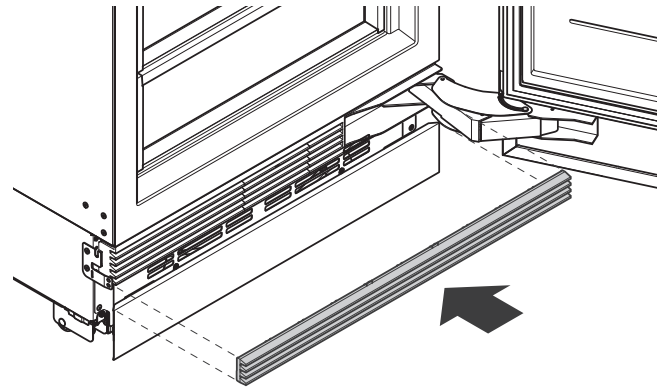
- Tournevis à pointe cruciforme
- Fixez les deux extrémités de la grille supérieure derrière la trappe centrale avec les trois vis no 8 x 16 retirées précédemment.



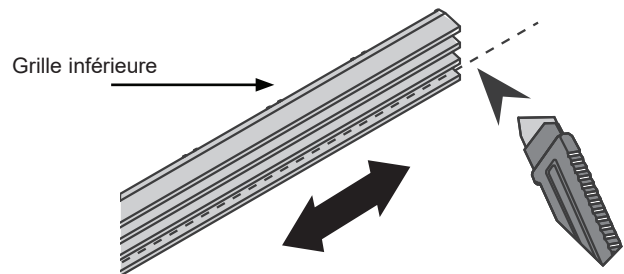
ÉTAPE 2 FIXATION DE LA GRILLE INFÉRIEURE

Outils requis

- Couteau universel
- Réinstallez la grille inférieure à l'aide des aimants.



- Pour des hauteurs de coup-de-pied de 4 1/2 à 5 po (11,4 à 12,7 cm), raccourcissez la hauteur inférieure de la grille en coupant les nervures verticales.



Installation du diviseur de flux d'air

INSTALLATION DU DIVISEUR DE FLUX D'AIR

Pièces diverses

- Diviseur de débit d'air (1x)
- Couvercle de diviseur de flux d'air (1)

Outils requis

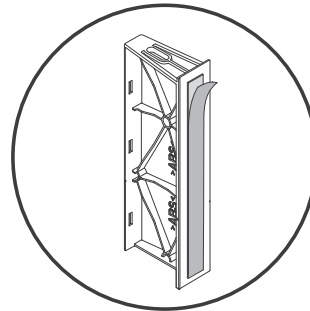
- Tournevis à pointe cruciforme
- Scie à métaux

Le diviseur empêche le flux d'air de dévier sur le devant des grilles.

Si la hauteur de coup-de-pied est supérieure à la hauteur standard de 4 po, la hauteur du diviseur de flux d'air peut devoir être réduite afin qu'il ne dépasse pas sous le bas du panneau de porte.

Utilisez une scie à métaux pour couper le diviseur de flux d'air et le couvercle à la hauteur appropriée. Coupez la partie inférieure du diviseur. Ne coupez pas la partie supérieure du diviseur.

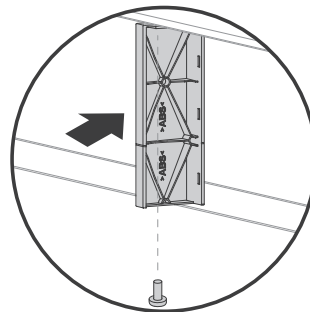
- Retirez la doublure de protection adhésive du diviseur.



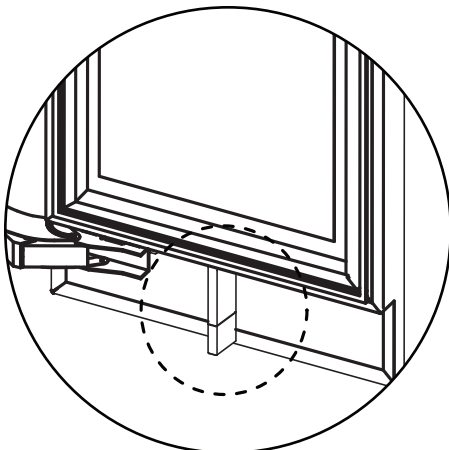
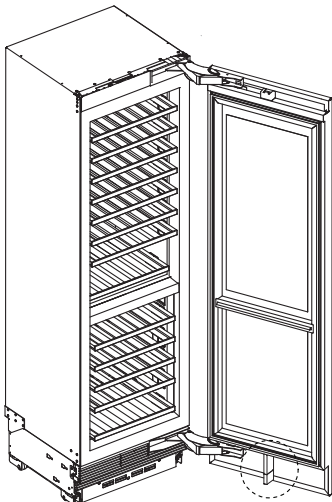
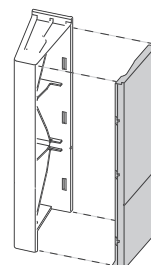
- Appuyez fermement sur le diviseur contre le panneau de porte.

Assurez-vous que la couche adhésive du diviseur touche le panneau de porte.

Fixez le diviseur de flux d'air au bas de la porte vitrée à l'aide d'une vis trouvée dans un petit sac en plastique de la trousse d'installation.



- Fixez le couvercle sur le diviseur.

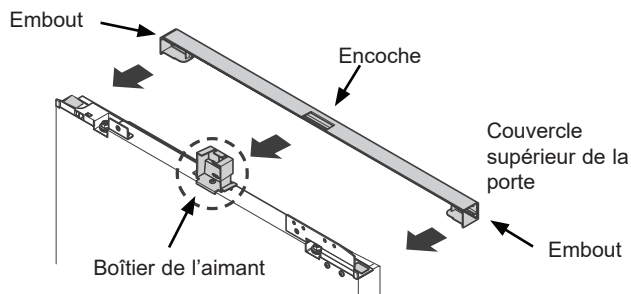


Installation des couvercles supérieur et latéraux de porte

ÉTAPE 1 RÉINSTALLATION DU COUVERCLE SUPÉRIEUR DE LA PORTE

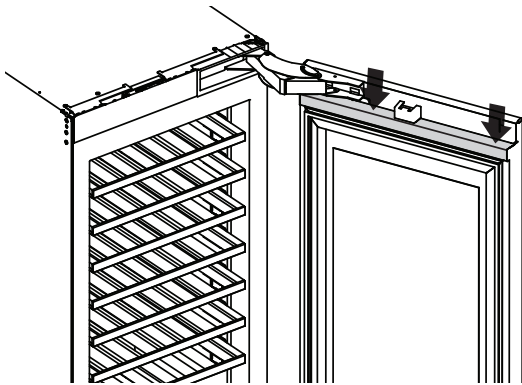
Assurez-vous que l'aimant est en place avant d'installer le couvercle supérieur de la porte.

- Alignez le couvercle supérieur de la porte avec le haut de la porte.



Clipsez l'encoche centrale sur le couvercle dans le logement de l'aimant et glissez le couvercle en place.

- Appuyez sur les deux extrémités du couvercle supérieur pour engager les capuchons d'extrémité sur les bandes de verrouillage double.



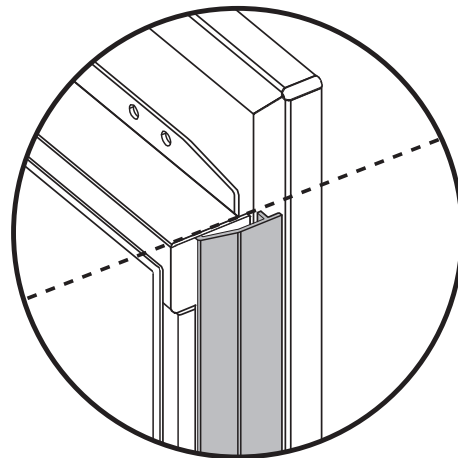
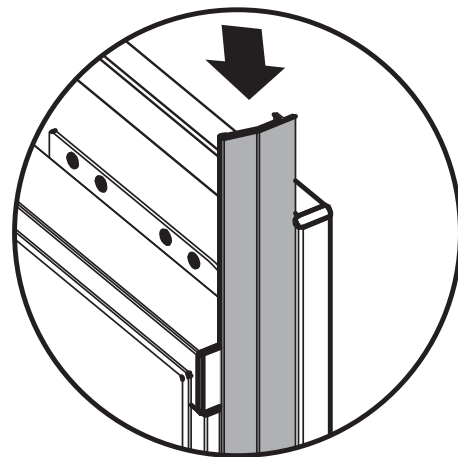
Assurez-vous que l'aimant reste en place et qu'il n'est pas endommagé car cela affecterait le fonctionnement de l'appareil.

ÉTAPE 2 INSTALLATION DES COUVERCLES LATÉRAUX DE PANNEAU DE PORTE

Trousse d'installation des garnitures

- Couvercle latéral de panneau de porte (2)

- Alignez le couvercle latéral avec le côté arrière du panneau de porte. Faites glisser le couvercle vers le bas pour le clipser dans les supports latéraux du panneau de porte.



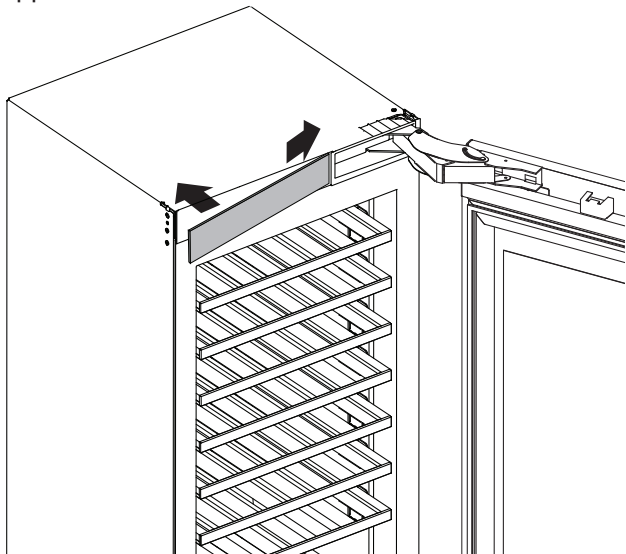
- Assurez-vous que le haut du couvercle latéral est aligné avec le couvercle supérieur de la porte.

Installation de la garniture supérieure et du couvercle de la poche de charnière

INSTALLATION DE LA GARNITURE SUPÉRIEURE

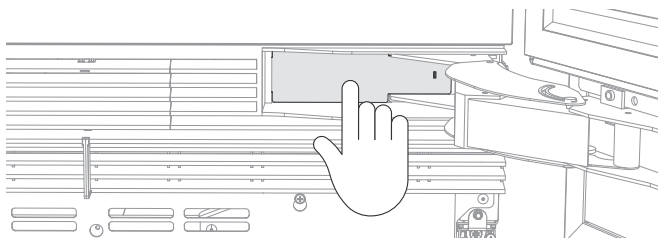
- Glissez une extrémité de la garniture supérieure dans la poche de charnière de l'appareil.

Appuyez sur l'autre extrémité pour engager la bande de verrouillage double sur le côté sans charnière de l'appareil.



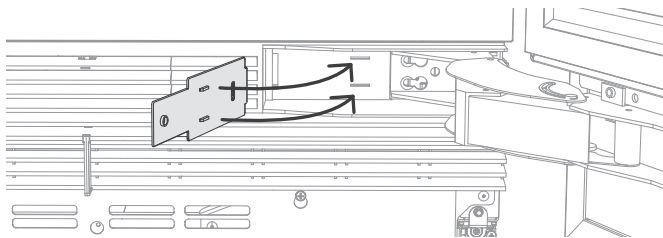
INSTALLATION DU COUVERCLE DE POCHÉ DE CHARNIÈRE INFÉRIEURE (SUITE)

- Appuyez sur le couvercle de la poche pour vous assurer que le couvercle se clipse dans la poche.

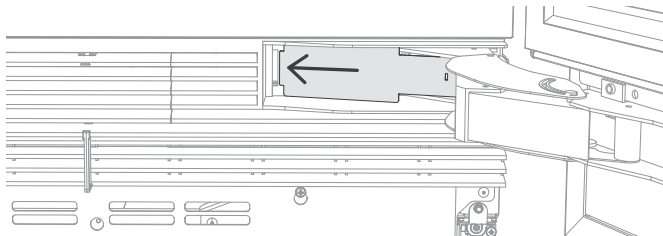


INSTALLATION DU COUVERCLE DE POCHÉ DE CHARNIÈRE INFÉRIEURE

- Placez le couvercle de la poche de charnière dans la poche de charnière, en faisant correspondre les crêtes du couvercle aux fentes dans la poche de charnière.



- Glissez le couvercle à l'intérieur de la poche.

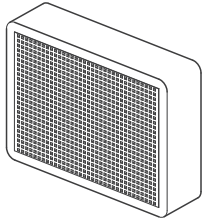


Installation du filtre anti-odeurs

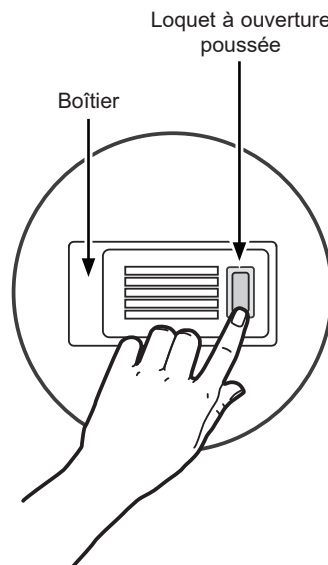
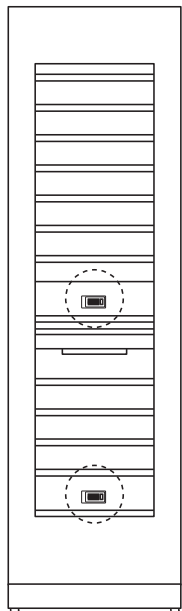
INSTALLATION DE FILTRE ANTI-ODEURS

Pièces diverses

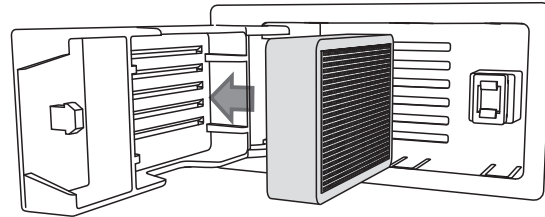
- Filtres anti-odeurs (2)
- Retirez l'emballage du filtre.



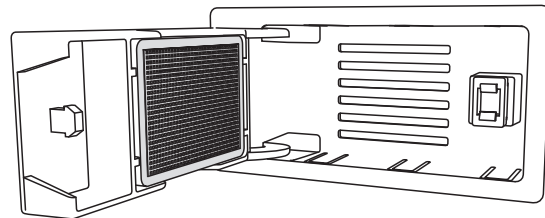
- Ouvrez le couvercle du boîtier de filtre en poussant le loquet.



- Insérez le filtre anti-odeurs dans le loquet.



- Poussez doucement le filtre dans le loquet jusqu'à ce qu'il affleure, puis fermez le couvercle jusqu'à ce qu'il se verrouille sur le loquet.



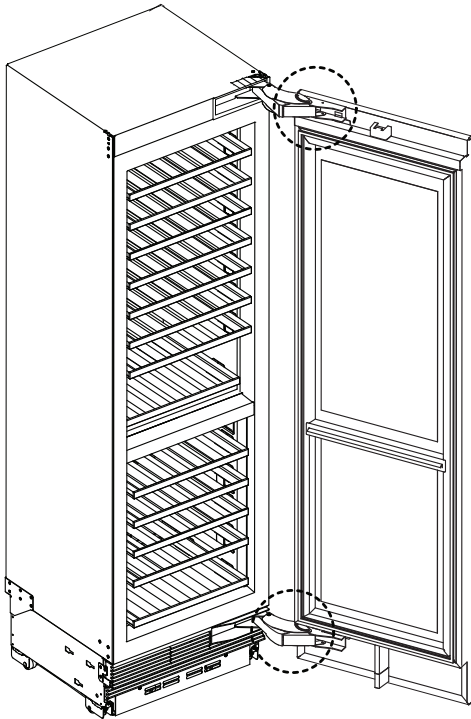
**INVERSION DU SENS D'OUVERTURE DE LA PORTE
(FACULTATIF)**

Inversion du sens d'ouverture de la porte (facultatif)

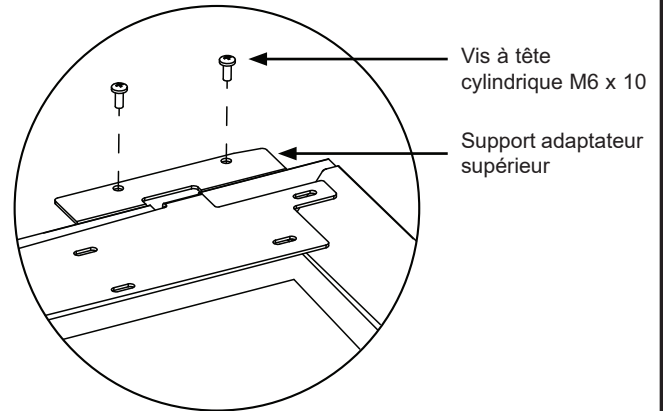
ÉTAPE 1 RETRAIT DE LA PORTE VITRÉE

Vous avez la possibilité de changer le côté charnière de la porte de votre appareil, de la charnière droite à la charnière gauche ou vice versa. Veillez à ne pas endommager la porte pendant cette manœuvre.

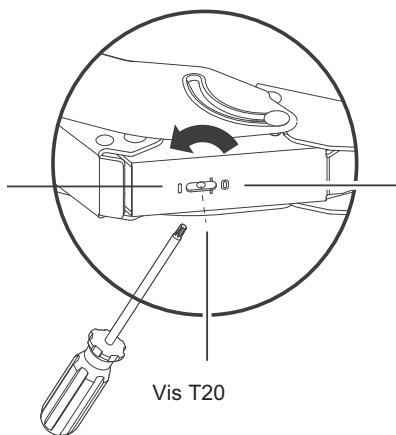
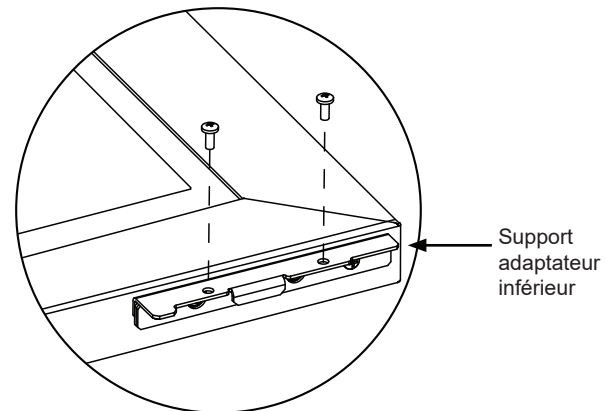
Fermez la porte et posez l'appareil sur son dos sur la palette.



- Libérez les ressorts de charnière supérieur et inférieur en tournant la vis T20 dans la charnière dans le sens inverse des aiguilles jusqu'à ce qu'elle se déplace en position « 0 ».



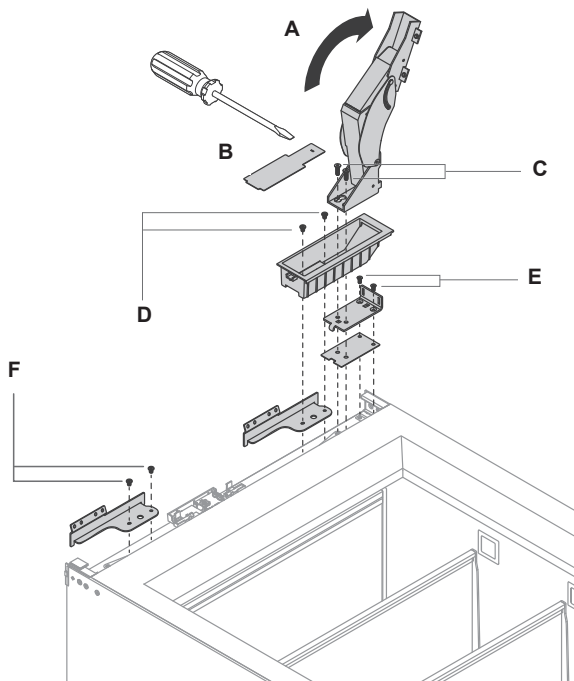
- Retirez la porte de l'appareil en dévissant les vis cruciformes M6 x 10 des charnières supérieure et inférieure (4) au niveau des supports adaptateurs supérieur et inférieur.



Inversion du sens d'ouverture de la porte (facultatif)

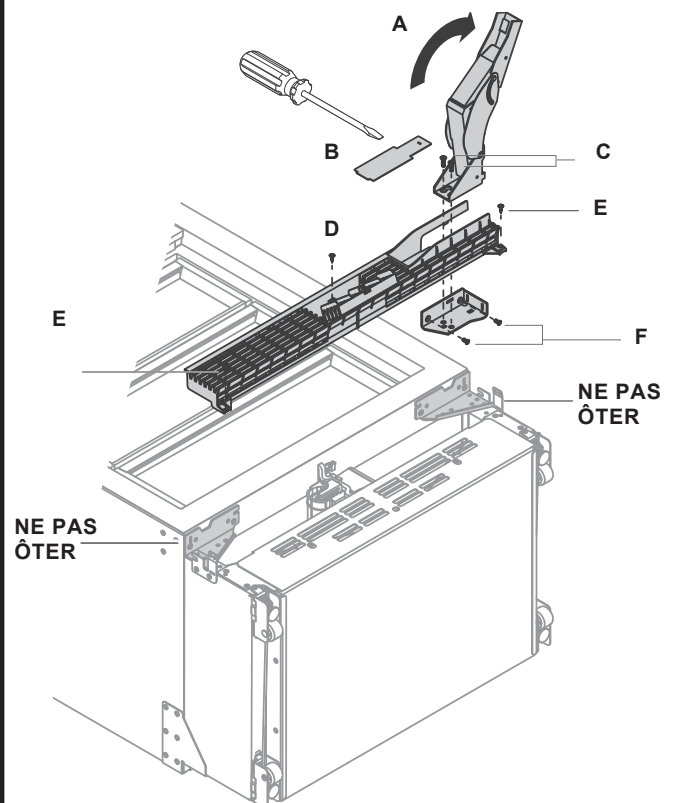
ÉTAPE 2 RETRAIT DE LA CHARNIÈRE SUPÉRIEURE

- Faites pivoter la charnière supérieure (A) vers l'extérieur et retirez le couvercle de la poche de charnière supérieure (B) à l'aide d'un tournevis à tête plate inséré dans la fente du couvercle.
- Dévissez les vis à tête fraisée M6 x 16 (C) pour retirer la charnière supérieure et mettez-les de côté pour une utilisation ultérieure.
- Dévissez les vis à tête fraisée M6 x 16 (D) de la poche de charnière pour retirer la poche et le support d'alcôve supérieur.
- Dévissez les vis à tête fraisée M5 x 12 (E) pour retirer le support de charnière supérieur et l'espaceur.
- Côté sans charnière, retirez le support d'alcôve supérieur en dévissant les vis à tête fraisée M6 x 16 (F).



ÉTAPE 3 RETRAIT DE LA CHARNIÈRE INFÉRIEURE

- Faites pivoter la charnière inférieure (A) vers l'extérieur et retirez le couvercle de la poche de charnière inférieure (B) à l'aide d'un tournevis à tête plate dans la fente.
- Retirez la charnière inférieure en dévissant les vis à tête fraisée M6 x 16 (2) (C).
- Ouvrez le loquet central sur la grille supérieure et dévissez la vis no 8 x 16 (D).
- Retirez la grille supérieure en dévissant les vis n° 8 x 16 (E) à gauche et à droite de la grille.
- Retirez le support de charnière inférieur en dévissant les vis à tête fraisée M6 x 16 (F).



IMPORTANT!

Ne retirez pas les supports qui retiennent la plinthe à l'armoire!

REMARQUE : L'appareil n'a pas besoin d'être couché. Les images sont pour mieux illustrer le processus d'inversion.

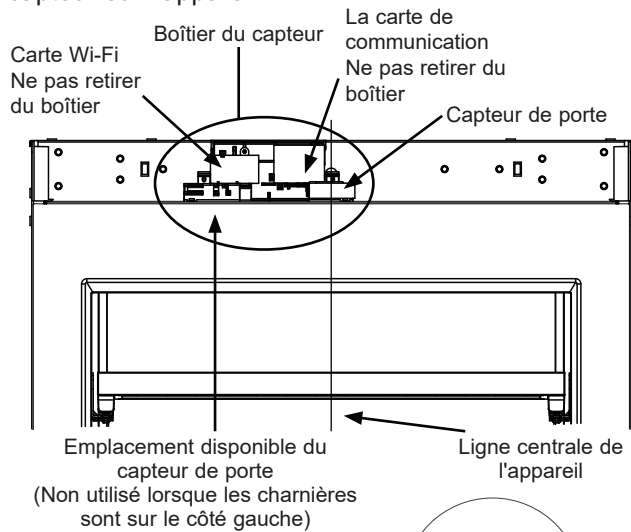
Inversion du sens d'ouverture de la porte (facultatif)

ÉTAPE 4 DÉPLACEMENT DU BOÎTIER DE CAPTEUR ET DU CAPTEUR DE PORTE

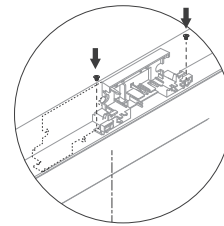
Lorsque les charnières de porte sont déplacées d'un côté à l'autre, le boîtier du capteur et le capteur de porte lui-même doivent être déplacés pour maintenir le capteur de porte aligné avec l'aimant sur le dessus de la porte.

Il y a deux emplacements disponibles pour le capteur de porte dans le boîtier du capteur. La règle consiste à placer le capteur de porte à l'emplacement le plus proche de la ligne centrale de l'appareil. Vérifiez toujours si les lumières s'éteignent lorsque la porte est fermée après avoir déplacé les charnières d'un côté à l'autre.

- Retirez les vis no 8 x 16 (2) qui fixent le boîtier du capteur sur l'appareil.

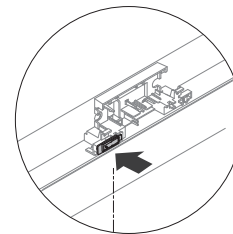


- Réinstallez le boîtier du capteur à l'aide des vis no 8 x 16 (2)



- Clipsez le capteur de porte dans le coin inférieur gauche du boîtier du capteur.

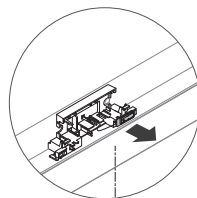
Cet emplacement du capteur de porte est maintenant plus proche de l'axe central de l'appareil.



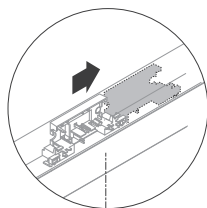
- Déclipsez le capteur de porte du boîtier du capteur.

Ne déclipsez pas la carte de communication ou la carte Wi-Fi. Conservez-les dans le boîtier du capteur.

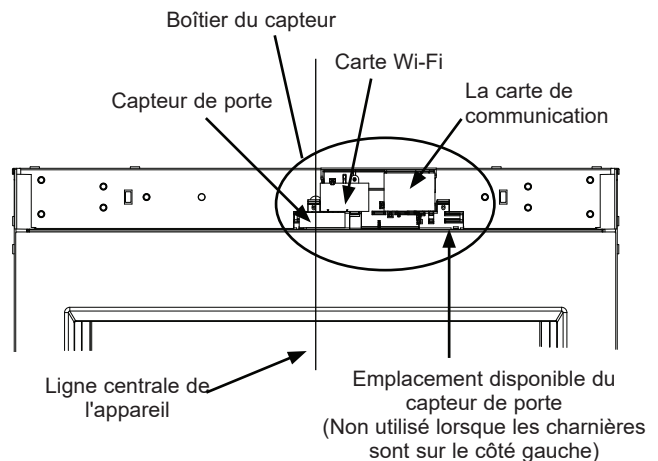
Détachez le faisceau de câblage des pinces du boîtier du capteur de façon que le câblage ne soit pas tiré lorsque le boîtier du capteur est déplacé à l'étape suivante.



- Déplacez le boîtier du capteur vers la droite. Il y a un autre jeu de trous prépercés dans le panneau supérieur de l'appareil à droite. Alignez le boîtier du capteur avec ce jeu de trous.

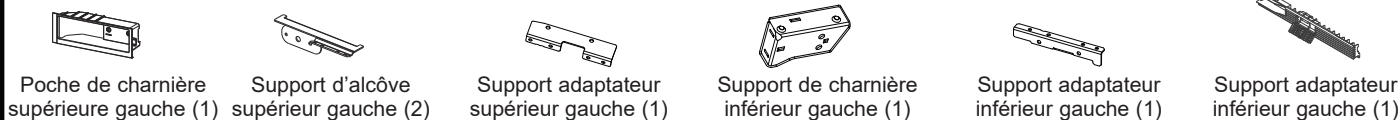


- Vérifiez deux fois l'emplacement du boîtier du capteur et du capteur de porte conformément à l'illustration ci-dessous.



Inversion du sens d'ouverture de la porte (facultatif)

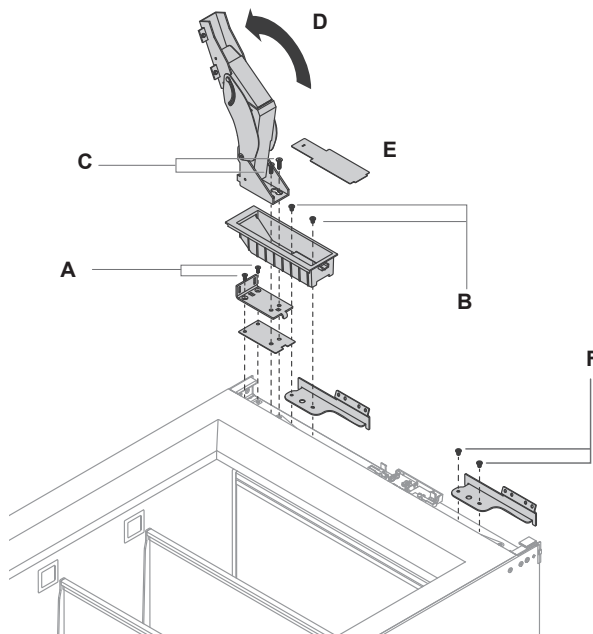
Trousse de changement de charnière de droite à gauche



ÉTAPE 5 RÉINSTALLATION DE LA CHARNIÈRE SUPÉRIEURE SUR LE CÔTÉ GAUCHE

Remarque : Retournez la charnière inférieure retirée du côté droit et utilisez-la comme charnière supérieure pour le côté gauche.

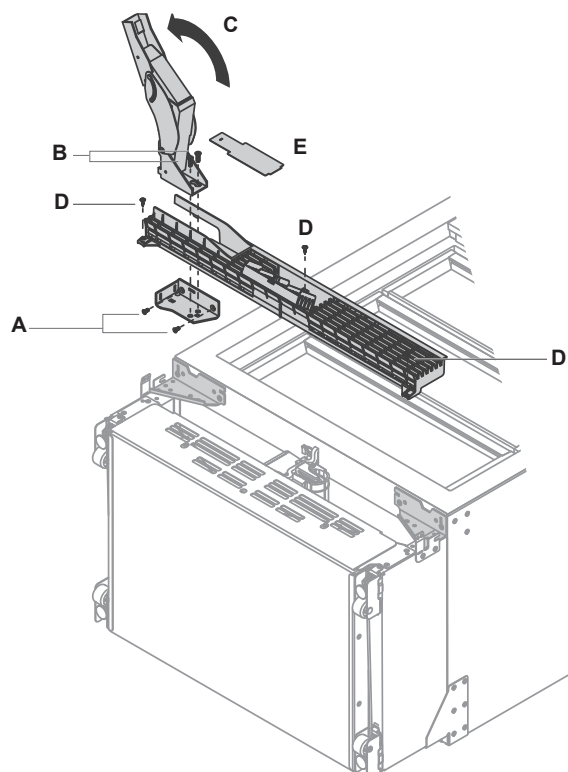
- Retournez le support de charnière supérieure. Réinstallez le support de charnière supérieur et l'espaceur à l'aide des vis à tête fraisée M5 x 12 (A) sur le côté gauche de l'appareil.
- Installez la poche de charnière supérieure gauche et le support d'alcôve supérieur gauche à l'aide de deux (2x) vis fraisées M6x16 (B).
- Retournez la charnière inférieure retirée du côté droit et utilisez-la comme charnière supérieure pour le côté gauche. Installez la charnière dans la poche de charnière supérieure en vissant les vis à tête fraisée M6 x 16 (2) (C).
- Ouvrez la charnière (D) et clipsez le couvercle de la poche de charnière supérieure (E) à la poche de charnière supérieure.
- Installez le deuxième support d'alcôve supérieur gauche avec des vis à tête fraisée M6 x 16 (2) (F).



ÉTAPE 6 RÉINSTALLATION DE LA CHARNIÈRE INFÉRIEURE SUR LE CÔTÉ GAUCHE

Remarque : Retournez la charnière supérieure retirée du côté droit et utilisez-la comme charnière inférieure pour le côté gauche.

- Installez le support de charnière inférieur gauche sur le côté gauche de l'appareil avec des vis M6 x 16 (2) (A). Assurez-vous que la languette située sur le dessus du support s'insère dans la fente du support avant de la plinthe.
- Retournez la charnière supérieure retirée du côté droit et utilisez-la comme charnière inférieure pour le côté gauche. Insérez les languettes de la charnière dans le support de charnière inférieur. Faites pivoter la charnière en place et fixez-la à l'aide de vis à tête fraisée M5 x 12 (2) (B).
- Ouvrez la charnière (C) et installez la grille supérieure gauche. Fixez la grille à l'aide des vis n° 8 x 16 (3) (D). Une vis à gauche et à droite de la grille et une vis derrière le loquet central.
- Clipsez le couvercle de la poche de charnière inférieure dans la poche de charnière inférieure (E).

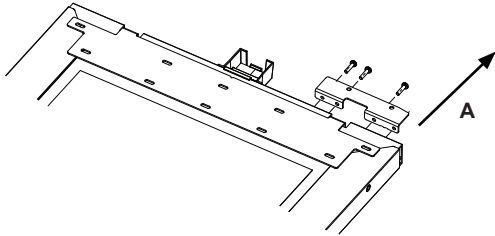


REMARQUE : L'appareil n'a pas besoin d'être couché. Les images sont pour mieux illustrer le processus d'inversion.

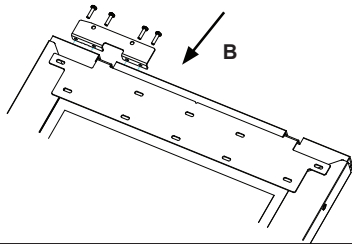
Inversion du sens d'ouverture de la porte (facultatif)

ÉTAPE 7 CHANGEMENT DU SUPPORT ADAPTATEUR SUPÉRIEUR SUR LE DESSUS DE LA PORTE

- Dévissez les vis M5 x 10 (4) pour retirer le support adaptateur supérieur du haut de la porte (A).

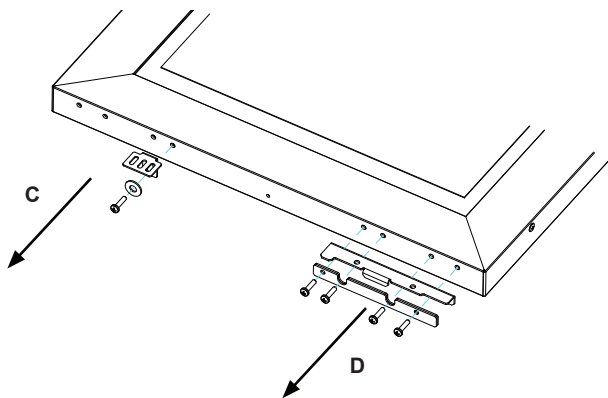


- Installez le nouveau support adaptateur supérieur gauche sur le côté gauche avec les vis M5 x 10 (4) (B).



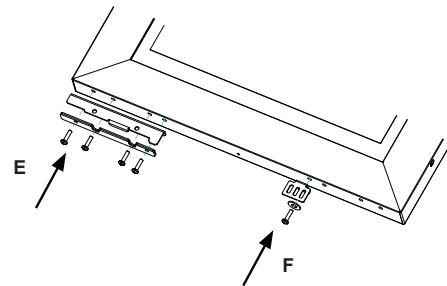
ÉTAPE 8 DÉPLACEMENT DU SUPPORT ADAPTATEUR INFÉRIEUR AU BAS DE LA PORTE

- Retirez le support de verrouillage du panneau de porte et la rondelle du bas de la porte en dévissant la vis M5 x 20 (1) (C).
- Retirez le support adaptateur inférieur et les espaceurs du bas de la porte en dévissant les vis M5x20 (4) (D).



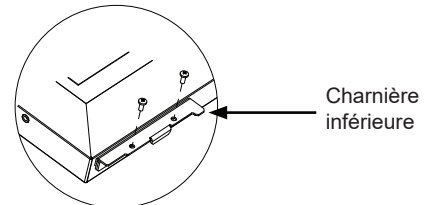
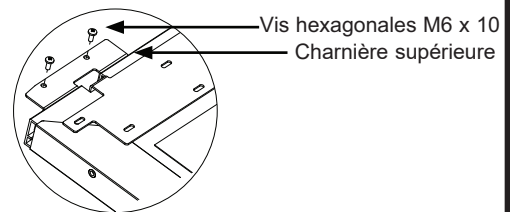
ÉTAPE 8 DÉPLACEMENT DU SUPPORT ADAPTATEUR INFÉRIEUR AU BAS DE LA PORTE (SUITE)

- Installez le nouveau support adaptateur inférieur gauche et les espaceurs existants de l'autre côté de la porte à l'aide de vis M5 x 20 (4) (E).
- Installez le support de verrouillage du panneau de porte et la rondelle existants de l'autre côté de la porte avec la vis M5 x 20 (1) (F).

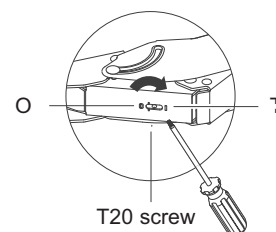


ÉTAPE 9 RÉINSTALLATION DE LA PORTE

- Fixez la porte à la charnière supérieure et à la charnière inférieure avec des vis hexagonales M6 x 10 (4).



- Activez les ressorts de charnière supérieure et inférieure en tournant la vis T20 dans la charnière dans le sens des aiguilles d'une montre jusqu'à ce qu'elle se déplace en position « I ».
- Remettez l'appareil en position verticale et réinstallez tous les couvercles et garnitures.



Remarques

Remarques

REMARQUE : Lors de l'exécution des installations décrites dans ce manuel, il est nécessaire de porter des lunettes de protection.

REMARQUE : Chez GE Appliances, l'amélioration des produits fait l'objet d'un effort soutenu. Par conséquent, les matières, l'aspect et les caractéristiques sont sujets à changement sans préavis.





INSTRUCTIONS D'INSTALLATION

Columna de Vinos

ESPAÑOL

MONOGRAM.COM

Información sobre Seguridad

ANTES DE COMENZAR

Lea estas instrucciones en su totalidad y atentamente.

- **IMPORTANTE** – Conserve estas instrucciones para uso del inspector local. Cumpla con todos los códigos y ordenanzas gubernamentales.
- **Nota para el Instalador** – Asegúrese de que el Comprador conserve estas instrucciones.
- **Nota para el Consumidor** – Guarde estas instrucciones con su Manual del Propietario para referencia futura.

Si la unidad que recibió está dañada, se deberá comunicar de inmediato con su vendedor o fabricante.

Nivel de habilidad – La instalación de esta unidad requiere un nivel básico de habilidades mecánicas, de carpintería y plomería. La correcta instalación del producto es responsabilidad del instalador. Si se producen fallas en el producto debido a una instalación inadecuada, la Garantía de Monogram no cubrirá las mismas. Para obtener información sobre la garantía, consulte el Manual del Propietario.

⚠ ADVERTENCIA **Riesgo de Descarga Eléctrica**

Enchufe en un tomacorriente con conexión a tierra de 3 cables.

No elimine el cable de conexión a tierra.

No use un adaptador.

Inmediatamente interrumpa el uso de un cable de suministro de corriente dañado. Si el cable de corriente se encuentra dañado, su reemplazo deberá ser realizado por un profesional calificado del servicio técnico, utilizando una pieza del servicio técnico autorizada por el fabricante.

No use un prolongador con este electrodoméstico. Si no se siguen estas instrucciones, se podrá producir la muerte, incendios o descargas eléctricas.

Siga las instrucciones que figuran en la sección de Conexión de tierra de la unidad.

Este electrodoméstico deberá ser instalado por algún medio en el cableado fijo del hogar o en un disyuntor para desconectar el electrodoméstico del suministro eléctrico luego de la instalación.

⚠ ADVERTENCIA **Riesgo de Caídas**

Estos electrodomésticos son inestables, especialmente cuando la puerta se encuentre abierta, y deben estar asegurados con el fin de evitar caídas hacia adelante que podrían ocasionar la muerte o lesiones graves. Lea y siga las instrucciones de instalación en su totalidad para asegurar el electrodoméstico con el sistema anti volcaduras.

⚠ ADVERTENCIA **Riesgo de Incendio o Explosión.**

Mantenga cualquier material y vapores inflamables alejados del electrodoméstico. Si no se cumple con esto, se podrá producir una explosión, incendio o la muerte.

⚠ ADVERTENCIA

A fin de reducir el riesgo asociado con descargas, no permita que los niños menores de 3 años de edad tengan acceso a las partes pequeñas durante la instalación de este producto.

⚠ PRECAUCIÓN **Riesgo al levantar la puerta**

Esta unidad es muy pesada. A fin de reducir el riesgo de lesión de una persona al maniobrar e instalar este electrodoméstico, se requiere contar con 3 personas para una correcta instalación.

⚠ PRECAUCIÓN

Use guantes y protectores para brazos. Si esto no se cumple, se podrán sufrir laceraciones. Mantenga los dedos fuera de los espacios de "riesgo de lastimaduras"; los espacios entre las puertas y entre las puertas y el gabinete son necesariamente pequeños. Tenga la precaución de cerrar las puertas cuando los niños se encuentren en el área.

FORMA ADECUADA DE DESCARTAR SU ELECTRODOMÉSTICO

Descarte o recicle su electrodoméstico de acuerdo con las Regulaciones Federales y Locales. Comuníquese con las autoridades locales para descartar o reciclar su electrodoméstico de forma ambientalmente segura.

- Tenga en cuenta las opciones de reciclaje del material de embalaje de su electrodoméstico.

CONTENIDOS

Seguridad	2	Instalación de las Parrillas	
Guía de Diseño		Paso 1 Adhesión de la Parrilla Superior	37
Partes y Herramientas Suministradas	3	Paso 2 Adhesión de la Parrilla Inferior	37
Accesorios/ Kits	7	Instalación del Divisor de Circulación de Aire	38
Partes y Herramientas Requeridas	8	Instalación de las Tapas Superior y Laterales de la Puerta	
Dimensiones	9	Paso 1 Reinstalación de la Tapa de la Puerta Superior	39
Preparación de la Instalación		Paso 2 Instalación de las Tapas Laterales del Panel de la Puerta	39
Antes de la Instalación		Instalación de la tapa del Marco Superior y del Brazo de la Bisagra	40
Instalación de los Materiales Antivolcaduras	21	Instalación del Filtro de Olores	41
Preparación del Electrodoméstico	22	Inversión del Giro de la Puerta (Opcional)	42
Preparación del Panel de la Puerta – Panel de Acero Inoxidable	24	Paso 1 Retiro de la Puerta de Vidrio	43
Preparación del Panel de la Puerta – Panel a Medida	25	Paso 2 Retiro de la Bisagra Superior	44
Alineación del Electrodoméstico con los Gabinetes	28	Paso 3 Retiro de la Bisagra Inferior	44
Asegurar el Electrodoméstico en los Gabinetes	30	Paso 4 Cambio de la Ubicación de la Carcasa del Sensor y del Sensor de la Puerta	45
Instalación del Panel de la Puerta		Paso 5 Readhesión de la Bisagra Superior sobre el Lado Derecho	46
Paso 1 Cuelgue el panel de la puerta	31	Paso 6 Readhesión de la Bisagra Inferior sobre el Lado Izquierdo	46
Paso 2 Ajuste del Panel de la Puerta Hacia Arriba / Abajo	32	Paso 7 Cambio del Soporte del Adaptador Superior de la Puerta	47
Paso 3 Ajuste del Panel de la Puerta Hacia Adelante / Atrás	32	Paso 8 Cambio del Soporte del Adaptador Inferior de la Puerta	47
Paso 4 Ajuste del Panel de la Puerta Hacia la Izquierda / Derecha	32	Paso 9 Reinstalación de la Puerta	47
Paso 5 Instalación del Soporte del Panel Inferior	33		
Instalación del Zócalo			
Paso 1 Ajuste de los Soportes de la Placa de Montaje del Zócalo	34		
Paso 2 Adhesión de la Placa de Montaje del Zócalo al Zócalo de Acero Inoxidable	35		
Zócalo a Medida	36		

Para acceder al servicio local de Monogram en su área, visite monogram.com o 800.444.1845.

Para acceder al servicio de Monogram en Canadá, visite monogram.ca o 800.561.3344.

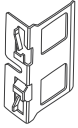
Para acceder a Piezas y Accesorios de Monogram, visite monogram.com o 800.444.1845..

Para Piezas y Accesorios de Monogram en Canadá, visite monogram.ca o 800.661.1616.

Partes y Herramientas Suministradas

KIT DE INSTALACIÓN (CAJA INTERIOR)

Kit de Adhesión del Panel de la Puerta



Soporte lateral (12)



Deslizador del soporte (12)

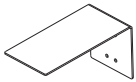


Espaciador del soporte (12)



Tornillo de estrella M5x12 para panel de puertas a medida (44)

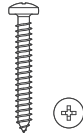
Kit de Ensamble del Soporte Antivolcaduras



Soporte antivolcaduras (1)

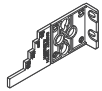


Taquete (5)

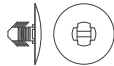


Tornillos de estrella de 10-12x35mm (5)

Kit de Sujetadores para asegurar la unidad



Medidor de alineación de profundidad (4)

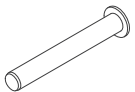


Tapón de espiga (2)



Tornillo de Encastre 8Gx16 (7)

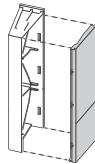
Piezas Diversas



Perno de Limitación de bisagra (3)



Sellador de aire del zócalo (1)



Divisor de circulación de aire con tapa (1)



Filtros de olores (2)



Tornillo de estrella M8X16 (1)

Kit de Instalación del Zócalo

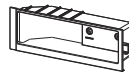


Imanes (x4)

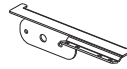


Tornillos con cabeza de hongo 8Gx16 (x4)

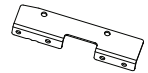
Kit de Cambio de Bisagra del Lado Derecho al Lado Izquierdo



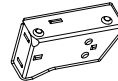
Brazo superior de bisagra del lado izquierdo (1)



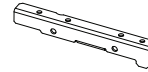
Soporte del hueco superior del lado izquierdo (2)



Soporte adaptador superior del lado izquierdo (1)

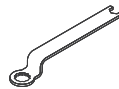


Soporte de la bisagra inferior del lado izquierdo (1)



Soporte adaptador inferior del lado izquierdo (1)

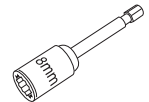
Herramientas



Llave de tuercas



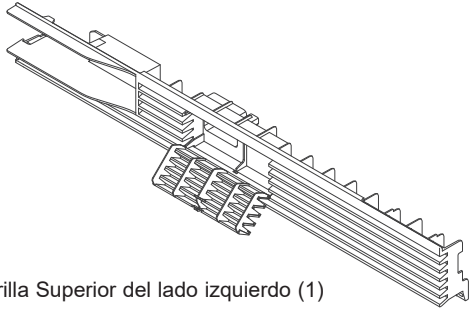
Llave hexagonal



Destornillador de vaso hexagonal

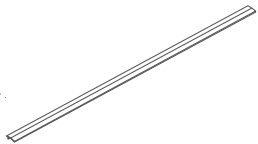
Partes y Herramientas Suministradas

Parrilla Superior para Cambiar las Bisagras del Lado Derecho al Lado Izquierdo (Caja Externa Debajo de la Puerta de Vidrio)



Parrilla Superior del lado izquierdo (1)

Kit de Instalación de Marcos (Caja Externa Encintada sobre el Electrodoméstico)



Tapa lateral del panel de la puerta (2)



Marco largo (x 2)



Marco corto (x 2)



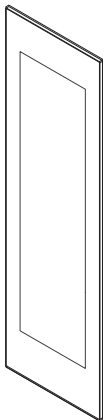
Plantilla del panel de puertas a medida (x 1)

Accesorios/ Kits

No suministrados y se podrá adquirir de forma separada.

Kit del Panel de la Puerta y Zócalo de Acero Inoxidable

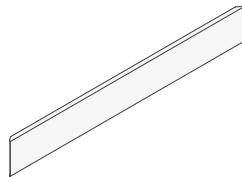
- Lado derecho ZK1GN244WRH
- Lado izquierdo ZK1GN249WLH



Panel de puertas de acero inoxidable (1)



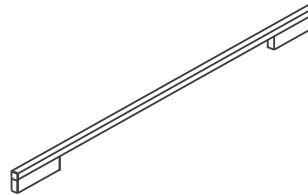
Tornillo con cabeza de hongo 8Gx16 (32)



Zócalo de acero inoxidable (1)

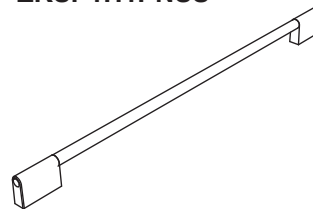
Kit de Manijas Minimalist

- ZKSP1H1CNSS



Kit de Manijas Statement

- ZKSP1H1PNSS



Manijas del Kit de Travesaños del Panel de Medida Monogram

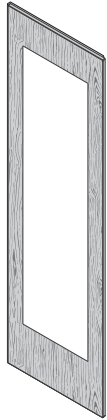
- ZKPN

Partes y Herramientas Requeridas

No suministradas, deberán ser provistas por el cliente y coincidir con los gabinetes.

Panel de la Puerta a Medida

El panel de la puerta a medida deberá hacer que el panel de vidrio quede visible. El panel a medida NO PODRÁ CUBRIR EL PANEL DE VIDRIO.

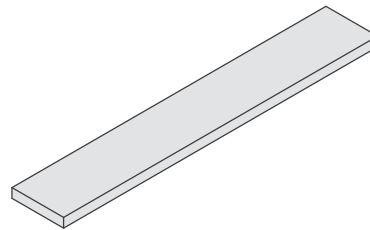


Zócalo a Medida

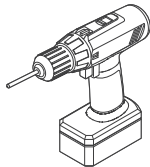
Para realizar la instalación del panel de la puerta a medida, se deberá calzar y ajustar un zócalo de 2 a 6" (50 a 152mm) de manera correspondiente.

Se requiere una parrilla baja adicional al usar una altura de zócalo de 2" (50mm).

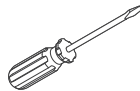
NOTA: La parrilla extra baja no se suministra con el producto y se podrá adquirir por separado. Use la parte n° WR13X46927 para ordenar una parrilla baja adicional.



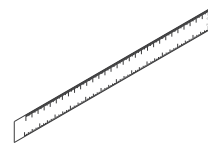
Herramientas requeridas para la instalación – No suministradas con el producto.



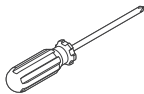
Destornillador eléctrico



Destornillador de estrella



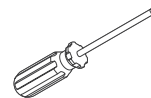
Regla



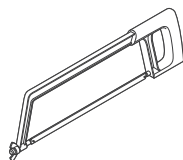
Destornillador de punta plana



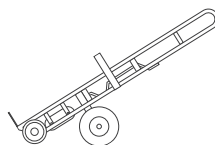
Cuchillo multiuso (1)



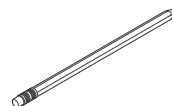
Destornillador con cabeza de estrella T20 (para liberar / activar el resorte de la bisagra)



Sierra de mano (para cortar el conductor de circulación de aire)



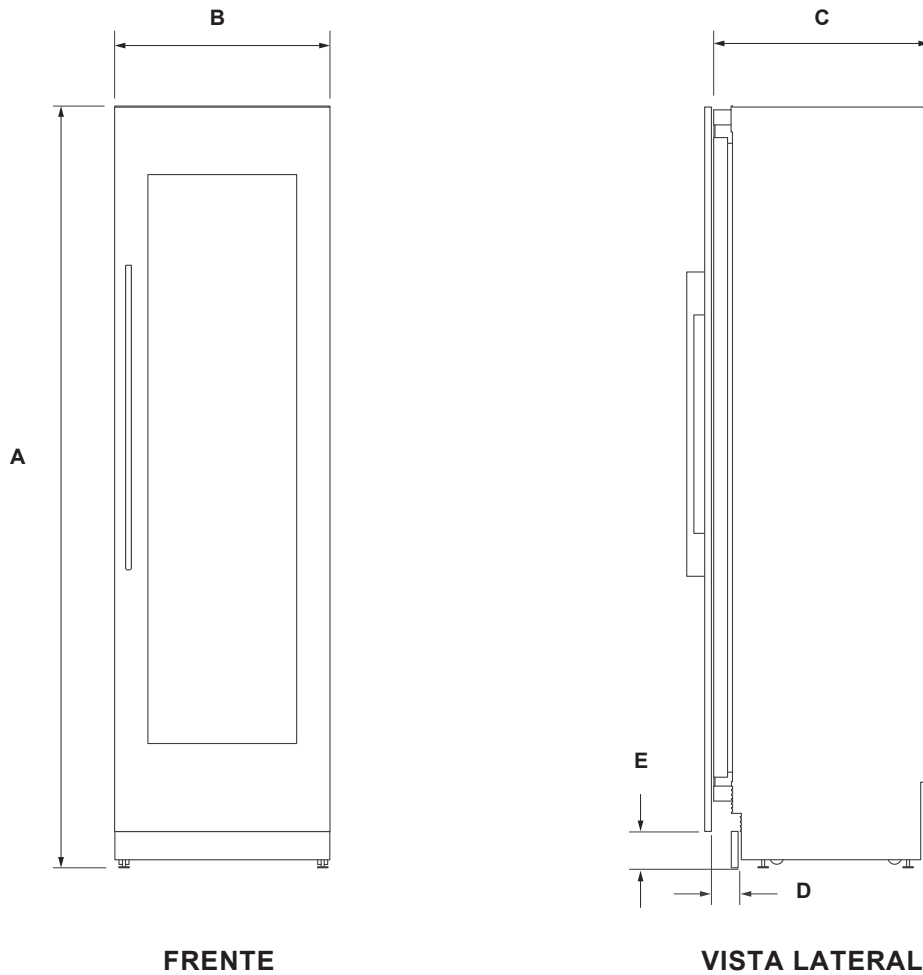
Carro manual



Lápiz

Dimensiones

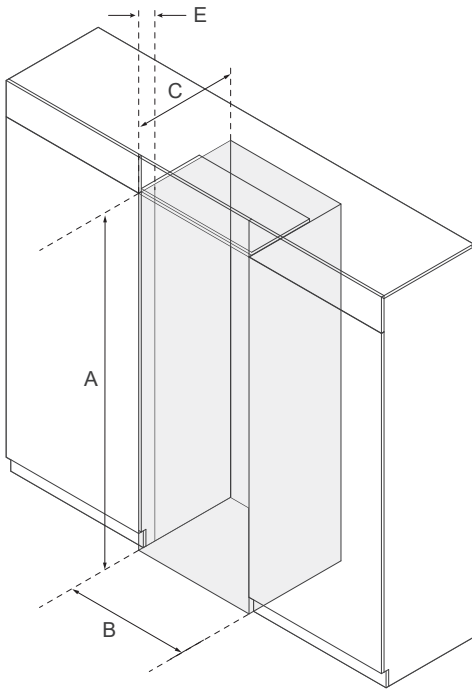
DIMENSIONES DEL PRODUCTO



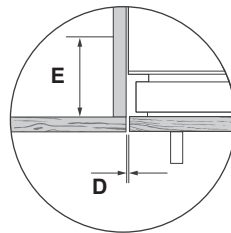
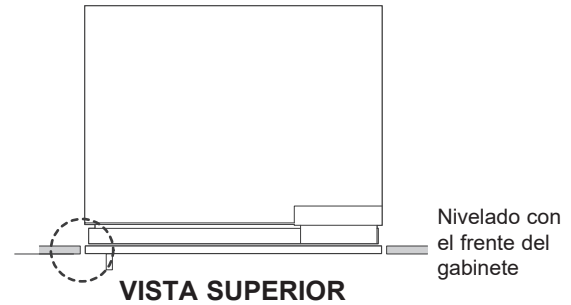
Dimensiones del Producto	pulg.	cm.
A. Altura total	83 3/4"	212.7cm
B. Ancho total	23 3/4"	60.3cm
C Profundidad total (excluyendo el panel de la puerta)	24"	61cm
D Profundidad del zócalo (medida desde la parte trasera del panel de la puerta)	2 7/8" – 4"	7.3 – 10.2cm
E Altura desde el piso hasta la parte inferior del panel de la puerta	4"	10.2cm

Dimensiones

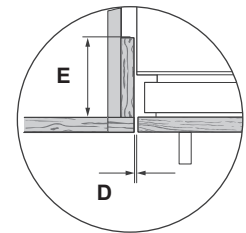
DIMENSIONES DE LA CAVIDAD DE LOS GABINETES



DIMENSIONES DE LOS ESPACIOS LIBRES



Alinea el electrodoméstico con los gabinetes

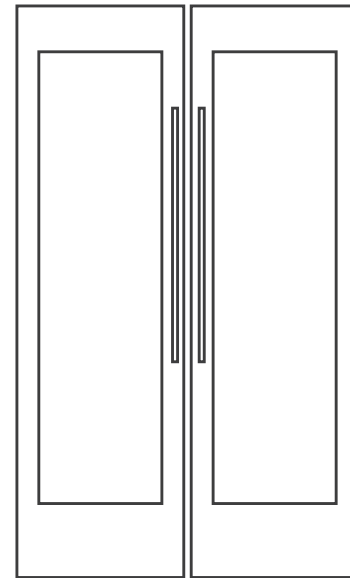
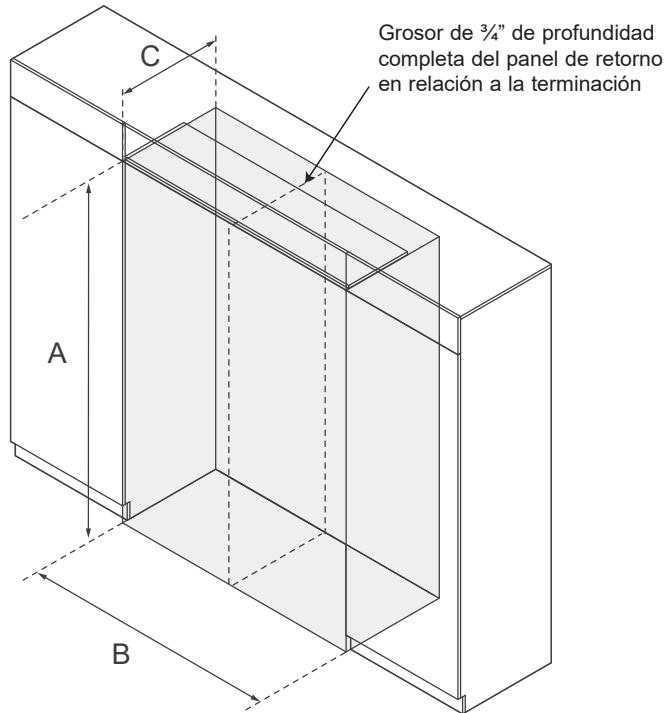


Alinea el electrodoméstico con la estructura de los gabinetes

Dimensiones de la Cavidad de los Gabinetes	pulg.	cm.
A Altura total de los gabinetes	84"	213.4cm
B Ancho total de los gabinetes	24"	61cm
C Profundidad total mínima de la cavidad	25"	63.5cm
D Brecha mínima desde el extremo del panel de la puerta hasta los gabinetes	1/8"	0.3cm
E Mínimo requerido para el retorno en relación a la terminación	4"	10.2cm

Dimensiones

DIMENSIONES DE LA CAVIDAD DE LOS GABINETES – INSTALACIÓN DOBLE

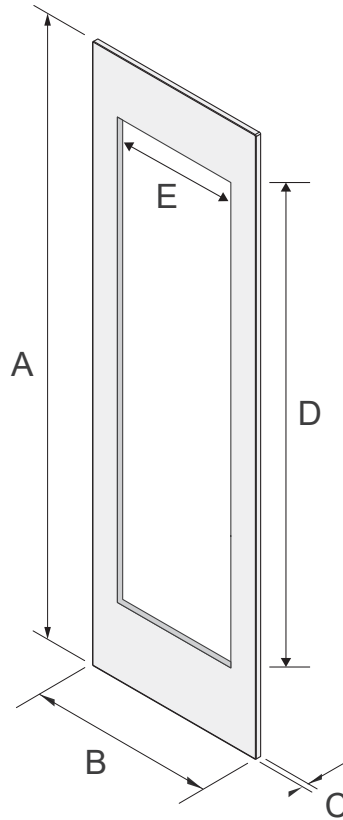


NOTA: Instalación de manija a manija únicamente.

Dimensiones de la Cavidad de los Gabinetes	pulg.	cm.
A Altura total de los gabinetes	84"	213.4cm
B Ancho total de los gabinetes	48 3/4"	123.8cm
C Profundidad total mínima de la cavidad	25"	63.5cm
Brecha mínima desde el extremo del panel de la puerta hasta los gabinetes	1/8"	0.3cm

Dimensiones

DIMENSIONES DEL PANEL DE PUERTAS



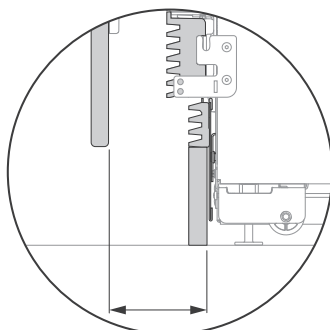
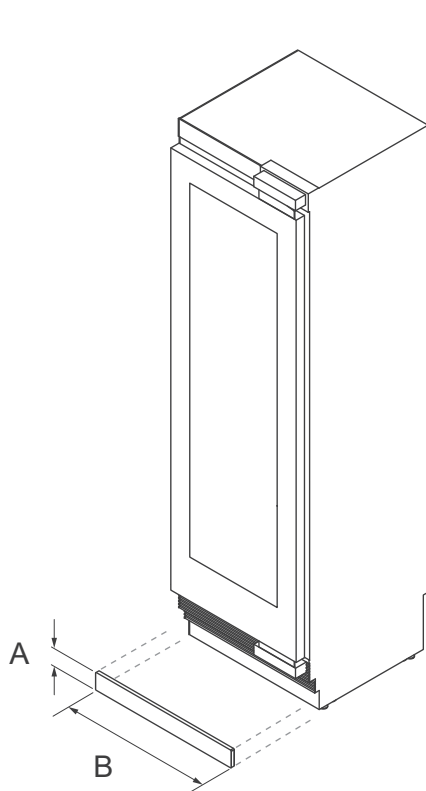
Dimensiones del Panel de Puertas	pulg.	cm.
A Altura del panel de puertas *	79 7/8"	202.9
B Ancho del panel de puertas	23 3/4"	60.3
C Grosor del panel de puertas	3/4"	1.9
D Altura del panel de vidrio	62 9/16"	158.9
E Ancho del panel de vidrio	16 5/16"	41.5

*Panel de puerta de acero inoxidable y panel de puerta a medida con zócalo de 4" de alto.

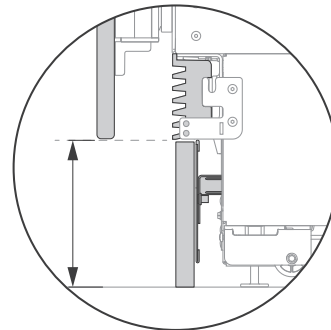
IMPORTANTE: El peso máximo del panel de puertas a medida es de 22 libras. **No cubra el vidrio.**

Dimensiones

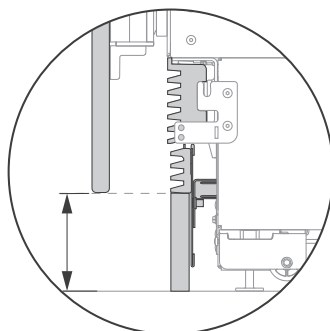
OPCIÓN DE ZÓCALO A MEDIDA



Profundidad del zócalo de 2 7/8" a 4" (73 a 102mm) medido desde la parte trasera del panel de puertas (La posición de la profundidad del zócalo se podrá establecer ajustando los soportes de la placa de montaje del zócalo. Consulte la "Instalación del Zócalo").

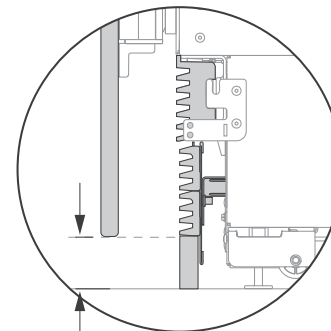


Altura del zócalo de 6" (152mm) (sin la parrilla inferior adherida)



Altura del zócalo de 4" (102mm) (altura estándar de zócalo)

NOTA: Si la altura del Zócalo a Medida es de 4 1/2" a 5", será necesario cortar la parrilla inferior. Consulte la sección de "Instalaciones de las Parrillas".



Altura del zócalo de 2" (51mm) (con la parrilla inferior adherida)

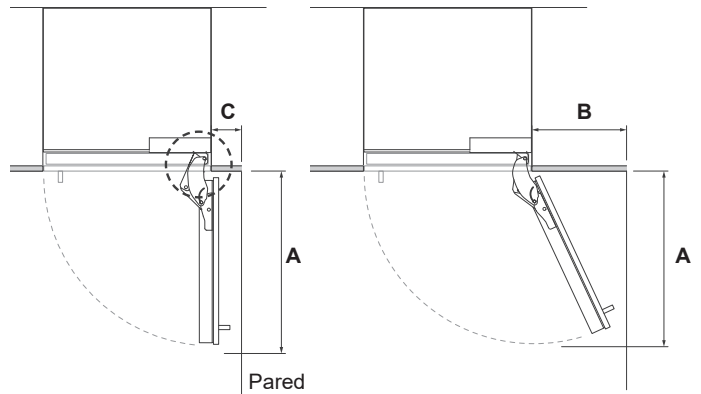
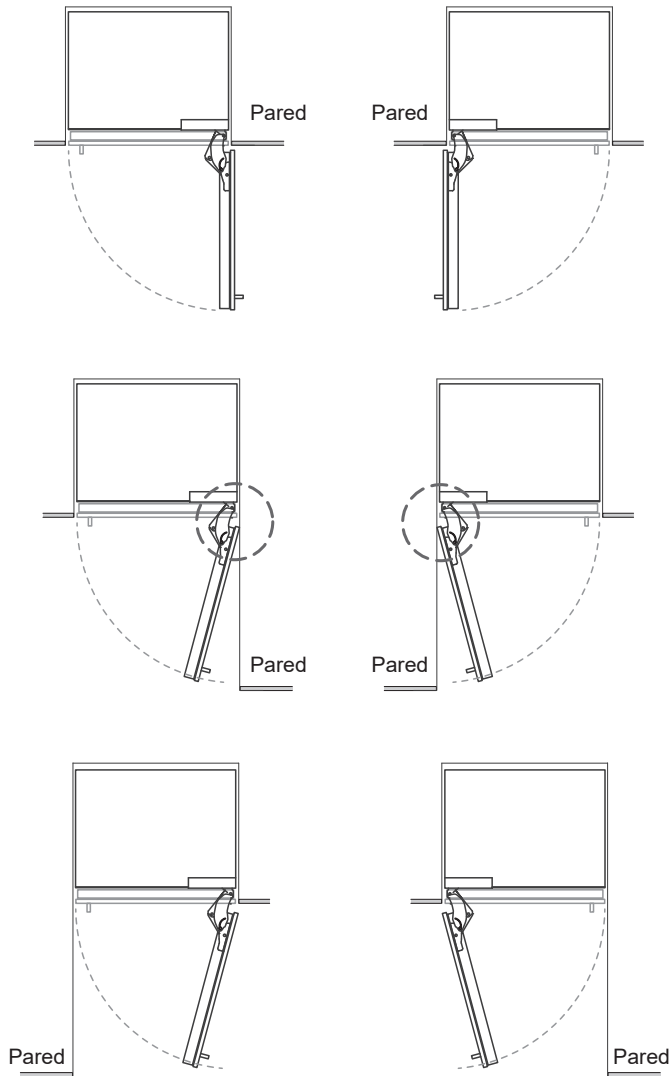
NOTA: La parrilla extra baja no se suministra con el producto y se podrá adquirir por separado. Use la parte n° WR13X46927 para ordenar una parrilla baja adicional.

Dimensiones del Zócalo	pulg.	cm.
A Altura del zócalo*	4"	10.2cm
B Ancho del zócalo	23 7/8"	60.6cm

*La altura estándar del zócalo es de 4" (102mm).

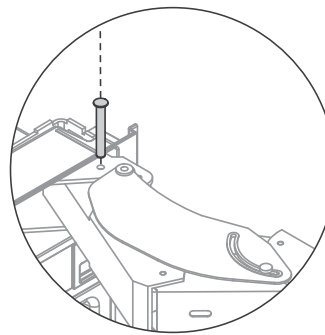
Dimensiones

OPCIONES DE INSTALACIÓN



**PUERTA ABIERTA
A 90°**

**PUERTA ABIERTA
A 115°**



Inserte los pernos de limitación de bisagra

Si se desea un límite máximo de apertura de puerta de 90°, antes de empujar el electrodoméstico entre los gabinetes, inserte los pernos de limitación de bisagra suministrados dentro del orificio de las bisagras superior e inferior. Asegúrese de insertar los pernos a presión completamente hasta abajo antes de cerrar la puerta.

Las ilustraciones que aparecen más arriba muestran opciones aceptables de instalación haciendo referencia al rango de apertura de puerta. Tenga cuidado en relación al choque (en el giro) de las puertas y manijas. De ser necesario, use pernos de limitación de bisagras para restringir la rotación de la apertura hasta 90°.

NOTA: El producto sólo posee bisagras del lado derecho. Si la instalación requiere una inversión del giro de la puerta, siga las instrucciones en la sección de "Inversión del Giro de la Puerta" para invertir el giro de la puerta ANTES de que la unidad sea retirada de la superficie antideslizante del embalaje y antes de seguir los demás pasos.

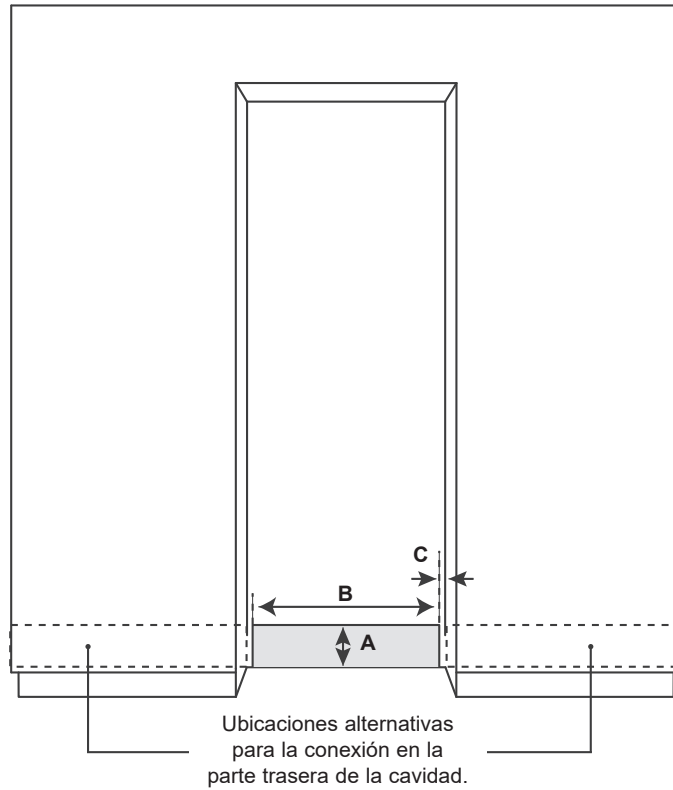
Las dimensiones están basadas en la altura de la manija de 2 9/16" (6.5 cm.).

Dimensiones del Espacio Libre para la Puerta	pulg.	cm.
A Ancho de la puerta (apertura de puerta de 90° desde el frente de la puerta)	26"	66cm
B Espacio libre mínimo de la puerta en relación a la pared adyacente (apertura de puerta a 115°)	15"	38.1cm
C Espacio libre mínimo de la puerta en relación a la pared adyacente (apertura de puerta a 90°)	5 1/4"	13.3cm

Dimensiones

ESPECIFICACIONES ELÉCTRICAS

Se recomienda un suministro de corriente aparte de 115 voltios, 60Hz., y 15 o 20 amperes para cada producto. Se recomienda el uso de un circuito individual derivado o un disyuntor correctamente conectado a tierra. Instale un receptáculo eléctrico de 3 patas correctamente conectado a tierra en la pared trasera. Se recomienda que la conexión eléctrica esté detrás o de forma adyacente a la unidad, como se muestra a continuación.



Dimensiones del Área de Suministro Eléctrico	pulg.	cm.
A Altura total del área de suministro	9"	22.9cm
B Ancho total del área de suministro	22"	55.9cm
C Espacios libres a ambos lados	1"	2.5cm

Antes de la Instalación

UBICACIÓN DEL REFRIGERADOR/ FREEZER

- No instale el electrodoméstico en lugares donde la temperatura sea inferior a los 55°F (13°C). Éste no funcionará con la frecuencia suficiente como para mantener las temperaturas apropiadas.
- No instale el electrodoméstico en lugares donde la temperatura sea superior a los 100°F (37°C). Éste no funcionará correctamente.
- No instale el electrodoméstico en una ubicación expuesta al agua (lluvia, etc.) o en contacto directo con la luz solar.
- Instale el mismo en un piso lo suficientemente fuerte como para soportarlo completamente cargado.

⚠ ADVERTENCIA Riesgo de Caída.

Este electrodoméstico es inestable. Tenga extremo cuidado al moverlo, a fin de evitar caídas hacia adelante que podrían resultar en la muerte o lesiones graves.

PISO

Para una instalación correcta, este producto se deberá ubicar en una superficie nivelada de material duro que posea la misma altura en el resto del piso. Esta superficie deberá ser lo suficientemente fuerte para soportar una columna de vinos completamente cargada.

NOTA: Proteja el acabado del piso.

NOTA: No recomendado para la instalación en pisos alfombrados.

CONEXIÓN A TIERRA DE LA UNIDAD

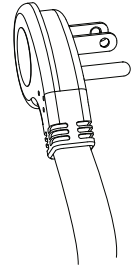
⚠ ADVERTENCIA Riesgo de Descarga

Si no se siguen estas instrucciones, se podrá producir la muerte, incendios o descargas eléctricas.

El cable de corriente de este electrodoméstico cuenta con un enchufe de 3 cables (conexión a tierra) que se conecta a un tomacorriente de pared estándar de 3 cables (conexión a tierra) para minimizar el riesgo de posibles descargas eléctricas por parte del mismo.

Contrate a un electricista calificado para que controle el tomacorriente y el circuito eléctrico, a fin de asegurar que el enchufe esté correctamente conectado a tierra.

En caso de contar con un tomacorriente de pared de 2 cables, es su responsabilidad y obligación reemplazarlo por un tomacorriente de pared de 3 cables correctamente conectado a tierra.



NUNCA, BAJO NINGUNA CIRCUNSTANCIA, CORTE NI ELIMINE EL TERCER CABLE (TIERRA) DEL CABLE DE CORRIENTE.

NO USE UN ENCHUFE ADAPTADOR PARA CONECTAR EL REFRIGERADOR A UN TOMACORRIENTE DE 2 CLAVIJAS.

NO USE UN CABLE DE EXTENSIÓN CON ESTE ELECTRODOMÉSTICO.

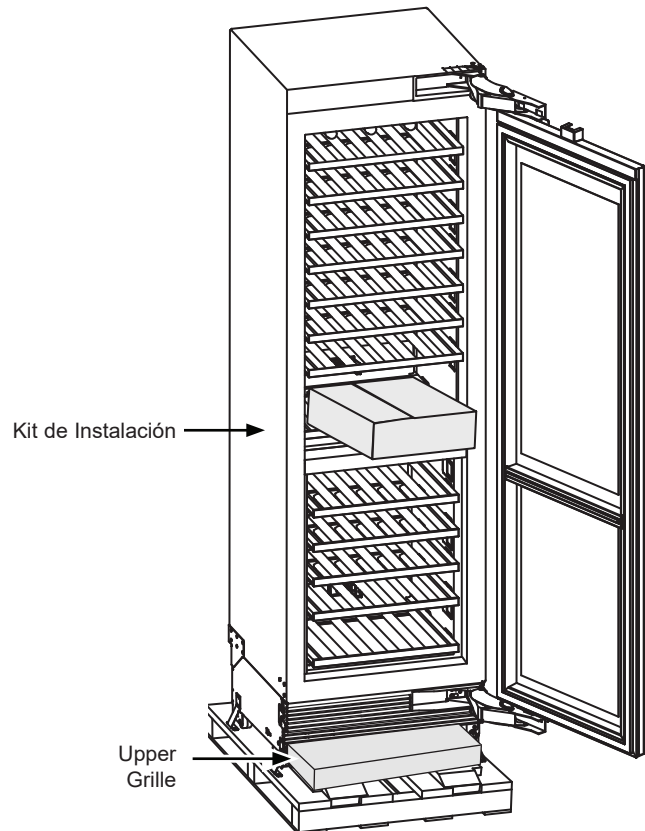
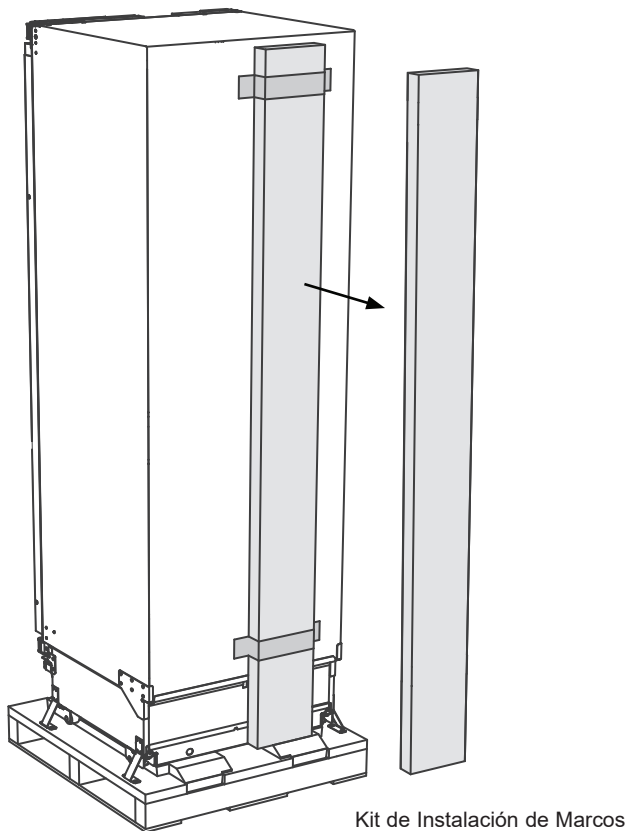
Antes de la Instalación

RETIRO DEL EMBALAJE

- Retire el cartón externo y el embalaje externo de la columna de vinos.
- Hay una caja con partes encintada sobre la parte trasera del electrodoméstico. Estas partes se usarán durante la instalación del panel de puertas. Consulte el **KIT DE INSTALACIÓN DE MARCOS** en la sección de **PARTES Y HERRAMIENTAS SUMINISTRADAS**.
- Hay una caja de partes dentro del compartimiento superior. Estas partes se usarán durante la instalación. Consulte el "KIT DE INSTALACIÓN" en la sección de "PARTES Y HERRAMIENTAS SUMINISTRADAS".
- Hay una caja de partes en el frente del electrodoméstico, debajo de la puerta de vidrio. Esta caja contiene una parrilla superior para cambiar las bisagras del lado derecho al lado izquierdo. Consulte la sección de **PARTES Y HERRAMIENTAS SUMINISTRADAS**.

- Inspeccione que no haya daños.
- Asegúrese de que el piso donde el electrodoméstico está apoyado se encuentre despejado/ libre de escombros que podrían ser arrastrados o pellizcados frente a las ruedas, dañando así el piso. De forma adicional, se recomienda que el piso esté protegido por una cobertura plástica a través del proceso de instalación.

NOTA: El producto sólo posee bisagras del lado derecho. Si la instalación requiere una inversión del giro de la puerta, siga las instrucciones en la sección de "Inversión del Giro de la Puerta" para invertir el giro de la puerta ANTES DE QUE LA UNIDAD sea retirada de la superficie antideslizante del embalaje y antes de seguir los demás pasos.



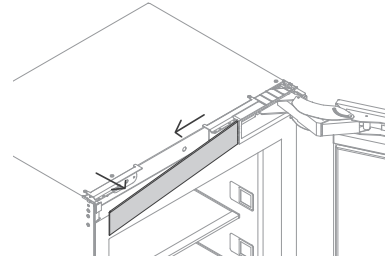
Antes de la Instalación

RETIRO DE PARTES PREINSTALADAS

Marco Superior

Retire un extremo del marco superior de las tiras de bloqueo dobles sobre el lado sin bisagra.

Deslice el marco superior fuera del brazo de la bisagra superior.

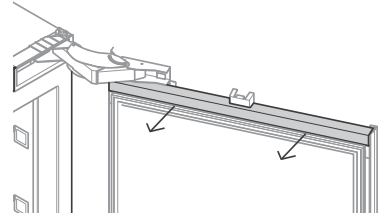


Tapa de la Puerta Superior

Retire con cuidado las tapas del extremo de la tapa superior desde ambos extremos de la tapa, elevando el extremo de la tapa superior levemente y deslizando la tapa del extremo hacia los costados.

Destrabe y libere el centro de la tapa desde la parte inferior de la carcasa imantada de la puerta para retirar la tapa.

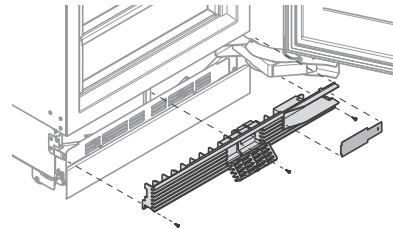
Asegúrese de que el imán permanezca en su lugar y no se dañe, ya que esto afectará el funcionamiento del electrodoméstico.



Parrilla Superior

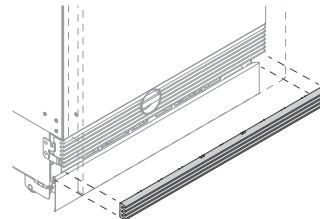
Retire la tapa del brazo de la bisagra inferior usando un destornillador de punta plana en la ranura.

Abra la compuerta central de la parrilla superior presionando la parte superior de la compuerta una vez para destrabar y desenroscar el tornillo n° 8x16. Retire la parrilla superior desenroscando los tornillos n° 8x16 desde ambos extremos de la parrilla.



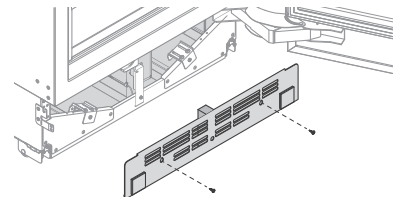
Parrilla Inferior

La parrilla inferior se puede retirar con los imanes.



Placa de Montaje del Zócalo

Retire los tornillos para quitar la placa de montaje del zócalo.



Deje a un costado las partes retiradas para reutilizar las mismas de forma posterior.

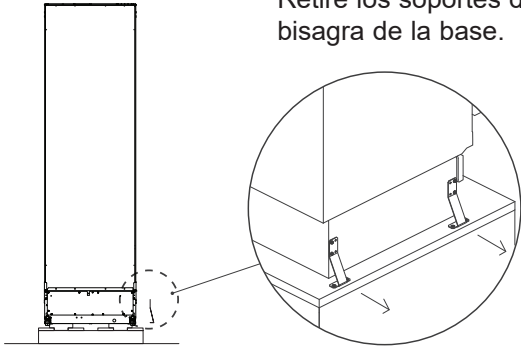
Antes de la Instalación

MUEVA EL ELECTRODOMÉSTICO

Tenga cuidado al inclinar el electrodoméstico hacia adelante / atrás. Enciente la puerta cerrada para evitar su apertura mientras se mueve. Usted deberá contar por lo menos con dos personas para mover el electrodoméstico.

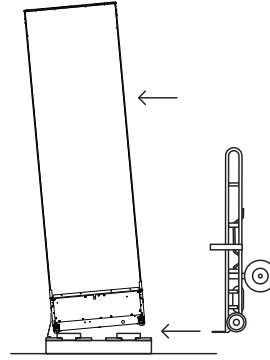
1

Retire los soportes del lado sin bisagra de la base.



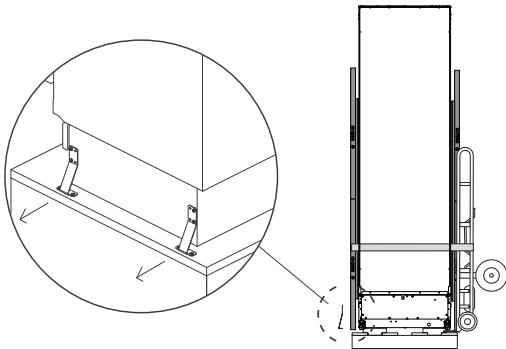
2

Incline el electrodoméstico levemente hacia adelante e inserte el carro manual entre la base y el electrodoméstico.



3

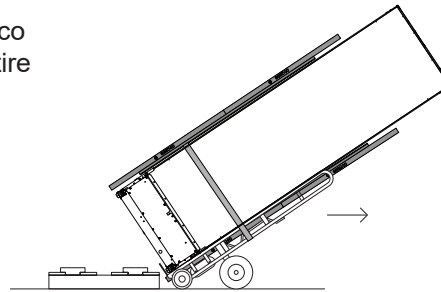
Contenga el electrodoméstico con la tira y retire los soportes restantes.



4

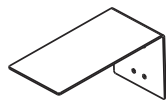
Incline el electrodoméstico hacia atrás para cargarlo en el carro manual y deje la base a un costado.

Empuje el carro manual hasta la ubicación de la instalación.



INSTALACIÓN DEL MATERIAL ANTIVOLCADURAS

Kit de Ensamble del Soporte Antivolcaduras



Soporte antivolcaduras (x1)

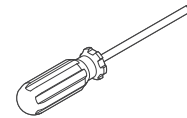


Taquete (x4)

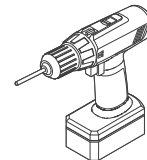


Tornillo de estrella n°10x35 (x4)

Herramientas Necesarias



Destornillador de estrella



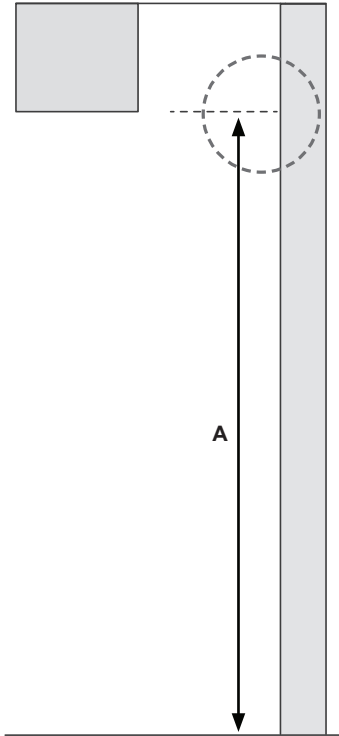
Destornillador eléctrico



Lápiz

Instalación de los Materiales Antivolcaduras

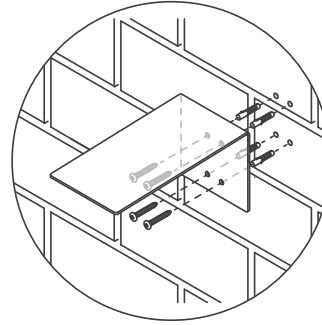
ADHESIÓN DEL SOPORTE ANTIVOLCADURAS



1

Mida la altura (A) de la ubicación de adhesión desde el piso hasta el retorno del hueco.

- La altura (A) no deberá superar los 84 3/16" (213.8cm) para asegurar que el electrodoméstico no se vuelque durante la instalación.

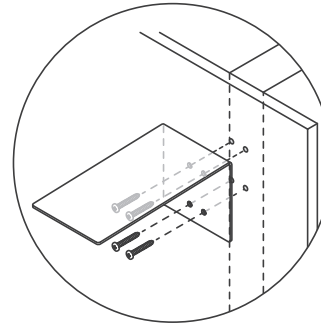


4

Para una instalación sólida sobre la pared

Perfore agujeros adecuados al tamaño de los taquetes.

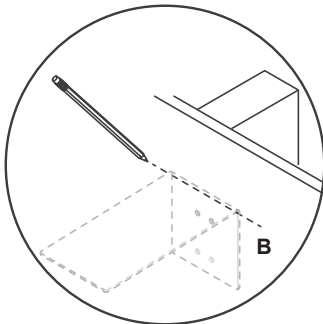
Martille los taquetes de 10x30 en la pared hasta que queden nivelados. Coloque el soporte en la pared con los tornillos de estrella nº 10x35, y enrosque hasta que queden bien ajustados.



5

Para pared con tabla de yeso

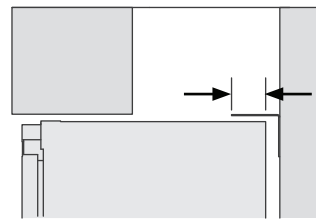
Coloque el soporte antivolcaduras en la pared con los tornillos de estrella nº10x35, y atornille hasta que queden bien ajustados con un destornillador.



2

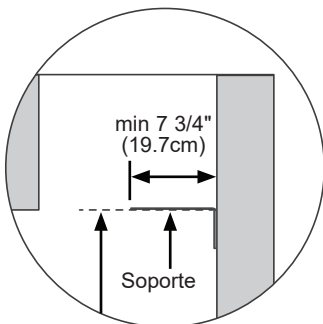
Marque una línea horizontal (B) en la pared trasera.

- Asegúrese de que haya un travesaño detrás de la pared.



Al rodar el electrodoméstico en el espacio entre los gabinetes, asegúrese de que el soporte antivolcaduras se superponga con el extremo trasero del electrodoméstico.

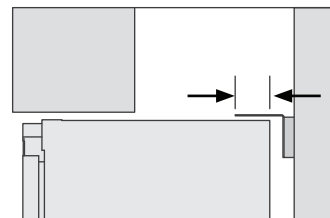
- EL soporte deberá superponerse al electrodoméstico como mínimo 7 1/16" (18cm) para quedar bien sostenido.



3

Coloque el soporte sobre la pared trasera. Alinee la parte inferior del soporte a lo largo de la línea marcada.

Marque las ubicaciones de los agujeros de los tornillos, y perfore agujeros para los tornillos con el taladro eléctrico.



Si no se puede lograr una superposición de 7 1/16" (18cm), instale un espaciador sólido sobre el travesaño de pared detrás del soporte.

- Tenga cuidado de no pasar por encima del cable de corriente al rodar el electrodoméstico.

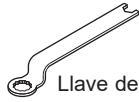
Preparación del Electrodoméstico

PASO 1 RETIRE EL SOPORTE DE SUSPENSIÓN

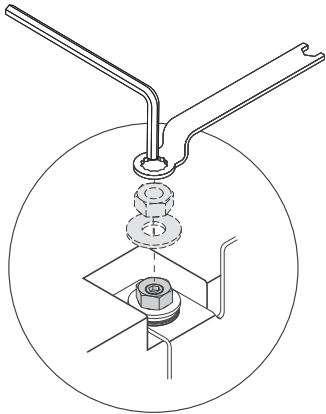
Herramientas Necesarias



Llave hexagonal

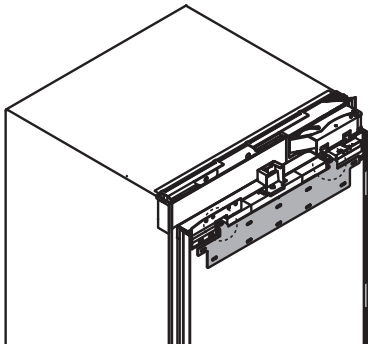


Llave de tuercas



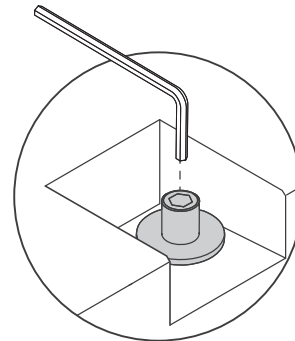
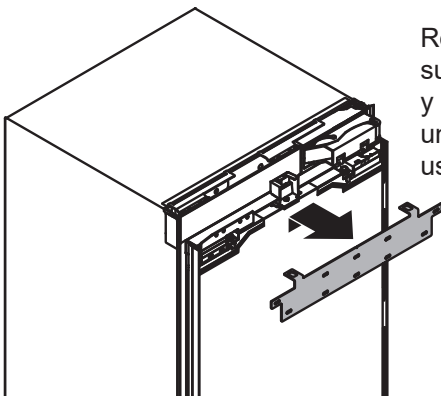
1

Retire la tuerca M8 y la arandela M8 del tornillo M8 en la parte superior de la puerta, usando la llave hexagonal y la llave de tuercas suministradas.



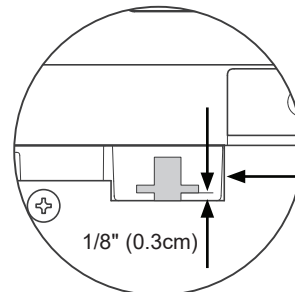
2

Retire el soporte de suspensión superior y deje el mismo a un costado para su uso posterior.



3

Afloje los tornillos M8 de 1/8" (0.3 cm)

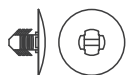


Tornillo M8

1/8" (0.3cm)

Preparación del Electrodoméstico

Kit de Sujetadores para Asegurar la Unidad

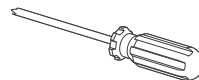


Tapones de espiga (x2)



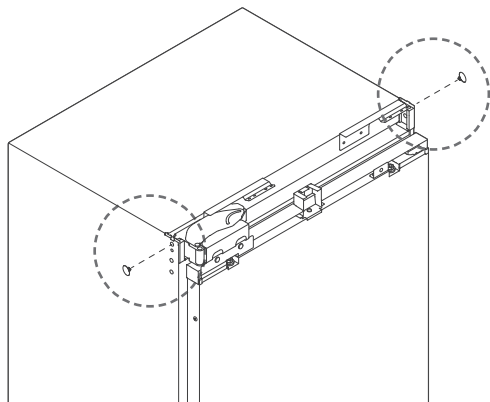
Medidor de alineación de profundidad del gabinete (x4)

Herramientas Necesarias

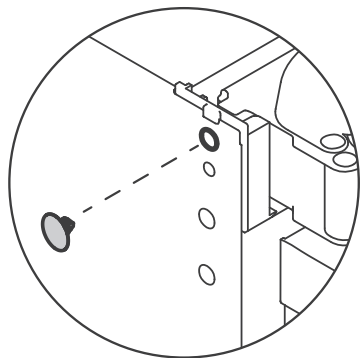


Destornillador de estrella

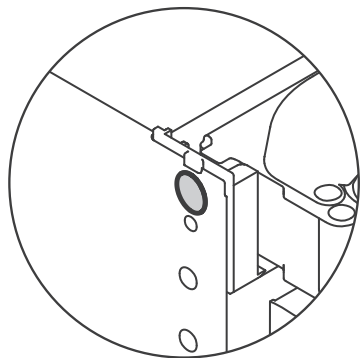
PASO 2 ADHESIÓN DE LOS TAPONES DE ESPIGA



Las ilustraciones podrán variar en relación al electrodoméstico que adquirió.

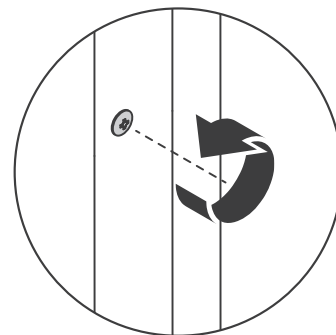
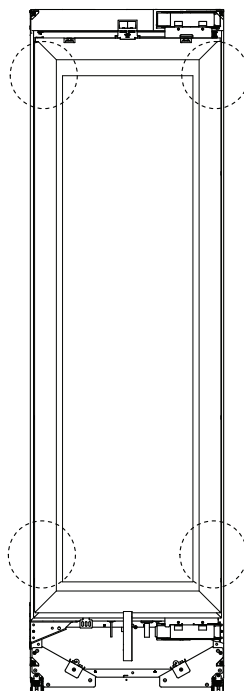


Antes de rodar hacia la cavidad, inserte el tapón de espiga en los agujeros grandes sobre los lados superior derecho e izquierdo del electrodoméstico.



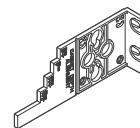
Los tapones evitan que la superficie interior de los gabinetes sufran daños cuando los tornillos hacen presión sobre el electrodoméstico.

PASO 3 ADHESIÓN DE LOS MEDIDORES DE ALINEACIÓN DE PROFUNDIDAD

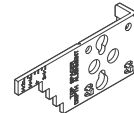


Afloje los tornillos derecho e izquierdo del lado superior e inferior de la puerta.

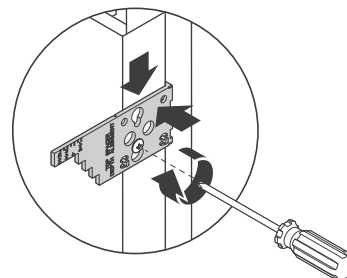
Ubique los medidores de alineación en la orientación correcta sobre los tornillos derecho e izquierdo.



Izquierda



Derecha



Ubique el medidor de alineación insertando la cabeza del tornillo a través de la cerradura del medidor.

Presione el medidor de alineación hacia abajo hasta la posición de bloqueo.

Ajuste el tornillo lo suficiente como para que sostenga el medidor de manera firme.

- Los medidores de alineación son sólo temporarios y se deberán retirar luego de la instalación.

Preparación del Panel de la Puerta – Panel de Acero Inoxidable

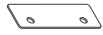
Kit de Adhesión del Panel de la Puerta



Soporte lateral (x10)



Deslizador del soporte (x10)



Espaciador del soporte (x10)

Tornillos

Desde el panel de la puerta de acero inoxidable y el zócalo



Tornillo con cabeza de hongo 8Gx16 (x 30)

Herramientas Necesarias



Destornillador eléctrico - de estrella

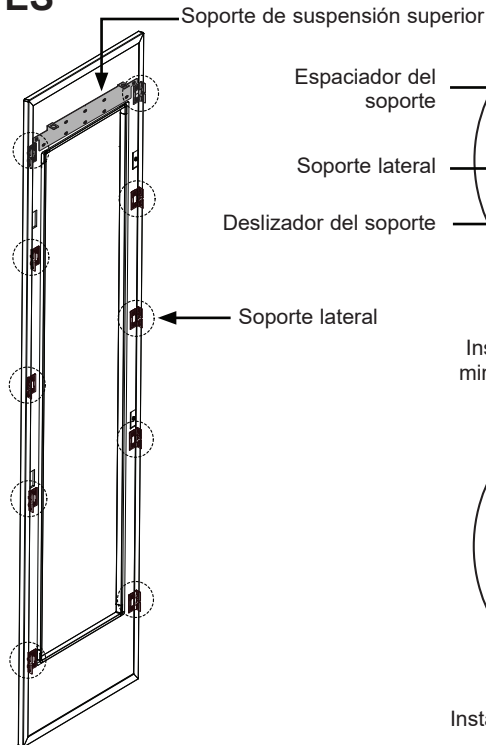
ADHESIÓN DE LOS SOPORTES

Retire la cinta azul adherida a los extremos interiores del panel de la puerta antes de adherir los soportes.

Retire la película protectora de los extremos interiores para evitar que quede atrapada debajo de los soportes.

Asegure el soporte de suspensión superior a los agujeros de los tornillos del panel de la puerta con los tornillos con cabeza de hongo 8Gx16 (x10).

Asegure el espaciador del soporte, el soporte lateral y el deslizador del soporte (en el orden en que figura en la ilustración) en los agujeros de los tornillos sobre ambos lados del panel de la puerta con los tornillos con cabeza de hongo 8Gx16 (x20). El soporte lateral se deberá poder mover libremente tanto de forma horizontal como vertical.



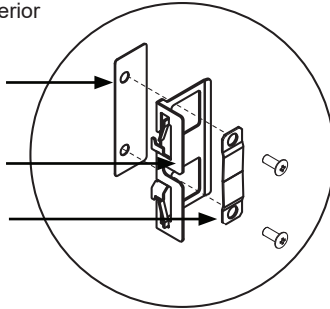
Soporte de suspensión superior

Espaciador del soporte

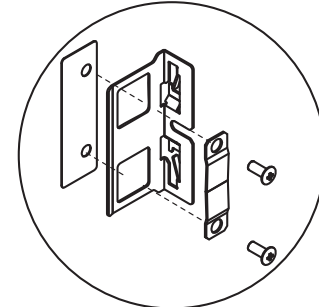
Soporte lateral

Deslizador del soporte

Soporte lateral



Instalación del lado izquierdo cuando mira hacia atrás del panel de la puerta



Instalación del lado derecho cuando mira hacia atrás del panel de la puerta

ADHESIÓN DE LA MANIJA MINIMALIST / STATEMENT

Retire la película protectora alrededor del área de adhesión de la manija antes de instalar esta última. Proteja el acabado del panel de la puerta para evitar daños o rayones sobre la superficie.

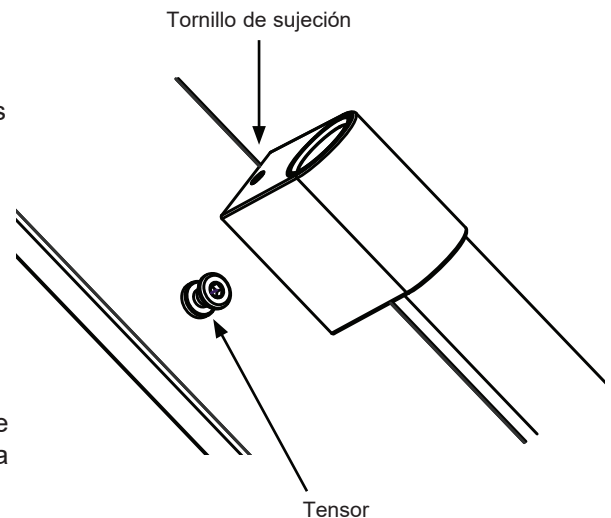
Asegúrese de que los tornillos de ajuste estén flojos sobre las tapas de la manija. Coloque la manija sobre los tensores de la puerta.

Tenga el cuidado de sostener la manija sobre los tensores de la puerta. Asegúrese de sostener la manija de modo tal que no caiga y raye el acabado del electrodoméstico. Asegúrese de que ambas tapas de la manija estén apoyadas sobre la cara de la puerta.

Bloquee un extremo de la manija en su posición, ajustando el tornillo de sujeción sobre la tapa de la manija con la llave Allen provista con el kit de la manija. Asegúrese de no ajustar en exceso.

Continúe sosteniendo la manija mientras bloquea el otro extremo de la manija en su posición, ajustando el tornillo en la tapa de la manija con la llave Allen. Asegúrese de no ajustar en exceso.

NOTA: La llave Allen de 1/8" está incluida con el kit de la manija.



Tornillo de sujeción

Tensor

Preparación del Panel de la Puerta – Panel a Medida

Kit de Adhesión del Panel de la Puerta



Soporte lateral
(x10)



Deslizador del
soporte (x10)



Espaciador del
soporte (x10)



Tornillo de estrella
M5x12 (x44)

Herramientas Necesarias



Destornillador eléctrico

ADHESIÓN DE LOS SOPORTES

Consulte las “Dimensiones del panel de la puerta a medida” para conocer las posiciones correctas de los agujeros de los tornillos en el panel de la puerta. El panel a medida deberá poseer un grosor de $\frac{3}{4}$ ” (1.91 cm.).

NOTA: Recomendamos que el panel decorativo posea esquinas internas y extremos redondeados o biselados por el fabricante de gabinetes en la parte superior, inferior y en los extremos del lado de las bisagras. Los extremos a ser tratados deberán incluir el extremo superior, el inferior y los laterales de las bisagras.

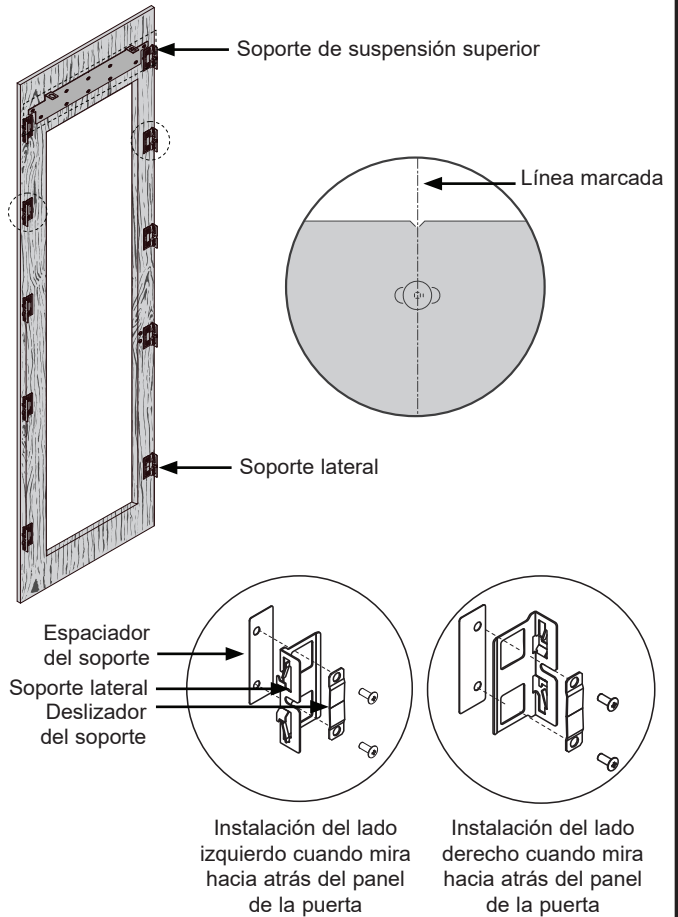
NOTA: Se recomienda realizar el acabado del lado trasero del panel. Las partes del lado trasero del panel estarán visibles cuando se abra la puerta.

Marque una línea a través del centro del panel de la puerta a medida.

Alinee la muesca en “V” en la parte superior del soporte hasta la línea central.

Asegure el soporte de suspensión superior a los agujeros de los tornillos del panel de la puerta a medida con los tornillos de estrella M5x12.

Asegure el espaciador del soporte, el soporte lateral y el deslizador del soporte (en el orden en que figura en la ilustración) en los agujeros de los tornillos sobre ambos lados del panel de la puerta con los tornillos de estrella M5x12. El soporte lateral se deberá poder mover libremente tanto de forma horizontal como vertical.



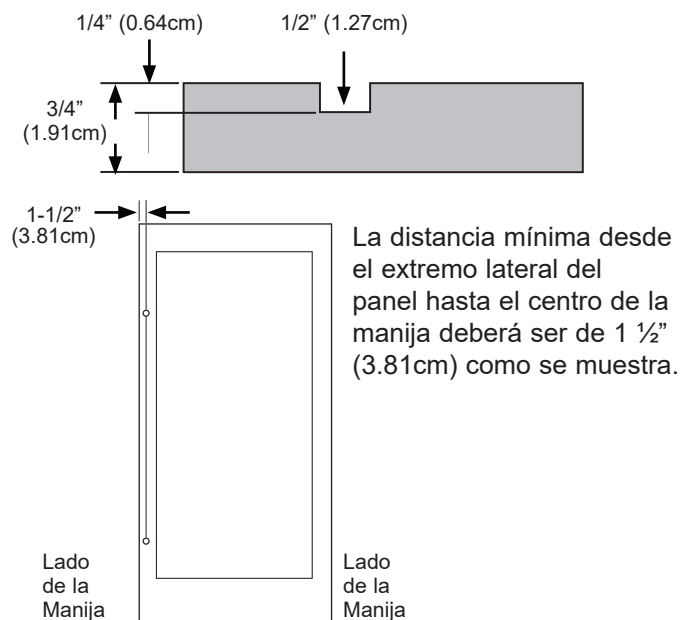
ADHESIÓN DE LA MANIJA

Se deberá tener cuidado de evitar que los orificios de la manija choquen con el soporte de suspensión superior del panel de la puerta y con los soportes laterales. Consulte las “Dimensiones del panel de la puerta a medida” para conocer las posiciones correctas de los agujeros de los tornillos en el panel de la puerta.

El panel a medida requiere una manija a medida del fabricante de gabinetes o el uso del Kit de Montaje de Manija – ZKPN (se vende por separado), si usará las manijas Statement o Minimalist de Monogram (se venden por separado).

Para la instalación de manijas a medida, taladre agujeros en la parte trasera del panel decorativo. Asegúrese de que $\frac{1}{2}$ ” (1.27cm) del grosor del material permanezca para el soporte de la manija.

NOTA: El agujero taladrado no deberá superar 1” (2.54 cm) de diámetro.



Preparación del Panel de la Puerta

Kit de Instalación de Marcos

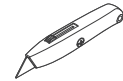


Marco largo (x2)

Herramientas Necesarias



Marco corto (x2)



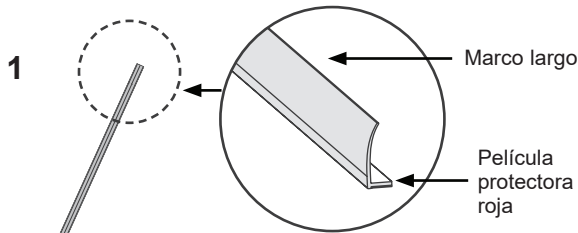
Cuchillo Multiuso

ADHESIÓN DE LOS MARCOS LARGOS DE VIDRIO

Los marcos de vidrios se encuentran adheridos para cubrir la brecha entre el panel de la puerta y el panel de vidrio.

Panel de puerta de acero inoxidable: Retire la película protectora que se encuentra sobre los rebordes inferiores del panel de la puerta, antes de instalar los marcos de vidrio.

NOTA: Los marcos son más largos que lo requerido. Será necesario cortarlos en la longitud correcta, como se muestra en el paso 3.



1
Retire una pequeña parte de la película protectora roja desde un extremo del marco largo.

2



Adhiera la parte descubierta del marco donde, comenzando desde la parte superior del reborde sobre un lado del recorte del panel de la puerta.

- Asegúrese de que el marco no se superponga con el soporte para colgar.

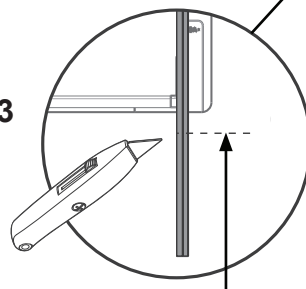
Alinee el marco de forma nivelada con el extremo interior del reborde.

Continúe adhiriendo el marco largo sobre la longitud del recorte del panel de la puerta, retirando la película a medida que avanza.

Recorte la longitud excesiva del extremo inferior del marco largo.

Repita todos los pasos del otro lado del recorte del panel de la puerta.

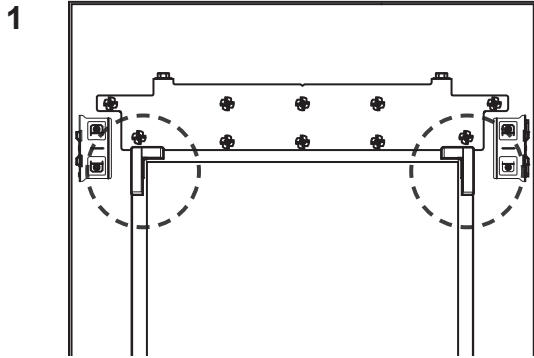
3



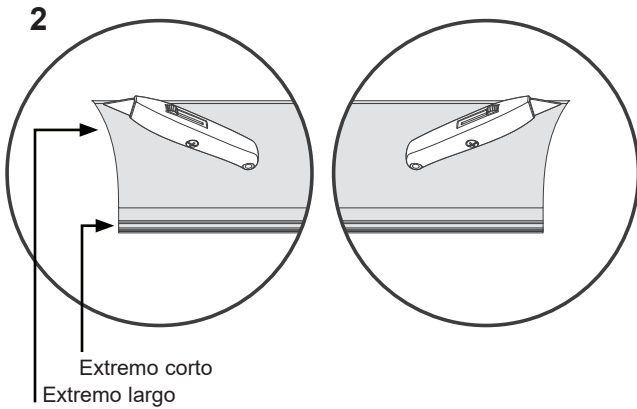
Corte la longitud excesiva del marco a lo largo de esta línea.

Preparación del Panel de la Puerta

ADHESIÓN DE LOS MARCOS CORTOS DE VIDRIO

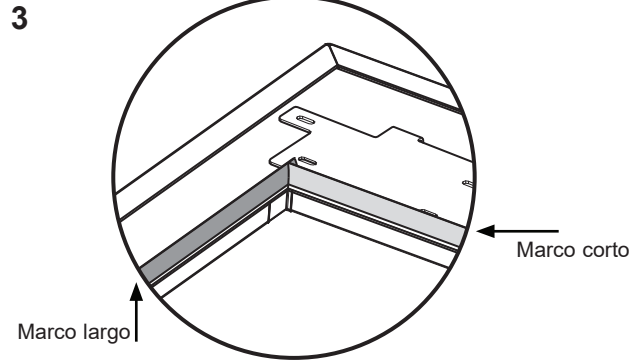


Coloque el marco corto a lo largo de la longitud de la parte superior del recorte del panel de la puerta, a través de los extremos superiores de los marcos largos.

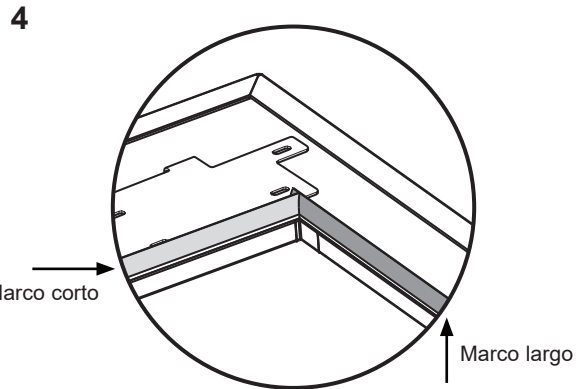


Corte ambos extremos del marco corto hasta la longitud establecida.

Pele una parte pequeña de la película protectora roja del extremo corto.



Adhiera la parte descubierta comenzando desde un extremo del reborde perpendicular hasta el extremo superior del marco largo.



Continúe adhiriendo el marco corto sobre la longitud de la parte superior del recorte del panel de la puerta, retirando la película a medida que avanza.

Asegúrese de que el marco esté alineado de forma nivelada con la parte interior del reborde.

Adhiera la parte pelada restante del marco corto en el reborde perpendicular al extremo superior del otro marco largo.

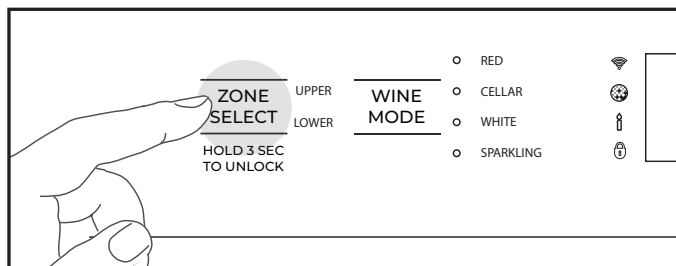
Repita los pasos 1 a 4 hasta la parte inferior del recorte del panel de la puerta.

REQUERIDO: CONEXIÓN DEL SUMINISTRO DE CORRIENTE

En la parte trasera del electrodoméstico, conecte el enchufe de corriente en el tomacorriente (115VAC, 60Hz).

- Se escuchará un sonido de campanada cuando se conecte el electrodoméstico.

Cuando reciba corriente por primera vez, su electrodoméstico pasará al modo Install (Instalación) por omisión.

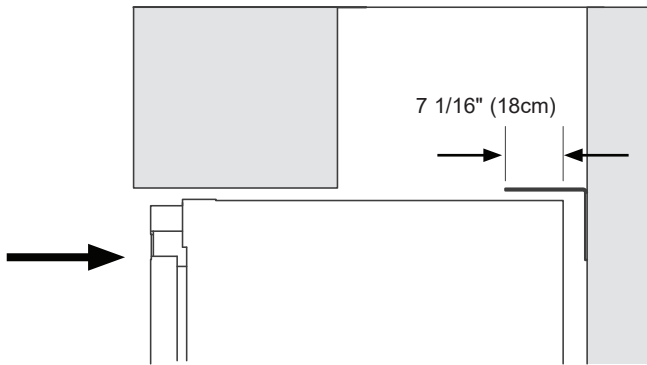


Una vez completada la instalación, active el electrodoméstico presionando **ZONE SELECT** (Selección de Zona) sobre el panel de control durante 4 segundos para iniciar la refrigeración. **NOTA:** Si eso no se hace, la unidad no enfriará.

- Para más información sobre cómo activar el electrodoméstico, consulte el "Manual del Propietario".

Alinee el Electrodoméstico con los Gabinetes

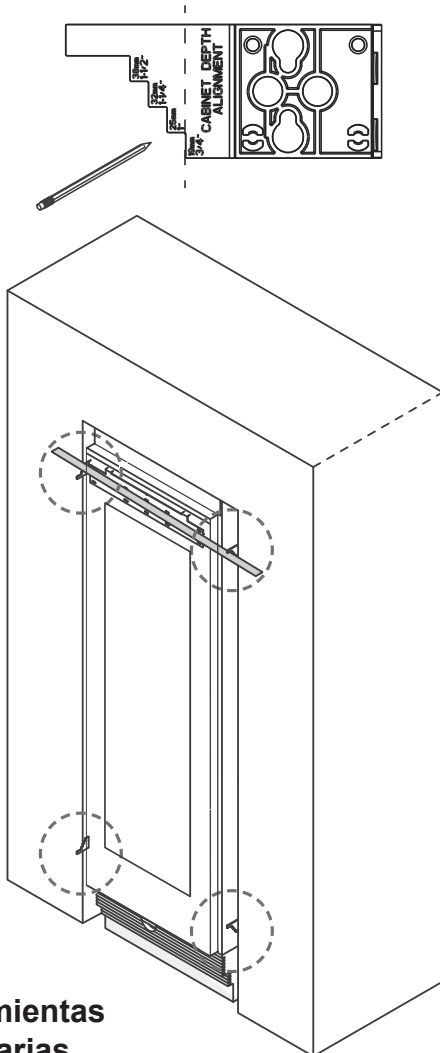
EMPUJE SOBRE LOS GABINETES



Ruede el electrodoméstico en el espacio entre los gabinetes hasta que el soporte antivolcaduras se superponga con el extremo trasero del electrodoméstico.

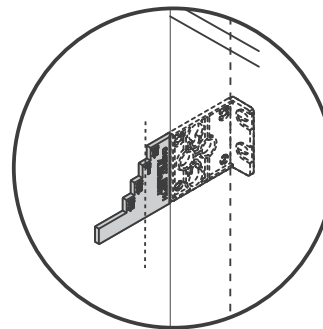
- Asegúrese de que el soporte se superponga con el electrodoméstico como mínimo 7 1/16" (18cm) para que quede bien sostenido.
- Tenga cuidado de no pasar por encima del cable de corriente al rodar el electrodoméstico.

ALINEACIÓN DE LOS MEDIDORES DE PROFUNDIDAD

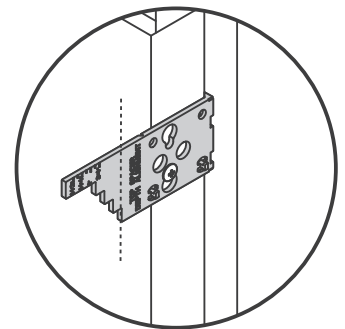


Del lado de la "Alineación de la profundidad de los gabinetes" de los medidores de profundidad, marque el paso sobre ambos lados de la puerta en base al grosor del panel de la puerta.

- La ilustración de ejemplo muestra el grosor del panel de la puerta de 3/4" (1.9cm) marcado en los medidores.

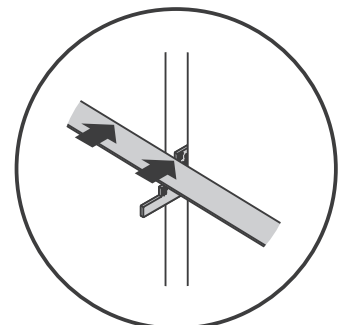
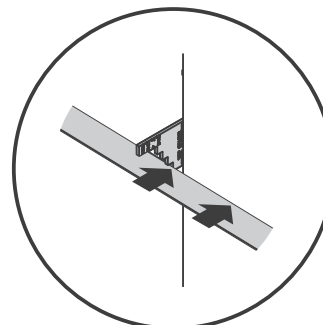


Izquierda



Derecha

Compruebe que las brechas entre el electrodoméstico y las paredes laterales de los gabinetes estén parejas sobre los lados izquierdo y derecho.

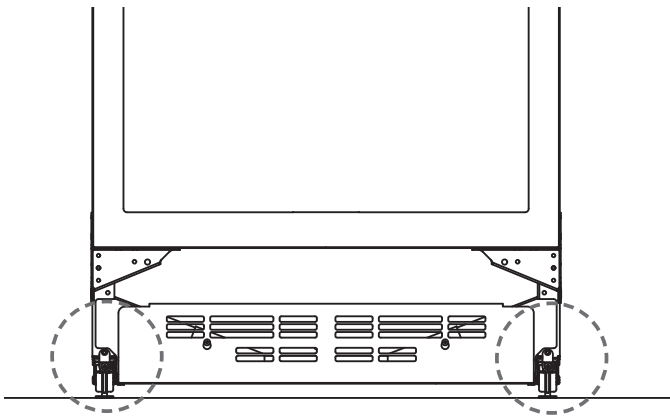


Herramientas Necesarias

- Regla
- Lápiz

Alinee el Electrodoméstico con los Gabinetes

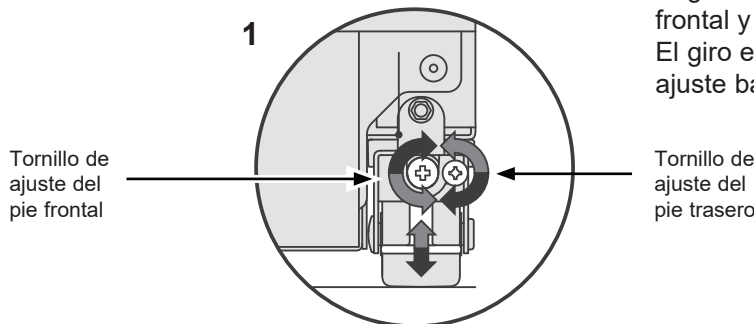
AJUSTE DE LA ALINEACIÓN DE LOS GABINETES



Herramientas Necesarias

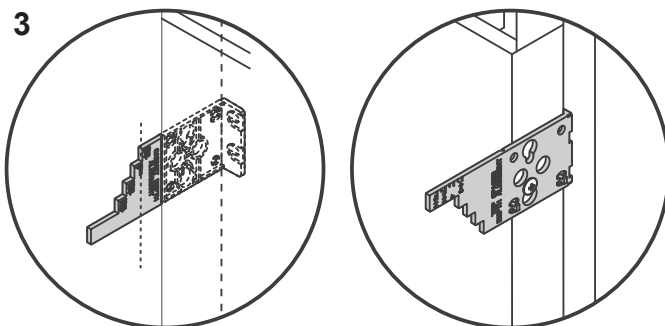
- Destornillador de estrella
- Destornillador eléctrico (opcional)
- Destornillador de vaso para puntas hexagonales (opcional)

El giro en sentido horario de los tornillos de ajuste frontal y trasero eleva la altura del electrodoméstico. El giro en sentido antihorario de los tornillos de ajuste baja la altura del electrodoméstico.



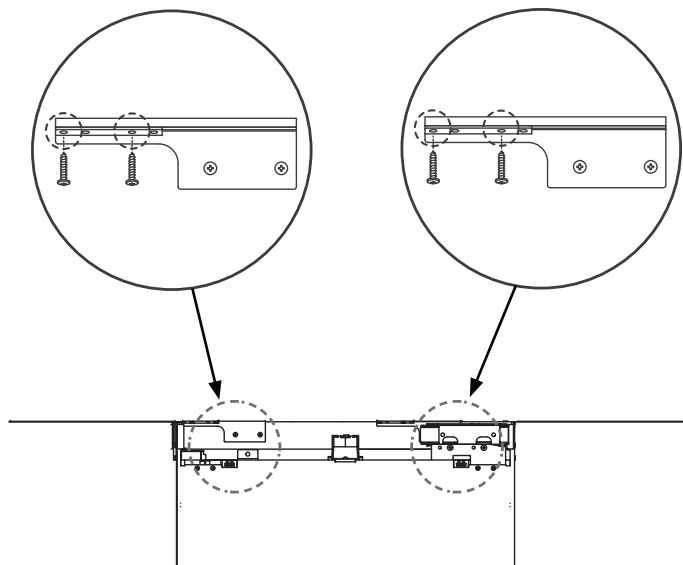
2

Gire los tornillos de ajuste frontal y trasero en sentido horario para extender los pies frontales y los pies traseros, hasta que se adhieran al piso y que el soporte superior alcance el cielorraso de los gabinetes.



Asegure el Electrodoméstico sobre los Gabinetes

ASEGURE LOS SOPORTES DEL HUECO SUPERIOR



Kit de Sujetadores para Asegurar la Unidad

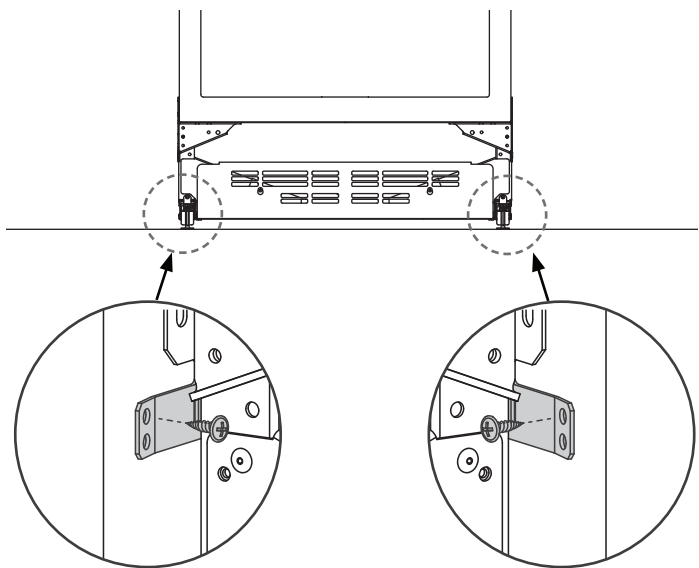
- Tornillo de Encastre 8Gx16 (x6)

Herramientas Necesarias

- Destornillador de estrella
- Destornillador eléctrico (opcional)

Fije los soportes del hueco superior a la superficie del cielorraso de los gabinetes con los tornillos de encastre 8Gx16 (x4).

ASEGURE LOS SOPORTES LATERALES



Fije los soportes laterales (x2) sobre los lados inferiores derecho e izquierdo de los gabinetes con los tornillos de encastre 8Gx16 (x2).

Una vez que el electrodoméstico se encuentre asegurado sobre los gabinetes, retire los medidores de alineación.

Instalación del Panel de la Puerta

PASO 1 CUELGUE EL PANEL DE LA PUERTA

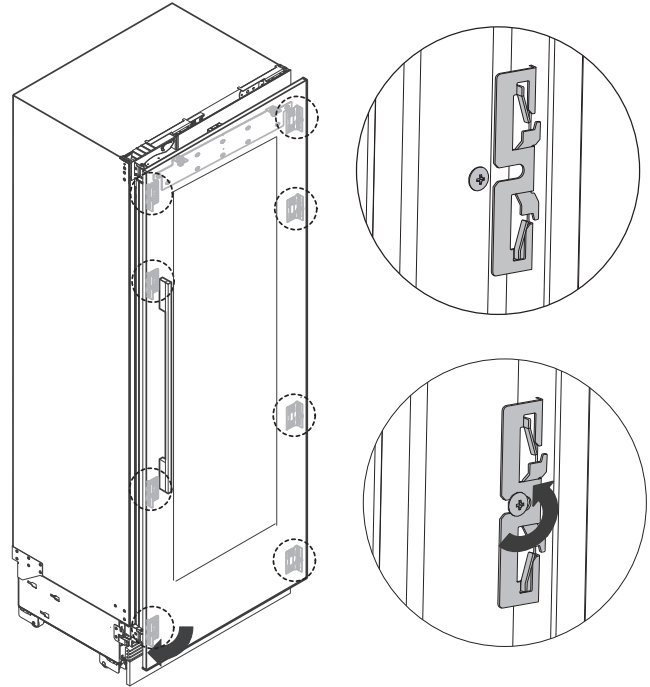
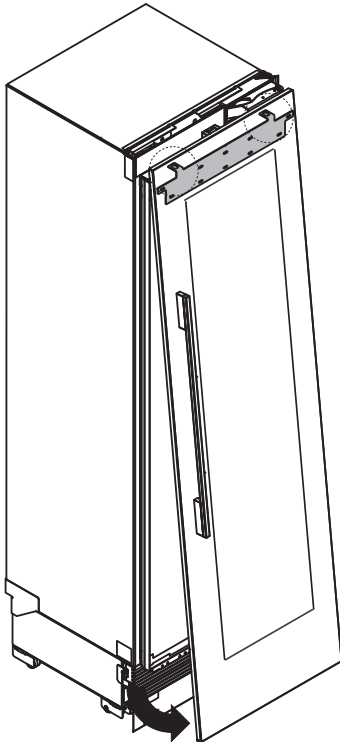
Herramientas Necesarias

- Destornillador de estrella
- Llave de tuercas
- Llave hexagonal

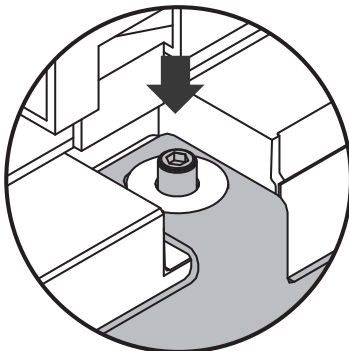
- Afloje los tornillos laterales sobre la puerta de vidrio, pero no los retire. Los soportes laterales sobre el panel de la puerta se deslizarán en estos tornillos.

NOTA: La imagen muestra la ubicación del soporte superior para colgar en relación a la puerta de vidrio y el panel de la puerta. El soporte se encuentra actualmente detrás del panel de la puerta.

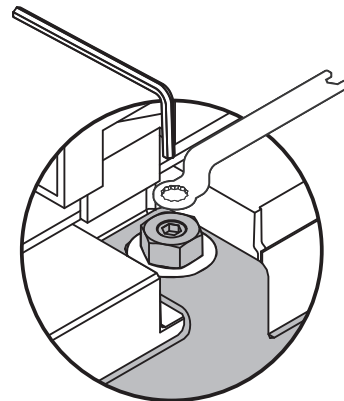
- Alinee el panel de vidrio de forma recta con la puerta de vidrio y deslice los soportes laterales sobre los tornillos laterales de la puerta de vidrio.
- Ajuste los tornillos laterales dejando los mismos flojos de forma temporaria para asegurar el panel de la puerta.



- Sostenga el panel de la puerta sobre un ángulo desde la parte superior de la puerta de vidrio y baje los agujeros de los tornillos del soporte superior para colgar dentro de los tornillos de ajuste sobre la puerta de vidrio.



- Atornille la arandela y tuerca M8 sobre el tornillo de ajuste y realice un ajuste que lo mantenga flojo.



Instalación del Panel de la Puerta

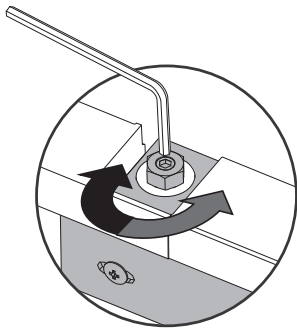
PASO 2 AJUSTE DEL PANEL DE LA PUERTA HACIA ARRIBA / ABAJO

Asegúrese de que los soportes laterales se atornillen de manera floja al ajustar la altura del panel de la puerta. No ajuste la altura del panel de la puerta cuando los soportes laterales se ajusten con presión. Esto podrá generar una fricción que haga que los soportes para colgar se inclinen.

Gire el tornillo de ajuste para subir o bajar la altura del panel de la puerta en relación a la puerta de vidrio.

Continúe el ajuste hasta que la brecha con los gabinetes sea superior a 1/8" (3mm).

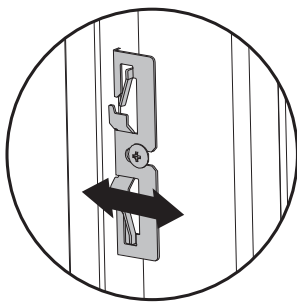
- No presione el tornillo de ajuste más de 1/4" (6.5mm) desde su posición completamente baja.



PASO 3 AJUSTE DEL PANEL DE LA PUERTA HACIA ADELANTE / ATRÁS

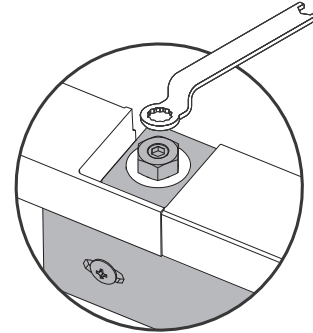
Afloje los tornillos laterales sobre los soportes laterales, y deslice el panel de la puerta hacia adelante / atrás en relación a la puerta de vidrio.

Vuelva a ajustar los tornillos laterales una vez que esté satisfecho.

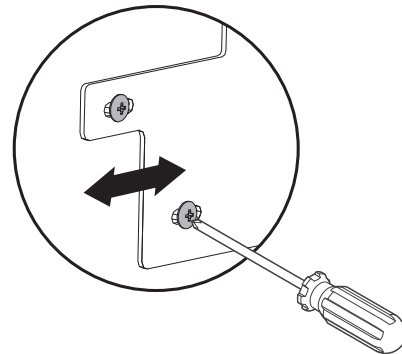


PASO 4 AJUSTE DEL PANEL DE LA PUERTA HACIA LA IZQUIERDA / DERECHA

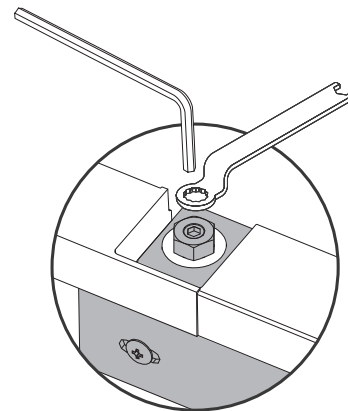
- Afloje las tuercas M8 en la parte superior. Deslice el panel de la puerta hacia la izquierda / derecha en relación a la puerta de vidrio.



- Si aún se requiere mayor ajuste, retire el panel de la puerta, afloje los tornillos de fijación del soporte superior para colgar y mueva el soporte superior para colgar hacia los costados para su calce.



- Una vez que esté satisfecho con la posición del panel de la puerta, ajuste completamente las tuercas M8 en la parte superior.



Instalación del Panel de la Puerta

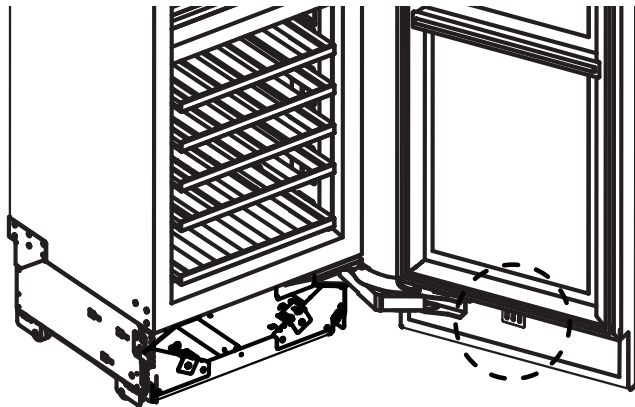
PASO 5 INSTALACIÓN DEL SOPORTE DEL PANEL INFERIOR

Kit de Sujetadores para Asegurar la Unidad

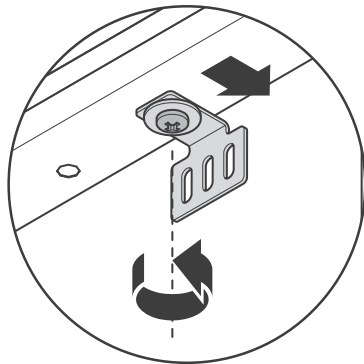
- Tornillo de Encastre 8Gx16 (x 1)

Herramientas Necesarias

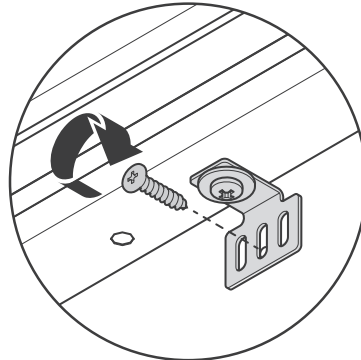
- Destornillador de estrella



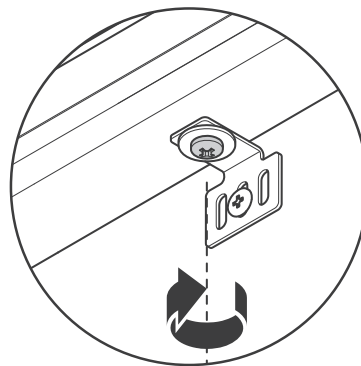
- Afloje el tornillo que sostiene el soporte en la parte inferior de la puerta de vidrio. Deslice el soporte hacia afuera hasta que toque el panel de la puerta.



- Fije el soporte sobre el panel de la puerta con el tornillo de encastre 8Gx16 (x1).



- Vuelva a ajustar el tornillo en la parte inferior de la puerta de vidrio.

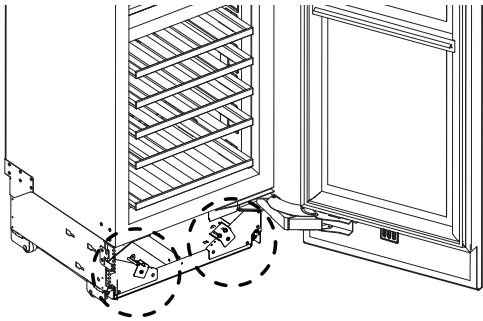


Instalación del Zócalo

PASO 1 AJUSTE DE LOS SOPORTES DE LA PLACA DE MONTAJE DEL ZÓCALO

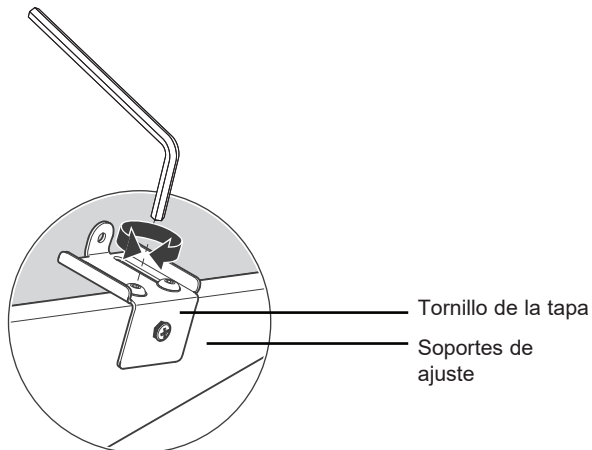
Herramientas Necesarias

- Llave hexagonal

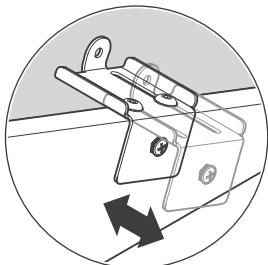


Estos 2 soportes determinan la posición de profundidad de la placa de montaje del zócalo y además determinan la profundidad del zócalo.

- Afloje los tornillos de la tapa de los soportes sobre ambos lados del pedestal con la llave hexagonal.
- Ajuste los soportes en la profundidad deseada, moviendo los mismos hacia adelante/ atrás.



Vuelva a ajustar las tapas de los tornillos una vez que esté satisfecho.



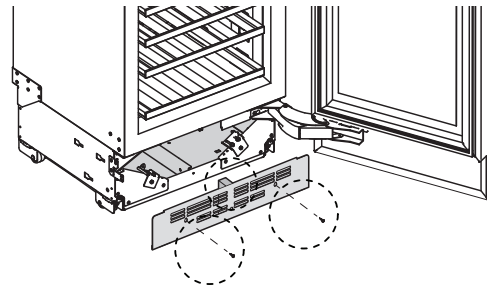
PASO 2 ADHESIÓN DE LA PLACA DE MONTAJE DEL ZÓCALO

Piezas Diversas

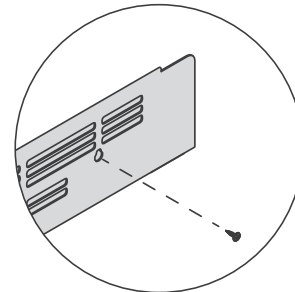
- Sellador de aire de zócalo (x1)

Herramientas Necesarias

- Destornillador de estrella



- Vuelva a adherir la placa de montaje del zócalo al pedestal usando los mismos tornillos que se dejaron a un costado de forma previa.

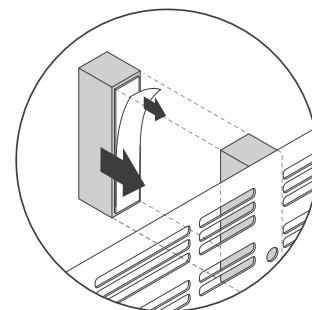


- Si la profundidad del zócalo es inferior a 3 5/8" (92mm), adhiera un sellador de aire del zócalo a la placa de montaje.

Consulte las "Opciones del Zócalo a Medida" en la sección de DIMENSIONES. La profundidad del zócalo se mide desde la parte trasera del panel de la puerta hasta la parte trasera del zócalo.

Pele la cinta adhesiva del sellador de aire del zócalo y adhiera el mismo del lado trasero de la placa de montaje.

Presione de manera firme para asegurarse de que la cinta se adhiera a la placa de montaje.



Instalación del Zócalo

ZÓCALO DE ACERO INOXIDABLE

Kit de Instalación del Zócalo

- Imanes (x 4)
- Tornillos con cabeza de hongo 8Gx16 (x 4)

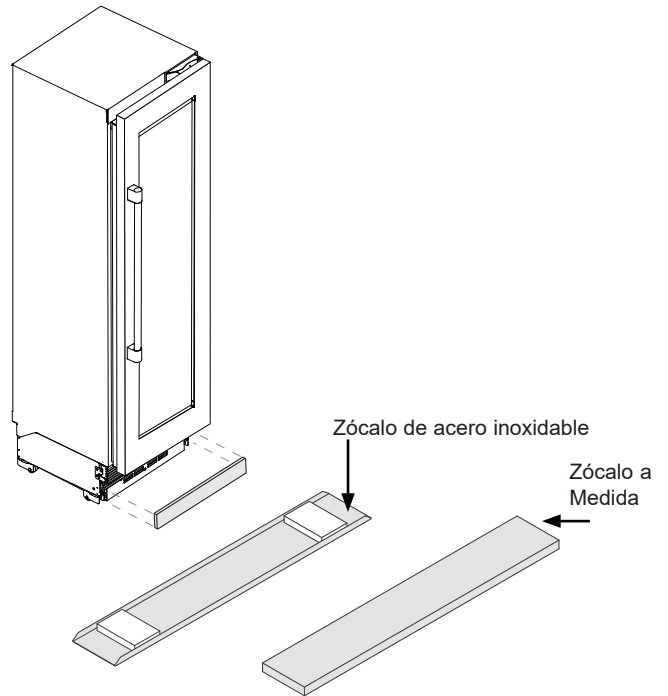
Herramientas Necesarias

- Destornillador eléctrico
- Lápiz

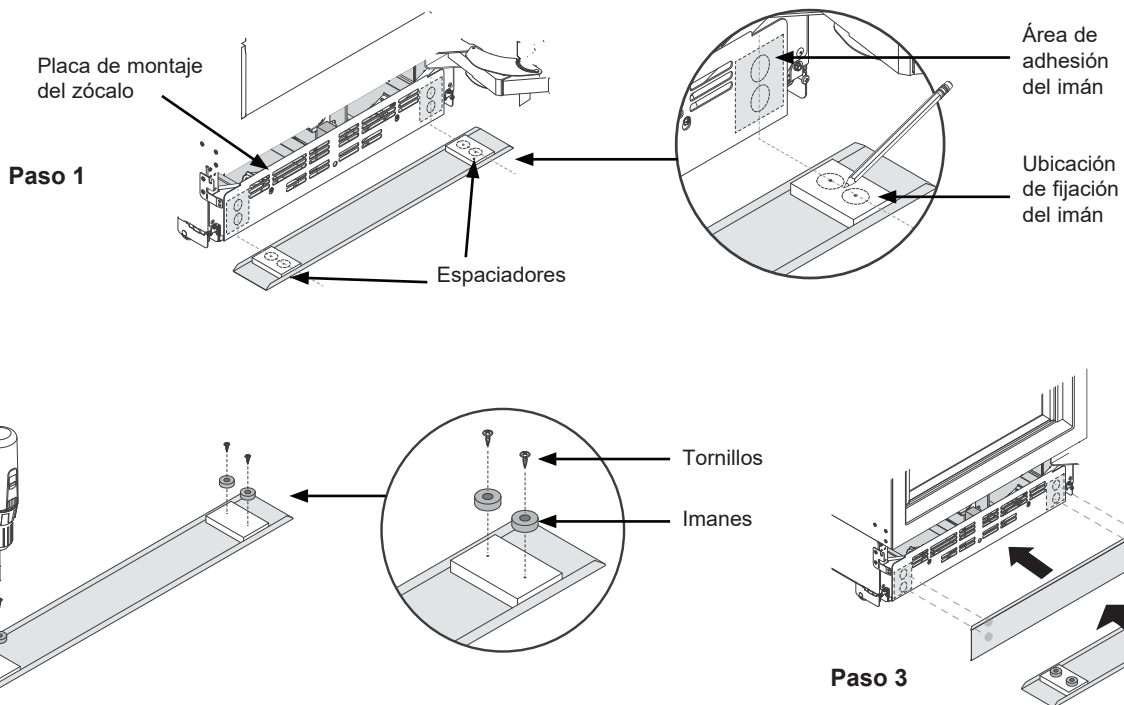
El Zócalo de Acero Inoxidable es parte del "Kit de la Puerta y Zócalo de Acero Inoxidable". El kit no es suministrado y se podrá adquirir de forma separada. Consulte la sección de ACCESORIOS / KITS.

ZÓCALO A MEDIDA

El zócalo a medida será suministrado por el cliente o por la compañía de gabinetes para el cliente. No se encuentra incluido en el producto.

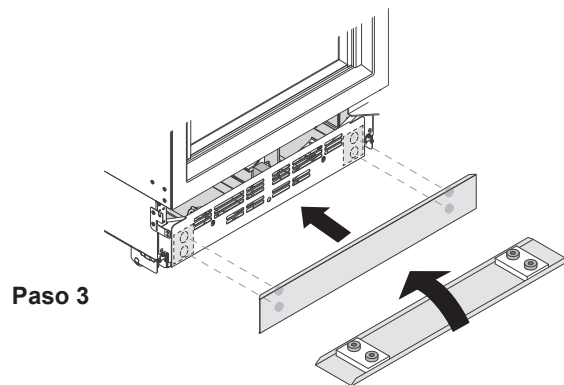
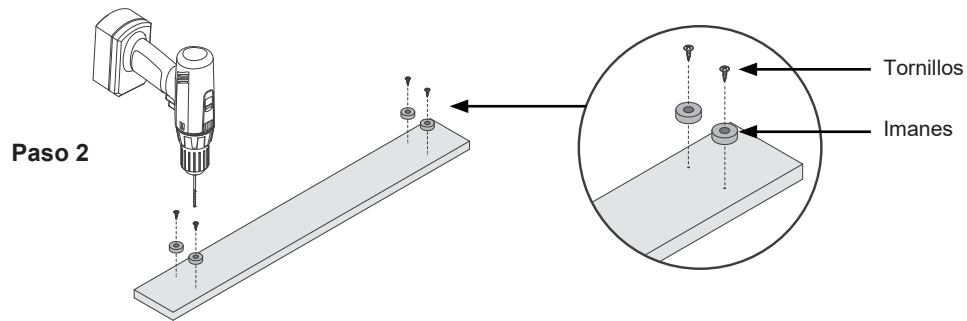
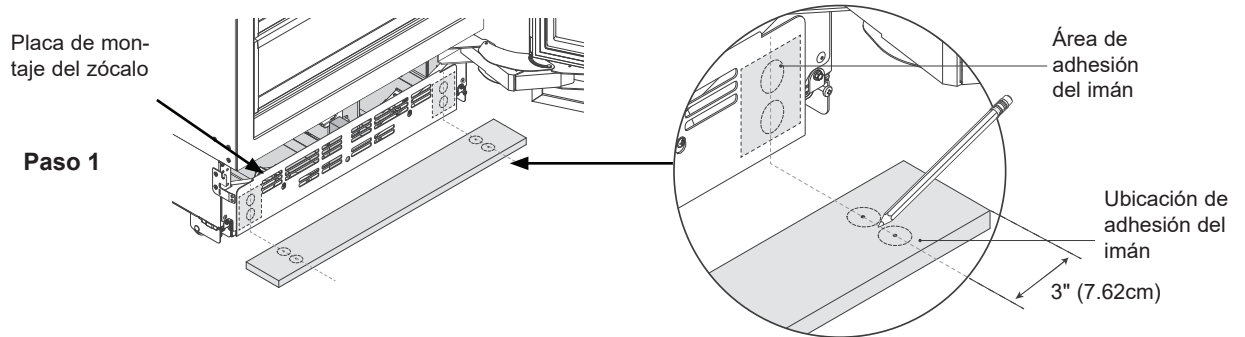


ZÓCALO DE ACERO INOXIDABLE



Instalación del Zócalo

ZÓCALO A MEDIDA

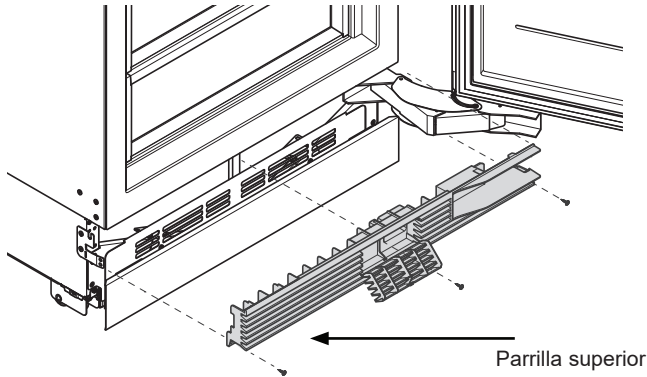


Instalación de las Parrillas

PASO 1 ADHESIÓN DE LA PARRILLA SUPERIOR

Herramientas Necesarias

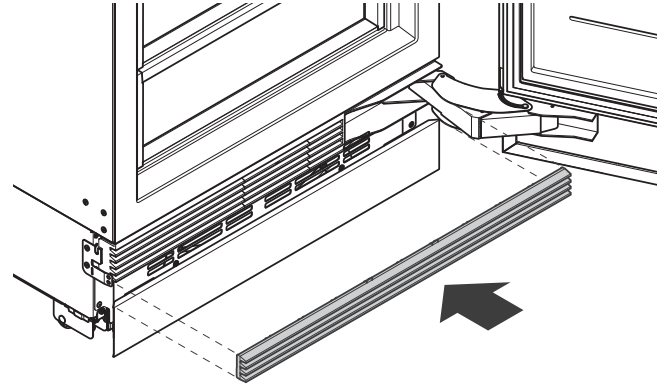
- Destornillador de estrella
- Asegure ambos extremos de la parrilla superior y detrás de la compuerta central con los tres tornillos n°8x16 retirados previamente.



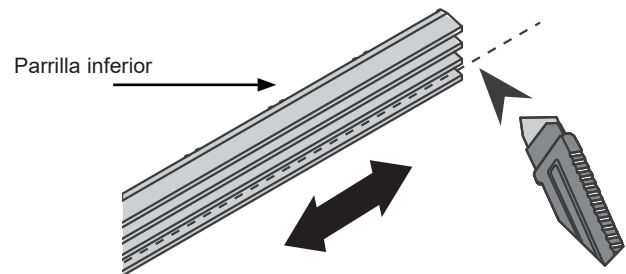
PASO 2 ADHESIÓN DE LA PARRILLA INFERIOR

Herramientas Necesarias

- Cuchillo multiuso
- Vuelva a adherir la parrilla inferior con el uso de los imanes.



- Para la altura del zócalo de 4 ½" a 5" (11.4 a 12.7cm), acorte la altura de la parrilla inferior cortando las líneas verticales.



Instalación del Divisor de Circulación de Aire

INSTALACIÓN DEL DIVISOR DE CIRCULACIÓN DE AIRE

Piezas Diversas

- Divisor de circulación de aire (x1)
- Tapa del divisor de circulación de aire (x1)

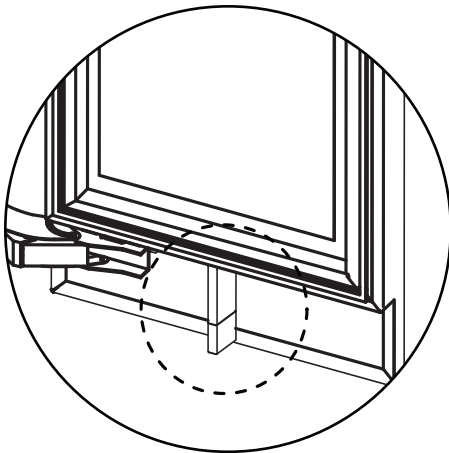
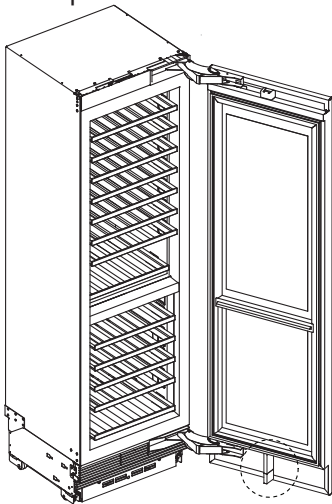
Herramientas Necesarias

- Destornillador de estrella
- Sierra de Mano para Metales

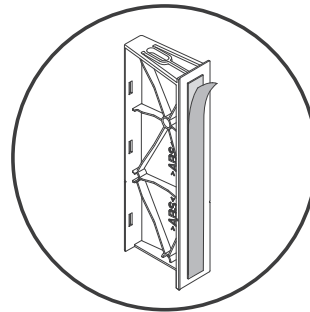
El divisor de circulación de aire bloquea el aire para que no pase de forma alternativa frente a las parrillas.

Si la altura del zócalo es superior a la estándar de 4", la altura del divisor de circulación de aire se deberá reducir de modo que no sobresalga por debajo de la parte inferior del panel de la puerta.

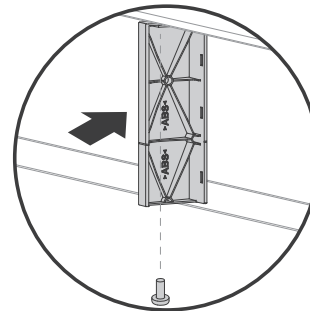
Use una sierra manual para metal para cortar el divisor de circulación de aire y la tapa para que tengan una altura adecuada. Corte la parte inferior del divisor. No corte la parte superior del divisor.



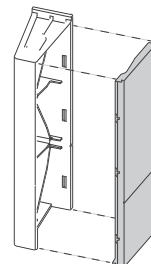
- Retire el soporte protector adhesivo del divisor de circulación.



- Presione el divisor de circulación de aire de manera firme contra el panel de la puerta.
Asegúrese de que la capa adhesiva del divisor tenga contacto con el panel de la puerta.
Asegure el divisor de circulación de aire sobre la parte inferior de la puerta de vidrio con un tornillo que se encuentra en una bolsa plástica pequeña en el kit de instalación.



- Adhiera la tapa del divisor de circulación de aire al divisor.

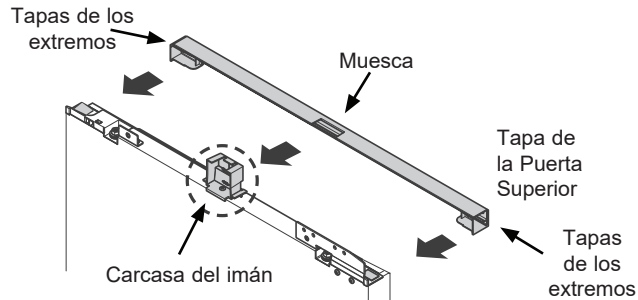


Instalación de las Tapas Superior y Laterales de la Puerta

PASO 1 REINSTALACIÓN DE LA TAPA DE LA PUERTA SUPERIOR

Asegúrese de que el imán se encuentre en su ubicación antes de instalar la tapa de la puerta superior.

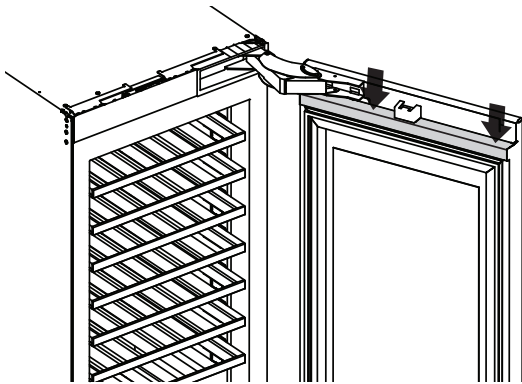
- Alinee la tapa de la puerta superior a la parte superior de la puerta.



Sujete la ranura central de la tapa dentro de la carcasa del imán y deslice la tapa hasta su posición.

- Presione hacia abajo ambos extremos de la tapa superior para adherir las tapas de los extremos en las tiras de bloqueo dobles.

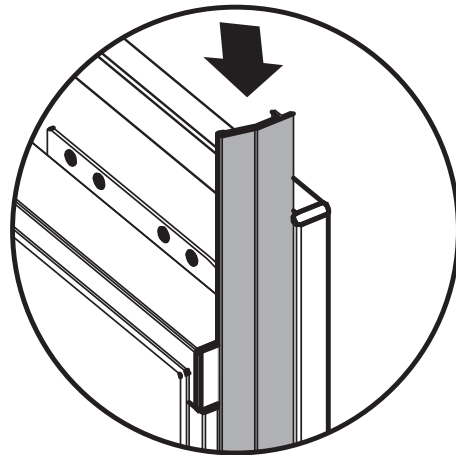
Asegúrese de que el imán permanezca en su lugar y no se dañe, ya que esto afectará el funcionamiento del electrodoméstico.



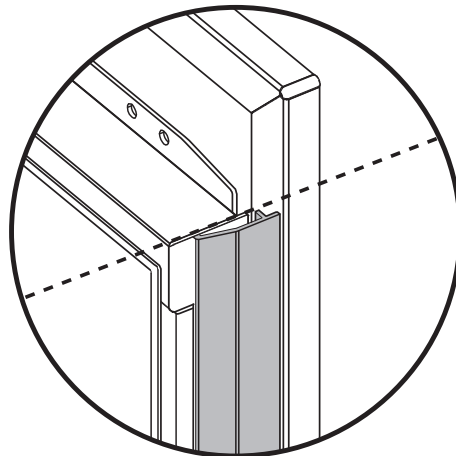
PASO 2 INSTALACIÓN DE LAS TAPAS LATERALES DEL PANEL DE LA PUERTA

Kit de Instalación de Marcos

- Tapa lateral del panel de la puerta (x2)
- Alinee la tapa lateral con el lado trasero del panel de la puerta. Deslice la tapa hacia abajo para sujetar la misma dentro de los soportes laterales del panel de la puerta.



- Asegúrese de que la parte superior de la tapa lateral esté alineada con la tapa de la puerta superior.

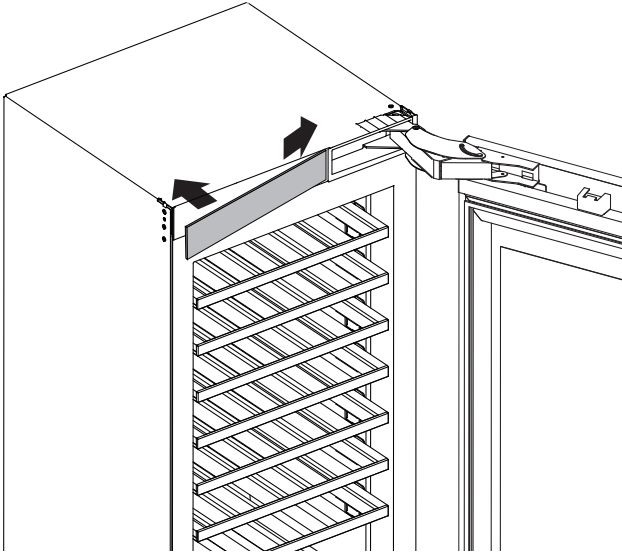


Instalación de la tapa del Marco Superior y del Brazo de la Bisagra

INSTALACIÓN DEL MARCO SUPERIOR

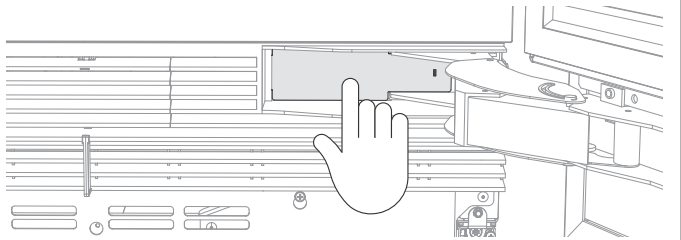
- Deslice un extremo del marco superior dentro del brazo de la bisagra del electrodoméstico.

Presione el otro extremo para adherir la tira de bloqueo doble en el lateral sin bisagra del electrodoméstico.



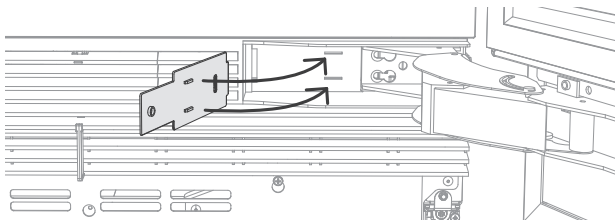
INSTALACIÓN DE LA TAPA DE LA MANGA DE LA BISAGRA INFERIOR (CONT.)

- Presione la tapa de la manga para asegurar los sujetadores de la tapa en la manga.

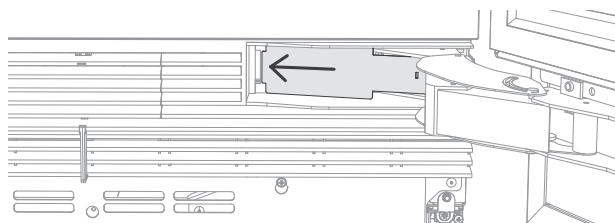


INSTALACIÓN DE LA TAPA DE LA MANGA DE LA BISAGRA INFERIOR

- Coloque la tapa de la manga de la bisagra dentro de la manga de la bisagra, haciendo coincidir los travesaños sobre la tapa de las ranuras de la manga de las bisagras.



- Deslice la tapa dentro del brazo.

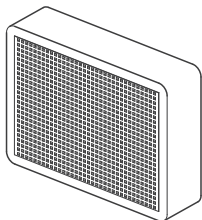


Instalación del Filtro de Olores

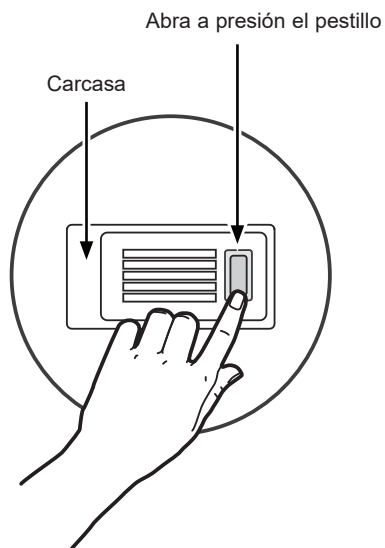
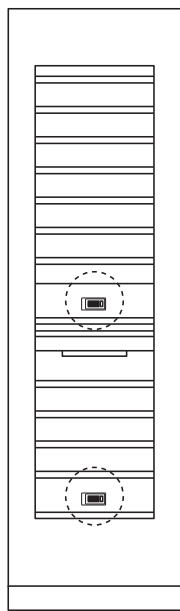
INSTALACIÓN DEL FILTRO DE OLORES

Piezas Diversas

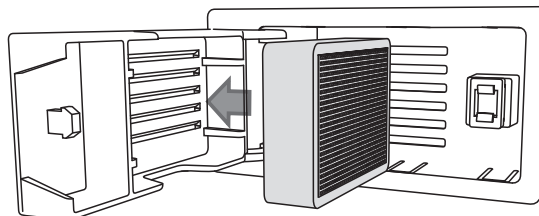
- Filtros de olores (x2)
- Retire el embalaje del filtro



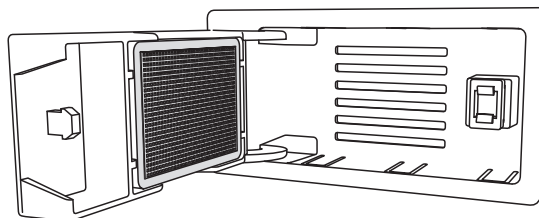
- Abra la tapa de la carcasa del filtro presionando el pestillo.



- Inserte el filtro de olores en la compuerta.



- Presione el filtro de forma suave dentro de la compuerta hasta que quede nivelado, y luego cierre la tapa hasta que quede bloqueado en el pestillo.



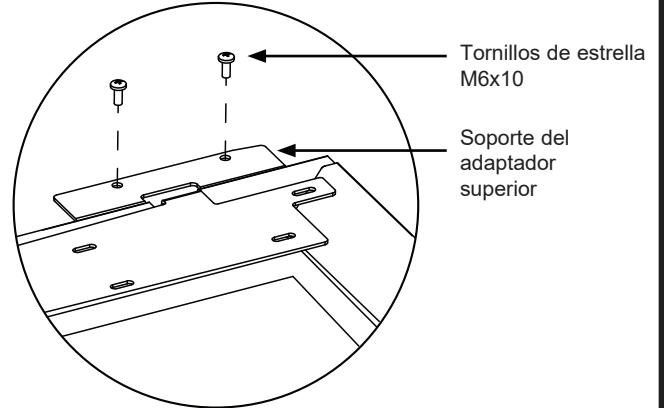
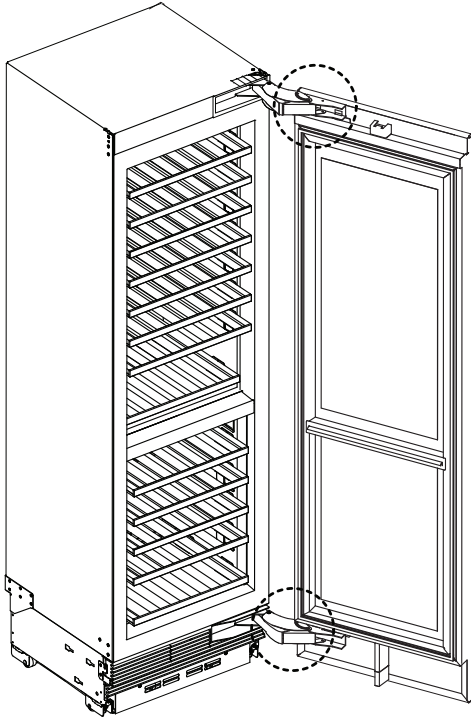
INVERSIÓN DEL GIRO DE PUERTA (OPCIONAL)

Inversión del Giro de puerta (Opcional)

PASO 1 DESHADESIÓN DE LA PUERTA DE VIDRIO

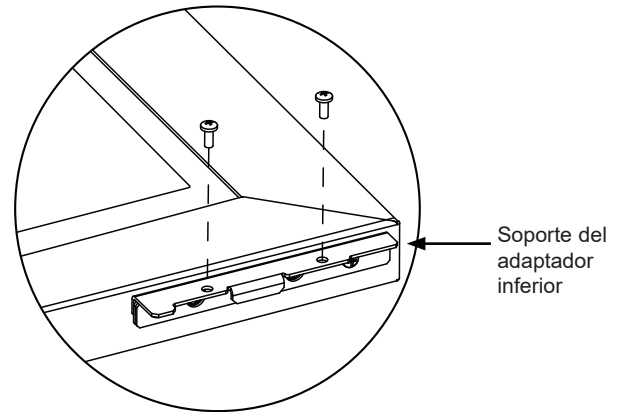
Usted tiene la opción de cambiar el lado de las bisagras de la puerta del electrodoméstico, pasando las bisagras del lado derecho al lado izquierdo y viceversa. Tenga cuidado de no dañar la puerta durante este proceso.

- Retire la puerta del electrodoméstico retirando los tornillos de estrella de la bisagra superior e inferior M6x10 (x4) del soporte del adaptador superior e inferior.



Tornillos de estrella M6x10

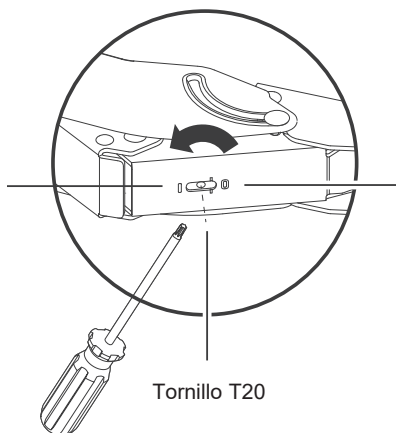
Soporte del adaptador superior



Soporte del adaptador inferior

- Libere el resorte tanto de la bisagra superior como de la inferior, girando el tornillo T20 de la bisagra en sentido antihorario hasta que se mueva a la posición "0".

Cierre la puerta y apoye el electrodoméstico sobre su parte trasera sobre la base.

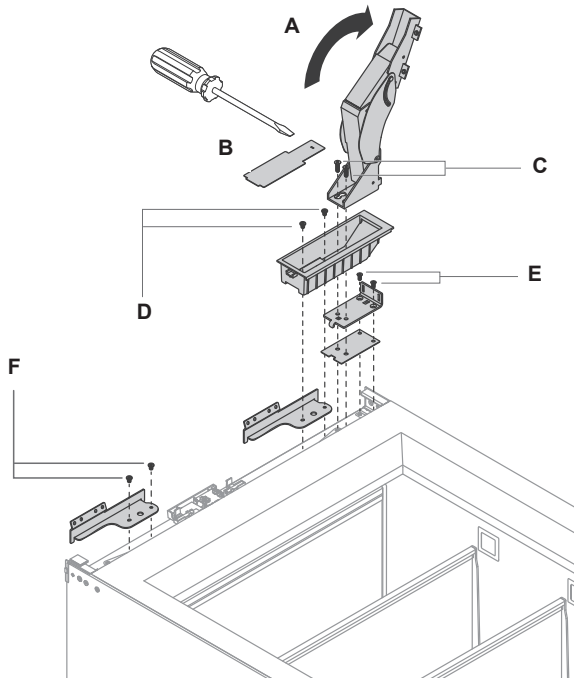


Tornillo T20

Inversión del Giro de puerta (Opcional)

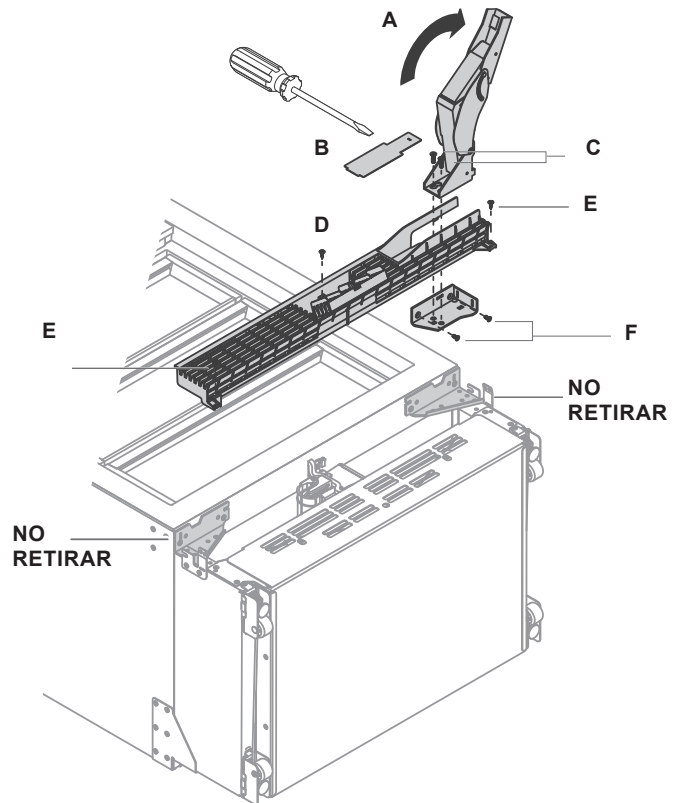
PASO 2 RETIRO DE LA BISAGRA SUPERIOR

- Gire la bisagra superior (A) hacia afuera y retire la tapa del brazo de la bisagra superior (B) usando un destornillador de cabeza plana en la ranura de la tapa.
- Desenrosque los tornillos de encastre M6x16 (C) para retirar la bisagra superior, y deje los mismos a un costado para su uso posterior.
- Desenrosque los tornillos de encastre M6x16 (D) del brazo de la bisagra para retirar el brazo de la bisagra y el soporte del hueco superior.
- Desenrosque los tornillos de encastre M5x12 (E) para retirar el soporte y el espaciador de la bisagra superior.
- Del lado sin bisagra, retire el soporte del hueco superior quitando los tornillos M6x16 (F).



PASO 3 RETIRO DE LA BISAGRA INFERIOR

- Gire la bisagra inferior (A) hacia afuera y retire la tapa del brazo de la bisagra superior (B) usando un destornillador de cabeza plana en la ranura.
- Retire la bisagra inferior quitando los tornillos de encastre M6x16 (x2) (C).
- Abra la compuerta central de la parrilla superior y retire el tornillo n°8x16 (D).
- Retire la parrilla superior quitando los tornillos n°8x16 (E) del lado izquierdo y derecho de la parrilla.
- Retire el soporte de la bisagra inferior quitando los tornillos de encastre M6x16 (x2) (F).



¡IMPORTANTE!

¡No retire los soportes de retención del pedestal-al-gabinete!

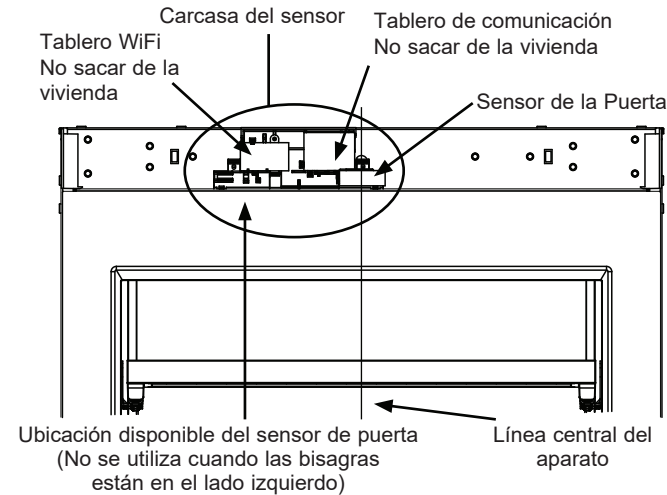
NOTA: No se requiere acostar la unidad. Las imágenes son para ilustrar de mejor manera el proceso de inversión.

Inversión del Giro de puerta (Opcional)

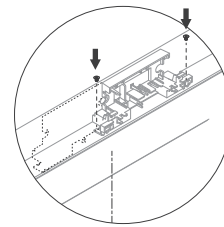
PASO 4 MUEVA LA CARCASA DEL SENSOR Y LA UBICACIÓN DEL SENSOR DE LA PUERTA

Cuando las bisagras de la puerta se muevan de un lado al otro, tanto la carcasa del sensor como el sensor de la puerta misma se deberán mover para mantener el sensor de la puerta alineado con el imán en la parte superior de la puerta.

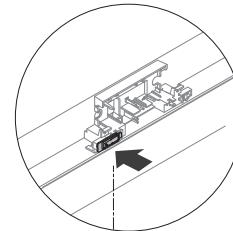
Hay 2 ubicaciones disponibles para el sensor de la puerta en la carcasa del sensor. La regla es colocar el sensor de la puerta en la ubicación más cercana a la línea central del electrodoméstico. Siempre controle que las luces se apaguen cuando se cierre la puerta, luego de mover las bisagras de un lado al otro.



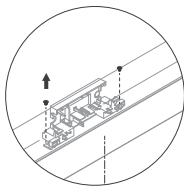
- Vuelva a instalar la carcasa del sensor usando los tornillos nº8x16 (x2)



- Sujete el sensor de la puerta en la esquina inferior izquierda de la carcasa del sensor.



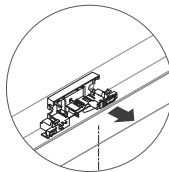
- Retire los tornillos nº8x16 (x2) que sostienen la carcasa del sensor en el electrodoméstico.



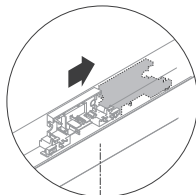
- Retire el sensor de la puerta de la carcasa del sensor.

No retire el tablero de comunicación ni el tablero WiFi. Mantenga los mismos en la carcasa del sensor.

Descalce el arnés del cableado de los sujetadores de la carcasa del sensor, de modo que el cableado no sea empujado cuando la carcasa del sensor sea movida en el siguiente paso.

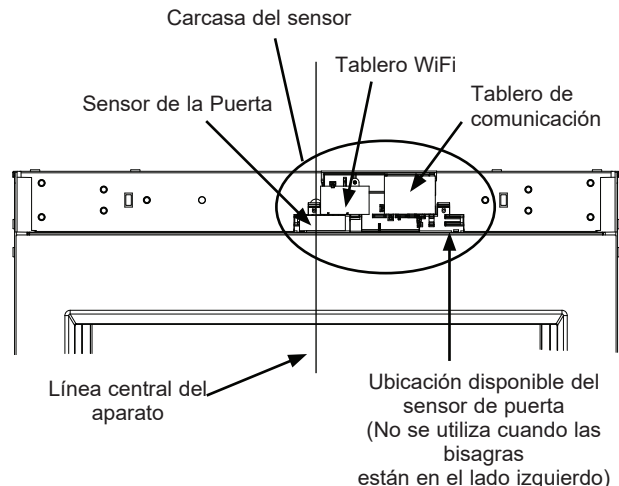


- Mueva la carcasa del sensor hacia la derecha. Hay otro conjunto de agujeros preperforados en el panel superior del electrodoméstico hacia la derecha. Alinee la carcasa del sensor con este conjunto de agujeros.



Esta ubicación del sensor de la puerta está ahora más cerca de la línea central del electrodoméstico.

- Realice un doble control de la carcasa del sensor y de la ubicación del sensor de la puerta, de acuerdo con la siguiente ilustración.



Inversión del Giro de puerta (Opcional)

Kit de Cambio de Bisagra del Lado Derecho al Lado Izquierdo



Brazo superior de bisagra del lado izquierdo (1)



Soporte superior del hueco del lado izquierdo (2)



Soporte adaptador superior del lado izquierdo (1)



Soporte de la bisagra inferior del lado izquierdo (1)



Soporte adaptador inferior del lado izquierdo (1)

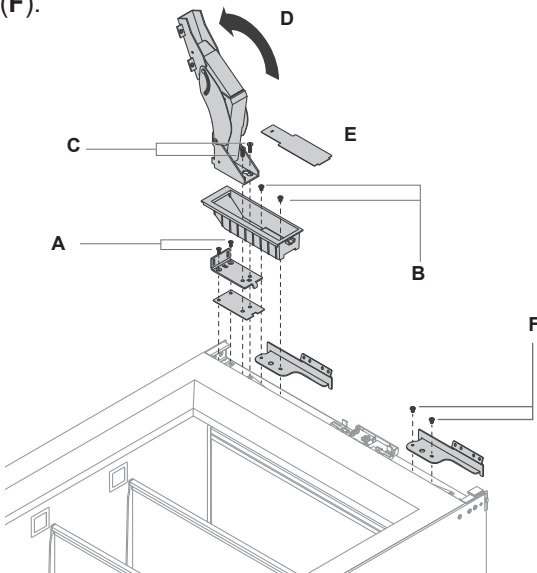


Soporte adaptador inferior del lado izquierdo (1)

PASO 5 READHERENCIA DE LA BISAGRA SUPERIOR DEL LADO IZQUIERDO

Nota: Voltee la bisagra inferior retirada de lado derecho y use la misma como la bisagra superior para el lado izquierdo.

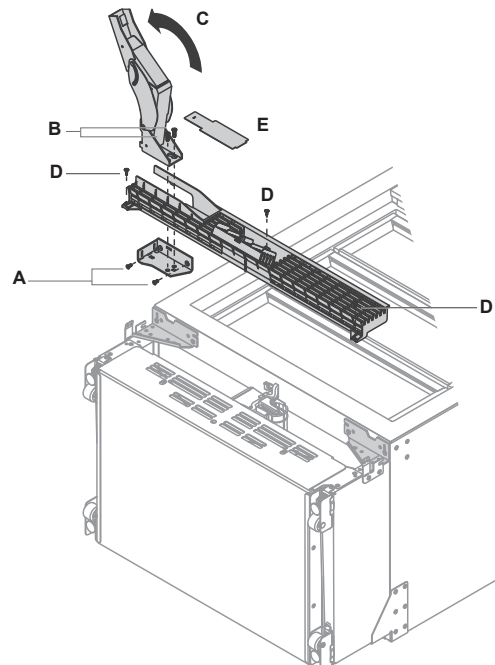
- Voltee el soporte de la bisagra superior. Vuelva a instalar el soporte de la bisagra superior con tornillos de encastre M5x12 (A) sobre el lado izquierdo del electrodoméstico.
- Instale el brazo de la bisagra superior del lado izquierdo y el soporte del hueco superior del lado izquierdo, usando dos (x2) tornillos de encastre M6x16 (B).
- Voltee la bisagra inferior retirada de lado derecho y use la misma como la bisagra superior para el lado izquierdo. Instale la bisagra en el brazo de la bisagra superior, retirando los tornillos de encastre M6x16 (x2) (C).
- Abra la bisagra (D) y sujete la tapa del brazo de la bisagra superior (E) en el brazo de la bisagra superior.
- Instale el segundo soporte del hueco superior del lado izquierdo con los tornillos de encastre M6x16 (x2) (F).



PASO 6 READHERENCIA DE LA BISAGRA INFERIOR DEL LADO IZQUIERDO

Nota: Voltee la bisagra superior retirada de lado derecho y use la misma como la bisagra inferior para el lado izquierdo.

- Instale el soporte de la bisagra inferior del lado izquierdo del electrodoméstico con los tornillos M6x16 (x2) (A). Asegúrese de que la lengüeta de la parte superior del soporte se inserte en la ranura del soporte frontal del pedestal.
- Voltee la bisagra superior retirada de lado derecho y use la misma como la bisagra inferior para el lado izquierdo. Inserte las lengüetas sobre la bisagra en el soporte de la bisagra inferior. Gire la bisagra en su posición y ajuste la misma con los tornillos de encastre M5x12 (x2) (B).
- Abra la bisagra (C), e instale la parrilla superior del lado izquierdo. Ajuste la parrilla sobre su posición con los tornillos nº8x16 (x3) (D). Un tornillo sobre la izquierda y uno sobre la derecha de la parrilla y uno detrás de la compuerta central.
- Sujete la tapa del brazo de la bisagra inferior sobre el brazo de la bisagra inferior (E).

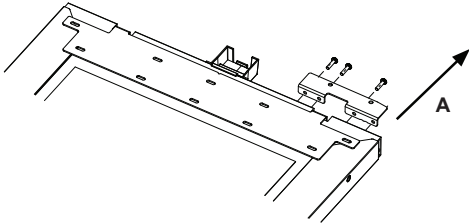


NOTA: No se requiere acostar la unidad. Las imágenes son para ilustrar de mejor manera el proceso de inversión.

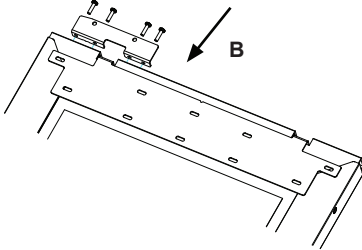
Inversión del Giro de puerta (Opcional)

PASO 7 CAMBIO DEL SOPORTE DEL ADAPTADOR SUPERIOR EN LA PARTE SUPERIOR DE LA PUERTA

- Retire los tornillos M5x10 (x4) para quitar el soporte del adaptador superior de la parte superior de la puerta (A).

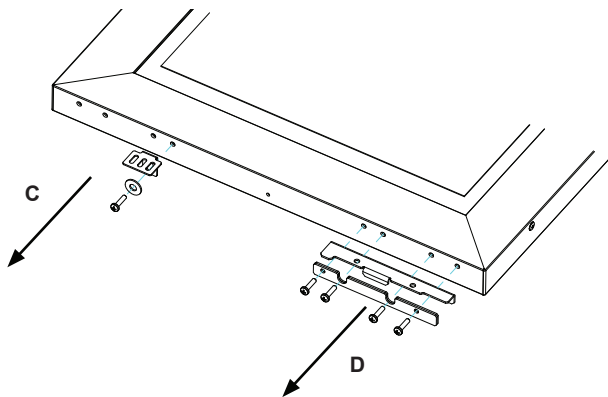


- Instale el nuevo soporte del adaptador superior para lado izquierdo sobre el lado izquierdo con los tornillos M5x10 (x4) (B).



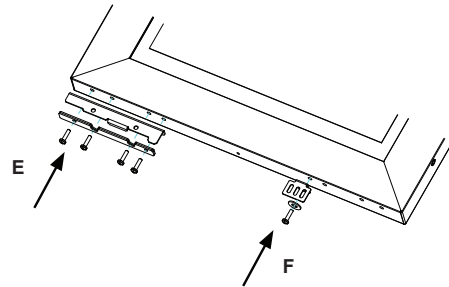
PASO 8 CAMBIO DEL SOPORTE DEL ADAPTADOR INFERIOR EN LA PARTE INFERIOR DE LA PUERTA

- Retire el soporte de bloqueo del panel de la puerta y la arandela de la parte inferior de la puerta, retirando el tornillo M5x20 (x1) (C).
- Retire el soporte del adaptador inferior y los espaciadores de la parte inferior de la puerta, retirando los tornillos M5x20 (x4) (D).



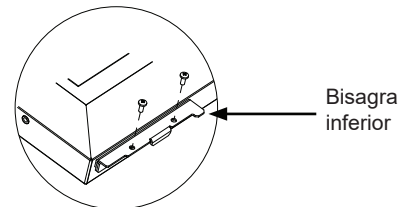
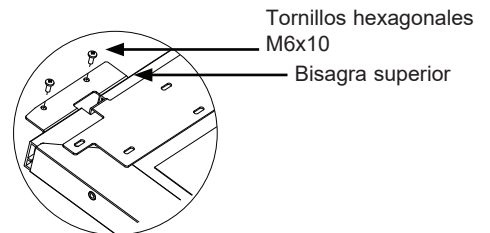
PASO 8 CAMBIO DEL SOPORTE DEL ADAPTADOR INFERIOR EN LA PARTE INFERIOR DE LA PUERTA (CONT.)

- Instale el nuevo soporte del adaptador inferior del lado izquierdo y los espaciadores existentes sobre el otro lado de la puerta con los tornillos M5x20 (x4) (E).
- Instale el soporte de bloqueo del panel de la puerta existente y la arandela sobre el otro lado de la puerta con el tornillo M5x20 (x1) (F).

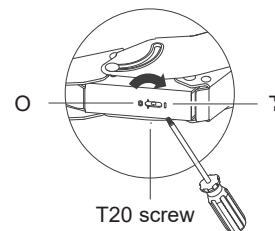


PASO 9 REINSTALACIÓN DE LA PUERTA

- Asegure la puerta sobre la bisagra superior y sobre la bisagra inferior con los tornillos hexagonales M6x10 (x4).



- Active el resorte tanto de la bisagra superior como de la inferior, girando el tornillo T20 de la bisagra en sentido horario hasta que se mueva a la posición "I".



- Vuelva a colocar el electrodoméstico en la posición erguida y reinstale todas las tapas y marcos.

Notas

Notas

NOTA: Al realizar las instalaciones descritas en este libro, se deberán usar anteojos o gafas de seguridad.

NOTA: GE Appliances se esfuerza de forma constante para mejorar sus productos. Por lo tanto, los materiales, el aspecto y las especificaciones están sujetos a cambios sin aviso previo.

