



## FEATURES

- 1 CENTRIS® FINGERTIP TILT**  
Provides smooth fingertip tilt in all directions using the screen's center of gravity. Screen angle stays set until you decide to readjust.
- 2 POST-INSTALLATION LEVELING**  
No tools needed. Ultra fast and easy screen positioning with lock-down capability.
- 3 PORTRAIT/LANDSCAPE CAPABILITY**  
Mounts in either portrait or landscape position.
- 4 CABLE MANAGEMENT**  
Easily route cables through 1-1/2" NPT extension column.



*(Extension column and ceiling plate are required and must be ordered separately to fit your specific installation requirements.)*

## SPECIFICATIONS

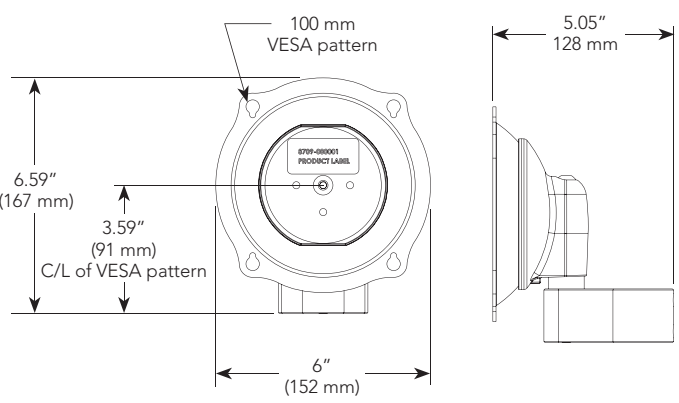
|                 |                |
|-----------------|----------------|
| Roll            | ±2°            |
| Tilt            | ±15°           |
| Yaw             | 360°           |
| Color           | Black, Silver  |
| Weight Capacity | 75 lbs (34 kg) |





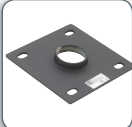
## WHAT YOU NEED TO KNOW

- ORDERING OPTIONS**  
Available in custom and universal.
- JHSV = VESA 100 x 100 mm, 200 x 100 mm, 200 x 200 mm and 400 x 200 mm patterns
  - JHSxxxx = Custom (see MountFinder™ Pro at [www.chiefmfg.com](http://www.chiefmfg.com))
  - JHSU = VESA patterns up to 400 x 400 mm

## TECHNICAL DRAWINGS



## RECOMMENDED ACCESSORIES

-  **CMA STRUCTURAL ADAPTERS**
-  **CMS EXTENSION COLUMNS**
-  **CMA CEILING PLATES**

For a complete list of flat panel mount accessories see page 83.