

Network Video Recorder

NVR128



Features

- Supports Ultra 265/H.265/H.264 video formats
- 128/256-channel input
- Third-party IP cameras supported with ONVIF conformance: Profile S, Profile G, Profile C, Profile Q, Profile A, Profile T
- Supports 2-ch HDMI, 2-ch VGA, HDMI1 at up to 8K(7680x4320) resolution
- HDMI1/ VGA1 and HDMI2/VGA2 independent outputs provided
- Up to 32 Megapixels resolution recording
- Supports HDD hot swap with RAID 0, 1, 5, 6, 10, 50, 60 storage scheme configurable
- Supports 12V power output
- ANR technology to enhance the storage reliability when the network is disconnected
- Supports cloud upgrade
- Supports N+1 Hot spare

Specifications

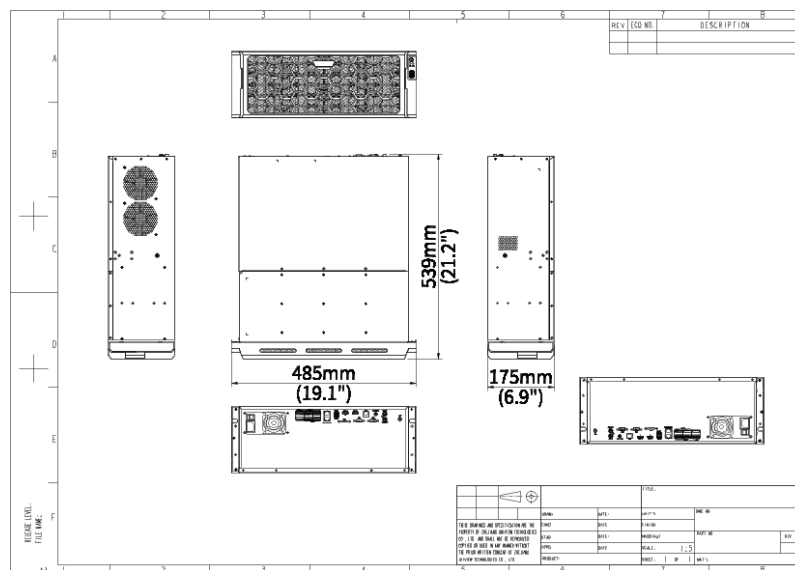
Decoding	Description
Decoding Format	Ultra 265, H.265, H.264
Decoding Capability	2 x 32MP@30, 4 x 16MP@30, 5 x 12MP@30, 8 x 4K@30, 12 x 5MP@30, 20 x 3MP@30, 32 x 1080P@30, 64 x 720P@30, 128 x D1

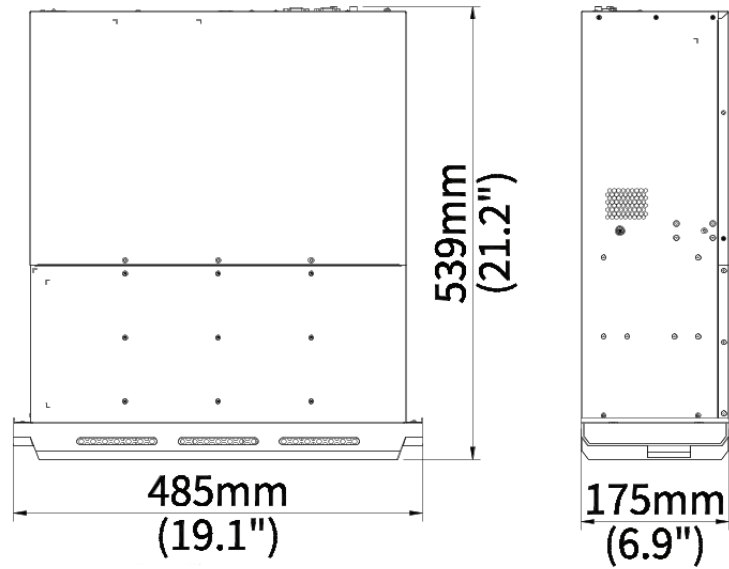
Decoding Capability Description	*. The resolution of each channel cannot exceed 8640 pixels in length or width.; *. For VGA/HDMI independent output, the VGA live video is output by default. To output the highest resolution video from the HDMI port, please clear the VGA video on the preview page.
Audio Compression	G.711A, G.711U
Network	Description
Incoming Bandwidth	640Mbps
Outgoing Bandwidth	640Mbps
Protocols	TCP/IP; P2P; UPnP; NTP; DHCP; PPPoE; HTTP; HTTPS; DNS; DDNS; SNMP; SMTP; NFS; RTSP; 802.1x; IPv6; IPv4
Browser (Plugin)	Windows: IE (IE10/ 11), Firefox (version 52.0 and above), Chrome (version 45 and above), Edge (version 79 and above)
Video/Audio Input	Description
IP Video Input	NVR524-128E:128-ch NVR524-256E:256-ch
RCA Audio Input	1-ch
Video/Audio Output	Description
Video Output	Supports 2-ch HDMI, 2-ch VGA, HDMI1 and VGA1 simultaneous output, HDMI2 and VGA2 simultaneous output, HDMI1/VGA1 and HDMI2/VGA2 independent output
HDMI Output	HDMI1: 8K(7680x4320)/30Hz, 4K(3840x2160)/60Hz, 1920x1080/60Hz, 1600x1200/60Hz, 1280x1024/60Hz, 1280x720/60Hz, 1024x768/60Hz; HDMI2: 4K(3840x2160)/60Hz, 1920x1080/60Hz, 1600x1200/60Hz, 1280x1024/60Hz, 1280x720/60Hz, 1024x768/60Hz
VGA Output	1920x1080/60Hz, 1600x1200/60Hz, 1280x1024/60Hz, 1280x720/60Hz, 1024x768/60Hz
RCA Audio Output	2-ch
Liveview Display	1/4/6/8/9/16/25/36/64
Corridor Mode Screen	3/4/5/7/9/10/12/16/32
Two-way Audio	Description
Two-way Audio	1-ch, RCA (Using the audio input and output)
Snapshot	Description
FTP/Schedule/Event Snapshot	16-ch snapshot, up to 4K resolution
Recording	Description
Recording Resolution	32MP/16MP/12MP/8MP/6MP/5MP/3MP/1080P/960P/720P/D1/2CIF/CIF
Synchronous Playback in Local	16-ch

Smart	Description
VCA Detection by IPC	Face Detection; face detection; SIP (Intrusion Detection, Cross Line Detection, Enter Area, Leave Area); Ultra Motion Detection (UMD); Temperature Detection (Fire Detection, Smoking Detection, Temperature Measurement, Smoke and Fire Detection); People Counting (People Flow Counting, Crowd Density Monitoring); Video Metadata; Traffic Monitoring
VCA Search	Motor Vehicle Search; Non-Motor Vehicle Search; Human Body Search; General Search; People Counting Report; Heat Map
Smart by IPC	All channels (up to 32 images/s in total) Face Detection, face detection, Vehicle Detection, Temperature Detection, SIP, UMD, Video Metadata, Traffic Monitoring
Alarm	Description
General Alarm	Motion Detection; Tampering; Human Body Detection; Video Loss; Alarm Input; Audio Detection; People Present Alarm
Alert Alarm	IP Conflict; Network Disconnected; Disk Offline; Disk Abnormal; Illegal Access; Hard Disk Space Low; Hard Disk Full; Recording/Snapshot Abnormal; Array Damaged; Array Degraded
GUI Language	Description
GUI Language	38 languages: Simplified Chinese, Traditional Chinese, English, Vietnamese, Thai, Turkish, Spanish (Latin America), Portuguese (Brazil), Spanish, Portuguese, French, German, Italian, Dutch, Polish, Czech, Hungarian, Slovak, Russian, Hebrew, Arabic, Ukrainian, Estonian, Bulgarian, Greek, Romanian, Danish, Swedish, Norwegian, Finnish, Croatian, Slovenia, Serbia, Korean, Japanese, Latvian, Lithuanian, Persian
Hard Disk	Description
SATA	24 SATA Interfaces
Capacity	Up to 16TB for each HDD (The maximum HDD capacity varies with environment temperature)
Disk Array Type	RAID 0, 1, 5, 6, 10, 50, 60
Hot Swap	Supported
External Interface	Description
Network Interface	2 RJ45 10M/100M/1000M self-adaptive Ethernet Interface
USB	Front panel: 2 x USB2.0; Rear panel: 2 x USB3.0
RS485	1
RS232	1
Alarm In	16-ch
Alarm Out	10-ch

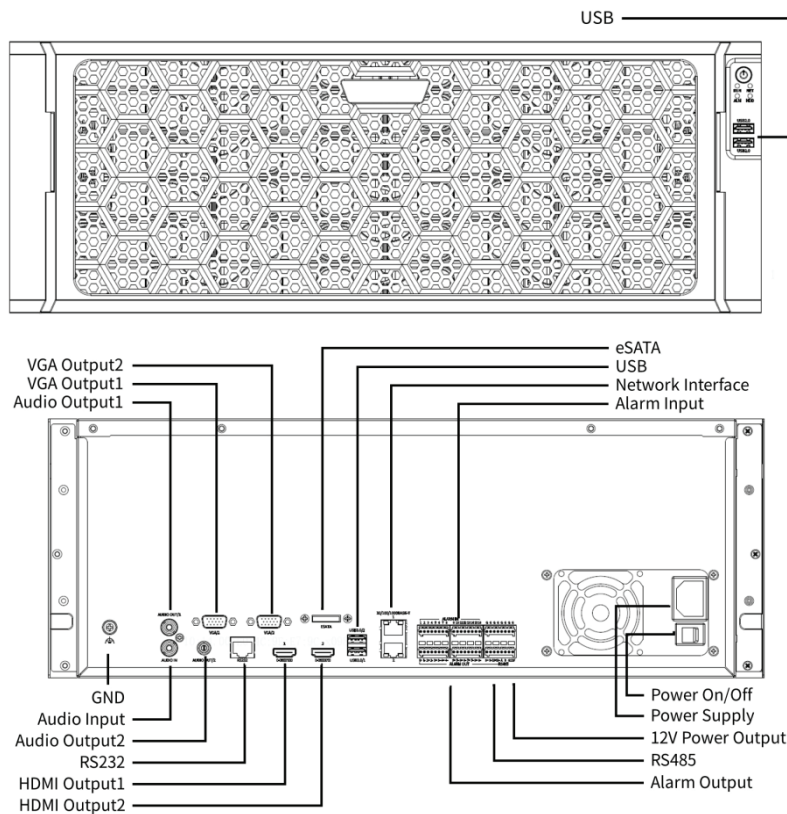
eSATA	1
Power Output	12V
Power Supply	AC 100 ~ 240 V
Power Switch	Supported
Working Environment	Description
Working Temperature	-10 °C ~ 55 °C (14 °F ~ 131 °F)
Working Humidity	≤ 90% RH (non-condensing)
Power Consumption (without HD D)	≤ 50W
Dimensions	Description
Weight (without HDD)	≤ 10Kg (22.05lb)
Dimensions	485mm × 539mm × 175mm (19.1"×21.2"×6.9")
Certification	Description
Certification	CE; FCC; RoHS; WEEE
CE	EN 55032, EN 61000-3-3, EN IEC 61000-3-2, EN 55035
FCC	Part15 Subpart B

Dimensions





Rear Panel





The United States government passed the John S. McCain National Defense Authorization Act for the 2019 fiscal year on August 13, 2018 (NDAA 2019). This act specifies the budget, expenditures and policies of the United States Department of Defense. This act prohibits the purchase and use of specific electronic security products manufactured and supplied by specific companies based in China.

We are aware of the NDAA and abide by the stipulations set forth in this NDAA regulation. Illumivue is always committed to not only providing products of the highest standards, but also making sure the products are compliant with project requirements contractually binding.

Our goal is to continue to provide only the best equipment we can. Safety and security is our top priority and we are doing everything necessary to ensure that we maintain our status as a trusted brand. We persistently pay close attention to product quality and compliance, and we sincerely appreciate all partners' support and patience.

Warranty

All Illumivue products come with a 3-year limited liability warranty. This warranty includes parts and labor repairs on all components found to be defective in material or workmanship under normal conditions of use. This warranty shall not apply to products which have been abused, modified, or disassembled. Warranty items only by authorized resellers. Warranty not eligible for products purchased through non-authorized online sellers.

A product that fails under conditions other than those covered will be repaired at the current price of parts and labor in effect at the time of repair. Such repairs are warranted for 90 days from the date of reshipment to the buyer. If the unit is delivered by mail, customers agree to insure the unit or assume the risk of loss or damage in transit. Under no circumstances will a unit be accepted without a return authorization number. The warranty is in lieu of all other warranties expressed or implied, including without limitations, any other implied warranty or fitness or merchantability for any particular purpose, all of which are expressly disclaimed. Proof of sale may be required in order to claim warranty.