

LSE

LED Direct/Indirect Linear

Product Description

The Elara Architectural LED Direct/Indirect Linear is an edge lit luminaire designed for individual units or continuous runs in commercial indoor applications. The elegant fixture achieves a polished, modern appearance with its silver powder-coated, 20-gauge aluminum housing and fully-welded seams. White or custom powder coat options are also available. Elara's acrylic light guide with laser etched patterns enables a variety of light distributions to suit your application, and a 50/50 distribution comes standard. The fixture is easily suspended using four mount points for y-cable, and includes two y-cables with canopy covers. Elara is available in 4-foot or 8-foot lengths in either integral or remote driver configurations.

Construction

- Housing formed 20ga aluminum
- Fully welded seams
- Available in 4' and 8' lengths
- Designed for individual units or continuous runs

Optical System

- Edgelit LED design
- Acrylic light guide with laser etched patterns for a variety of distributions
- 50% direct 50% indirect distribution standard
- 80/20, 20/80 and 100 down distributions available

Electrical

- Available in Driver Integrated and Remote Power System configurations
- Remote Power fixture provided with 2 connector ports
- Efficiency greater than 105 lumens per watt
- Universal Input of 120-277V, designed for through wiring
- Driver delivers full range dimming via 0-10VDC
- Operating Temperature of 32° to 122°F (0°C to 50°C)
- 10kA Surge suppression standard on integral version
- For installations where higher power surge may be possible, NICOR recommends installing additional surge protection at the electrical distribution panels

Mounting

- Integral feature for varying mounting styles
- Cable suspension kit available
- Pendant mount kit available
- Wall mount kit available
- Strut mount kit available
- Continuous run installation kit available

Finish

- Silver powder coat finish standard
- White or custom powder coat options available

Lumen Maintenance

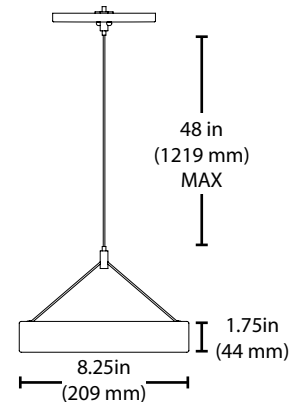
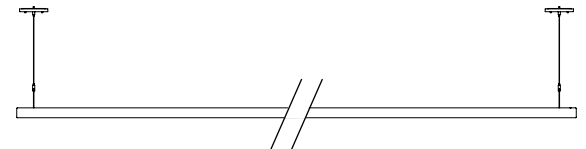
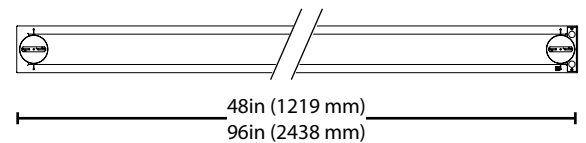
- TM-21 Calculated L70(12K) hours = 113,000
- TM-21 Calculated L90(12K) hours = 38,000

Project

Catalog

Type

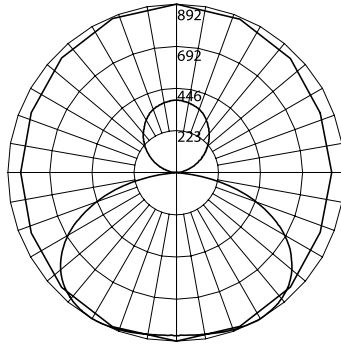
Date



Photometric Data

LSE 20/80 3500K

Input Voltage (VAC)	120-277
System Level Power (W)	40.7
Delivered Lumens (Lm)	4413
System Efficacy (Lm/W)	108.5
Correlated Color Temp (K)	3406
Color Rendering Index (CRI)	85
Beam Angle 0-180°	133.0°
Beam Angle 90-270°	141.4°
Spacing Criteria 0°	1.42
Spacing Criteria 90°	1.56



Intensity Summary (Candle Power)

Angle	0° Along	90° Across
0	862	862
15	857	877
30	817	892
45	727	842
60	547	663
75	263	319
90	3	2
105	81	62
120	174	155
135	260	244
150	238	320
165	371	367
180	384	384

Cone of Light Tabulation

Mounted height (Feet)	Footcandles Beam Center	Beam Width
4	53.8	5.9
6	23.9	8.9
8	13.5	11.9
10	8.6	14.9
12	6.0	17.8
14	4.4	20.8
16	3.4	23.8

Length Multiplier

8 Foot	1.98
--------	------

Remote Driver Multiplier

LSE-1-***-R	0.989
-------------	-------

CCT Data Multiplier

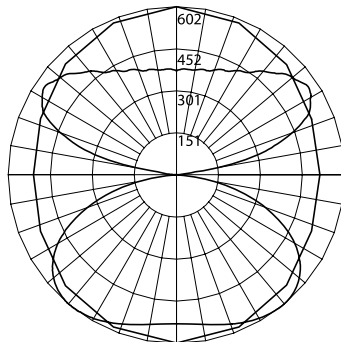
LSE-1-4-2-U-40	1.020
LSE-1-4-2-U-50	1.041

Zonal Lumen Summary

Zone	Lumens	% of Luminaire
0-30	727	16.5%
0-40	1254	24.4%
0-60	2466	55.9%
0-90	3330	75.5%
90-180	1083	24.5%
0-180	4413	100.0%

LSE 50/50 3500K

Input Voltage (VAC)	120-277
System Level Power (W)	40.7
Delivered Lumens (Lm)	4413
System Efficacy (Lm/W)	108.5
Correlated Color Temp (K)	3406
Color Rendering Index (CRI)	85
Beam Angle 0-180°	139.5°
Beam Angle 90-270°	148.2°
Spacing Criteria 0°	1.50
Spacing Criteria 90°	1.70



Intensity Summary (Candle Power)

Angle	0° Along	90° Across
0	532	532
15	535	555
30	528	593
45	491	595
60	385	491
75	190	243
90	4	3
105	229	331
120	377	556
135	400	514
150	378	432
165	375	390
180	372	372

Cone of Light Tabulation

Mounted height (Feet)	Footcandles Beam Center	Beam Width
4	33.3	6.4
6	14.8	9.6
8	8.3	12.8
10	5.3	16.0
12	3.7	19.2
14	2.7	22.4
16	2.1	25.6

Length Multiplier

8 Foot	1.98
--------	------

Remote Driver Multiplier

LSE-1-***-R	0.989
-------------	-------

CCT Data Multiplier

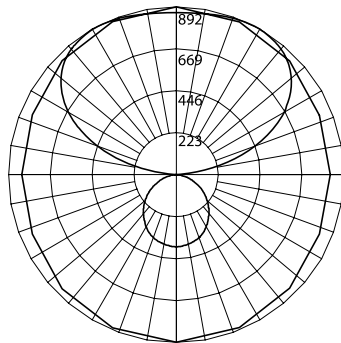
LSE-1-4-2-U-40	1.020
LSE-1-4-2-U-50	1.041

Zonal Lumen Summary

Zone	Lumens	% of Luminaire
0-30	444	10.5%
0-40	781	18.5%
0-60	1595	37.7%
0-90	2210	52.3%
90-180	2017	47.7%
0-180	4413	100.0%

LSE 80/20 3500K

Input Voltage (VAC)	120-277
System Level Power (W)	40.7
Delivered Lumens (Lm)	4413
System Efficacy (Lm/W)	108.5
Correlated Color Temp (K)	3406
Color Rendering Index (CRI)	85
Beam Angle 0-180°	133.0°
Beam Angle 90-270°	141.4°
Spacing Criteria 0°	1.42
Spacing Criteria 90°	1.56



Intensity Summary (Candle Power)

Angle	0° Along	90° Across
0	384	384
15	371	367
30	328	320
45	260	244
60	174	155
75	81	62
90	3	2
105	263	319
120	263	319
135	727	842
150	817	892
165	857	877
180	862	862

Cone of Light Tabulation

Mounted height (Feet)	Footcandles Beam Center	Beam Width
4	53.8	5.9
6	23.9	8.9
8	13.5	11.9
10	8.6	14.9
12	6.0	17.8
14	4.4	20.8
16	3.4	23.8

Length Multiplier

8 Foot	1.98
--------	------

Remote Driver Multiplier

LSE-1-***-R	0.989
-------------	-------

CCT Data Multiplier

LSE-1-4-2-U-35	0.97
LSE-1-4-2-U-50	1.30

Zonal Lumen Summary

Zone	Lumens	% of Luminaire
0-30	225	5.1%
0-40	402	9.1%
0-60	786	17.8%
0-90	1081	24.5%
90-180	3332	75.5%
0-180	4413	100.0%

Fixture tested per LM-79-08. Photometric data is of the performance of a representative fixture. Results may vary in the field.

Integral Performance Data			
Model Number	Lumens	Watts	Lumens/Watt
LSE-1-4-2-U-35	4413	40.7	108.5
LSE-1-4-2-U-40	4501	40.7	110.7
LSE-1-4-2-U-50	4594	40.7	113.0
LSE-1-8-2-U-35	8738	81.3	107.5
LSE-1-8-2-U-40	8911	81.3	109.6
LSE-1-8-2-U-50	9096	81.3	111.9
LSE-1-4-5-U-35	4413	40.7	108.5
LSE-1-4-5-U-40	4501	40.7	110.7
LSE-1-4-5-U-50	4594	40.7	113.0
LSE-1-8-5-U-35	8738	81.3	107.5
LSE-1-8-5-U-40	8911	81.3	109.6
LSE-1-8-5-U-50	9096	81.3	111.9
LSE-1-4-8-U-35	4413	40.7	108.5
LSE-1-4-8-U-40	4501	40.7	110.7
LSE-1-4-8-U-50	4594	40.7	113.0
LSE-1-8-8-U-35	8738	81.3	107.5
LSE-1-8-8-U-40	8911	81.3	109.6
LSE-1-8-8-U-50	9096	81.3	111.9
LSE-1-4-D-U-35	4413	40.7	108.5
LSE-1-4-D-U-40	4501	40.7	110.7
LSE-1-4-D-U-50	4594	40.7	113.0
LSE-1-8-D-U-35	8738	81.3	107.5
LSE-1-8-D-U-40	8911	81.3	109.6
LSE-1-8-D-U-50	9096	81.3	111.9

LCU System Data			
Model Number	Lumens	Watts	Lumens/Watt
LSE-1-4-2-U-35	4364		
LSE-1-4-2-U-40	4451	Wattage based on LCU performance	Greater than 105 lm/w
LSE-1-4-2-U-50	4543		
LSE-1-8-2-U-35	8642		
LSE-1-8-2-U-40	8813	Wattage based on LCU performance	Greater than 105 lm/w
LSE-1-8-2-U-50	8996		
LSE-1-4-5-U-35	4364		
LSE-1-4-5-U-40	4451	Wattage based on LCU performance	Greater than 105 lm/w
LSE-1-4-5-U-50	4543		
LSE-1-8-5-U-35	8642		
LSE-1-8-5-U-40	8813	Wattage based on LCU performance	Greater than 105 lm/w
LSE-1-8-5-U-50	8996		
LSE-1-4-8-U-35	4364		
LSE-1-4-8-U-40	4451	Wattage based on LCU performance	Greater than 105 lm/w
LSE-1-4-8-U-50	4543		
LSE-1-8-8-U-35	8642		
LSE-1-8-8-U-40	8813	Wattage based on LCU performance	Greater than 105 lm/w
LSE-1-8-8-U-50	8996		
LSE-1-4-D-U-35	4364		
LSE-1-4-D-U-40	4451	Wattage based on LCU performance	Greater than 105 lm/w
LSE-1-4-D-U-50	4543		
LSE-1-8-D-U-35	8642		
LSE-1-8-D-U-40	8813	Wattage based on LCU performance	Greater than 105 lm/w
LSE-1-8-D-U-50	8996		

Ordering Information							Example: LSE-1-8-5-U-40-W-W	
Series	Version	Length	Distribution Pattern	Input Voltage	CCT	Finish Color	Driver Configuration	
LSE	1 (Version 1)	4	2 (20 Up/80 Down)	U (120-277)	35 (3500 K)	S (Silver)	I (Integral)	
		8	5 (50 Up/50 Down)			40 (4000 K)	W (White)	W (Remote 18/2)*
			8 (80 Up/20 Down)			50 (5000 K)	C (Custom)	
			D (100 Down)					

Specifications and dimensions subject to change without notice
 *Remote configuration requires installation of the Remote Power System

Accessories	Accessories sold separately
LCU REMOTE POWER SYSTEM FOR LSE4	LCU2UNV54LSE4W
LCU REMOTE POWER SYSTEM FOR LSE8	LCU2UNV75LSE8W
LSA, LSE, LSQ PENDANT MOUNT, NON POWER FEED, 48" LENGTH	LSALSESQ1PENDANT
LSA, LSE, LSQ PENDANT MOUNT, POWER FEED, 48" LENGTH	LSALSESQ1PENDANTPF
LSA, LSE, LSQ REMOTE PENDANT MOUNT, NON POWER FEED, 48" LENGTH	LSALSESQ1PENDANTRPF
LSE WALL MOUNT BRACKET (available on 4ft fixture only)	LSE-1-WALL
LSE, LSQ WALL MOUNT KIT POWER FEED	LSELSQ-1-WALL-PF
LSE AIRCRAFT CABLE KIT, NON POWER FEED, 150" LENGTH	LSE-1-CABLE
LSE AIRCRAFT CABLE KIT, POWER FEED, 150" LENGTH	LSE-1-CABLE-PF
LSE REMOTE AIRCRAFT CABLE KIT, NON POWER FEED, 150" LENGTH	LSE-1-CABLE-R-PF
LSE CONTINUOUS RUN BRACKET	LSE-1-CR-BRACKET
LSE STRUT MOUNT KIT (threaded rod supplied by others)	LSE-1-STRUT

Recommended Dimmers*
Lutron NTSTV
Lutron DVSTV
Cooper SF10P
Legrand RH4FBL3PW

*Not a complete list. Check compatibility before installation.

This device complies with part 15 of the FCC Rules. Operation is subject to the following two conditions: (1) This device may not cause harmful interference, and (2) this device must accept any interference received, including interference that may cause undesired operation.

NOTE: This equipment has been tested and found to comply with the limits for a Class A digital device, pursuant to part 15 of the FCC Rules. These limits are designed to provide reasonable protection against harmful interference when the equipment is operated in a commercial environment. This equipment generates, uses, and can radiate radio frequency energy and, if not installed and used in accordance with the instruction manual, may cause harmful interference to radio communications. Operation of this equipment in a residential area is likely to cause harmful interference in which case the user will be required to correct the interference at his own expense.