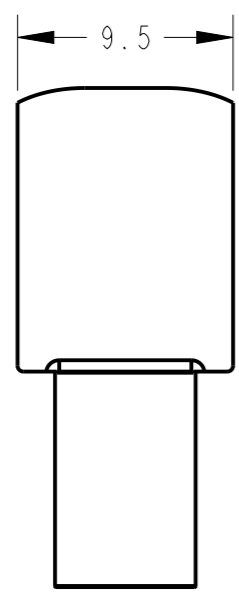
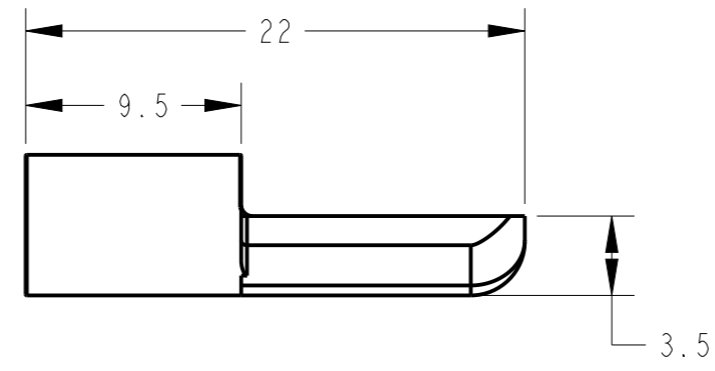
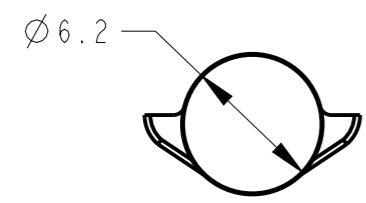
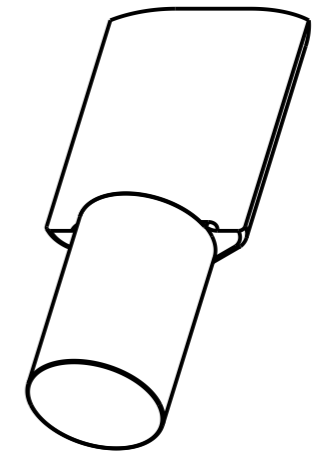


8 7 6 5 4 3 2 1

F  
E  
D  
C  
B  
A



ITEM	FINISH
I206AB	ANTIQUE BRASS
I206AC	ANTIQUE COPPER
I206BLK	BLACK
I206BN	BRIGHT NICKEL
I206PB	POLISHED BRASS



**hardware resources**

HARDWARE RESOURCES RESERVES THE RIGHT TO CHANGE SPECIFICATIONS WITHOUT NOTICE. IN CASE OF A DISCREPANCY, ACTUAL PART GEOMETRY SUPERSEDES THIS DOCUMENT.

THE INFORMATION CONTAINED WITHIN THIS DRAWING IS THE SOLE PROPERTY OF HARDWARE RESOURCES INC. ANY REPRODUCTION IN PART OR WHOLE WITHOUT WRITTEN PERMISSION OF HARDWARE RESOURCES INC. IS PROHIBITED.

DOCUMENT STATUS		<b>Released</b>	
UNLESS OTHERWISE SPECIFIED DIMENSIONS ARE IN MILLIMETERS (MM)			
MATERIAL	FINISH		
STEEL	SEE TABLE		
THIRD ANGLE PROJECTION		DATE	
		16JUN2022	

DESCRIPTION		
SHELF PIN, .25in, SPOON		
DRAWING NUMBER		REV
1206		<b>A</b>
SIZE	SCALE	SHEET
A3	3.000	1 / 1

8 7 6 5 4 3 2 1