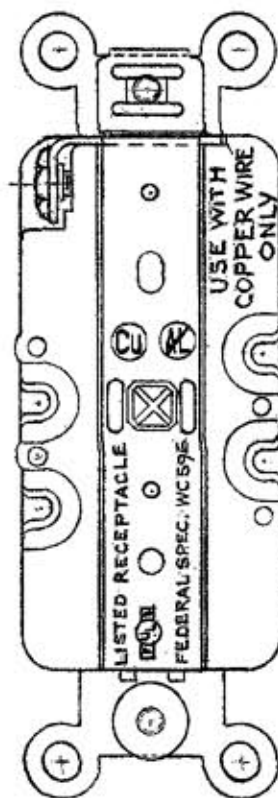
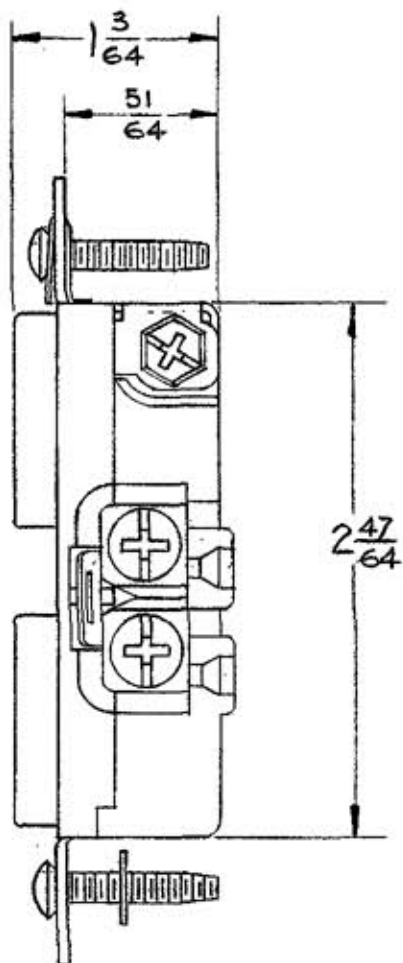
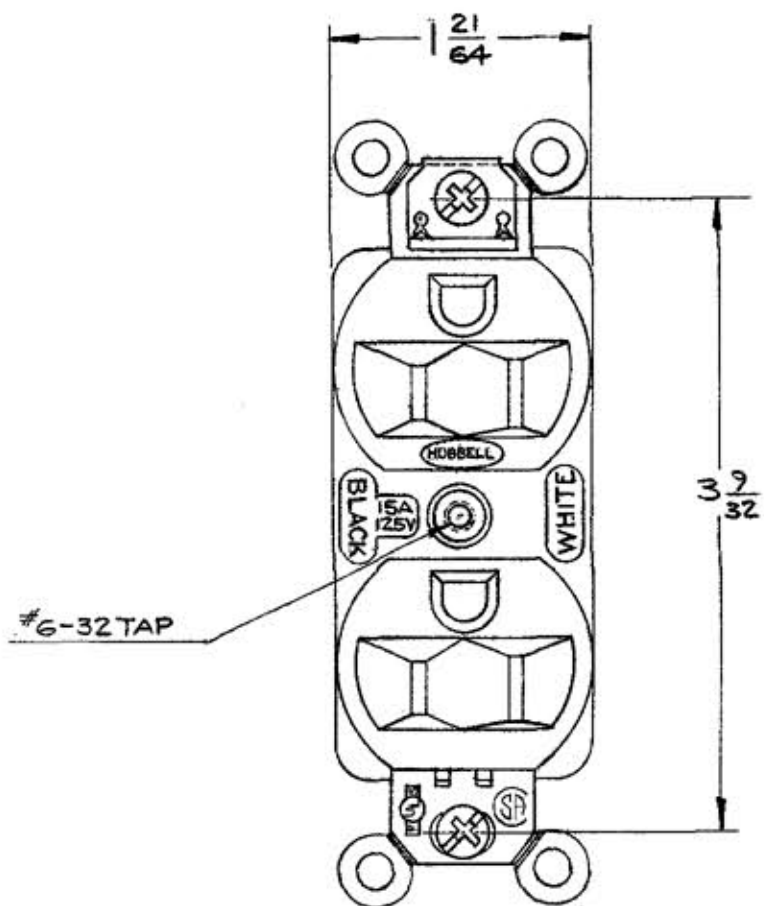


M-6325 3



LIST OF PARTS		
DESCRIPTION	MATERIAL	FINISH
TOP	NYLON	BROWN
BASE	MELAMINE	GRAY
CONT. SP. BIND. PLATE	.031 BRASS	
GR. CONTACT. SP.	.031 BRASS	
BRIDGE	BRASS	
GROUND SPRING	ST. STEEL	
BINDING SCREWS	BRASS	*
HEX. HD. BIND. SC.	BRASS	GREEN
MOUNTING SCREWS	STEEL	ZINC PL.
WASHER	FIBER	RED
CENTER RIVET	BRASS	

* = WHITE FINISH ON NEUTRAL PARTS WHEN USED.

DIMENSION SHEET FOR CAT. NO. SEE CHART

REPAIRABLE NON-REPAIRABLE

SYM	REVISIONS	APP	DATE
3	12/18/00 ADDED SYMBOLS AL, CU AND CBA, PER DCN 8197 SPN	CJC	
2	REVISED SERIAL HEAD FROM SLOTTED TO COMBO PER DCN 6471		9-16-96 PJK
1	TOP MATL. WAS ZYTEL; BRIDGE MATL. WAS .030 ST. ZN PL.; GR. SPR. MATL. WAS .030 ST/ZN PL./JMM	D.L.	1-26-90

B M-6325

CATALOG NUMBERS							
BROWN	IVORY	GRAY	WHITE	BLACK	RED	CONFIGURATION	RATING
5242	5242-1	5242-GRY	5242-WHI	5242-BLB	5242-RDB		15A-125V.
5342	5342-1	5342-GRY	5342-WHI				20A-125V.
5652	5652-1						15A-250V.

CODE 74545

TITLE
3 WIRE GROUNDING STRAIGHT BLADE
DUPLEX RECEPTACLE
LESS BACK WIRING

TOLERANCES UNLESS OTHERWISE SPECIFIED
 FRACTIONS ± 1/64
 DECIMALS ± .005
 ANGLES ± 2°

HARVEY HUBBELL, INC.
 BRIDGEPORT, CONN.
 DR. BY ASM APP. BY _____
 TR. BY _____ SCALE 1:1
 CHK'D. BY _____ DATE 11-1-82

3