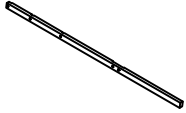

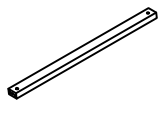
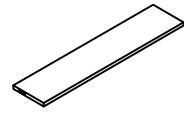
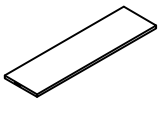
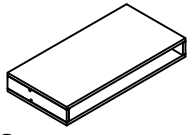







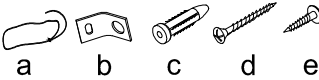
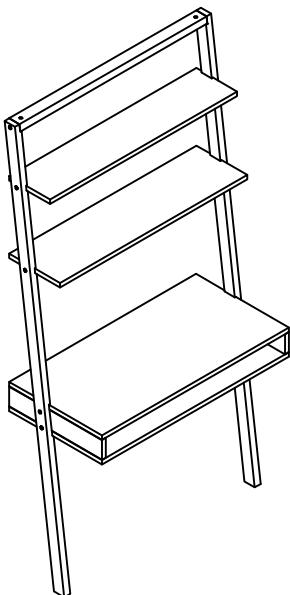


ASSEMBLY INSTRUCTION

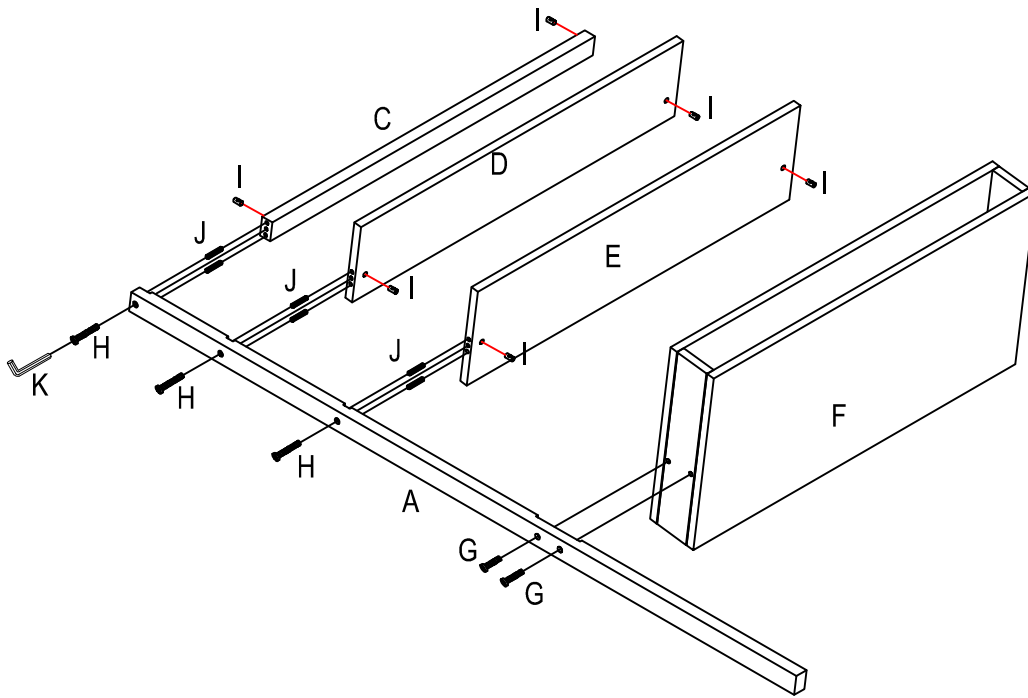
38"W LADDER BOOKCASE WITH BOX DESK SHELVES & BOX DESK

A Lsf Rail  1PC	B Rsf Rail  1PC	C Top Cross Bar  1PC	D Top Panel 36.25"x7.87"x0.75"  1PC
E Bottom Panel 36.25"x9.84"x0.75"  1PC	F Drawer Box 36.25"x18"x4.89"  1PC	G Bolt Ø1/4"x1"  4PCS	H Bolt Ø1/4"x1-3/4"  6PCS
I Nut Ø12x10mm  6PCS	J Wood Dowel Ø8x30mm  12PCS	K Allen Key Ø1/4"  1PC	L Screw Ø5/8"  2PCS
M Plug Ø12mm  10PCS	N Anti-Tipping Hardware Pack  1PC 2PCS 1PC 1PC 1PC		

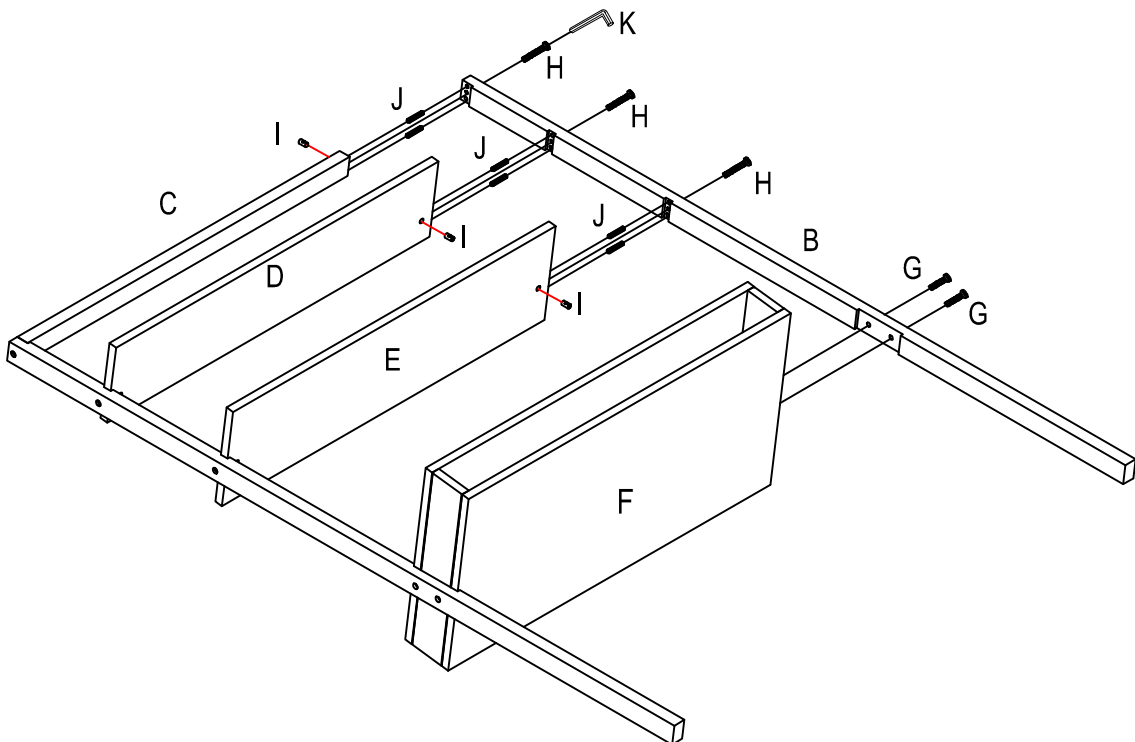


This above page lists all the contents included in the box. Please take the time to identify the hardware as well as the individual components to this product. As you unpack and prepare for assembly, place the contents on a carpeted or padded area to protect them from damage.

- 1** Attach Nut (I) to Top Cross Bar (C), Top Panel (D) and Bottom Panel (E), and attach Lsf Rail (A) to Top Cross Bar (C), Top Panel (D) and Bottom Panel (E) by using Wood Dowel (J) and Bolt (H) with Allen Key (K), then attach Lsf Rail (A) to Drawer Box (F) by using Bolt (G) with Allen Key (K).

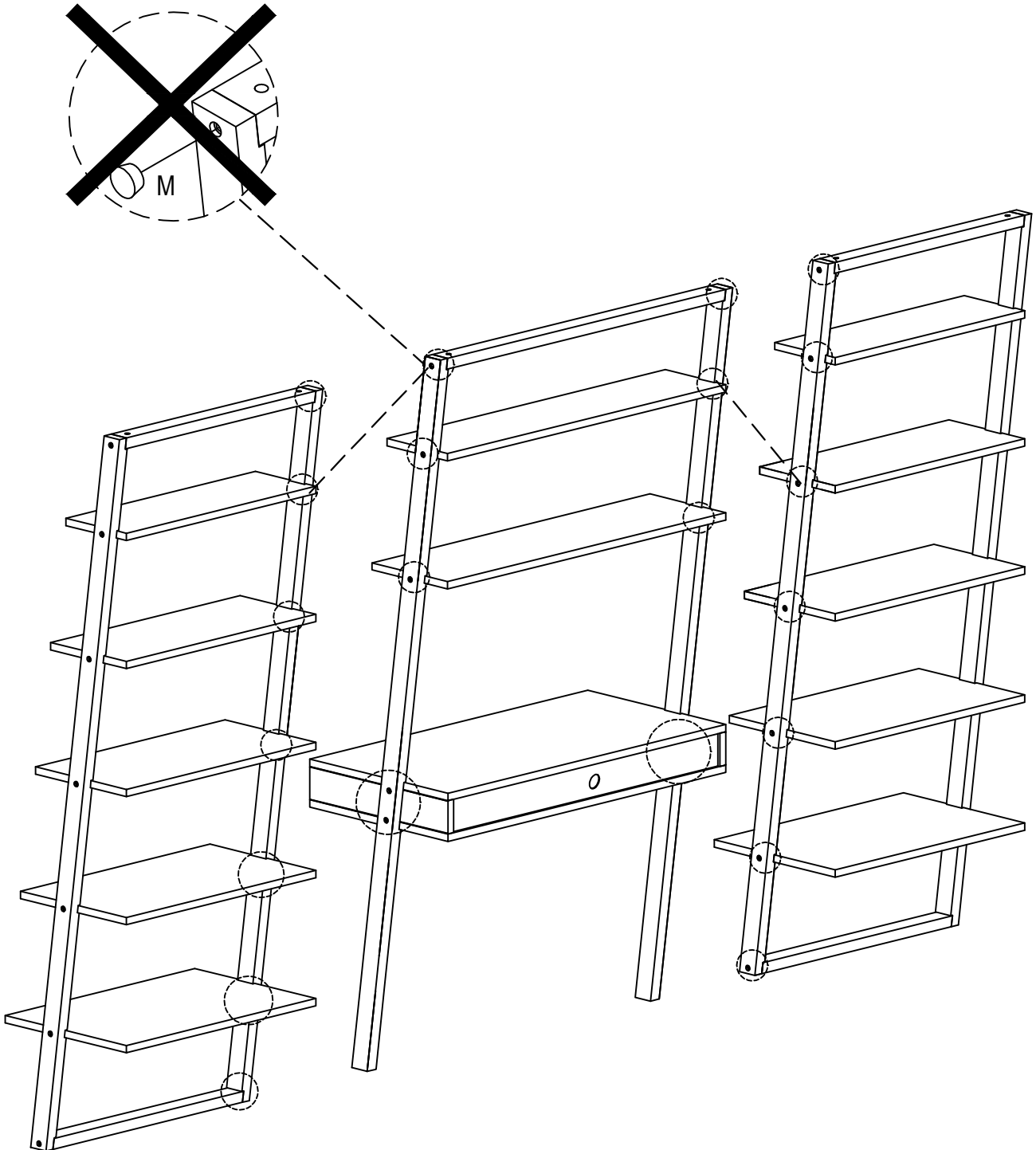


- 2** Attach Nut (I) to Top Cross Bar (C), Top Panel (D) and Bottom Panel (E), and attach Rsf Rail (B) to Top Cross Bar (C), Top Panel (D) and Bottom Panel (E) by using Wood Dowel (J) and Bolt (H) with Allen Key (K), then attach Rsf Rail (B) to Drawer Box (F) by using Bolt (G) with Allen Key (K).



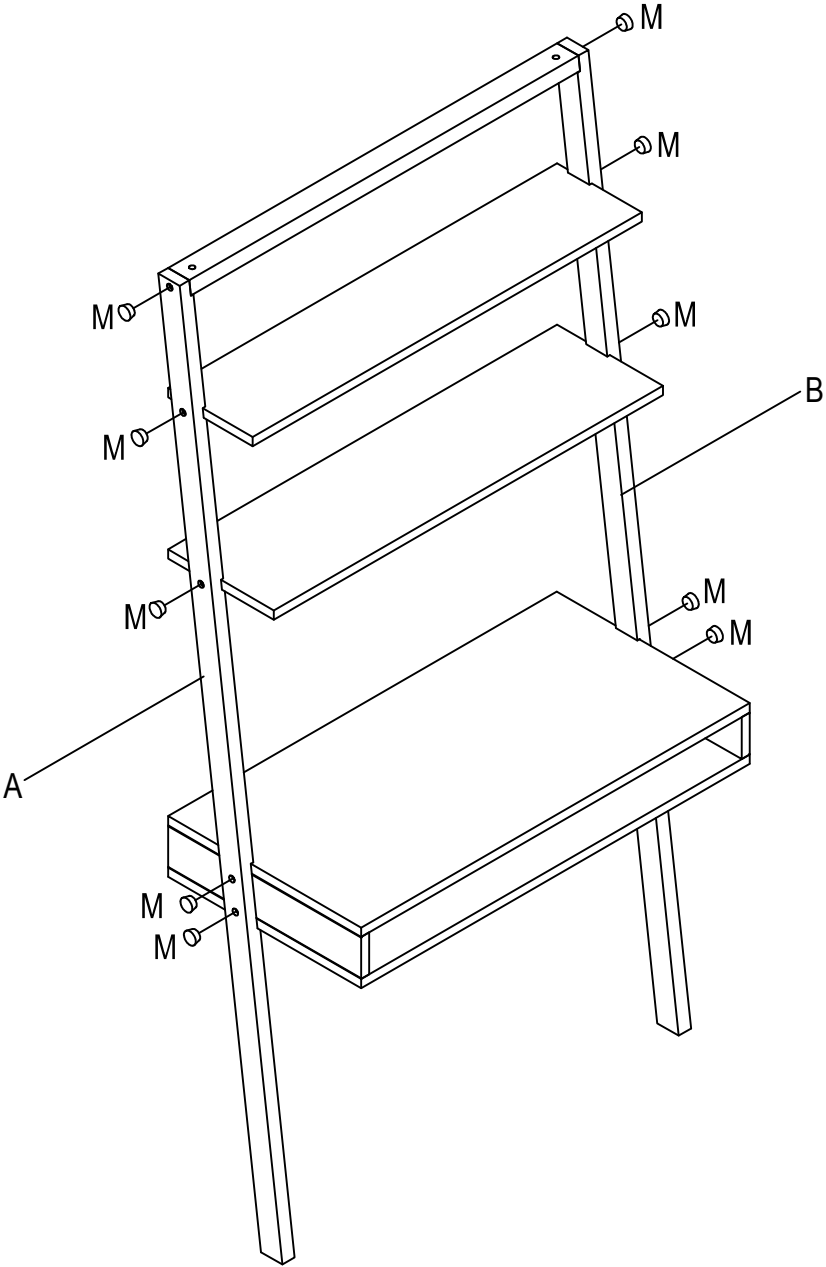
NOTICE

If you purchase two pcs or more, please note that don't attach the Plug (M) to the assembled holes of the Rail as it will have available gap between two bookcases.



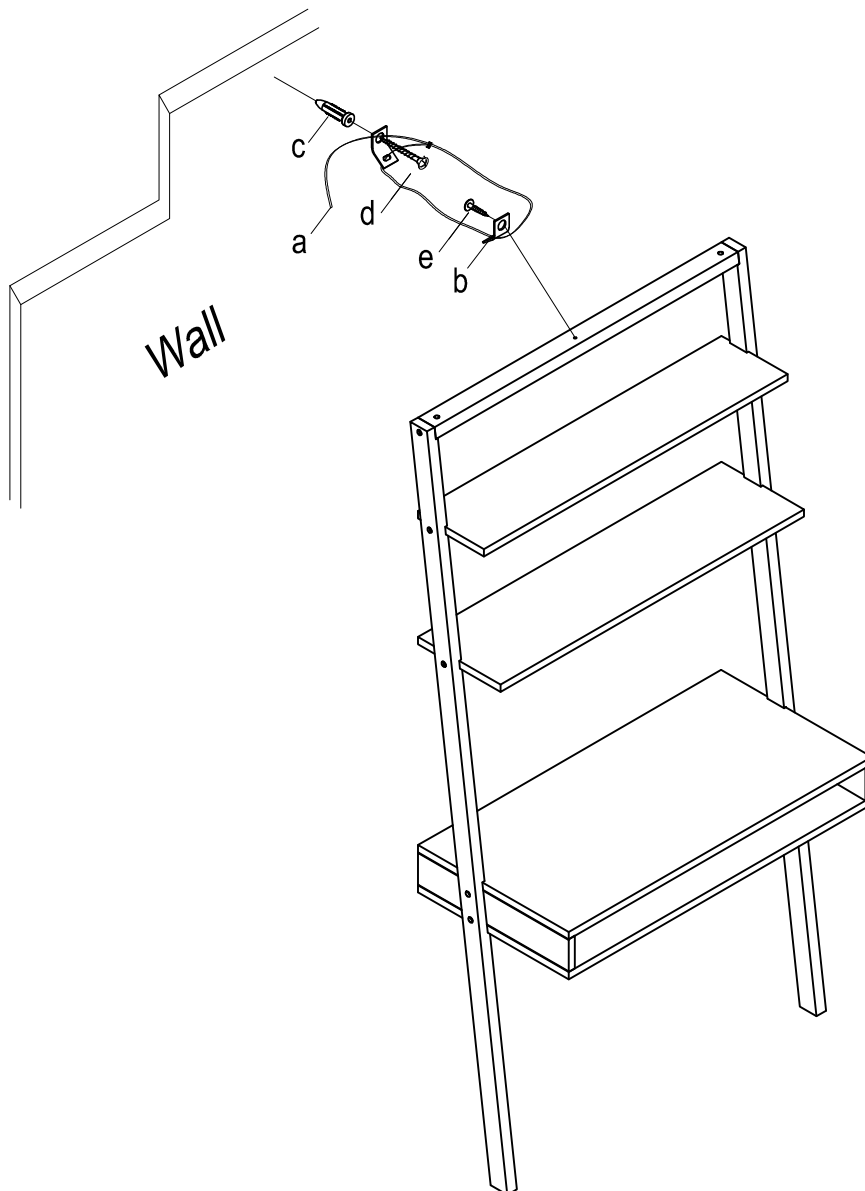
3

Attach Plug (M) to the assembled holes in the Lsf Rail (A) and Rsf Rail (B).

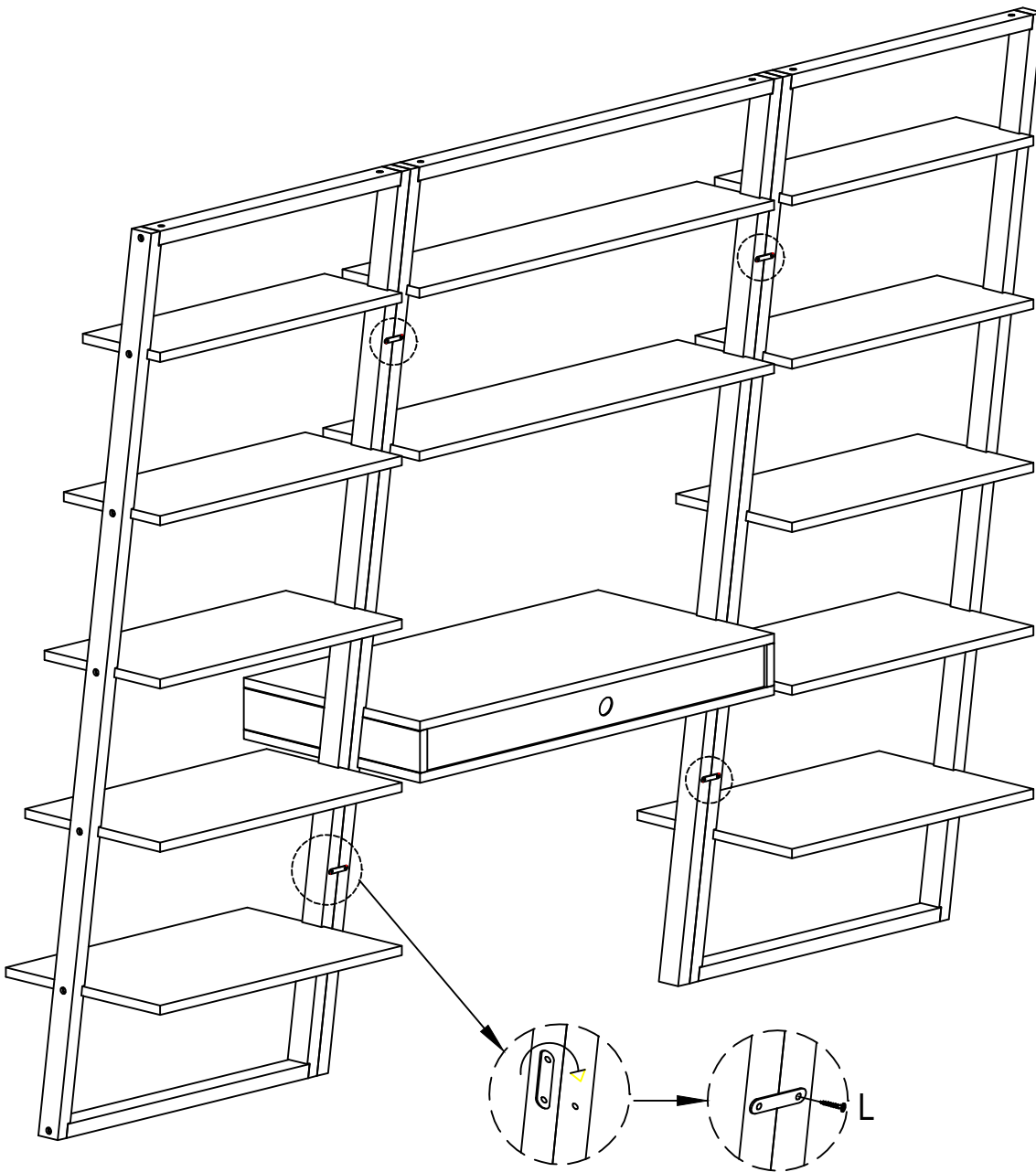


4 Take out the Anti-Tipping Hardware Pack (N) from the hardware set package, and assemble it to avoid tipping.

1. Attach and secure one of the wall brackets (b) to the back top edge of the bookcase using the short screw (e).
2. Mark the location on the wall for mounting the second wall bracket (b). Create appropriate sized hole in the wall and insert the plastic screw anchor (c). Secure the bracket to the wall using the long screw (d).
3. Place the furniture to the bracket on the back edge of unit lined with the bracket on the wall.
4. Lace an end of the nylon strap (a) down through each bracket to make sure the strap is securely laced and locked to the bracket.



- 5** If you purchased multiple leaning items, it is suggested that every two or more items be secured together by using connecting plate with Screw (L) as below shown.



Cleaning & Care

Treat surface with care. Surface is resistant to scratches but is not scratch resistant. Clean surfaces with a dry or damp soft cloth. Do not use abrasive cleaners. Hardware may loosen over time. Periodically check that all connections are tight.