

4MP Dual-spectrum Thermal Network Bullet Camera

TIC2621SR-F3-4F4AC-VD



Features

- Thermal & Optical dual-spectrum image, dual video with single IP address, adaptable to more various scenes
- 1/1.8 " target surface, high sensitivity sensor, satisfy the need of starlight monitoring
- Support reliable fire detection, smoking detection and fire shield area
- Thermal module supports temperature detection and cold&hot spot tracking which highlights the abnormal temperature, and link to alarm
- Thermal & Optical dual-spectrum smart intrusion prevention: cross line, enter area, leave area, intrusion
- Support picture-in-picture mode, real-time contrast live, more convenient and clear
- Support audio and light alarm, with red and blue warning lights built in
- Ultra 265, H.265, H.264, MJPEG
- Triple streams
- Max 2688*1520@30fps in the optical module and Max 720P@30fps in the thermal module
- DC12V ±25% or PoE power supply
- Alarm 2 in and 2 out, Audio 1 in and 1 out, Micro SD, up to 256 GB

Specifications

Camera	
Sensor-Optical	1/1.8", 4.0 megapixel, progressive scan, CMOS
Min. Illumination-Optical	Colour:0.001lux (F1.6, AGC ON) B/W: 0.0005lux(F1.6,AGC ON) 0 lux with IR
Day/Night-Optical	IR-cut filter with auto switch (ICR)
Sensor-Thermal	Vanadium Oxide Uncooled Focal Plane Arrays
Original Resolution-Thermal	256*192
Pixel Size	12 um
NETD	<55 mk @ F1.0 @ 25 °C
Shutter	Auto/Manual, 1 to 1/100000 s
Adjustment Angle	Pan: 0° to 360° Tilt: 0° to 90° Rotate: 0° to 360°
WDR	120 dB
S/N	>56 dB
Lens	
Lens Type-Optical	4mm@F1.6
Iris-Optical	Fixed aperture
Field of View (H)-Optical	89.9°
Field of View (V)-Optical	49.1°
Field of View (D)-Optical	110.6°
Lens Type-Thermal	3.2mm@F1.1
Iris-Thermal	F1.1
Field of View (H)-Thermal	57.0°
Field of View (V)-Thermal	42.0°
Field of View (D)-Thermal	74.1°
Focus-Thermal	Auto, Semiautomatic, Manual
DORI	
DORI Distance (Lens)-Optical	4mm

DORI Distance (Detect)-Optical	62.1m(203.6ft)
DORI Distance (Observe)-Optical	24.8m(81.5ft)
DORI Distance (Recognize)-Optical	12.4m(40.7ft)
DORI Distance (Identify)-Optical	6.2m(20.4ft)
DRI	
DORI Distance (Lens)-Thermal	3.2 mm
DORI Distance (Detect)-Thermal	Vehicle: 316m (target size 4mx1.4m); human: 126m (target size 1.8mx0.5m);
DORI Distance (Recognize)-Thermal	Vehicle: 79m (target size: 4mx1.4m); human: 32m (target size: 1.8mx0.5m);
DORI Distance (Identify)-Thermal	Vehicle: 45m (target size: 4mx1.4m); human: 18m (target size: 1.8mx0.5m);
Illuminator	
IR Range-Optical	Up to 50 m (164 ft) IR range
Wavelength-Optical	850 nm
IR On/Off Control	Auto/Manual
Video	
Video Compression	Ultra 265, H.265, H.264, MJPEG
Video Resolution	4MP(2688*1520), Max 30fps
Video Resolution-Thermal	720P(1280*720), max 30fps
Video Bit Rate	128 Kbps to 16 Mbps
U-code	Support
ROI	Up to 8 areas
Video Stream	Triple Streams
OSD	Up to 8 OSDs
Privacy Mask	Up to 8 areas (8 blacks/ 8 mosaics)
Image	
White Balance	Auto, Outdoor, Fine Tune, Sodium Lamp, Locked, Auto2
Digital Noise Reduction	2D/3D DNR
Smart IR	Support
Flip	Normal, Flip Vertical, Flip Horizontal, 180°, 90° Clockwise, 90° Anti-clockwise
HLC	Support
BLC	Support

Defog	Digital Defog
Palette-Thermal	white hot, lava, iron oxide red, hot iron, medical, arctic, rainbow 1, rainbow 2, rainbow 3, depict hot, ice hot, black hot, mazarine, fusion, red hot, green hot, color 1, color 2, rain, puce
Intelligent	
Smart Intrusion Prevention-Optical	Support False Alarm Filtering: Line Crossing Detection, Intrusion Detection, Enter Area, Leave Area Support Motor Vehicle, Non-motor Vehicle and Pedestrian Detection Capture and Plan Arming
Smart intrusion prevention-Thermal	Support false alarm filtering: Line crossing detection, Intrusion detection, Enter Area, Leave Area Support motor vehicle and pedestrian detection capture and plan arming
Smoking Detection-Thermal	Support the detection of smoking in the environment and link to alarm
Temperature Detection-Thermal	Support area detection, and link to alarm, the temperature value can be added to the alarm picture Support cold&hot point tracking, timely and clearly shows the abnormal point Up to 12 rules can be set Temperature range: -20°C ~+150°C Temperature accuracy: Max ($\pm 8^{\circ}\text{C}/\pm 8\%$)
Events	
Fire Detection	Support the detection of fire point in the environment and up to 10 fire points can be detected
Basic Detection-Optical	Motion Detection, Tampering Alarm
General Function	Watermark, IP Address Filtering, Access Policy, ARP Protection, RTSP Authentication, User Authentication, HTTP Authentication, Alarm Input, Alarm Output
Event	
Basic Detection-Thermal	Audio Detection
Audio	
Audio Compression	G.711U, G.711A
Audio Bitrate	128 Kbps
Two-way Audio	Support
Suppression	Support
Sampling Rate	16KHZ
Storage	
Edge Storage	Micro SD, up to 256 GB
Network Storage	ANR, NAS (NFS)

Network

Protocols	IGMP, RTP, SMTP, IPv4, IPv6, ICMP, ARP, TCP, UDP, DHCP, PPPoE, RTSP, RTCP, RTMP, DNS, DDNS, NTP, FTP, UPnP, HTTP, HTTPS, SNMP, 802.1x, QoS, SSL/TLS, SSH
Compatible Integration	ONVIF (Profile S, Profile G, Profile T), API, SDK
User/Host	Up to 32 users. 3 user levels: administrator, common user and operator
Security	Password Protection, Strong Password, HTTPS Encryption, Basic and Digest Authentication for RTSP, Export Operation Logs, Digest Authentication for HTTP, TLS 1.2, WSSE and Digest Authentication for ONVIF
Client	EZStation, EZLive, EZView
Web Browser	Plug-in required live view: IE 10 and above, Chrome 45 and above, Firefox 52 and above, Edge 79 and above

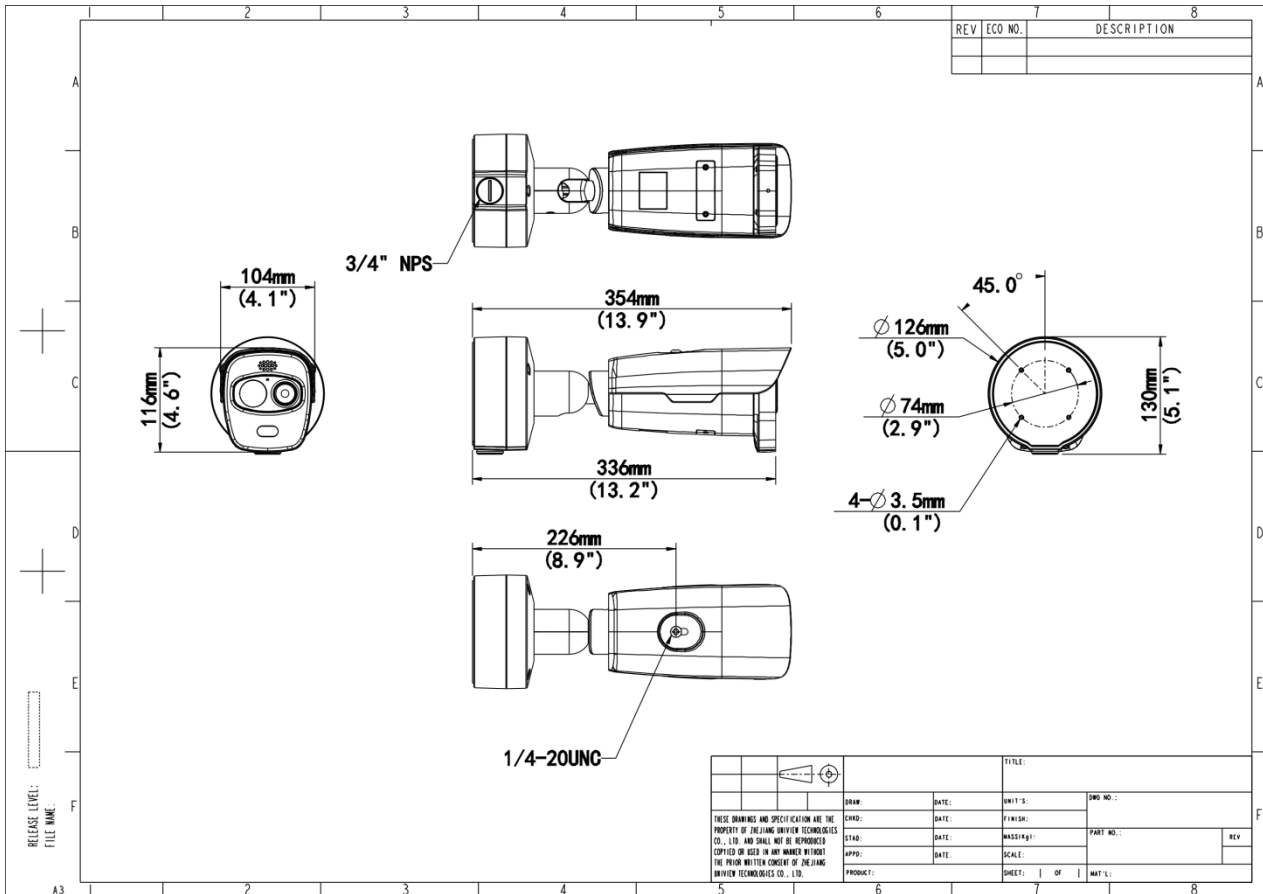
Interface

Audio I/O	1/1
Alarm I/O	2/2
Serial Port	1 channel RS485 interface
Built-in Mic	Support
Built-in Speaker	Support
Network	1 × RJ45 10M/100M Base-TX Ethernet

General

Power	DC12V(±25%), PoE(IEEE802.3af)
Power Consumption	Max 12W
Power Interface	Ø5.5 mm coaxial power plug
Dimensions	354 x 104 x 116 mm (13.9" x 4.1" x 4.6")(L x W x H)
Weight	1.85kg(4.08lb)
Working Environment	-40 °C to 70 °C (-40 °F to 158 °F), Humidity: ≤ 95% RH (non-condensing)
Reset Button	Support

Dimensions



Accessories

TR-UP06-C-IN

Pole Mounting Bracket for Bullet Junction Box Only



Zhejiang Uniview Technologies Co., Ltd.

No. 369, Xietong Road, Xixing Sub-district, Binjiang District, Hangzhou City, 310051, Zhejiang Province, China (Zhejiang) Pilot Free Trade Zone, China

Email: overseasbusiness@uniview.com; globalsupport@uniview.com

<http://www.uniview.com>

©2023-2024 Zhejiang Uniview Technologies Co., Ltd. All rights reserved.

*Product specifications and availability are subject to change without notice.

*Despite our best efforts, technical or typographical errors may exist in this document. Uniview cannot be held responsible for any such errors and reserves the right to change the contents of this document without prior notice.