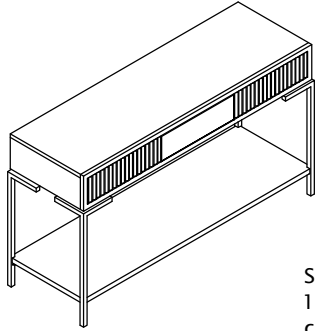


# HEKMAN

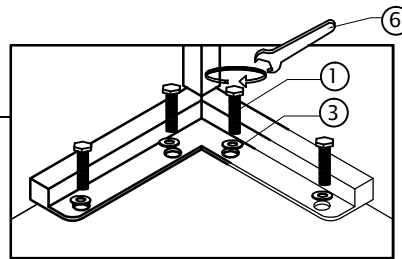
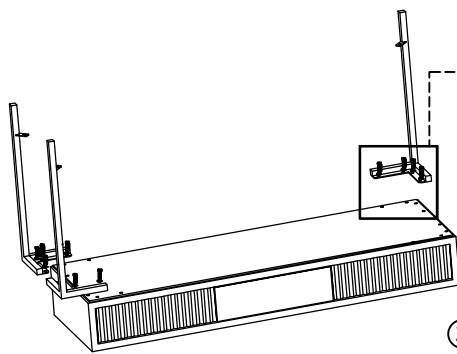
## ASSEMBLY INSTRUCTION 24108 SOFA TABLE WITH DRAWER



### Step#1

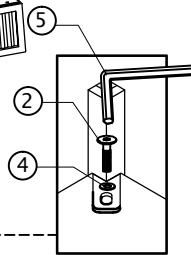
1. Lay top upside down on soft clean surface

HARDWARE LIST			
Part	Item	Description	Qty
1.		Bolt M8 x 20 mm	16 pcs
2.		JCBC Bolt M6 x 20mm	4 pcs
3.		Flat Washer M8 x 20	16 pcs
4.		Flat Washer M6 x 15	4 pcs
5.		Allen Key L4	1 pc
6.		Wrench	1 pc



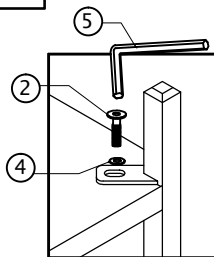
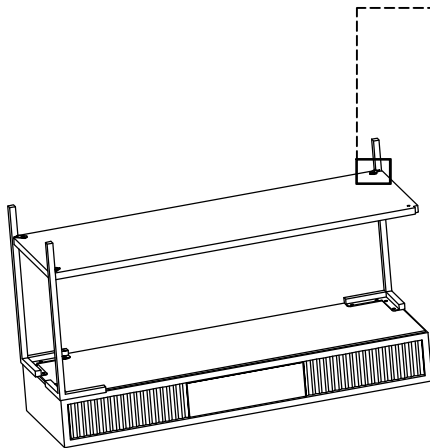
### Step#2

1. Attach 3 legs using Bolts(1), Flat Washer(3) and Wrench(6). Do not tighten bolts completely.



### Step#3

1. Attach Shelf to the 3 legs attached to top assembly in step#2 using JCBC Bolts(2), Flat Washer(4) and Allen key(5).



### Step#4

1. Attached the fourth leg to top assembly and shelf using Bolts(1), Flat Washer(3) and Wrench(6) for the top assembly and JCBC Bolts(2), Flat Washer(4) and Allen Key(5) for the shelf.

### Step#5

1. Tighten all Bolts completely  
2. Turn Sofa Table with Drawer Upright.

