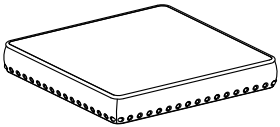


ASSEMBLY INSTRUCTION

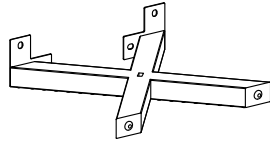
E640T(3A) X-BASE WITH NAILHEAD OTTOMAN

A Chair Seat



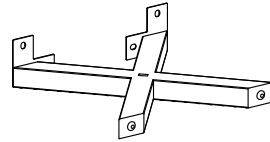
1pc

B Left Frame



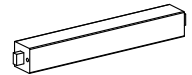
1pc

C Right Frame



1pc

D Rod



1pc

E Allen Key
5/16"



1pc

F Flat Washer
5/16"



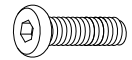
8pcs

G Spring Washer
5/16"



8pcs

H Bolt
5/16"x3/4"

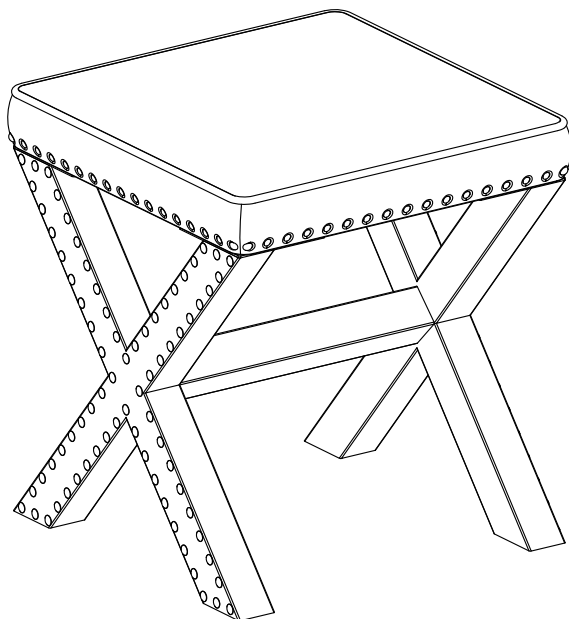


8pcs

I Screw
Ø4x25mm

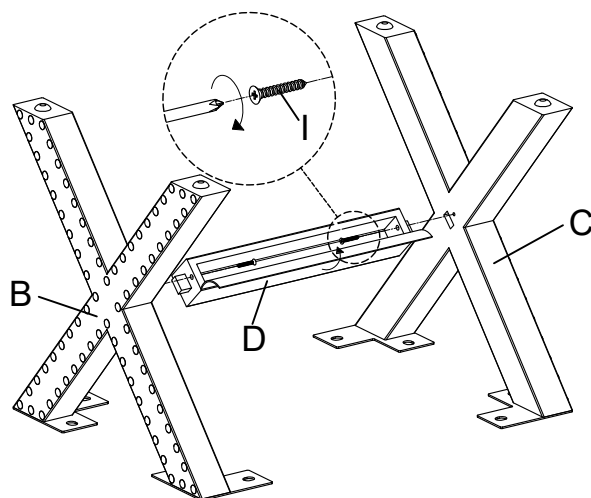


2pcs

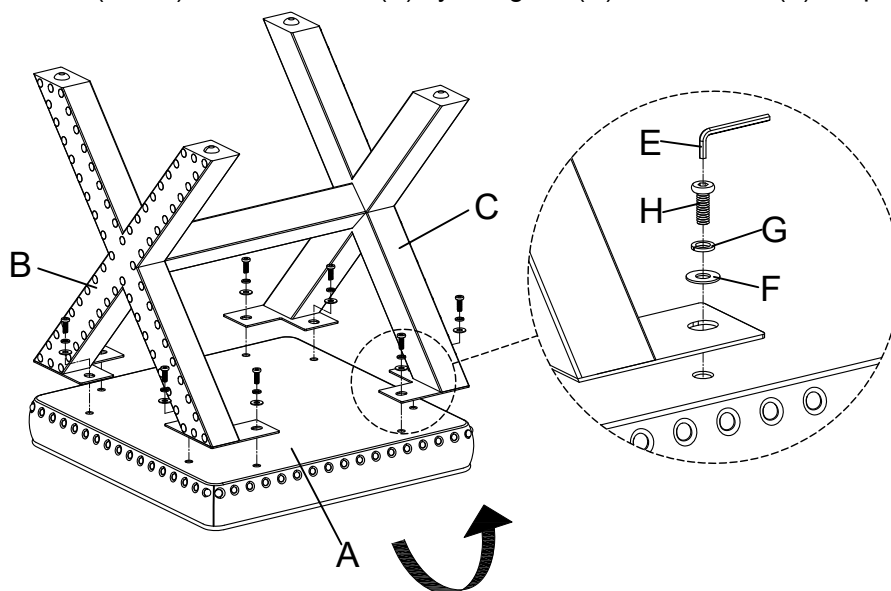


This page lists all the contents included in the box. Please take the time to identify the hardware as well as the individual components to this product. As you unpack and prepare for assembly, place the contents on a carpeted or padded area to protect them from damage.

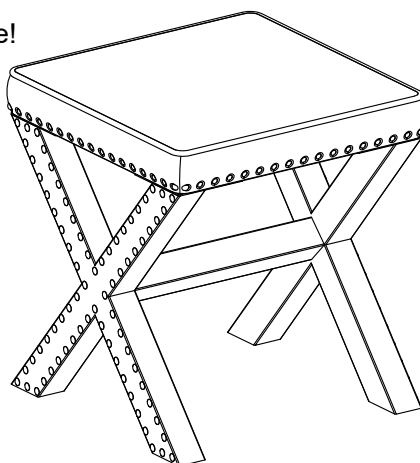
1 To connect Left Frame(B) & Right Frame(C) with Rod(D) by using Screw(I).



2 To connect Left & Right Frame(B & C) with Chair Seat(A) by using bolt(H), Flat Washer (F) & Spring Washer(G).



3 Turn the Ottoman over.
Now your new Ottoman is ready to use!



Cleaning & Care

Treat surface with care. Surface is resistant to scratches but is not scratch resistant. Clean surfaces with a dry or damp soft cloth. Do not use abrasive cleaners. Hardware may loosen over time. Periodically check that all connections are tight.