



Windward®

72" x 42" alcove bath, left drain
K-1115-L

Features

- Oval basin creates a spacious bathing experience
- Spacious design accommodates up to two bathers
- Integral lumbar support and armrests offer extra comfort while bathing
- Integral flange helps prevent water from seeping behind wall and simplifies alcove installation

Material

- Acrylic

Installation

- Left drain
- Alcove

Required Products/Accessories

K-T37391 Rotary-turn bath drain trim
K-T37392 Rotary-turn bath drain trim

or

K-37383 Rough-in cable bath drain, PVC, 30" cable with tubing
K-78438 30" cable bath drain

Recommended Products/Accessories

K-11677 Bath Drain
K-23726 Drain treatment

Codes/Standards

CSA B45.5/IAPMO Z124
ASTM E162
ASTM E662

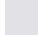
KOHLER® Plastic Baths and Shower Bases Lifetime Limited Warranty

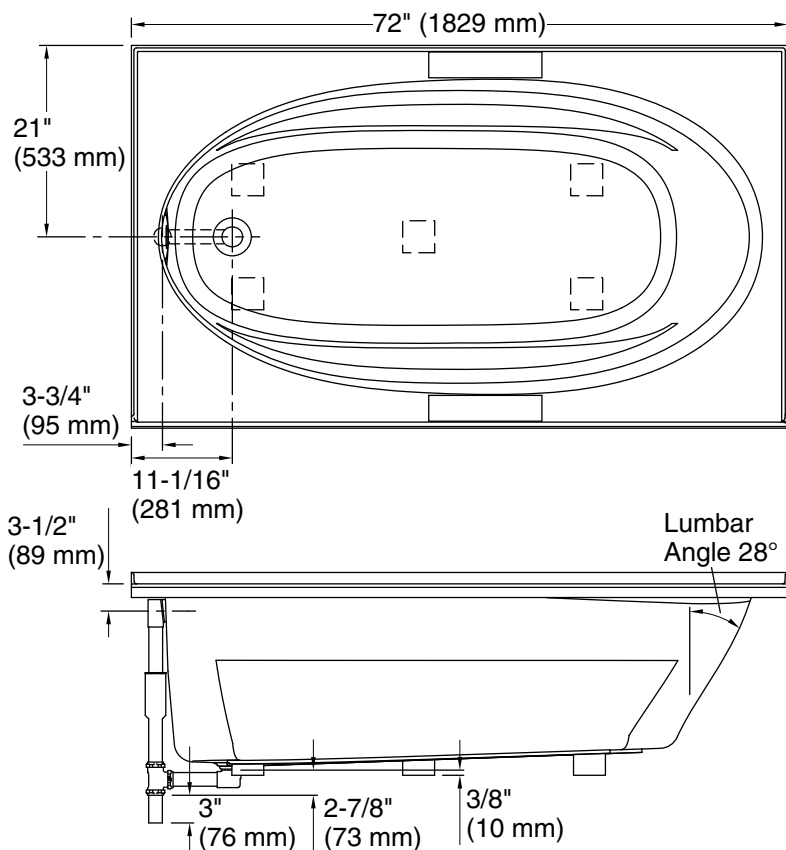
See website for detailed warranty information.

Available Colors/Finishes

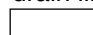
Color tiles intended for reference only.

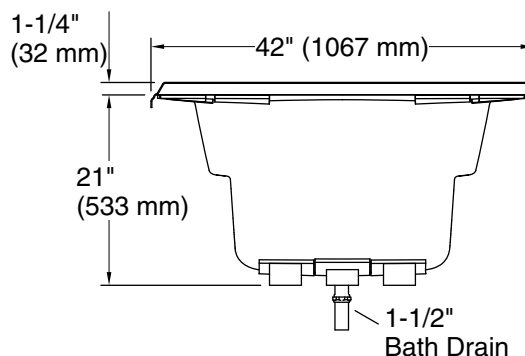
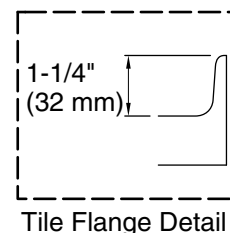
Color	Code	Description
-------	------	-------------

	0	White
---	---	-------



No change in measurements if connected with drain illustrated. (K-11677)

 Recommended Faucet Location



Technical Information

All product dimensions are nominal.

Drain location:	Left
Basin area, bottom:	55" x 23-1/4" (1397 mm x 591 mm)
Basin area, top:	64" x 32" (1626 mm x 813 mm)
Weight:	100 lbs (45.4 kg)
Minimum floor load:	38 lbs/ft ² (185.5 kg/m ²)
Water depth:	15" (381 mm)
Water capacity:	78.5 gal (297.2 L)
Minimum flat for door:	3-1/16" (78 mm)

Notes

Measure your actual product for rough-in details.

Install this product according to the installation instructions.

The hot water supply should be 70% of the capacity of the bath or greater. Installations will vary.

If installing a rim-mount faucet, make sure there is no interference above or below the deck before drilling any holes.