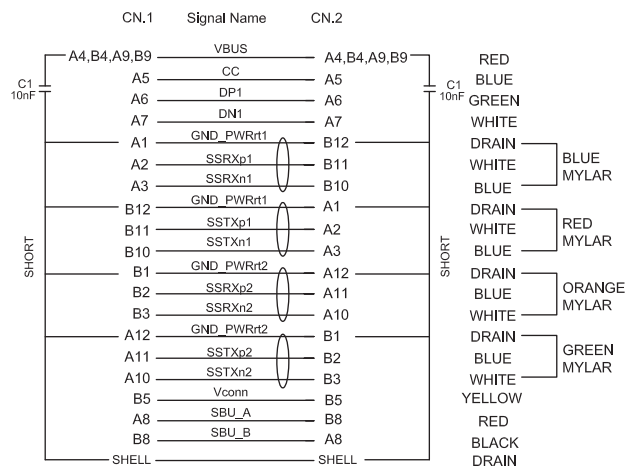


Wire Pin Assignment and Wire Description.



Part NO.	Length(L)
USB31CCTLKV50CM	500+50/-0
USB31CCTLKV1M	1000+0/-50

8	Screws: M2 L=30.5mm Ni-Plated ,MOLDING ABS BLACK
7	MOLDING:TPE YELLOW(Pantone 123C)
6	MOLDING:TPE BLACK
5	Painted Space Gray ABS+PC (PT 10394C) w/ PRINTING "StarTech.com" (PT WHITE C) & "SS" (PT 123C) & "SS" (PT WHITE C)
4	Painted Space Gray ABS+PC (PT 10394C) w/ PRINTING "StarTech.com" (PT WHITE C) & "SS" (PT 123C) & "SS" (PT WHITE C)
3	USB 3.1 C TYPE PLUG, TERMINAL Au-PLATED SHELL NI-PLATED
2	USB 3.1 C TYPE PLUG W/E-mark, TERMINAL Au-PLATED SHELL NI-PLATED
1	USB 3.1 CABLE [(32AWGx1P+EAM)x4P+30AWGx1P+21AWGx1C+32AWGx4C]+2EAB OD:4.8mm Braid:85% BLACK TPE

THIRD ANGLE PROJECTION

GENERAL NOTES
DIMENSIONS ARE IN MM - DO NOT SCALE
THIS DOCUMENT CONTAINS CONFIDENTIAL, PROPRIETARY INFORMATION THAT IS PROPERTY OF STARTECH.COM

PRODUCT ID	USB31CCTLKvM
DESCRIPTION	USB C to C with Top Screw - Locking Type
DO NOT SCALE	SHEET: 1 OF: 1
	UPLOAD DATE: 10/30/2023

ITEM	Q'TY	U/M	MATERIALS LIST & SPEC.	DESCRIPTION
8				
7				
6				
5				
4				
3				
2				
1				