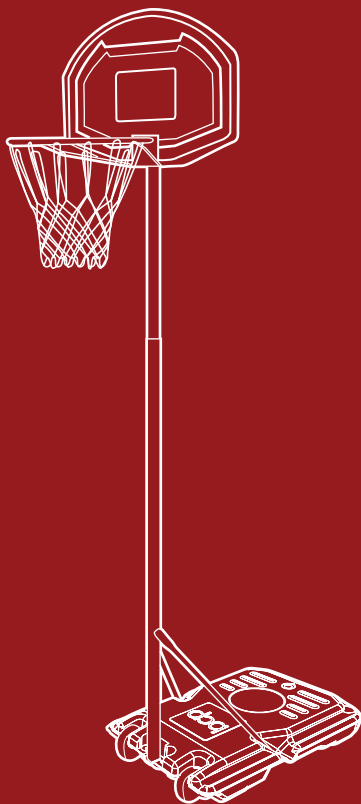




BEST CHOICE
PRODUCTS



INSTRUCTION MANUAL

Kids Mobile Base
Basketball Hoop

NOTICE

Please retain these instructions for future reference.

- Please read all instructions before attempting to install or assemble this item. Assembly should be done by adults only.
- Firmly secure all screws before use.
- Reconfirm that all bolts, screws, and knobs are secure before each use.
- Product is intended for outdoor use.
- If any parts are missing, broken, damaged, or worn, stop using this item until repairs are made and/or factory replacement parts are installed.
- Do not use this item in a way inconsistent with the manufacturer's instructions as this could void the product warranty.
- This product is intended for residential use only.

SAFETY INSTRUCTIONS

Please retain these instructions for future reference.

- **Failure to follow these safety instructions may result in serious injury or property damage and will void warranty.**
- **Owner must ensure that all players know and follow these rule for safe operation of this item.**
- **To ensure safety, do not attempt to assemble this item without following the instructions carefully.**
- **Check entire box and inside all packing material for parts and/or additional instruction material. the product warranty.**



Before beginning assembly, read the instruction and identify parts using the hardware identifier and parts list in this manual. Proper and complete assembly, use, and supervision are essential for proper operation and to reduce the risk of accident or injury. A high probability of serious injury exists if this item is not installed, maintained, and operated properly.

- **If using a ladder during assembly, use extreme caution.**
- **Capable adults are recommended for this operation.**
- **Check base daily for leakage. Leaks will cause item to fall.**
- **Assemble the pole sections properly (if applicable). Failure to do so could cause the pole sections to separate during play or transport.**
- **Minimum operational height is 6'6" (1.98m) to the bottom of the backboard.**



Most injuries are caused by misuse and/or not following instructions. Use caution when using this item.

WARNING

Please retain these instructions for future reference.

- Failure to follow these warnings may result in serious injury or property damage and will void warranty.
- Owner must ensure that all players know and follow these rule for safe operation of this item.
- Only hang from the rim briefly to regain balance or avoid injuring others. Release the rim as soon as safely possible.
- During play, especially when performing dunk type activities, keep players face away from the backboard, rim, and net. Serious injury could occur if teeth/face come in contact with the backboard, rim, or net.

⚠️ WARNING

Please retain these instructions for future reference.

- Do not slide, climb, or play on base or pole.
- Completely fill base according to manufacturers instructions or the item will tip quickly causing serious personal injury.
- When adjusting height or moving the item, keep hands and fingers away from moving parts.
- Do not allow children to move or adjust the item.
- During play, do not wear jewelry (rings, watches, necklaces, etc.). Objects may entangle in net.
- Surface beneath the base must be smooth and free of gravel or other objects. Punctures can cause leakage and could case the item to tip over.
- Keep water and organic material away from pole. Pole can rust and fall.
- Once a month check pole and all metal parts for rust. Completely remove rust and repaint with exterior enamel. If rust has penetrated any steel part, replace that part immediately.
- Check the item before each use for proper ballast, loose hardware, instability, and signs of corrosion and repair before each use. Never play on damaged equipment.
- Do not use the item during windy or severe weather. Place the item in an area protected from the wind or in an area away from property that may be damaged if the item falls.
- Do not climb on the base or structure in general, as this could result in serious injuries.
- Do not overtighten the hardware as this may damage the products structure.
- Adjustment and moving of the basketball set must be carried out by adults.
- Always check the unit to ensure the base is full of water or sand, and that all fittings and hardware are tight before each use.
- Always place the base of the set on a flat surface.
- Do not allow water to freeze in the base.
- The set requires two people for assembly.
- Check the base regularly for any leakage before playing.

TOOLS REQUIRED



**WRENCH (x2)
(PROVIDED)**



**ADULT ASSEMBLY
REQUIRED**



**2 PERSON
ASSEMBLY**



**UP TO 20 MIN.
ASSEMBLY**

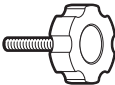
HARDWARE

1 M8 x 20mm
SOCKET
BUTTON HEAD




2 SETS

2 M7 x 40mm
TENSION KNOBS




1 PC

3 M8 x 60mm
LONG HEX
BOLT SET




1 SET

4 M8 x 55mm
SHORT HEX
BOLT



3 SETS

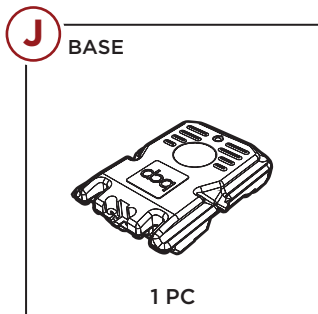
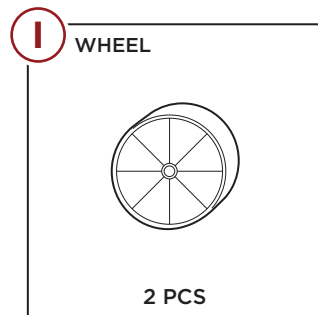
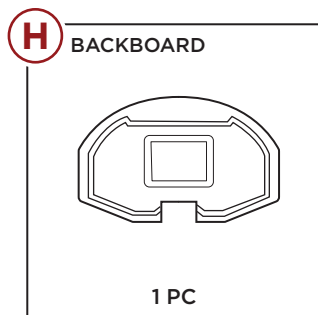
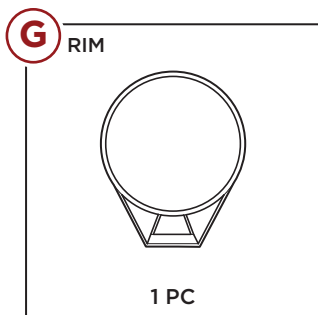
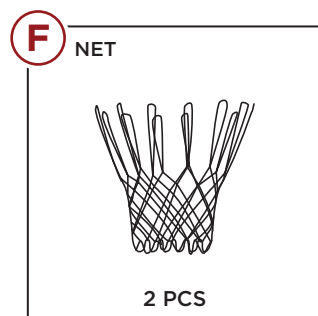
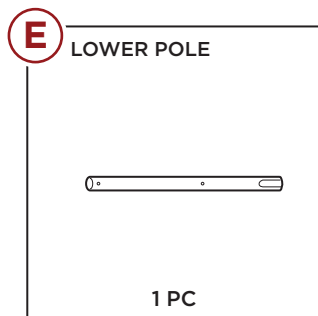
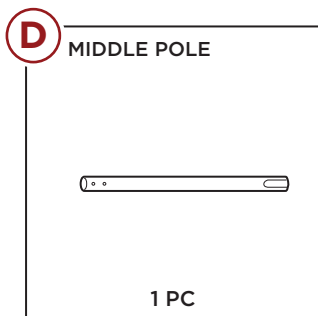
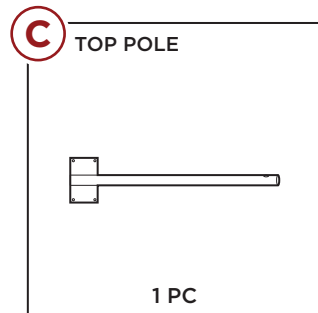
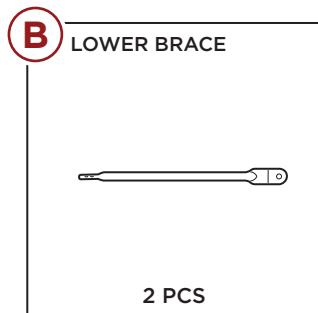
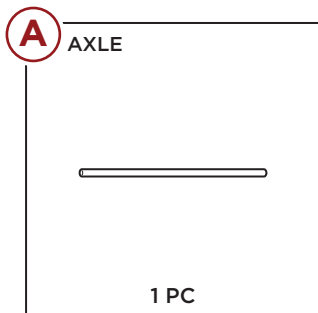
5 M8 x 35mm
SMALL HEX
BOLT



4 SETS

PARTS

Parts 1 & 5 feature extra-strength nylon threading, use included wrench to adjust.

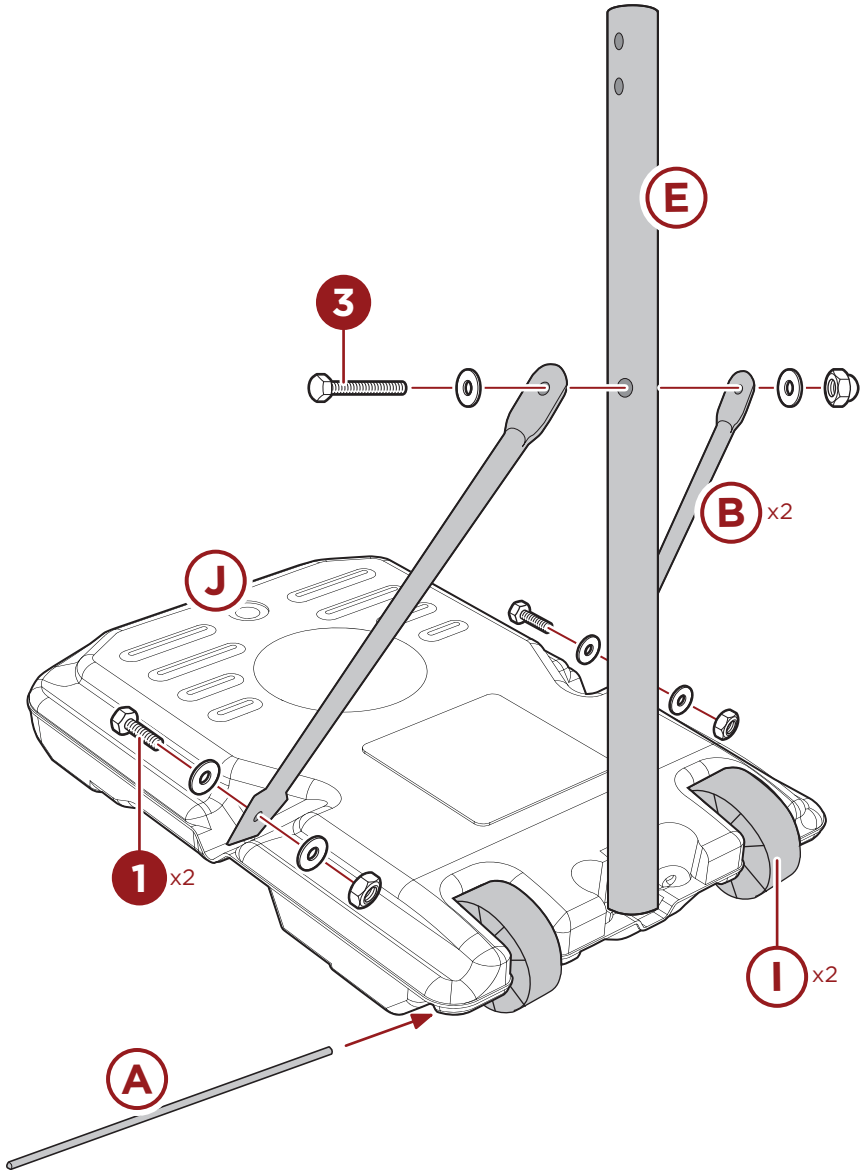


PRODUCT ASSEMBLY

1

Place the **part I wheels** and the **part E lower poles** onto the **part J base**. Slide the **part A axle** through the wheels and lower pole to secure them in place.

Attach the **part B left and right lower braces** to the **part J base** and **part E lower pole** with two **part 1 bolt sets** and one **part 3 bolt set**.

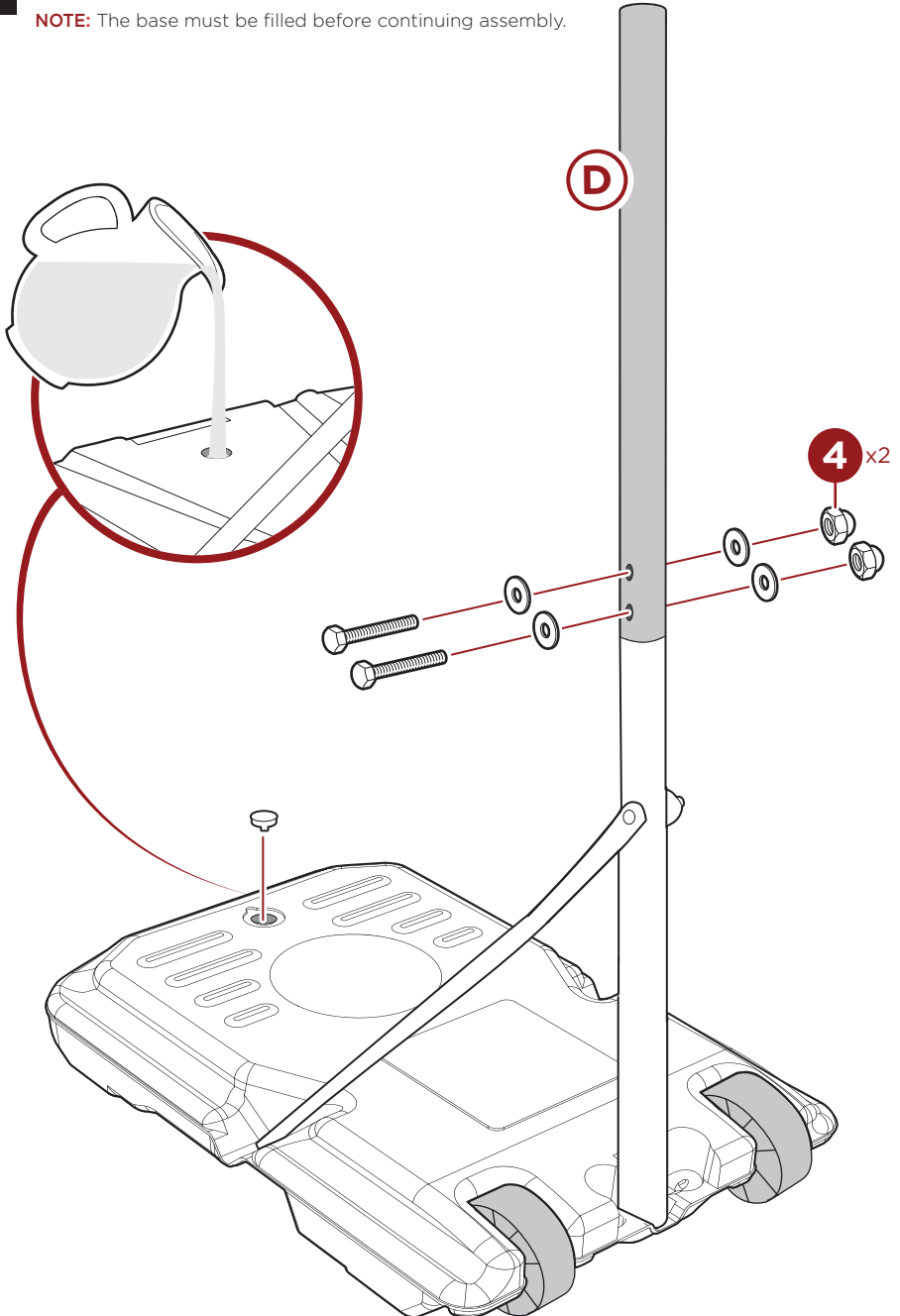


PRODUCT ASSEMBLY

2

Attach the **part D middle pole** to the lower pole with two **part 4 bolt sets**.
Fill the base with sand or water.

NOTE: The base must be filled before continuing assembly.

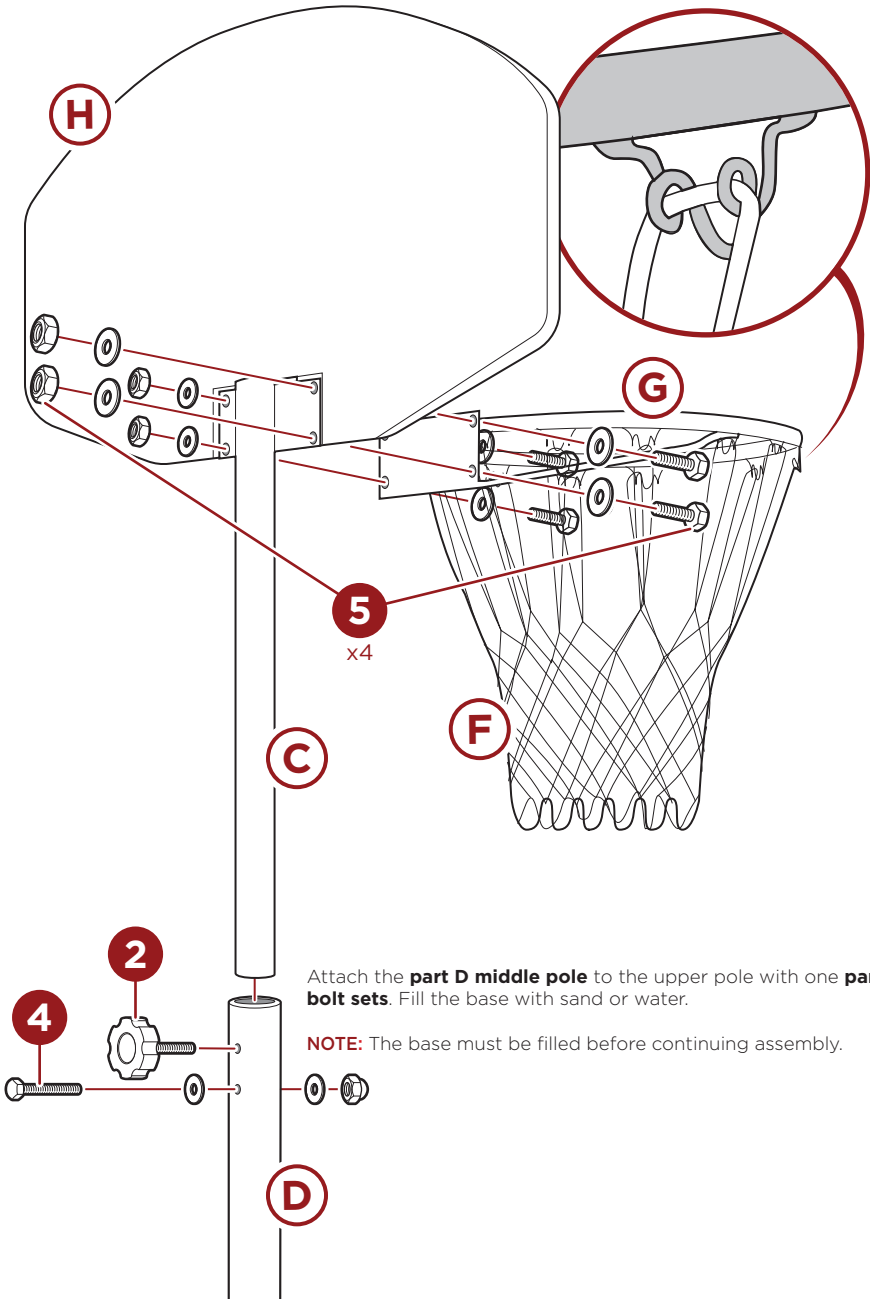


PRODUCT ASSEMBLY

3

Fasten the **part F net** to one **part G rim**. Carefully connect each net loop with the corresponding ring on the rim.

Attach the **part G rim** to the **part H backboard** and **part C top pole** with four **part 5 bolt sets**.





HELP CENTER



Question about your product? We're here to help. Visit us at:

help.bestchoiceproducts.com



Chat Support



Product Inquiry



Orders FAQ



Product Assembly



Returns & Refunds

PRODUCT WARRANTY INFORMATION

All items can be returned for any reason within 60 days of the receipt and will receive a full refund as long as the item is returned in its original product packaging and all accessories from its original shipment are included. All returned items will receive a full refund back to the original payment method. All returned items will not be charged a re-stocking fee.

All returned items require an RA (Return Authorization) number, which can only be provided by a Best Choice Products Customer Service Representative when the return request is submitted. Items received without an RA may not be accepted or may increase your return processing time. Once an item has been received by Best Choice Products, refunds or replacements will be processed within 5 business days.

All returns must be shipped back to the Best Choice Products Return Center at the customer's expense. If the reason for return is a result of an error by Best Choice Products then Best Choice Products will provide a pre-paid shipping label via email. Boxes for return shipping will not be provided by Best Choice Products, and is the customer's responsibility to either use the original shipping boxes or purchase new boxes.

Pictures may be required for some returns to ensure an item is not damaged prior to its return. Items returned are not considered undamaged until they are received by Best Choice Products and verified as such. All damages to items are the customer's responsibility until the item has been received by and acknowledged by Best Choice Products as undamaged.

© Best Choice Products, Inc. All rights reserved. Distributed by Best Choice Products, Inc. Newport Beach, CA 92660

WARNING

Manufacturer and seller expressly disclaim any and all liability for personal injury, property damage or loss, whether direct, indirect, or incidental, resulting from the incorrect attachment, improper use, inadequate maintenance, unapproved modification, or neglect of this product.