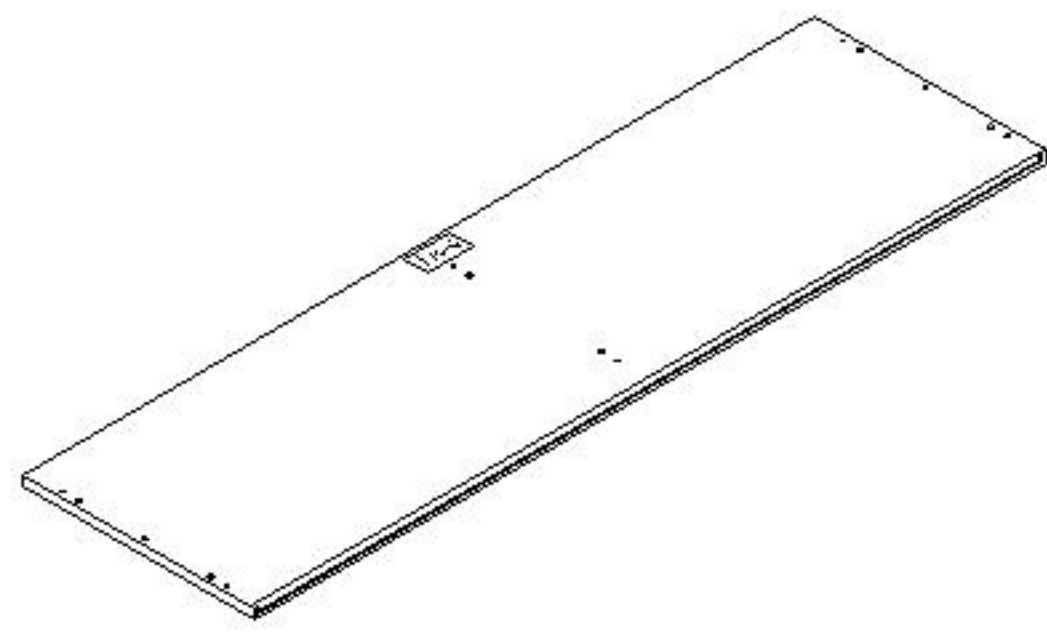


ASSEMBLY INSTRUCTION

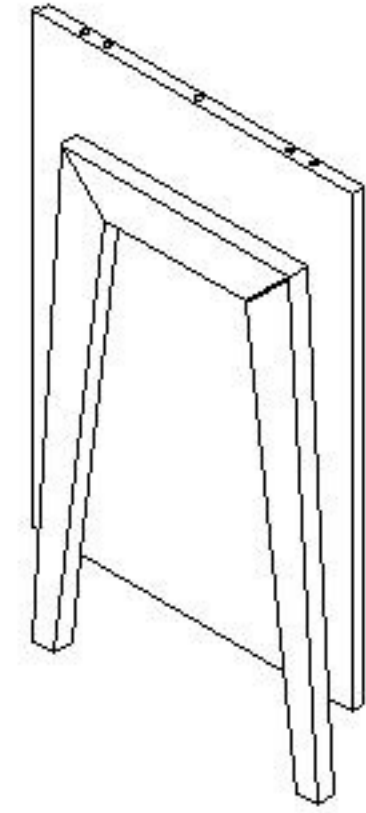
6-DRAWER DRESSER

A Top Panel



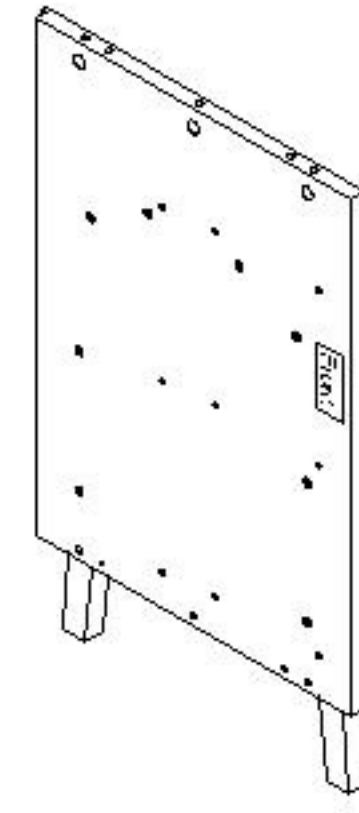
1pc

B Left Side Panel



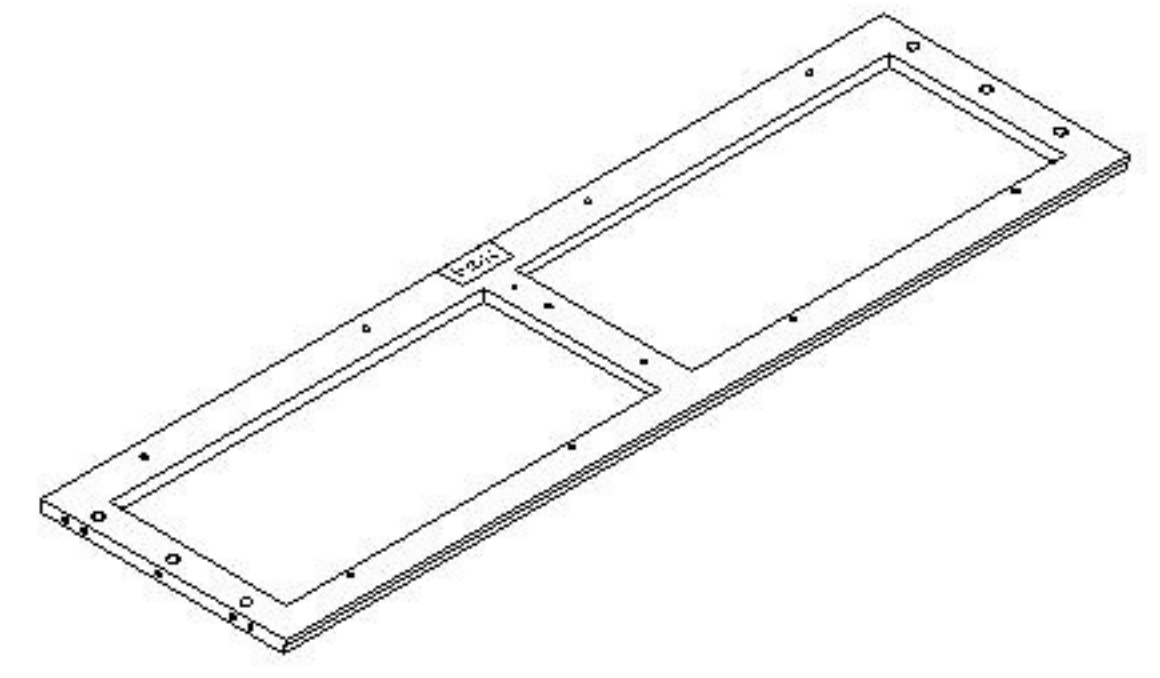
1pc

C Right Side Panel



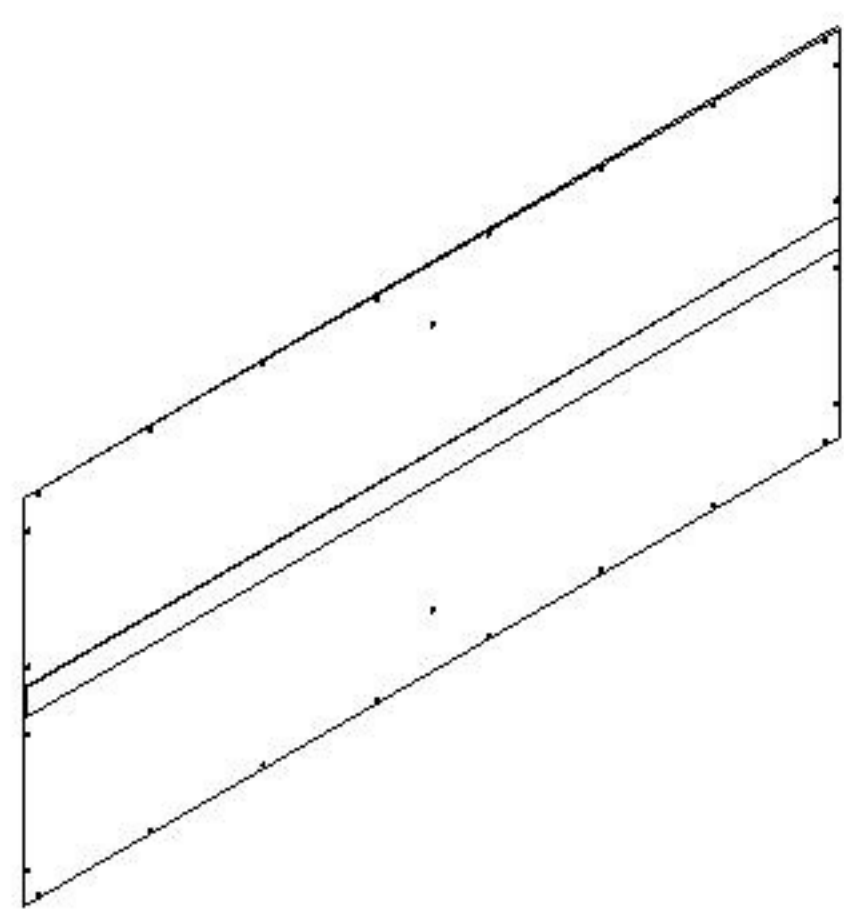
1pc

D Bottom Frame



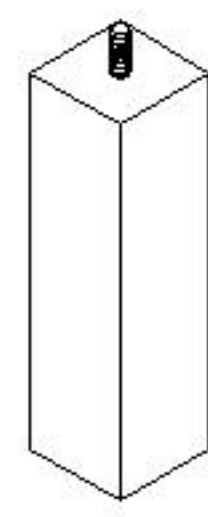
1pc

E Back Plywood



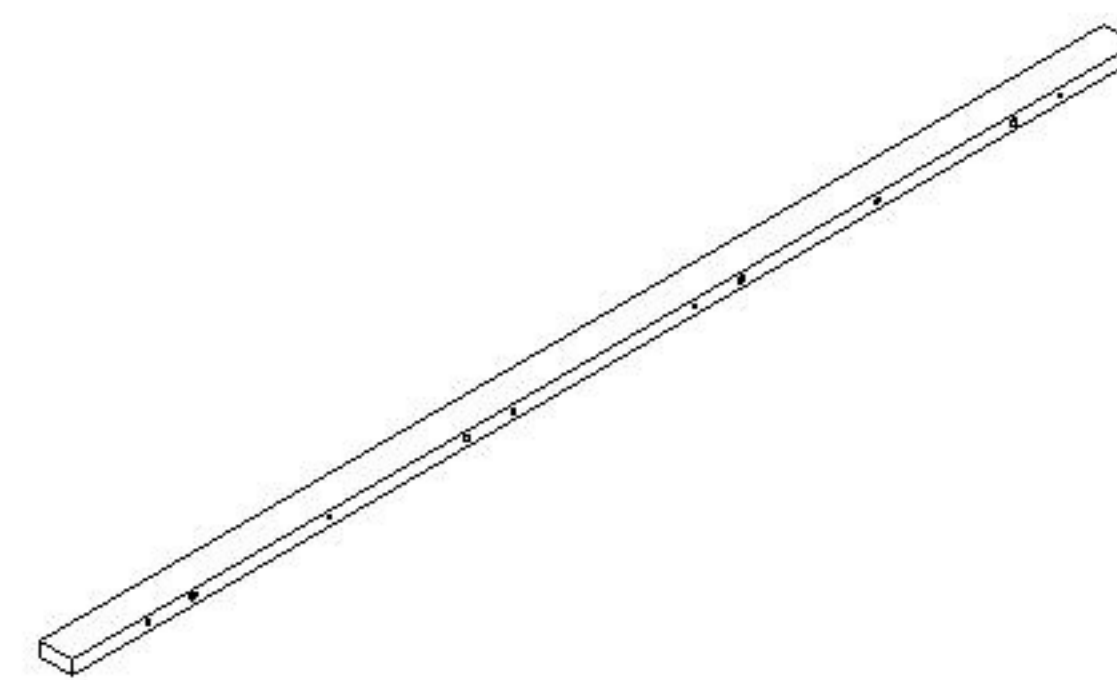
1pc

F Support Stand



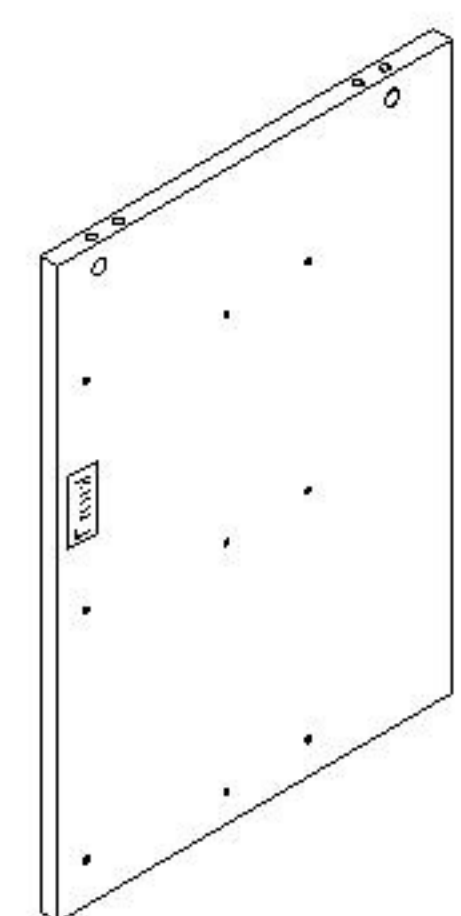
1pc

G Support Bar



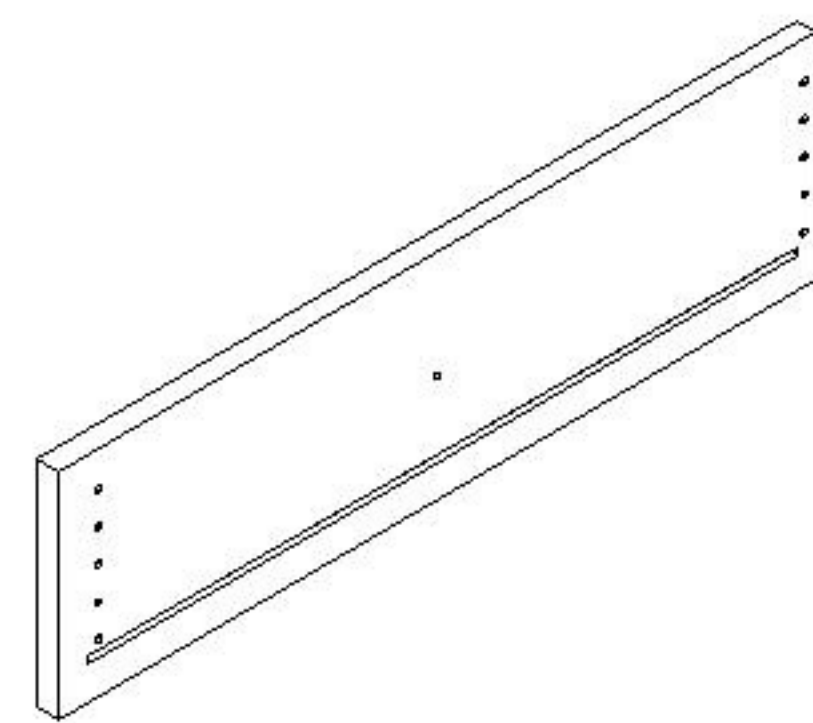
2pcs

H Partition



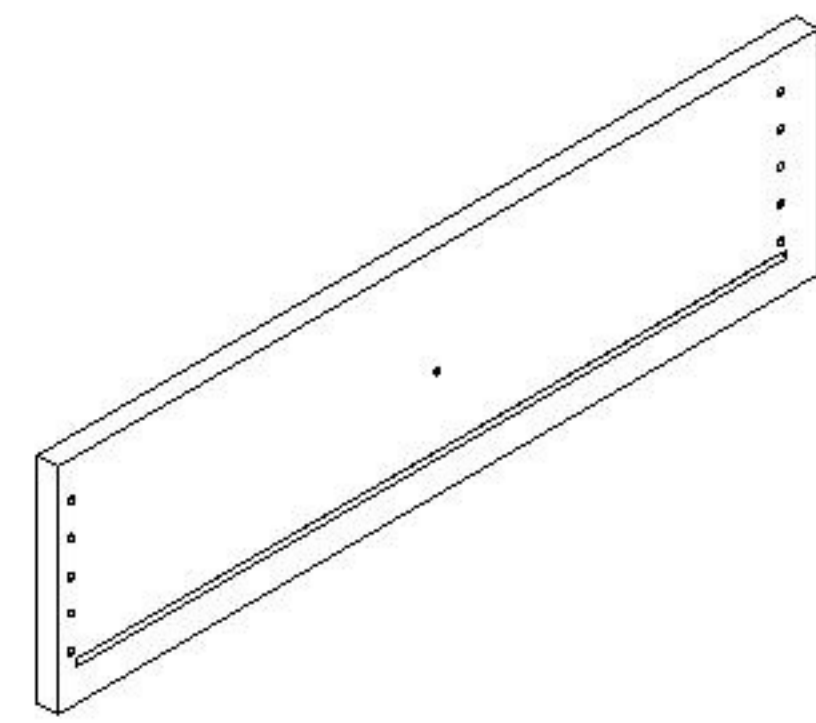
1pc

I Left Big Drawer Front



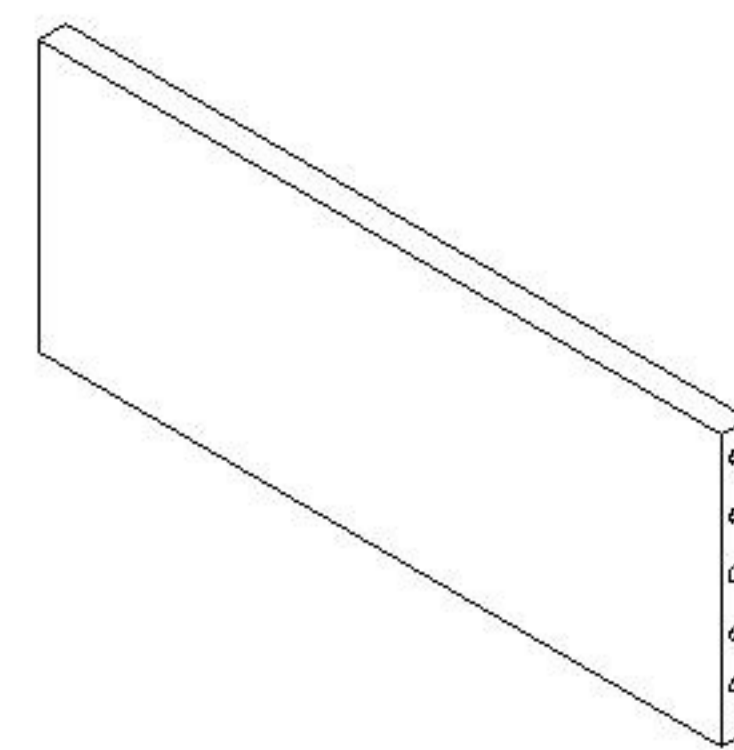
2pcs

J Right Big Drawer Front



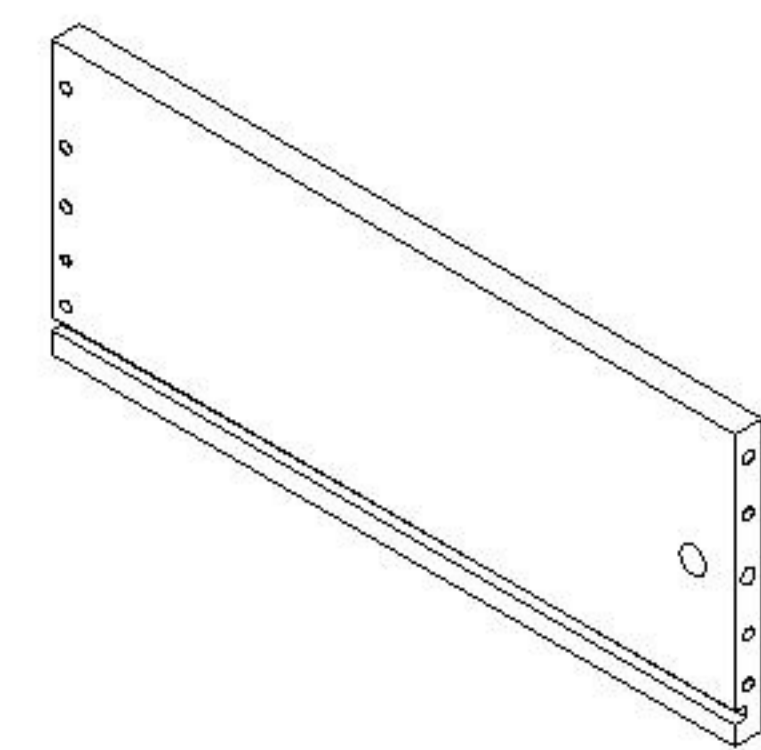
2pcs

K Left Big Drawer Side



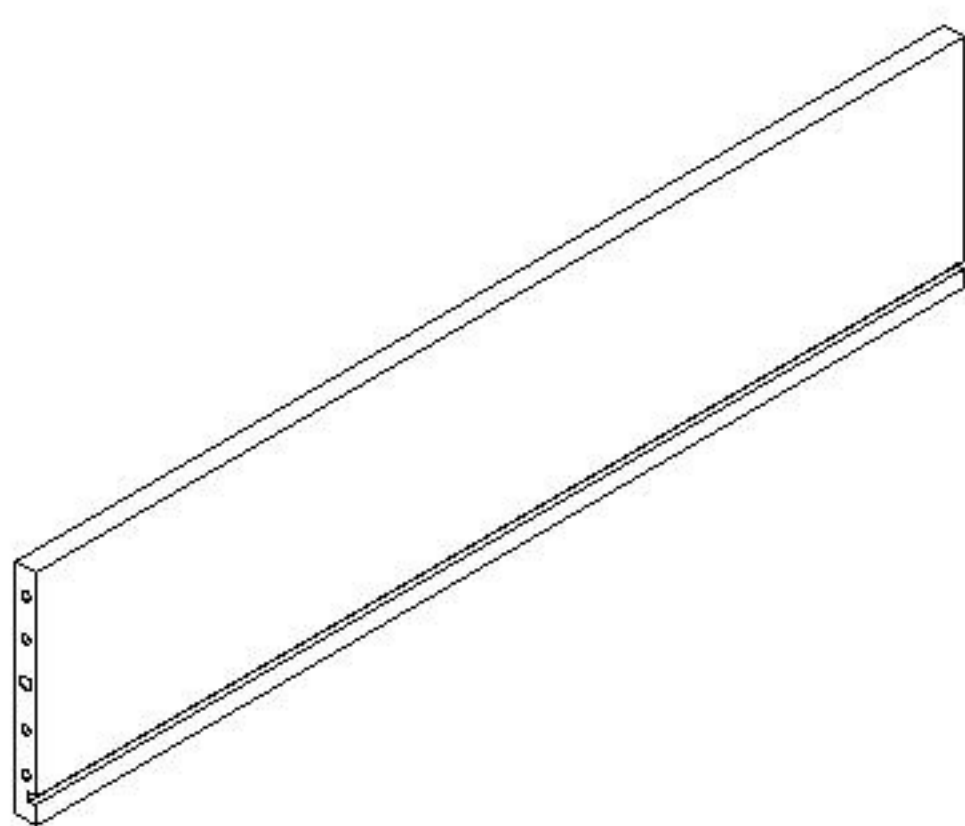
4pcs

L Right Big Drawer Side



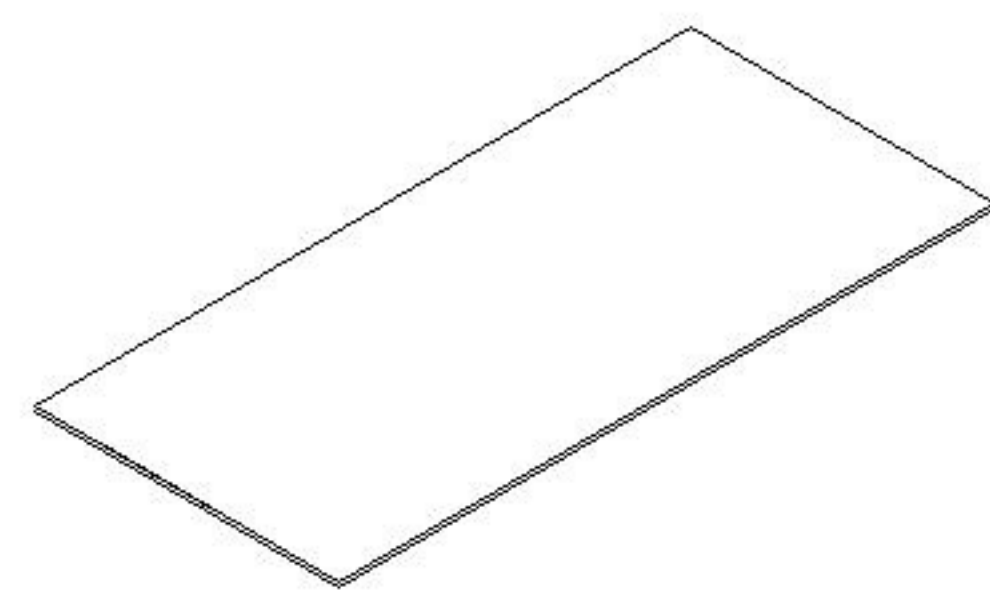
4pcs

M Big Drawer Back



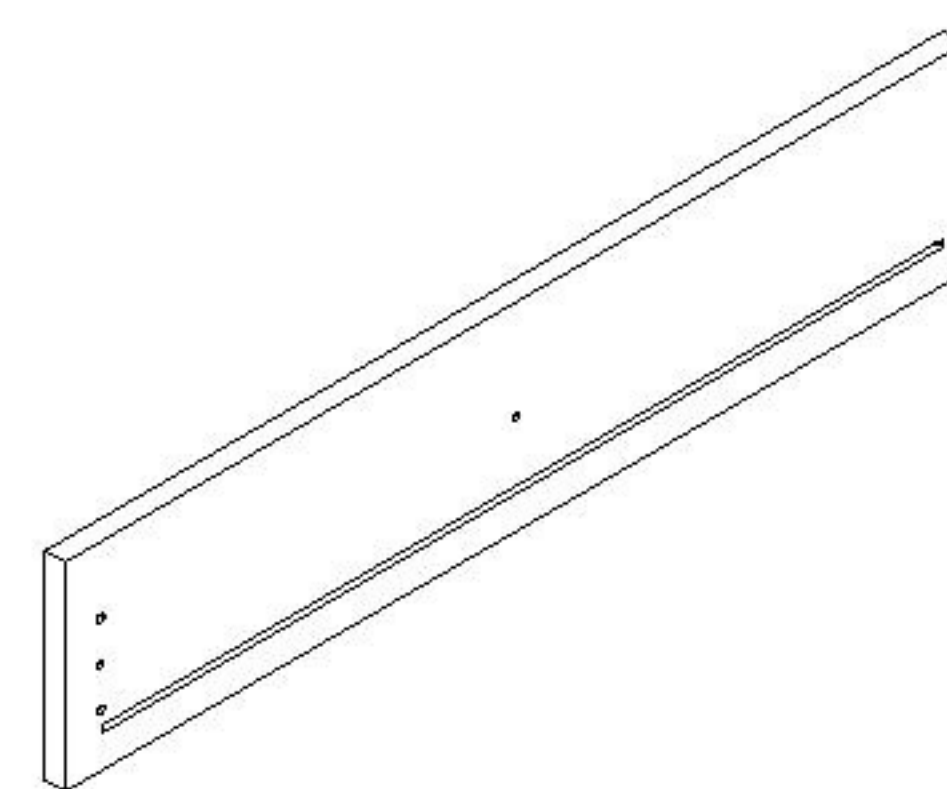
4pcs

N Drawer Base



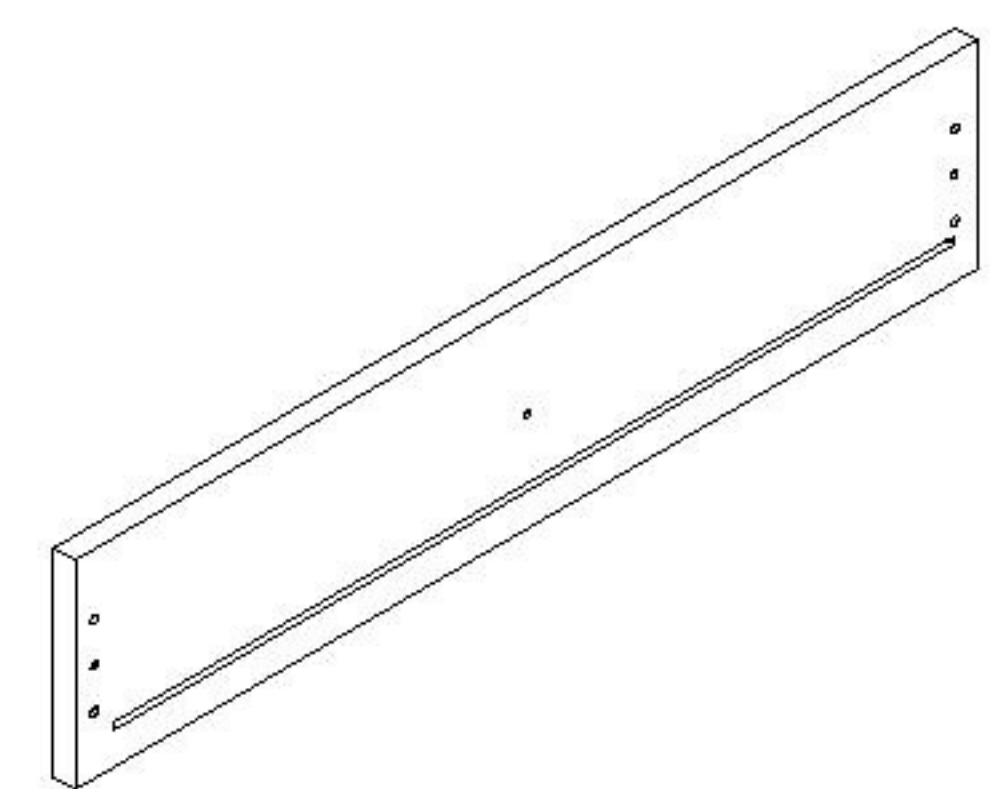
6pcs

O Left Small Drawer Front



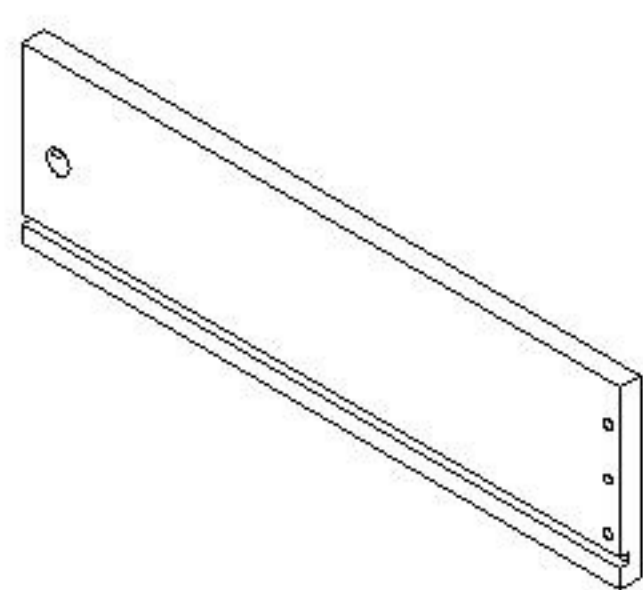
1pc

P Right Small Drawer Front



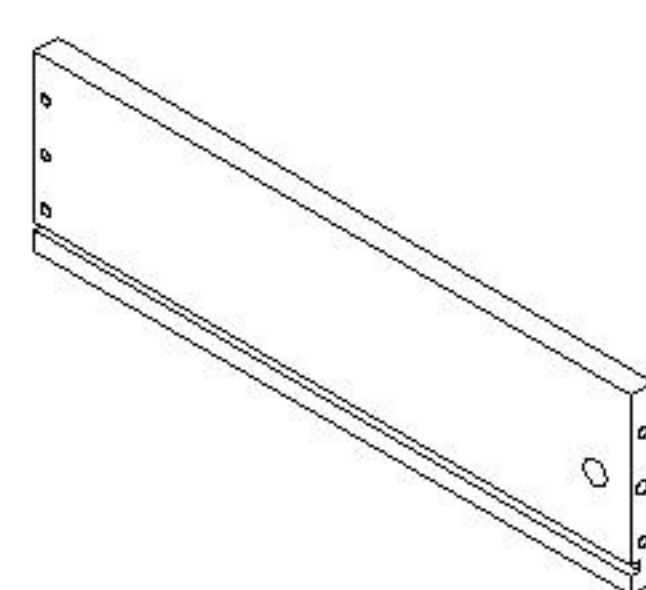
1pc

Q Left Small Drawer Side



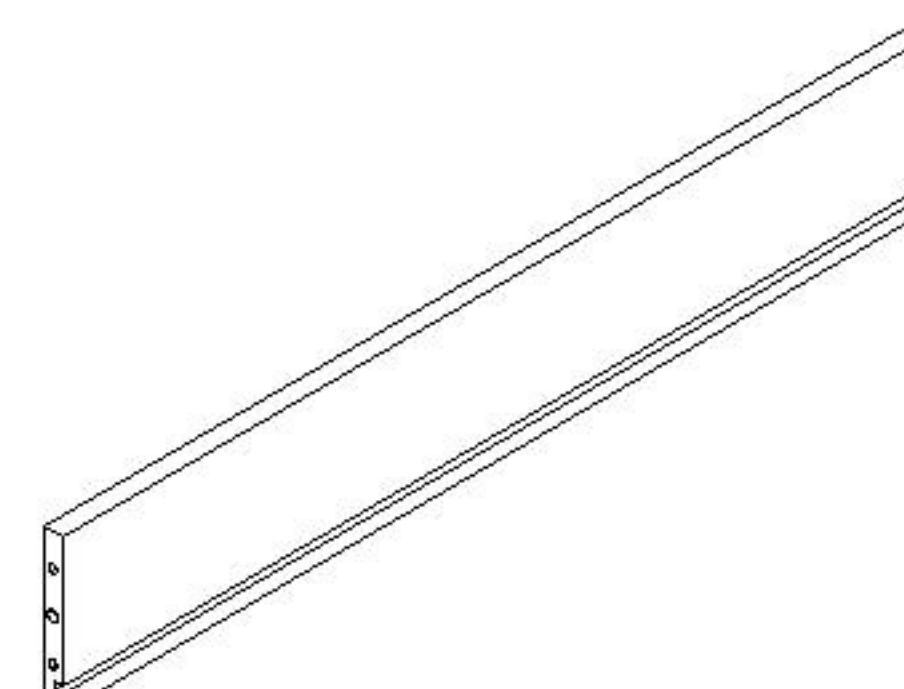
2pcs

R Right Small Drawer Side



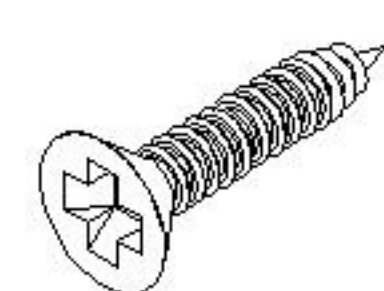
2pcs

S Small Drawer Back



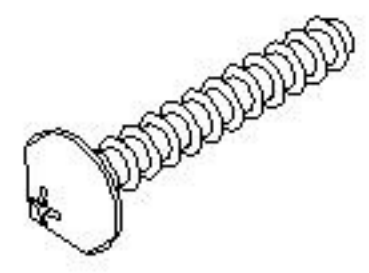
2pcs

T Screw M3 x 16mm



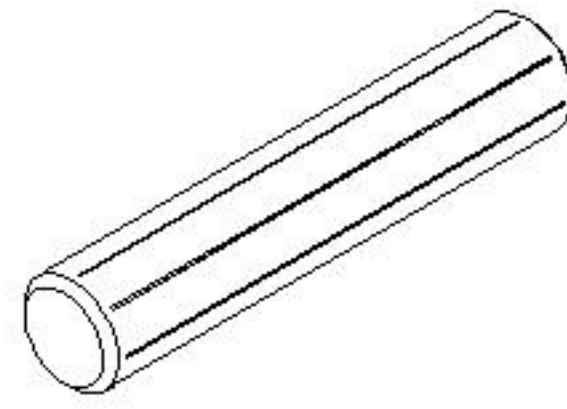
72pcs

U Panhead Screw
M4 x 22mm



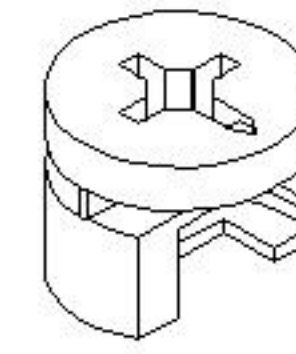
6pcs

V Dowel
M8 x 35mm



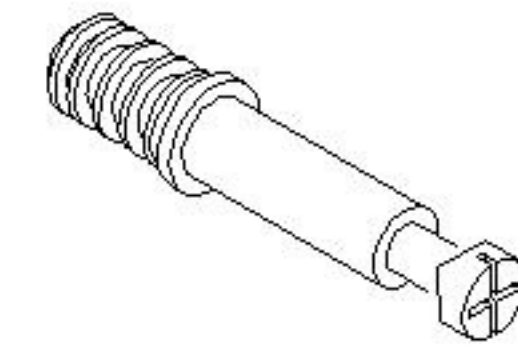
20pcs

W Cam Lock
15 x 12mm



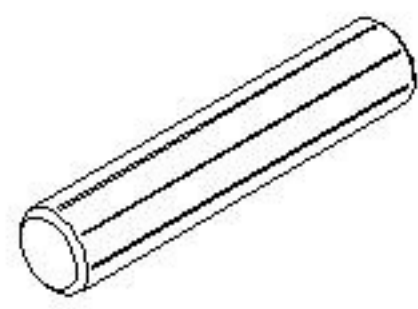
38pcs

X Cam Bolt
5 x 25mm



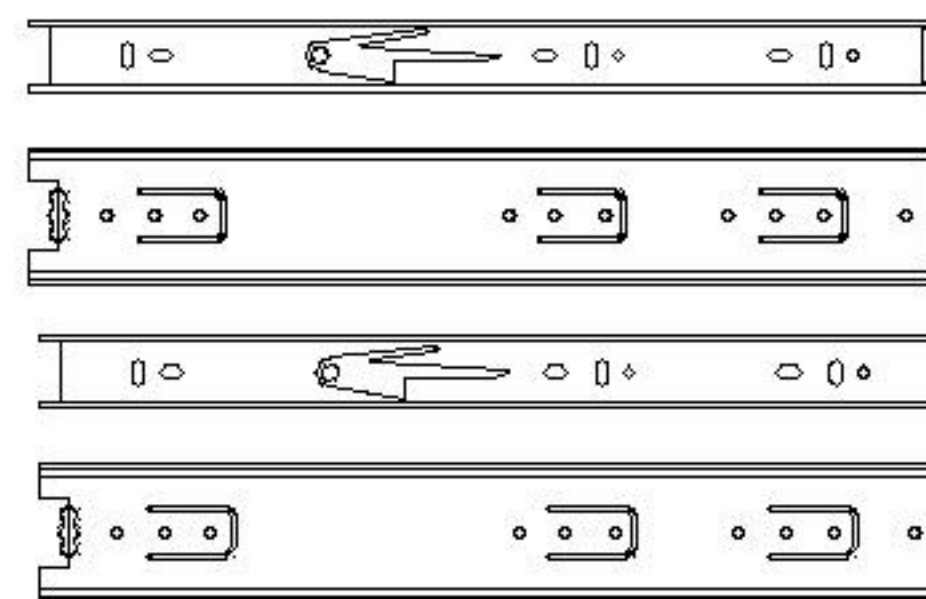
38pcs

Y Dowel
M6 x 30mm



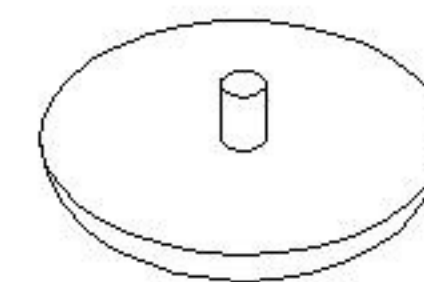
80pcs

Z Runner
250mm



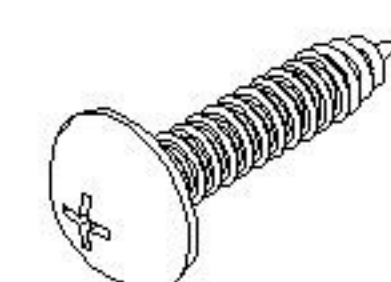
6sets

AA Cam Lock Cover
17 x 5mm



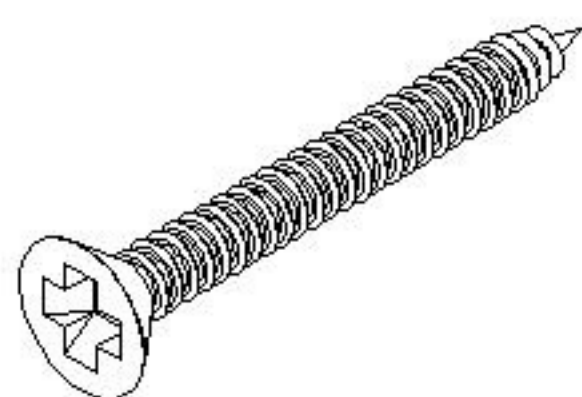
38pcs

AB Panhead Screw
M4 x 16mm-Black



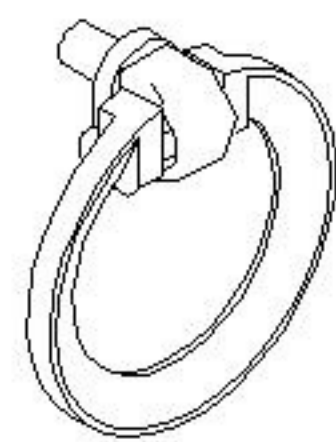
28pcs

AC Screw
M4 x 38mm



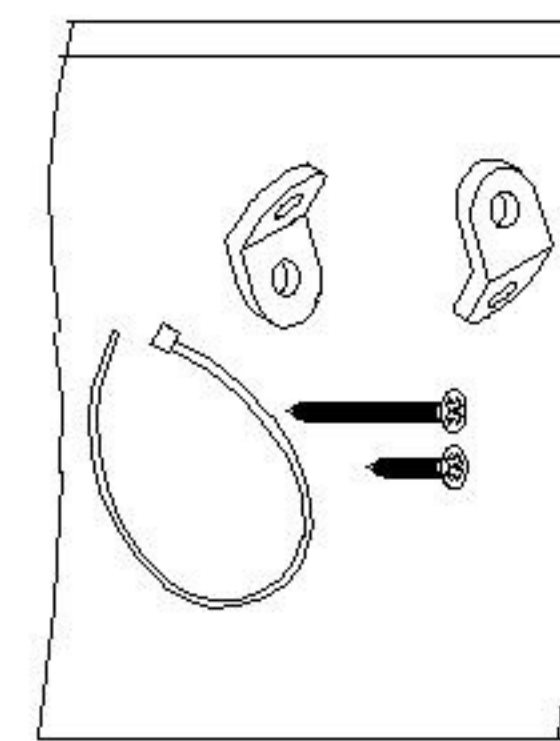
14pcs

AD Handle

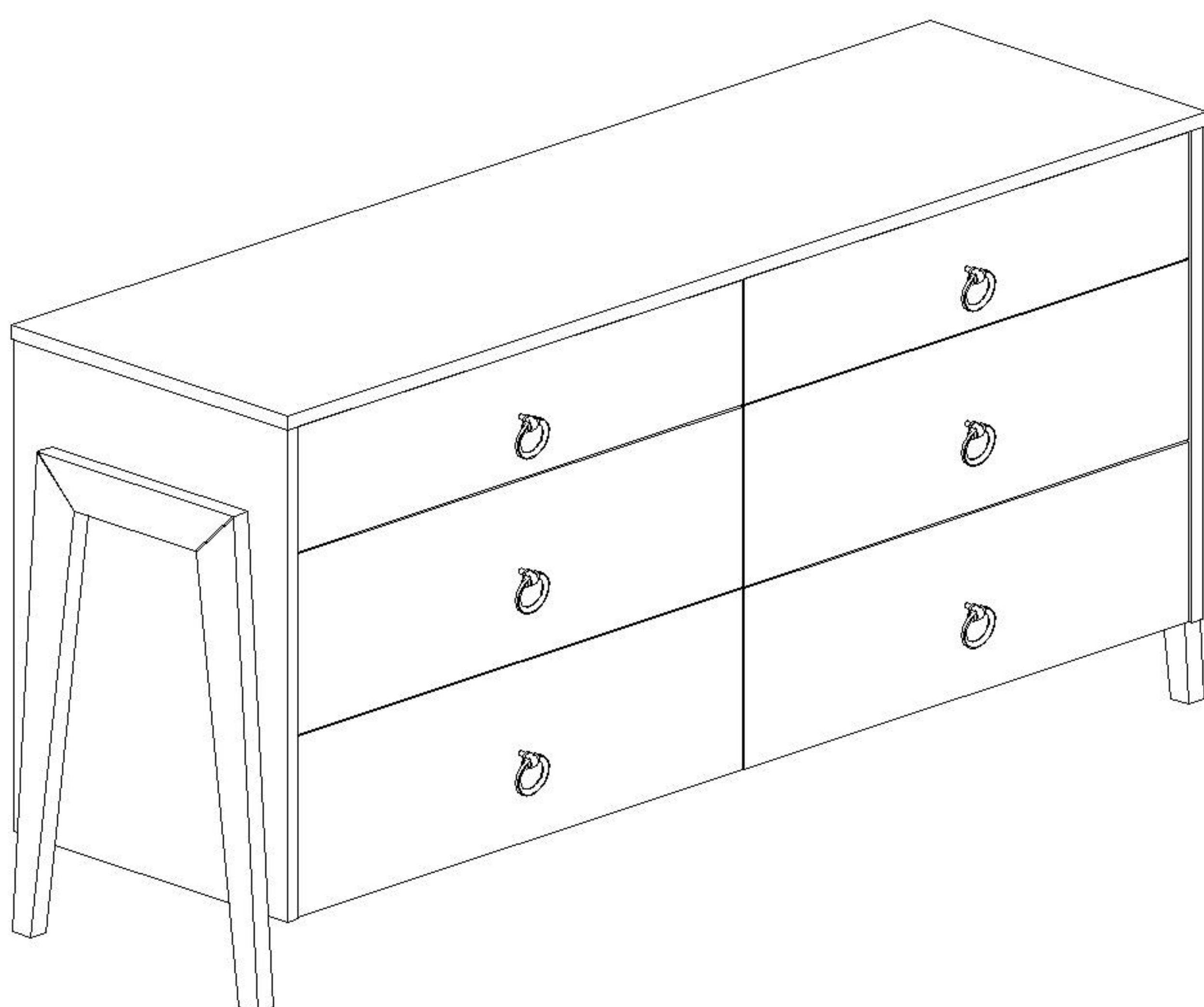


6pcs

AE Anti-Tipping Kit



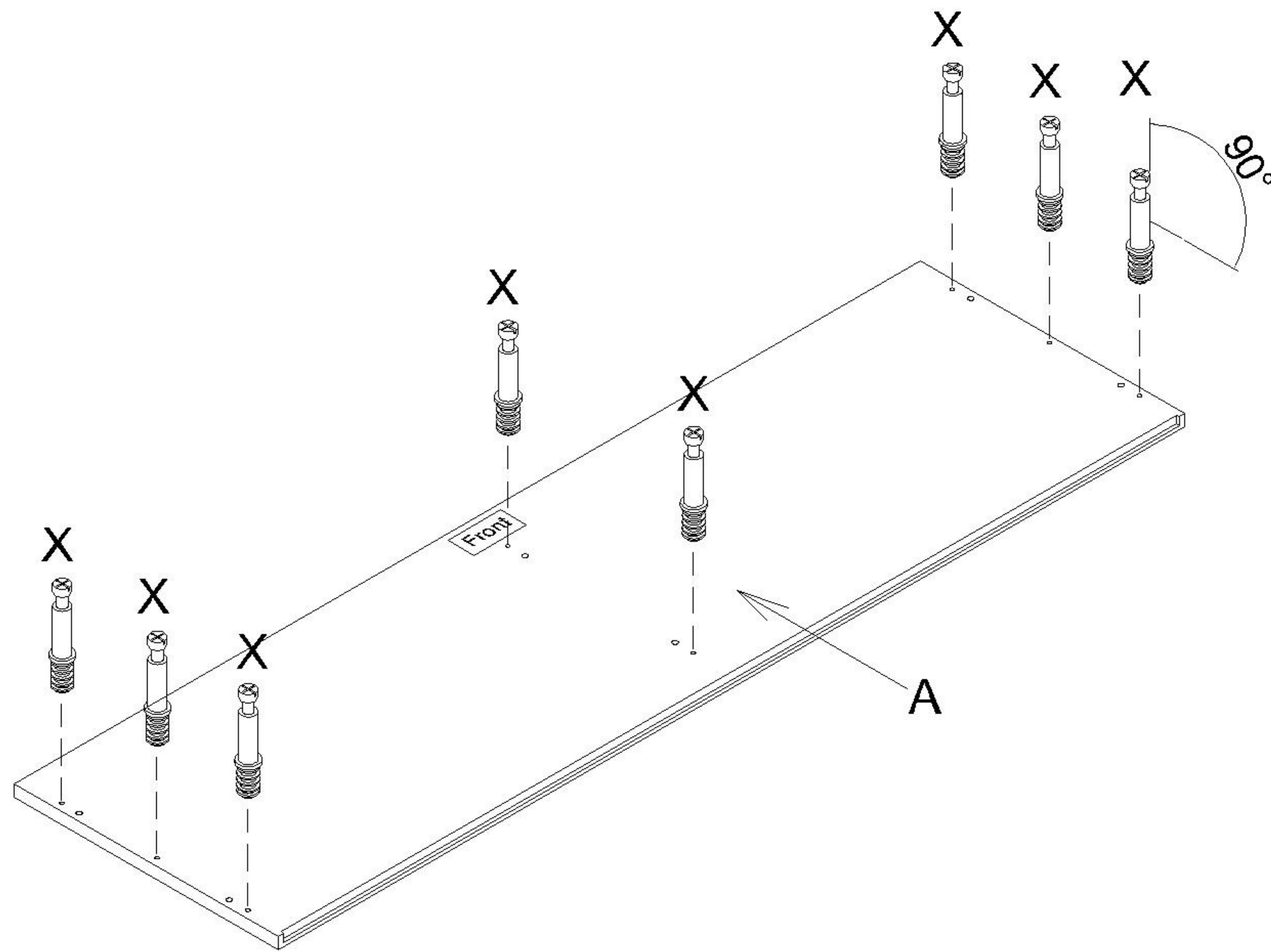
1set



These pages list all the contents included in the box. Please take the time to identify the hardware as well as the individual components to this product. As you unpack and prepare for assembly, place the contents on a carpeted or padded area to protect them from damage.

1

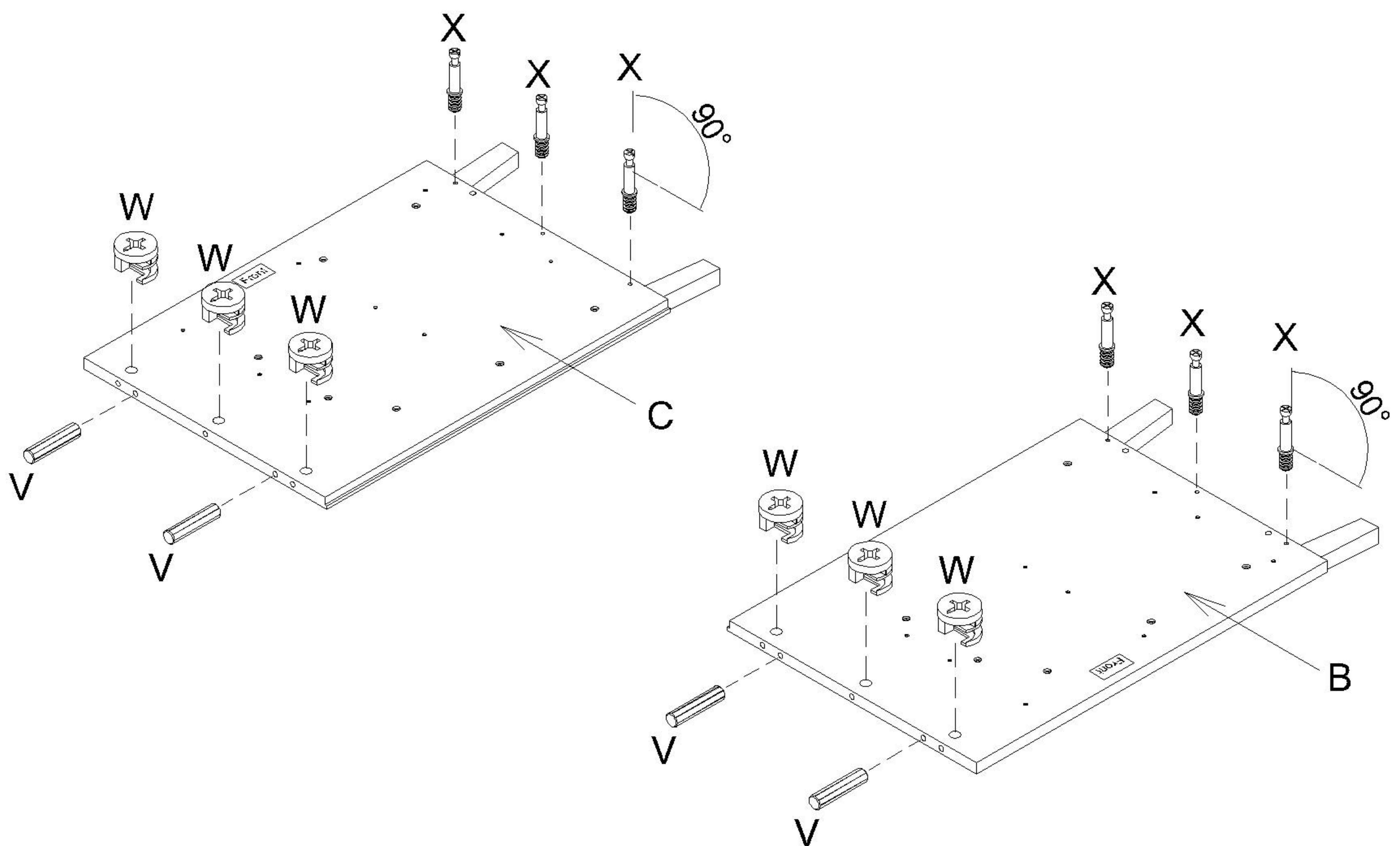
Attach Cam Bolt (X) to Top Panel (A).



2

Attach Dowel (V), Cam Lock (W) and Cam Bolt (X) to Left & Right Side Panel (B & C).

NOTE : - Make sure arrows on each Cam Lock (W) points towards nearest edge with holes.



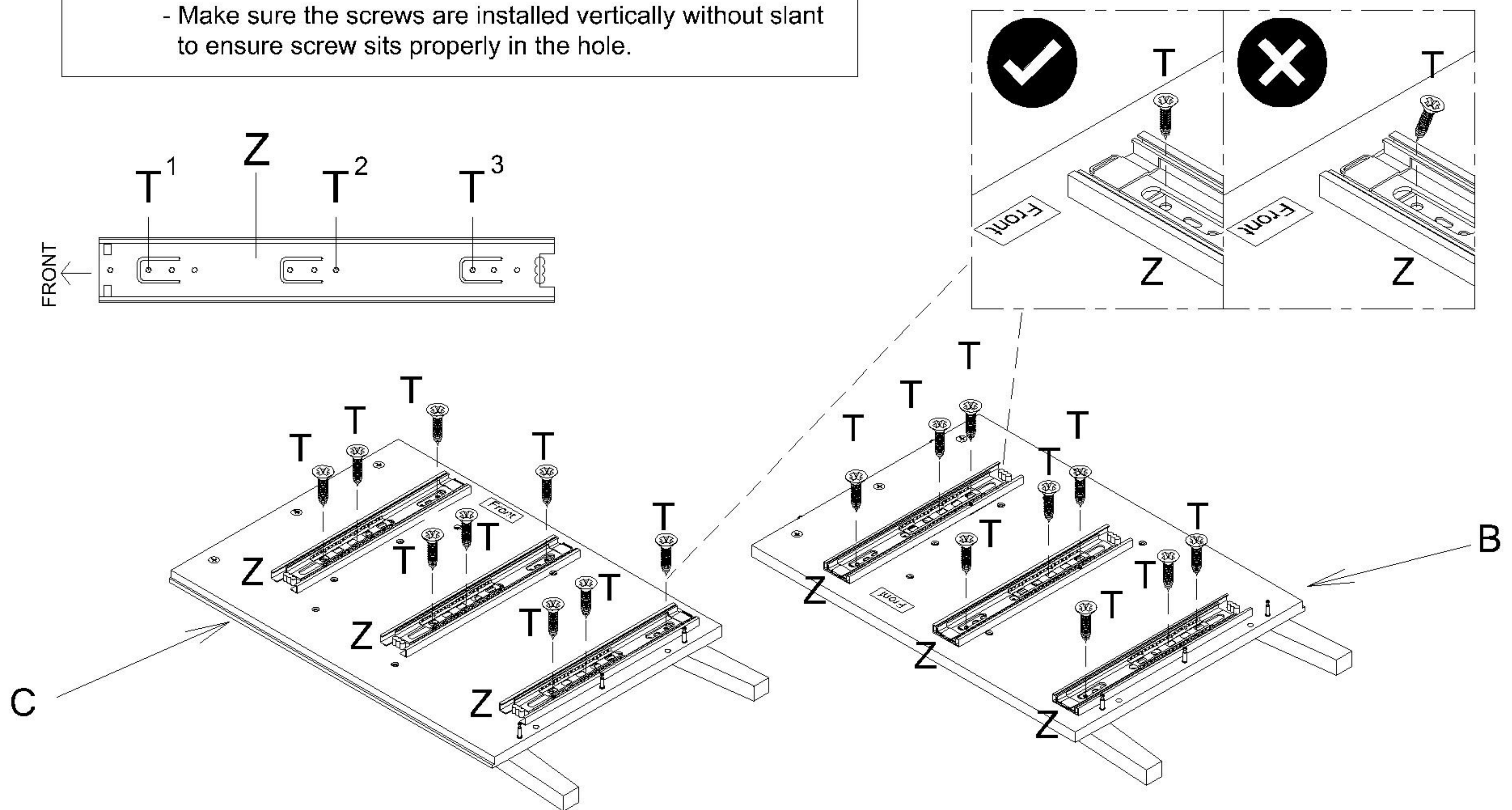
3

3

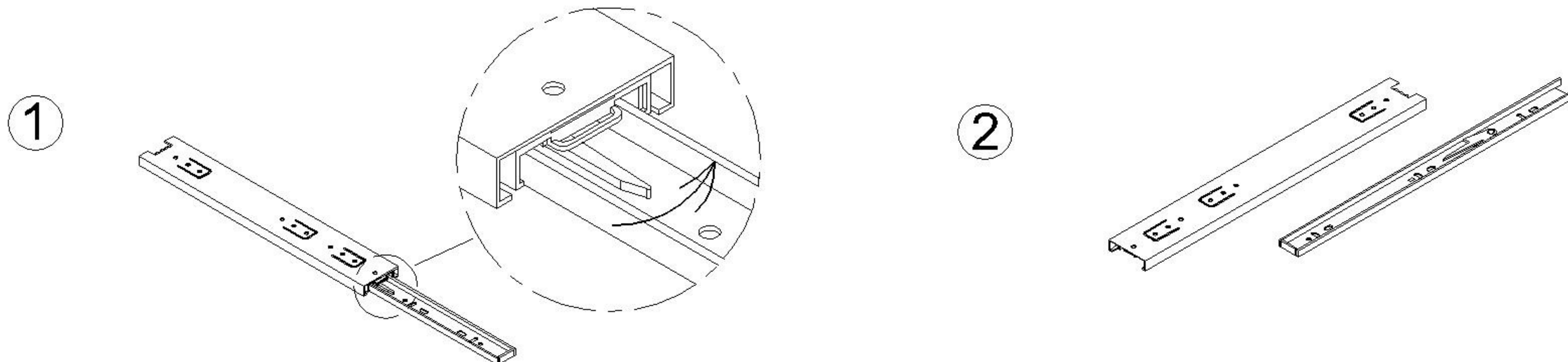
Attach Runner (Z) to Left & Right Side Panel (B & C) and secure with Screw (T).

NOTE : - Do not over tighten the Screw (T).

- Screw (T) should be assembled from the front of the runner.
- Start from T¹, T² then T³.
- Make sure the screws are installed vertically without slant to ensure screw sits properly in the hole.



EXTENSION RUNNER DISASSEMBLE STEPS:

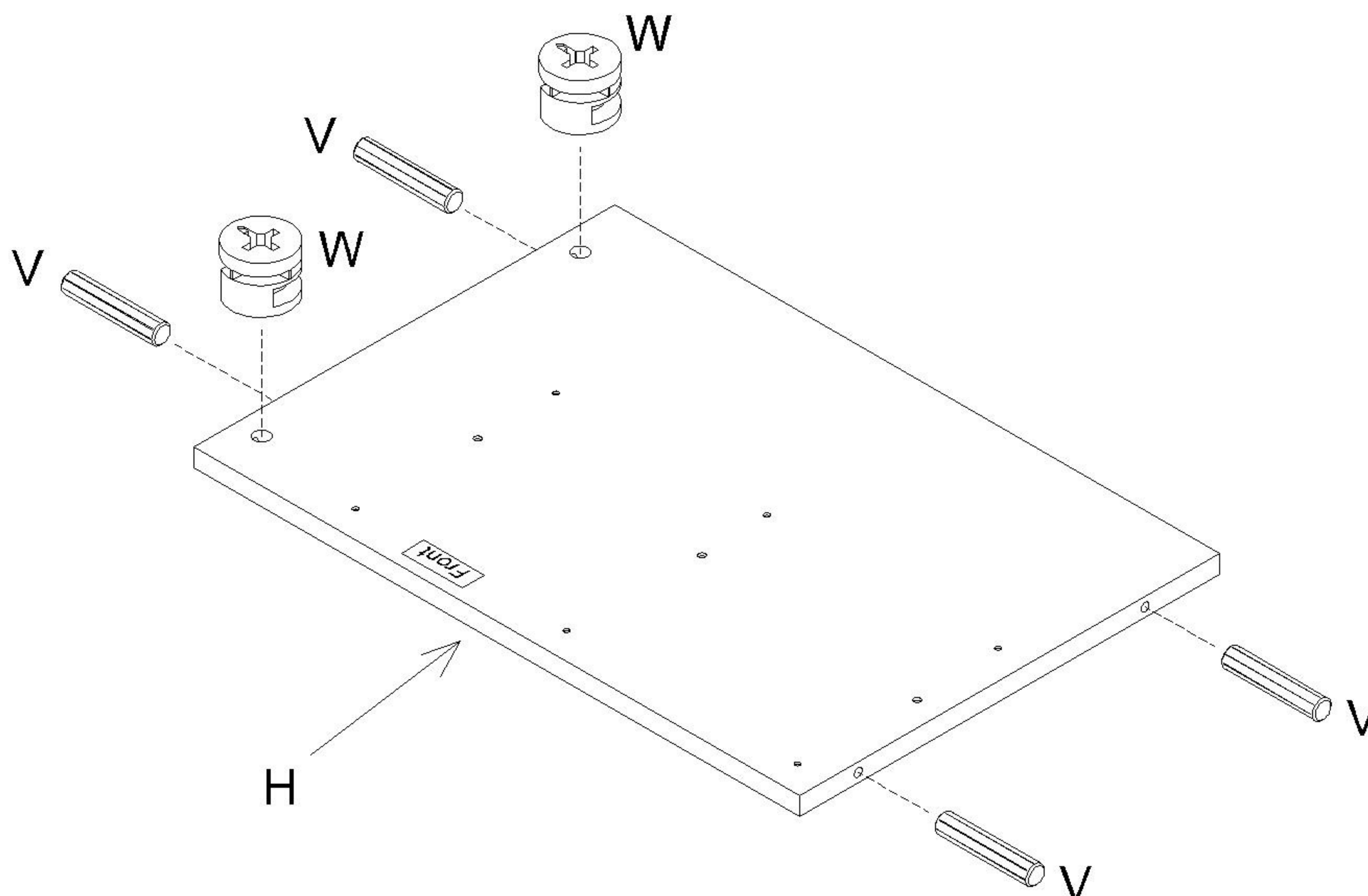


Disassemble the Runner (Z) to 2 parts. Fix 1 part on the Left & Right Side Panel (B & C) and fix the other part on the Left & Right Big Drawer Side (K & L) and Left & Right Small Drawer Side (Q & R).

4

Attach Dowel (V) and Cam Lock (W) to Partition (H).

NOTE : - Make sure arrows on each Cam Lock (W) points towards nearest edge with holes.

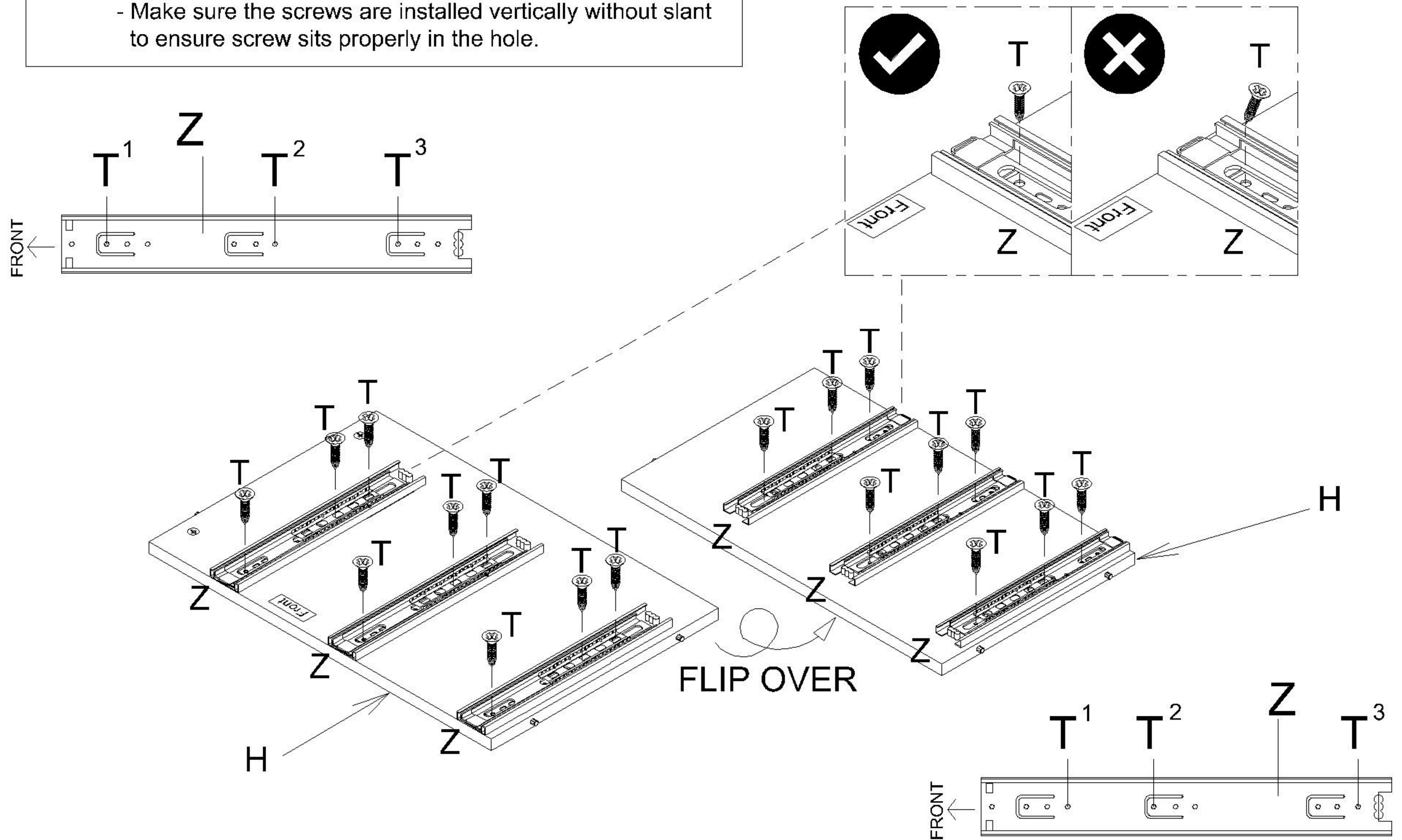


5

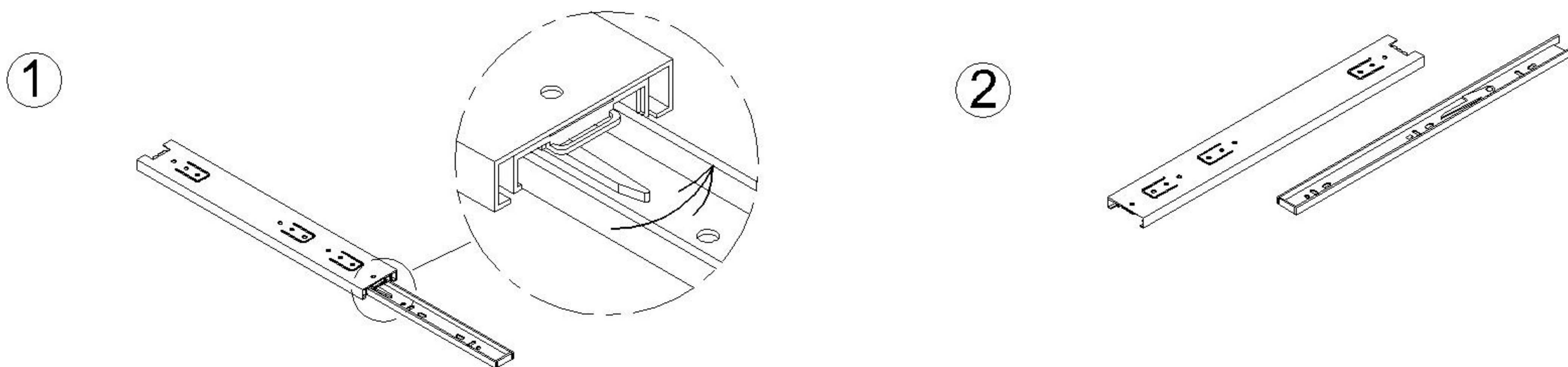
Attach Runner (Z) to both sides of Partition (H) and secure with Screw (T).

NOTE : - Do not over tighten the Screw (T).

- Screw (T) should be assembled from the front of the runner.
- Start from T¹, T² then T³.
- Make sure the screws are installed vertically without slant to ensure screw sits properly in the hole.



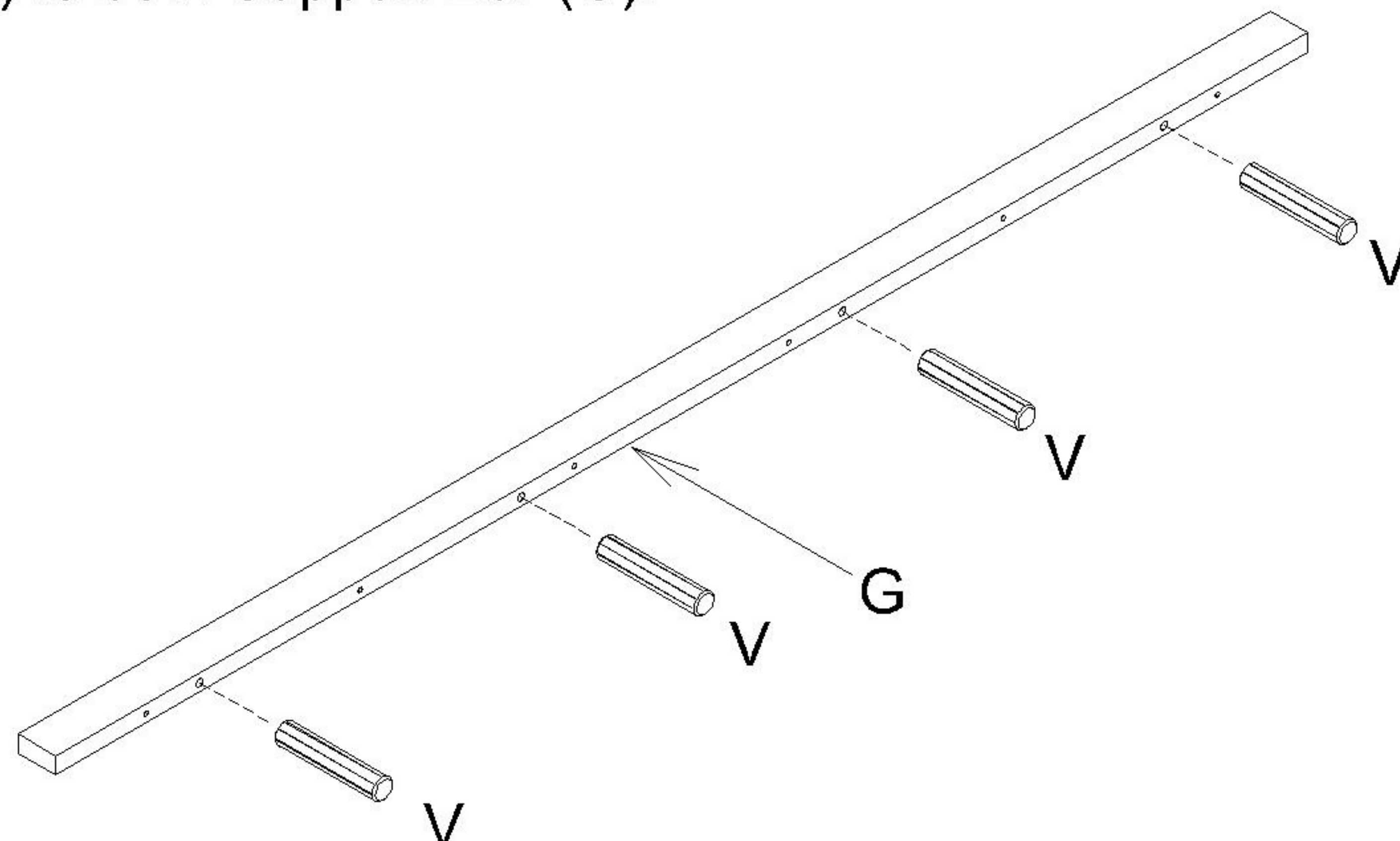
EXTENSION RUNNER DISASSEMBLE STEPS:



Disassemble the Runner (Z) to 2 parts. Fix 1 part on the Partition (H) and fix the other part on the Left & Right Big Drawer Side (K & L) and Left & Right Small Drawer Side (Q & R).

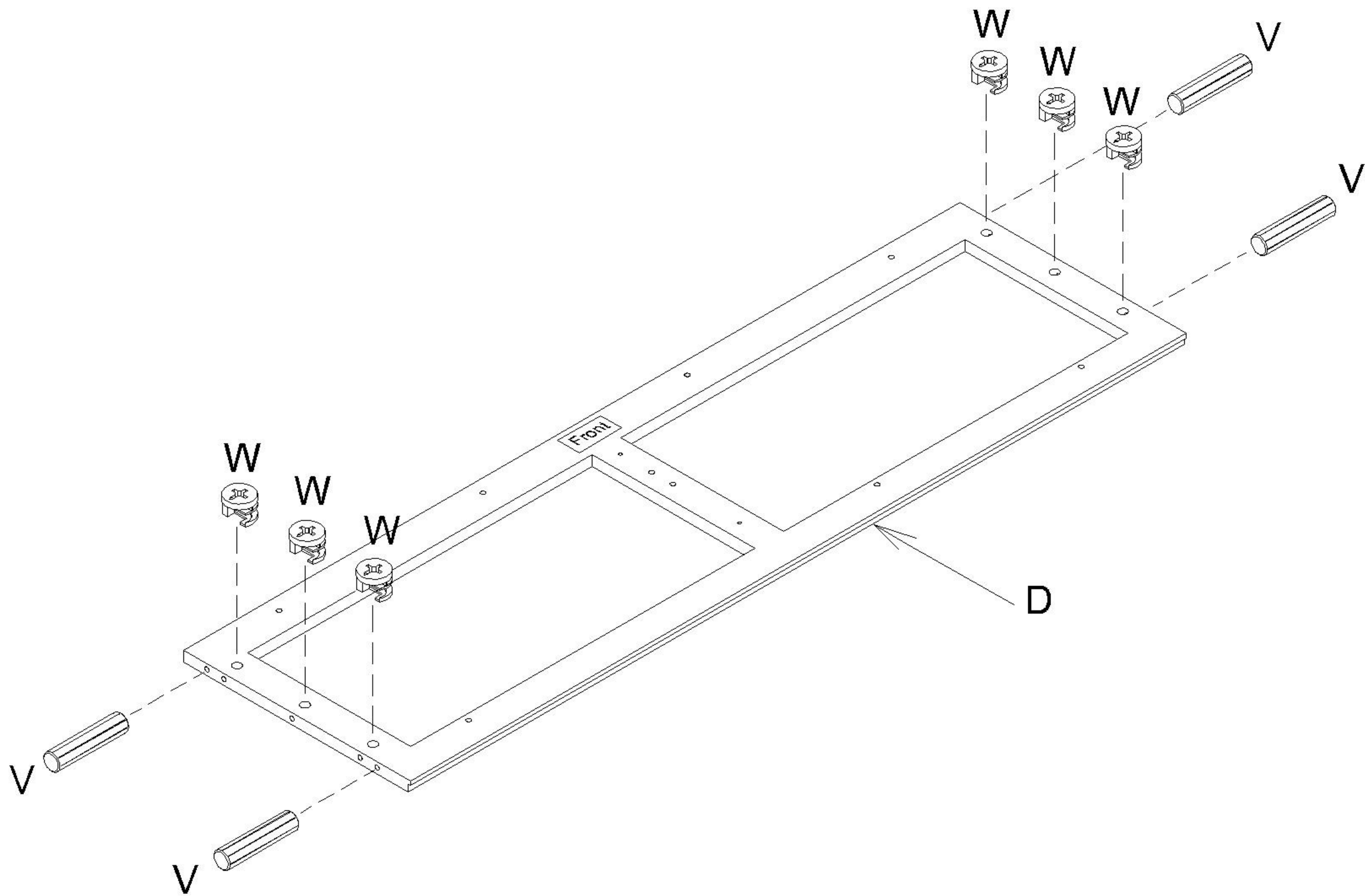
6

Attach Dowel (V) to both Support Bar (G).

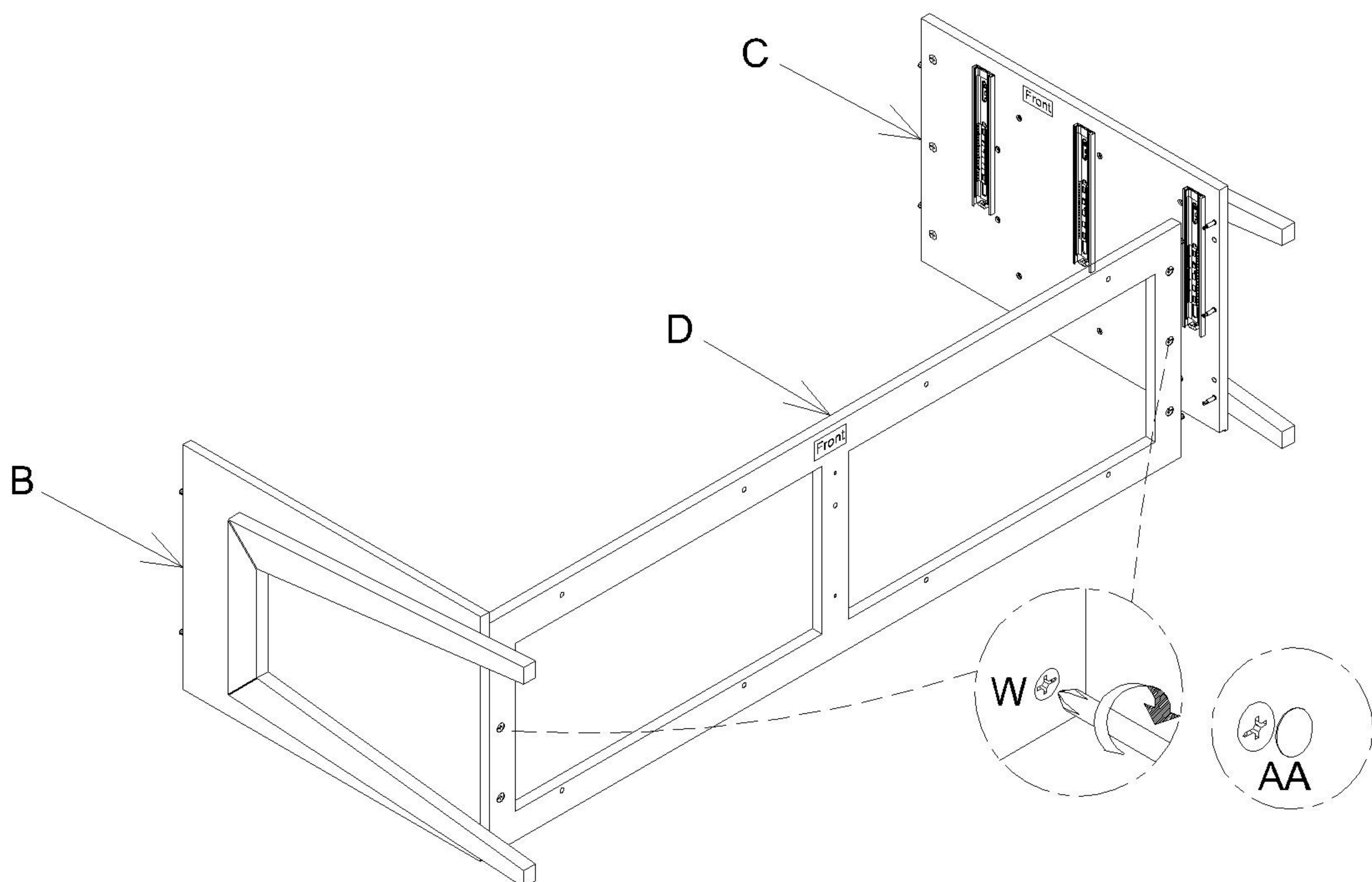


7**Attach Dowel (V) and Cam Lock (W) to Bottom Frame (D).**

NOTE : - Make sure arrows on each Cam Lock (W) points towards nearest edge with holes.

**8****Attach Bottom Frame (D) to Left & Right Side Panel (B & C) and secure with the Cam Lock (W) attached in the Step 7. Cover Cam Lock (W) with Cam Lock Cover (AA).**

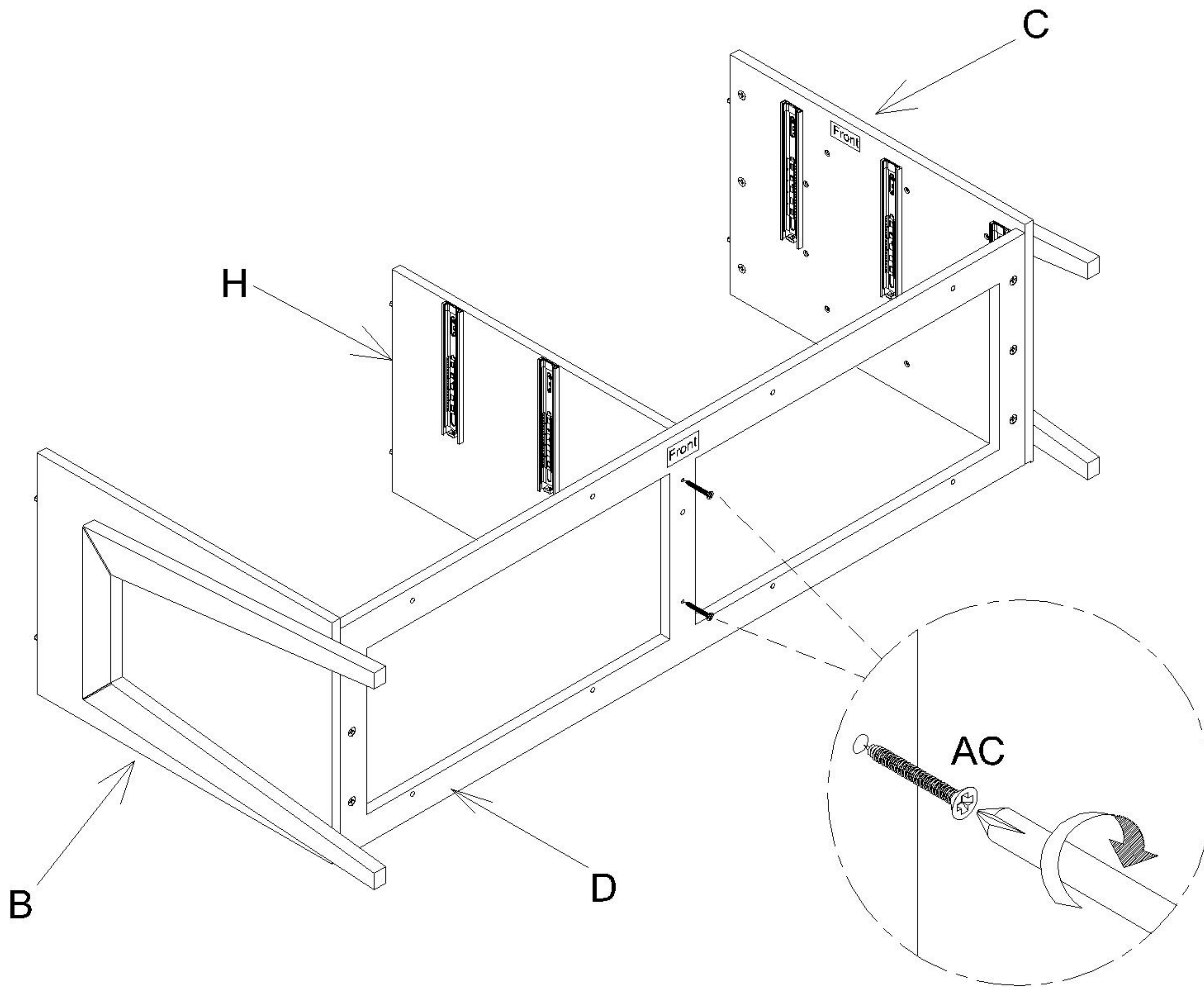
NOTE : - Do not over tighten the Cam Lock (W).



9

Attach Partition (H) to Bottom Frame (D) and secure with Screw (AC).

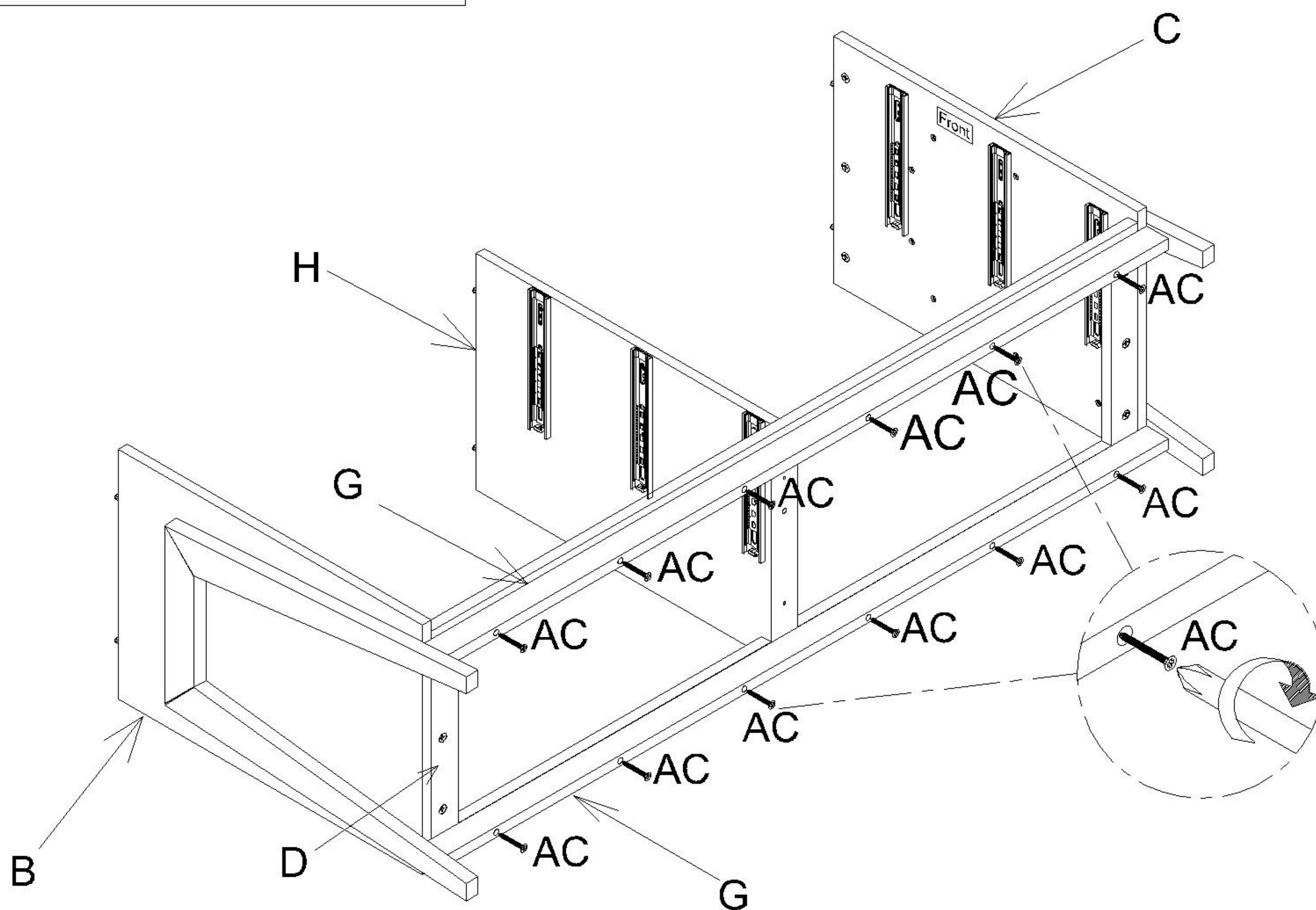
NOTE :- Do not over tighten the Screw (AC).



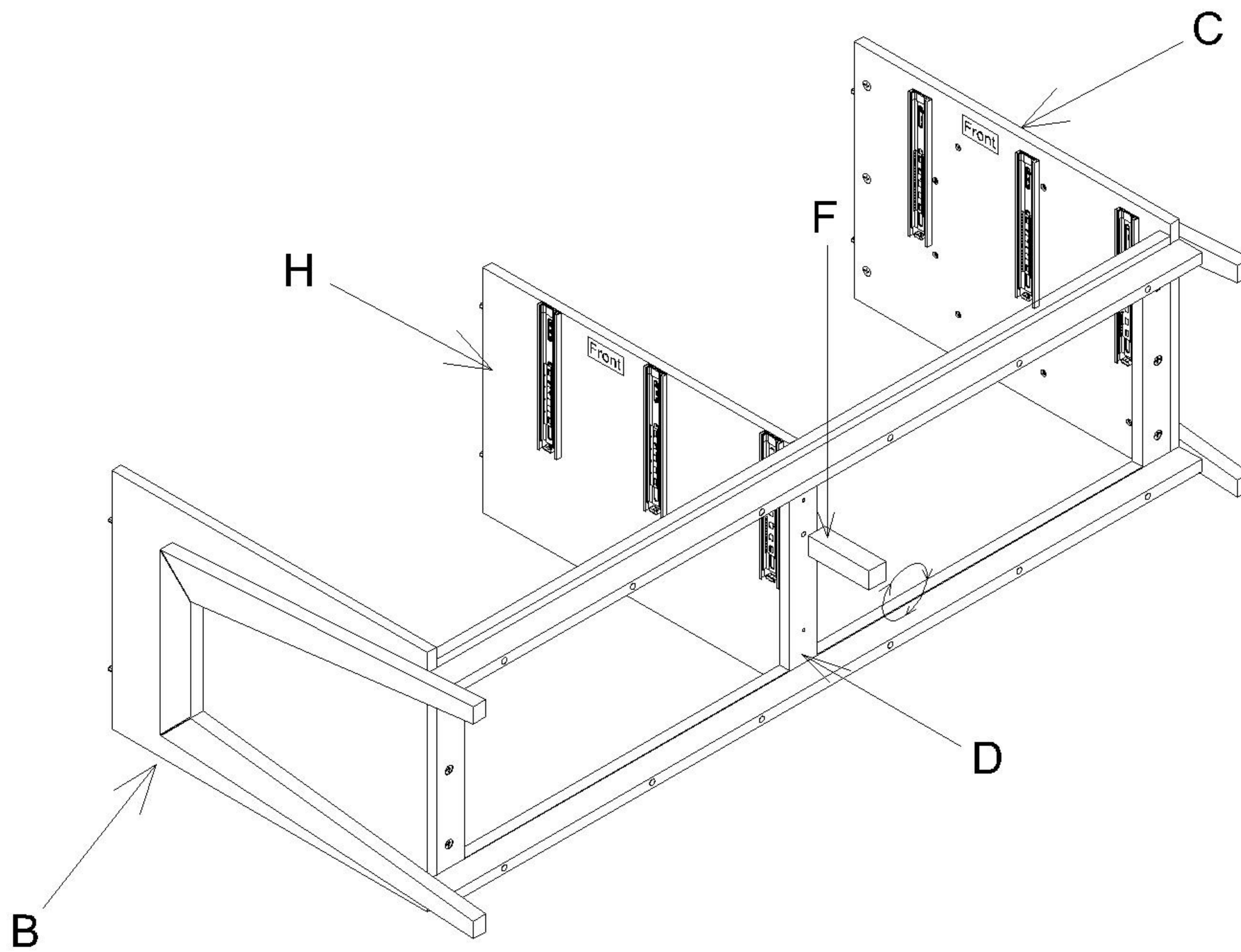
10

Attach Support Bar (G) to underneath of Bottom Frame (D) and secure with Screw (AC).

NOTE :- Do not over tighten the Screw (AC).

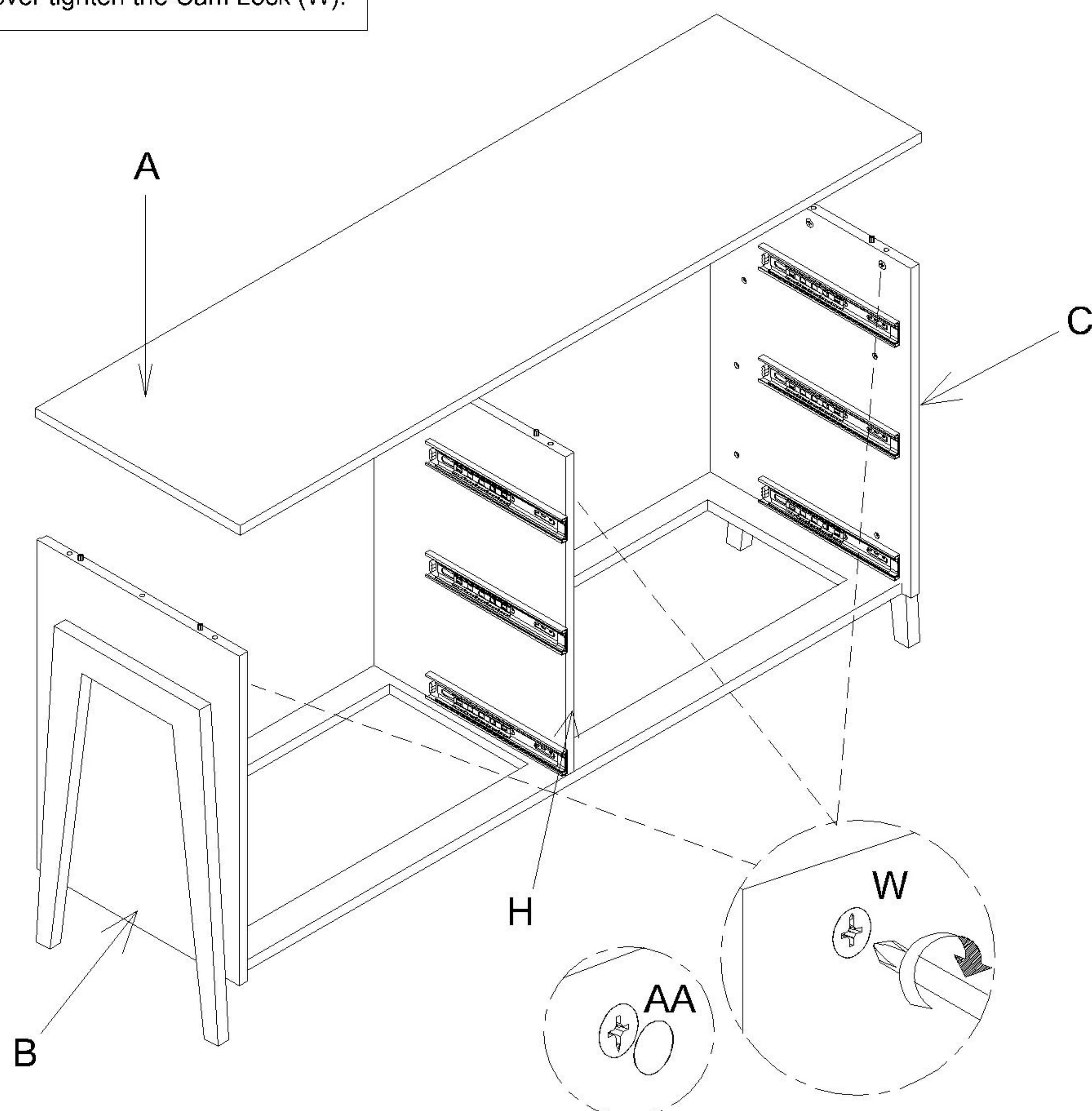


11 Attach Support Stand (F) to Bottom Frame (D) and turn clockwise to secure.



12 Stand the assembled unit up. Attach Top Panel (A) to the assembled unit and secure with the Cam Lock (W) attached in the Step 2 and Step 4. Cover Cam Lock (W) with Cam Lock Cover (AA).

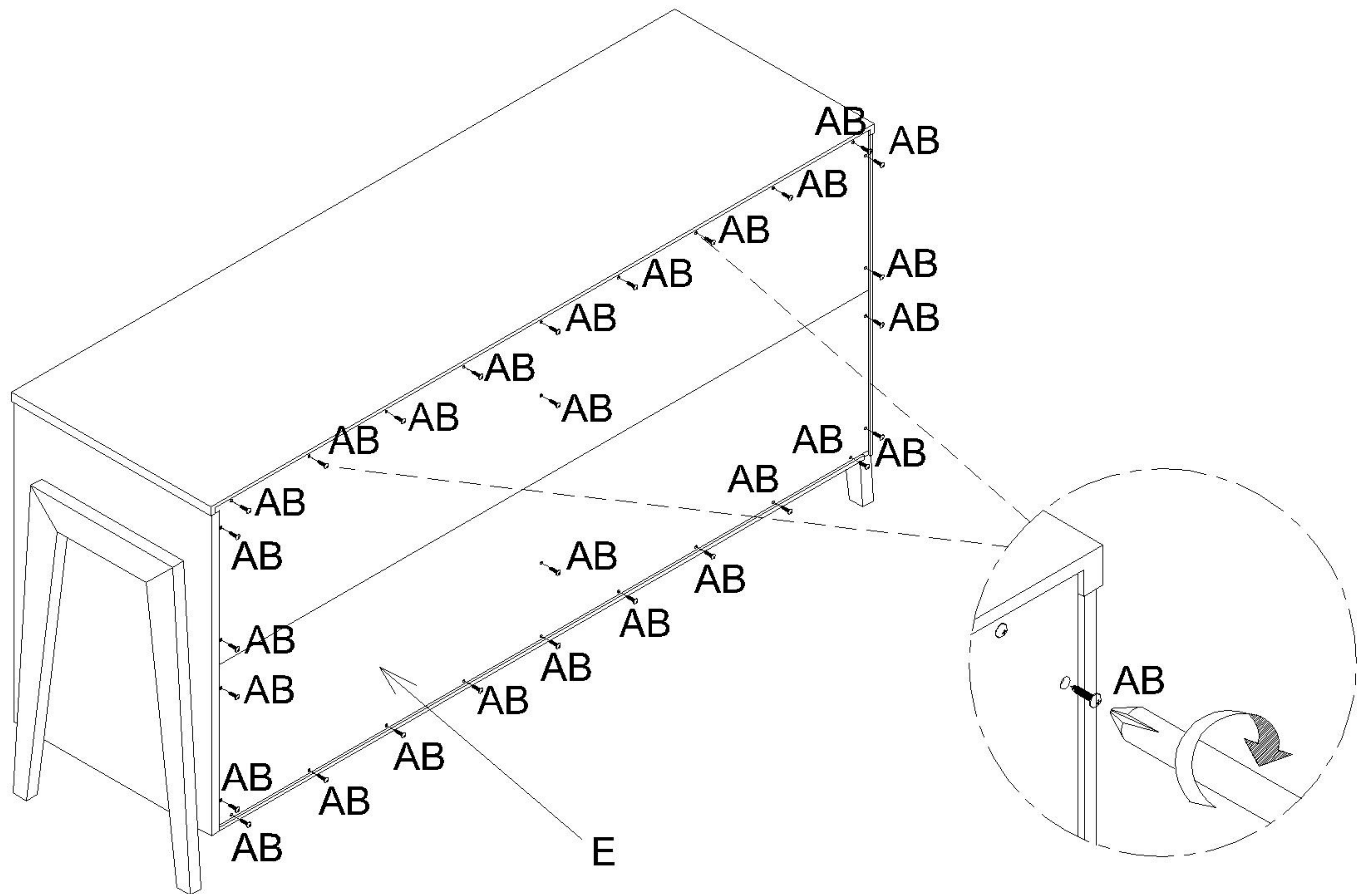
NOTE : - Do not over tighten the Cam Lock (W).



13

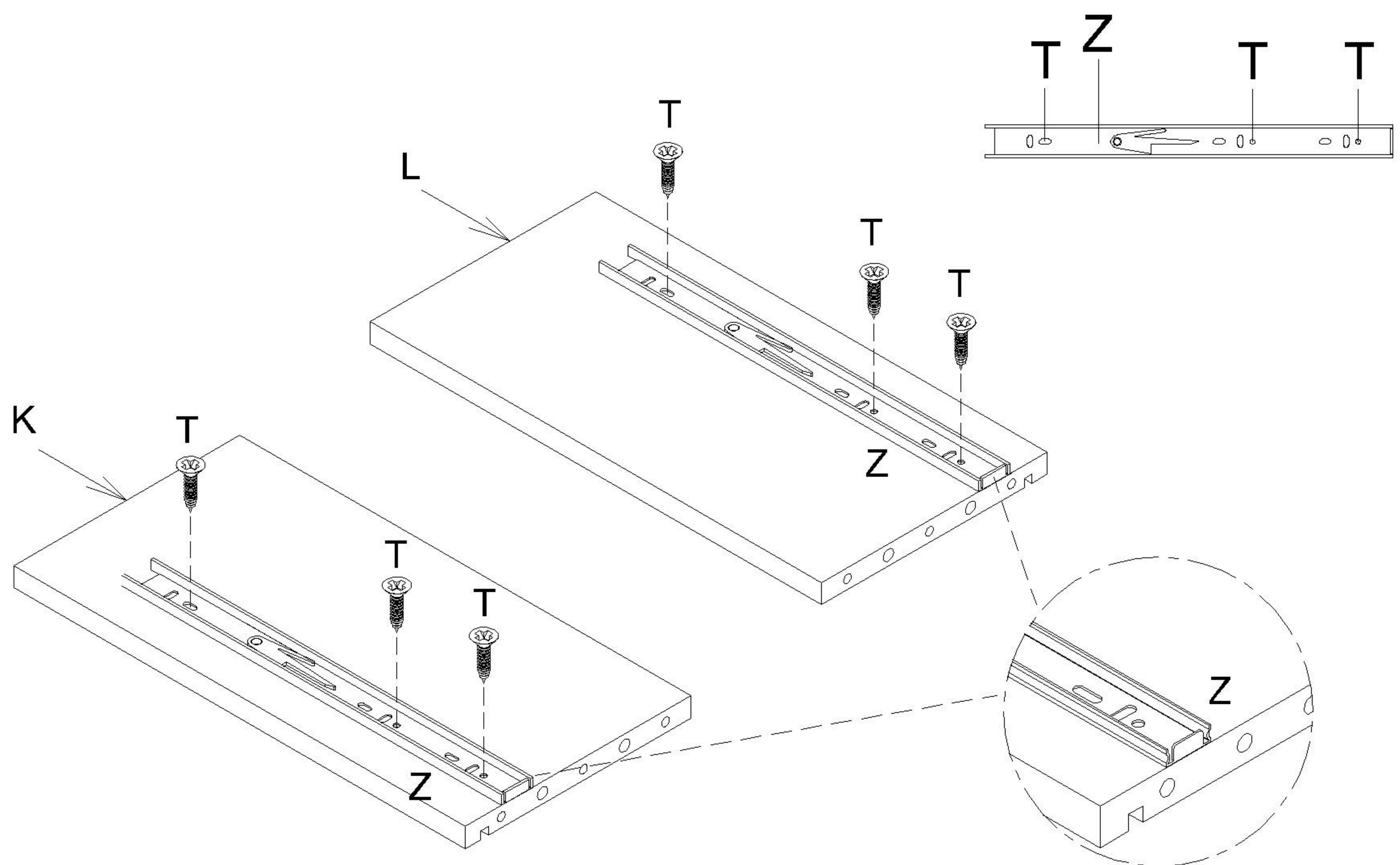
Attach Back Plywood (E) to the assembled unit and secure with Panhead Screw (AB).

NOTE : - Do not over tighten the Panhead Screw (AB).



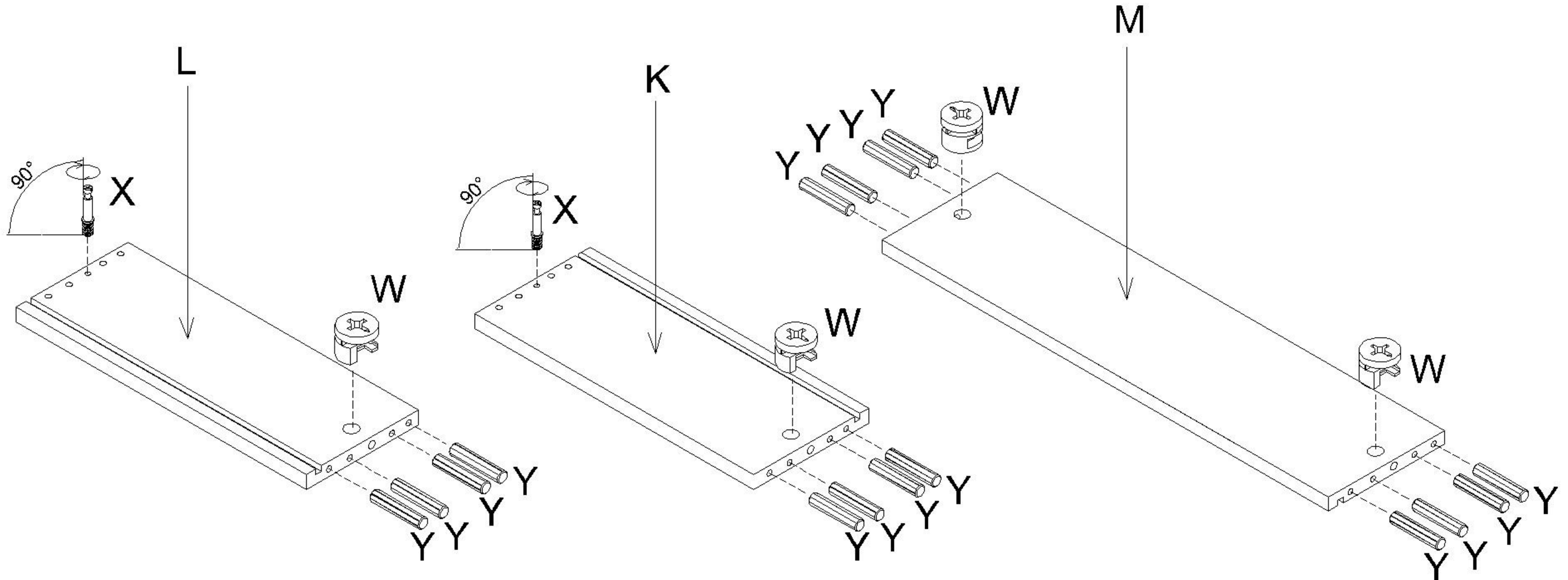
14

Attach Runner (Z) to Left & Right Big Drawer Side (K & L) and secure with Screw (T).



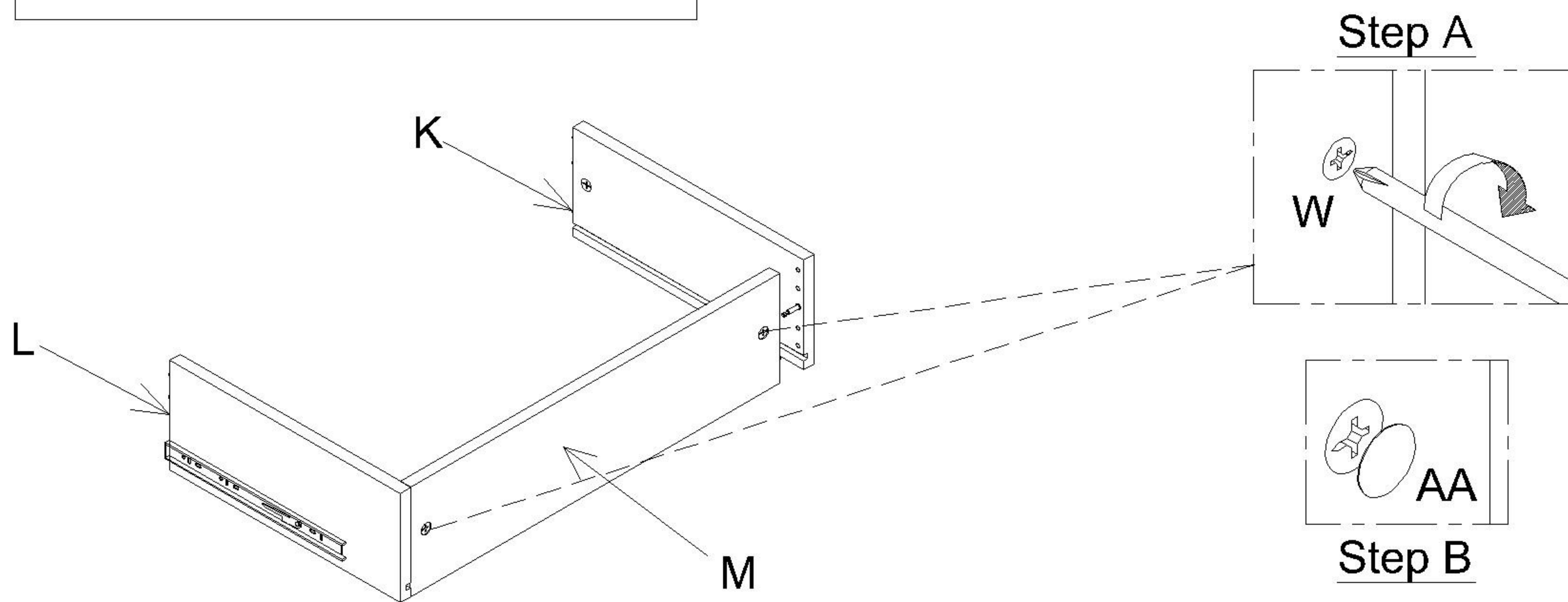
15 Attach Dowel (Y) and Cam Lock (W) to Left & Right Big Drawer Side (K & L) and Big Drawer Back (M). Attach Cam Bolt (X) to Left & Right Big Drawer Side (K & L).

NOTE : - Make sure arrows on each Cam Lock (W) points towards nearest edge with holes.



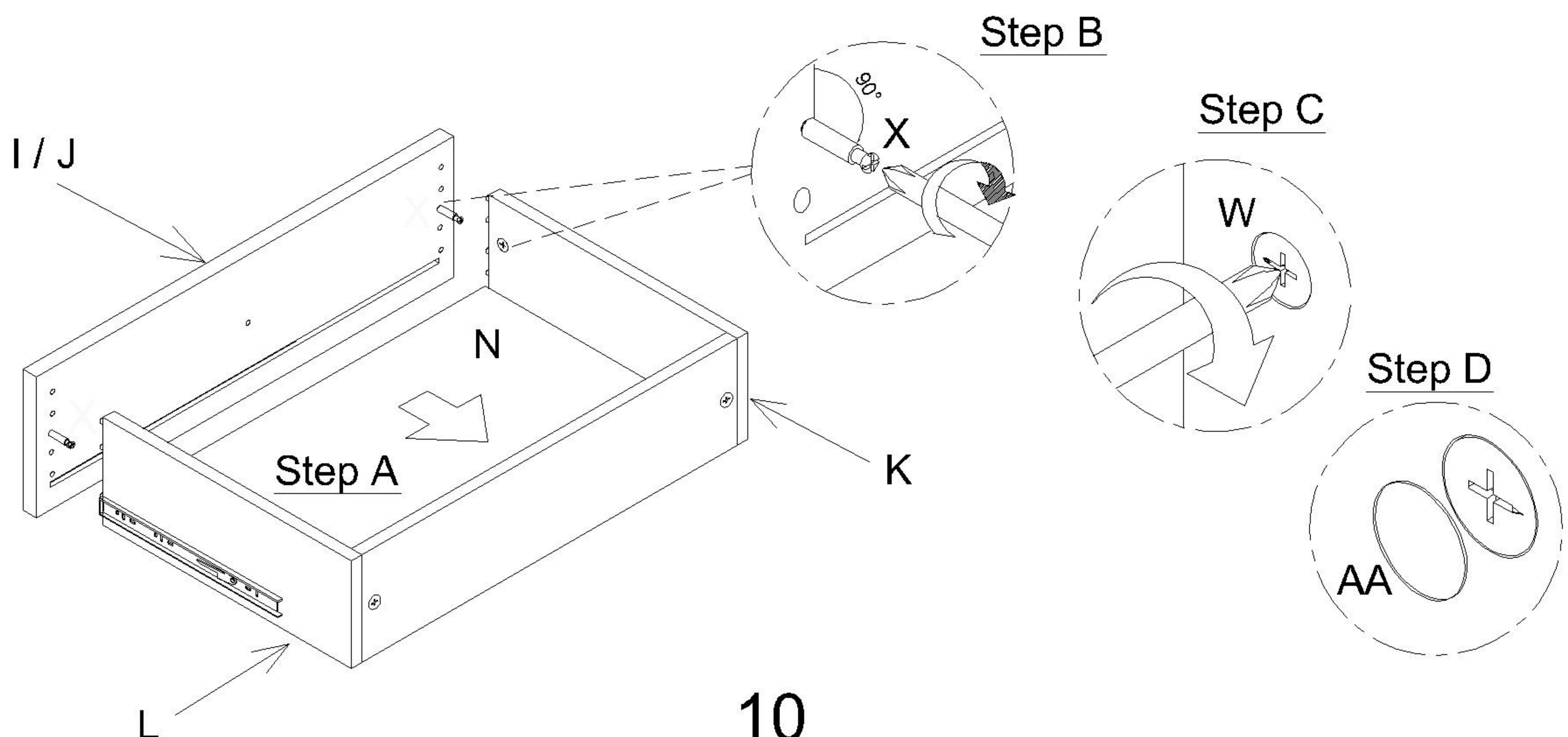
16 Attach Left & Right Big Drawer Side (K & L) to Big Drawer Back (M) and secure with the Cam Lock (W) attached in the Step 15. Cover Cam Lock (W) with Cam Lock Cover (AA).

NOTE : - Do not over tighten the Cam Lock (W).

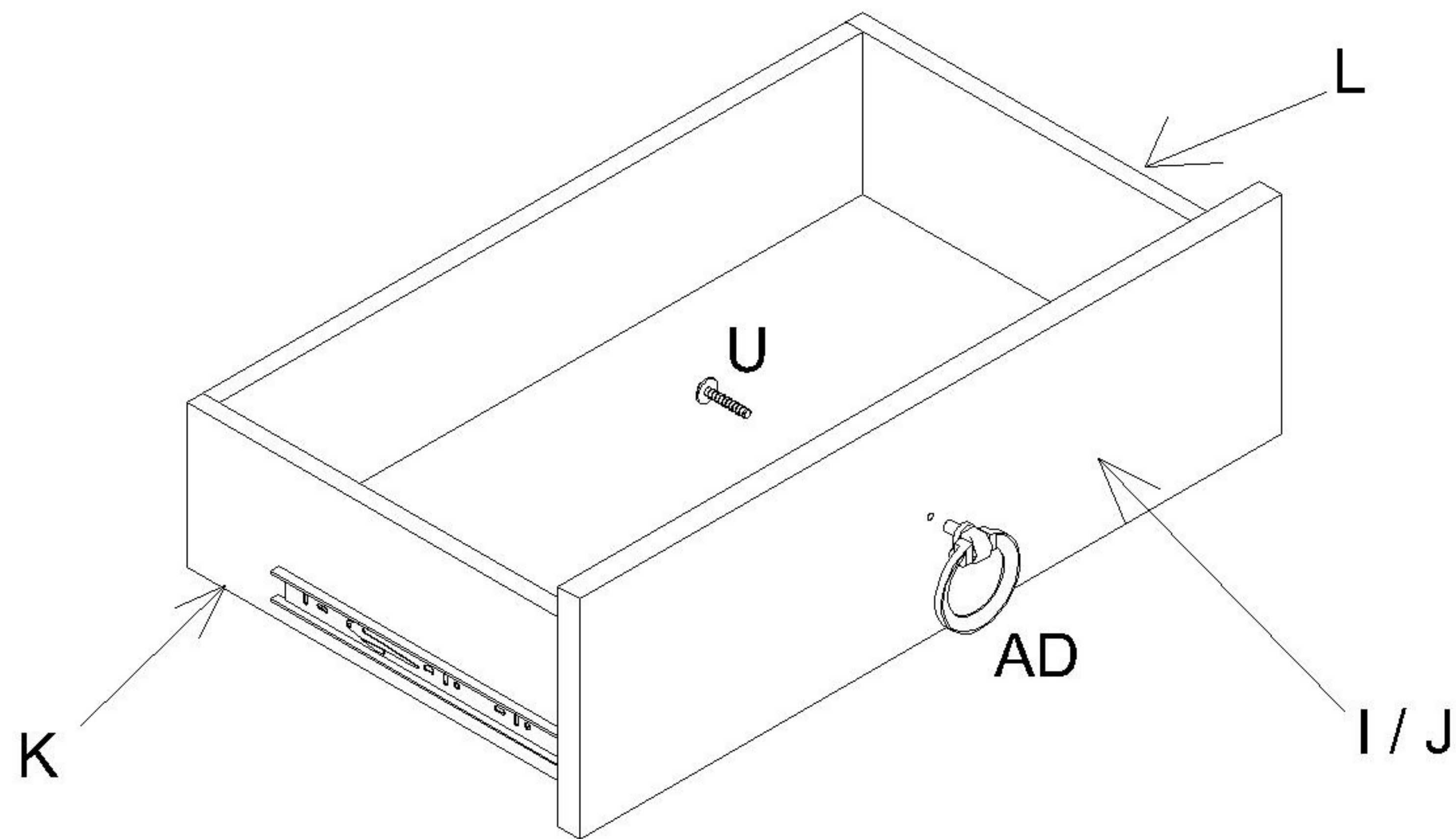


17 Slot Drawer Base (N) into corresponding grooves. Attach Cam Bolt (X) to Left & Right Big Drawer Front (I & J). Attach Left & Right Big Drawer Front (I & J) to Drawer Box and secure with the Cam Lock (W) attached in the Step 15. Cover Cam Lock (W) with Cam Lock Cover (AA).

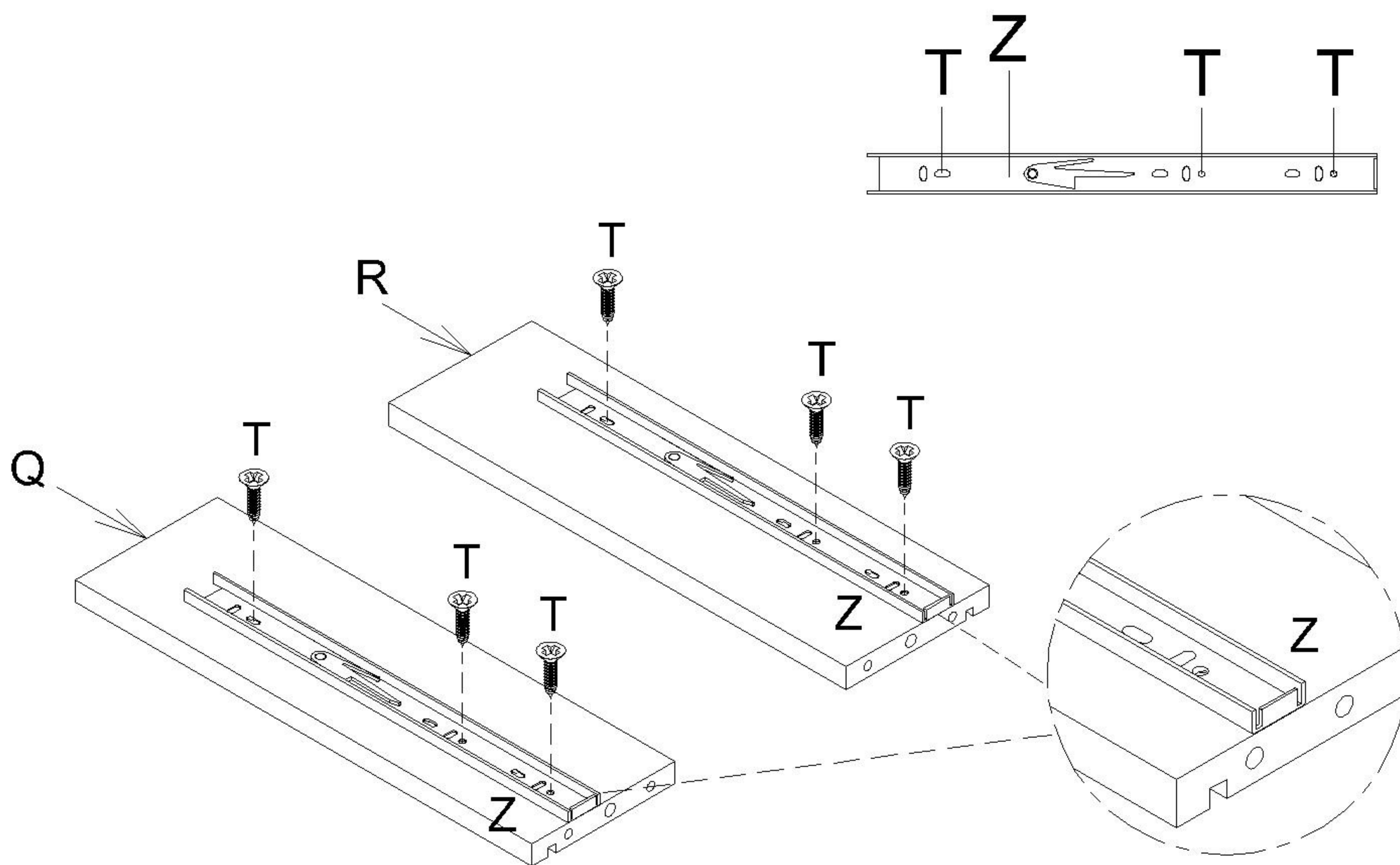
NOTE : - Do not over tighten the Cam Lock (W).



18 Attach Handle (AD) to Left & Right Big Drawer Front (I & J) and secure with Panhead Screw (U).

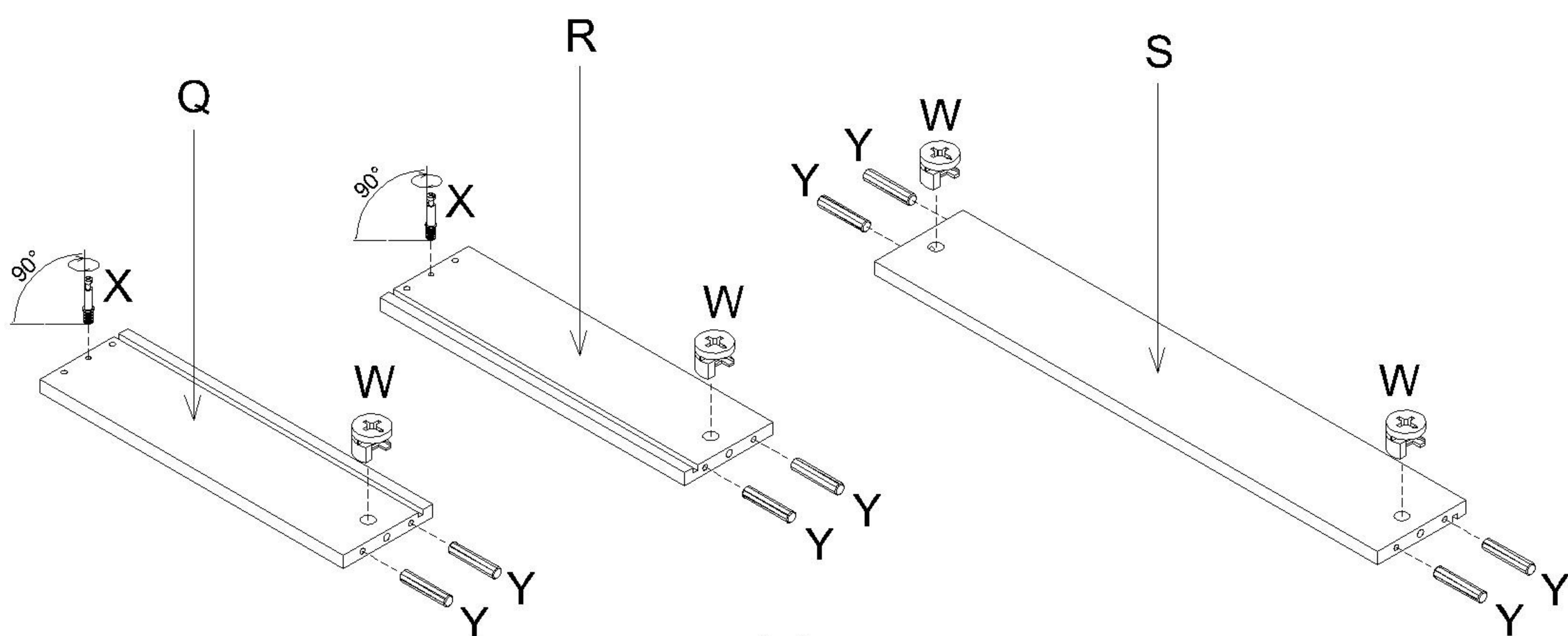


19 Attach Runner (Z) to Left & Right Small Drawer Side (Q & R) and secure with Screw (T).



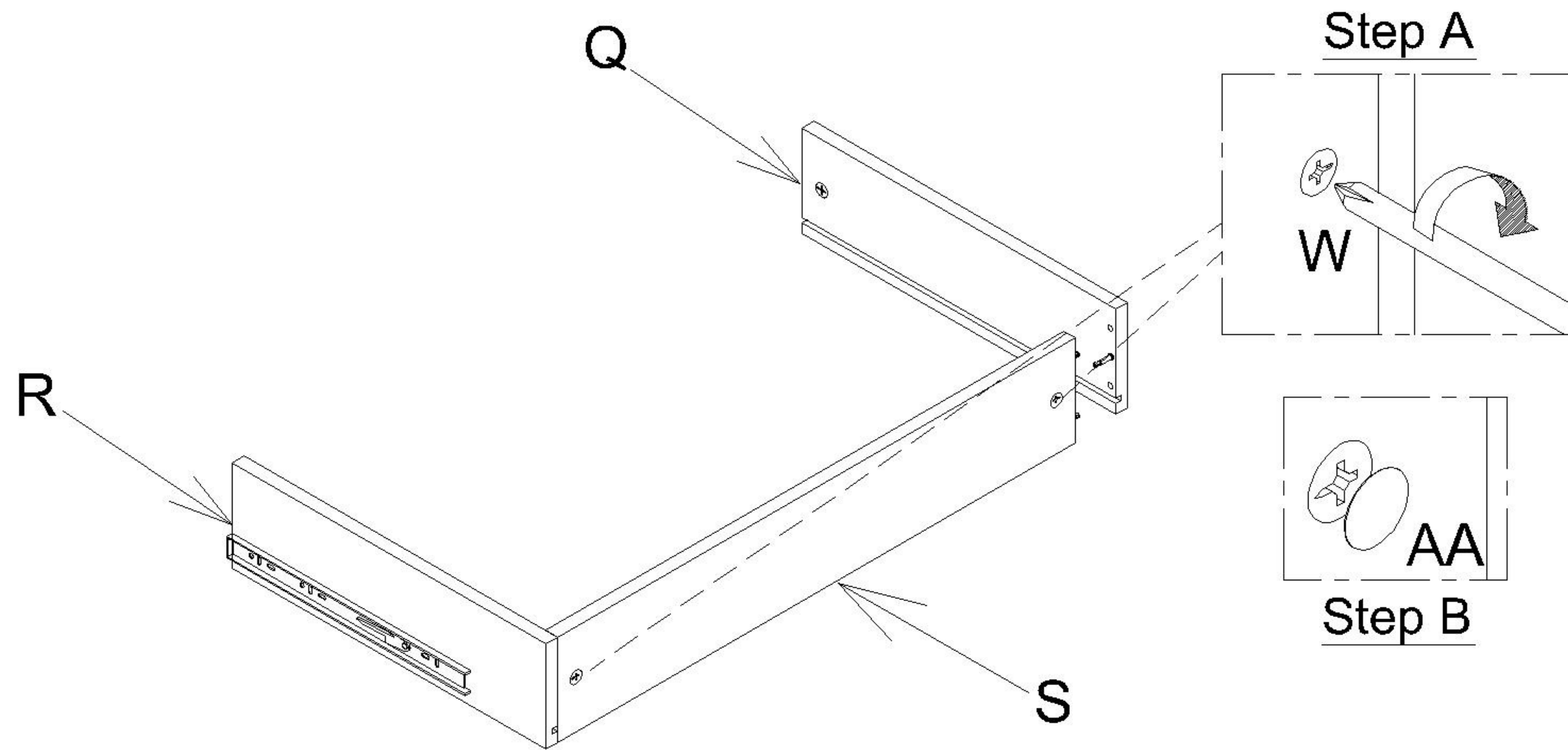
20 Attach Dowel (Y) and Cam Lock (W) to Left & Right Small Drawer Side (Q & R) and Small Drawer Back (S). Attach Cam Bolt (X) to Left & Right Small Drawer Side (Q & R).

NOTE : - Make sure arrows on each Cam Lock (W) points towards nearest edge with holes.



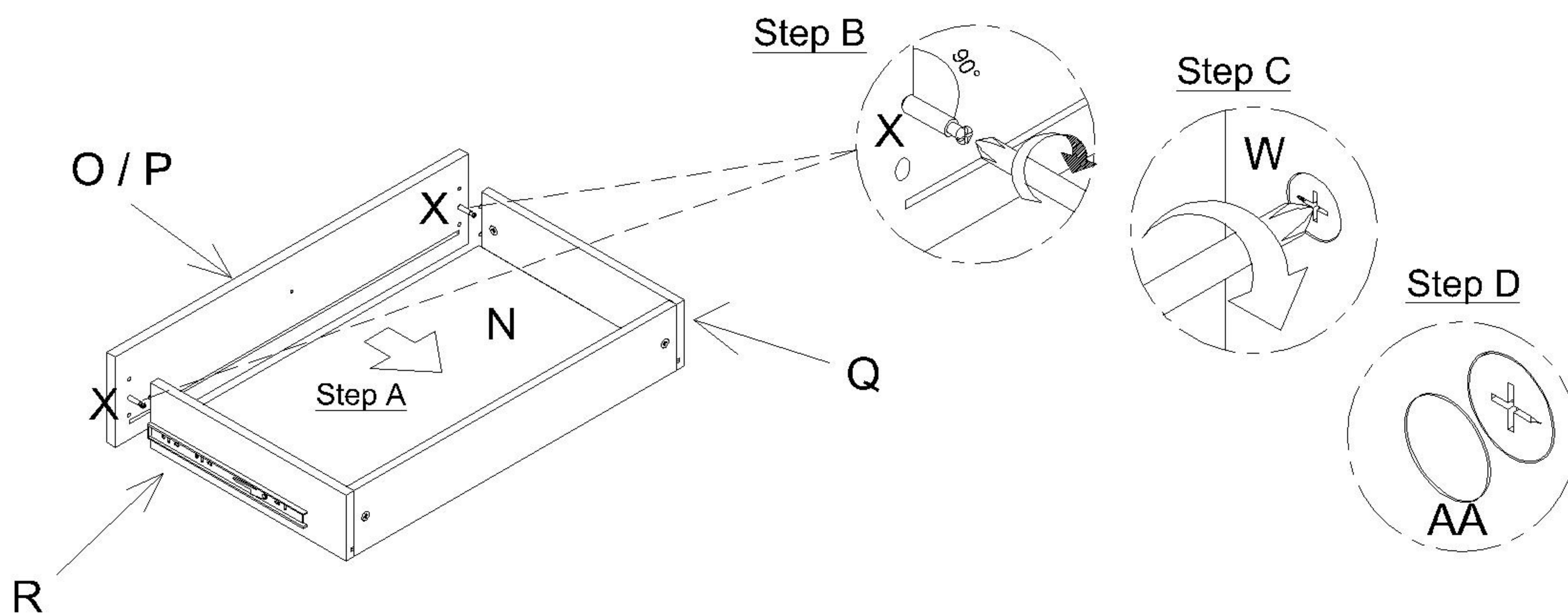
21 Attach Left & Right Small Drawer Side (Q & R) to Small Drawer Back (S) and secure with the Cam Lock (W) attached in the Step 20. Cover Cam Lock (W) with Cam Lock Cover (AA).

NOTE : - Do not over tighten the Cam Lock (W).

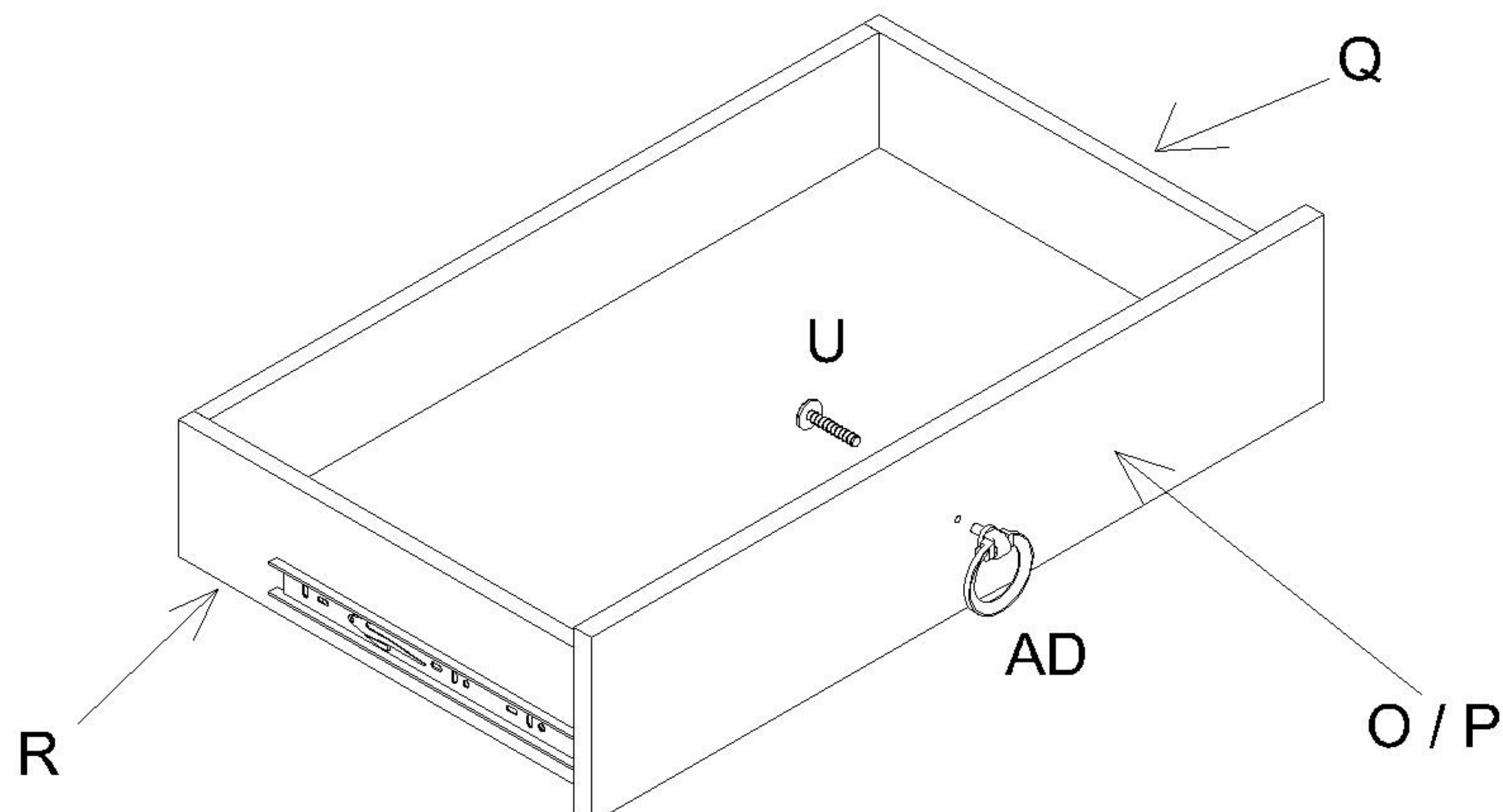


22 Slot Drawer Base (N) into corresponding grooves. Attach Cam Bolt (X) to Left & Right Small Drawer Front (O & P). Attach Left & Right Small Drawer Front (O & P) to Drawer Box and secure with the Cam Lock (W) attached in the Step 20. Cover Cam Lock (W) with Cam Lock Cover (AA).

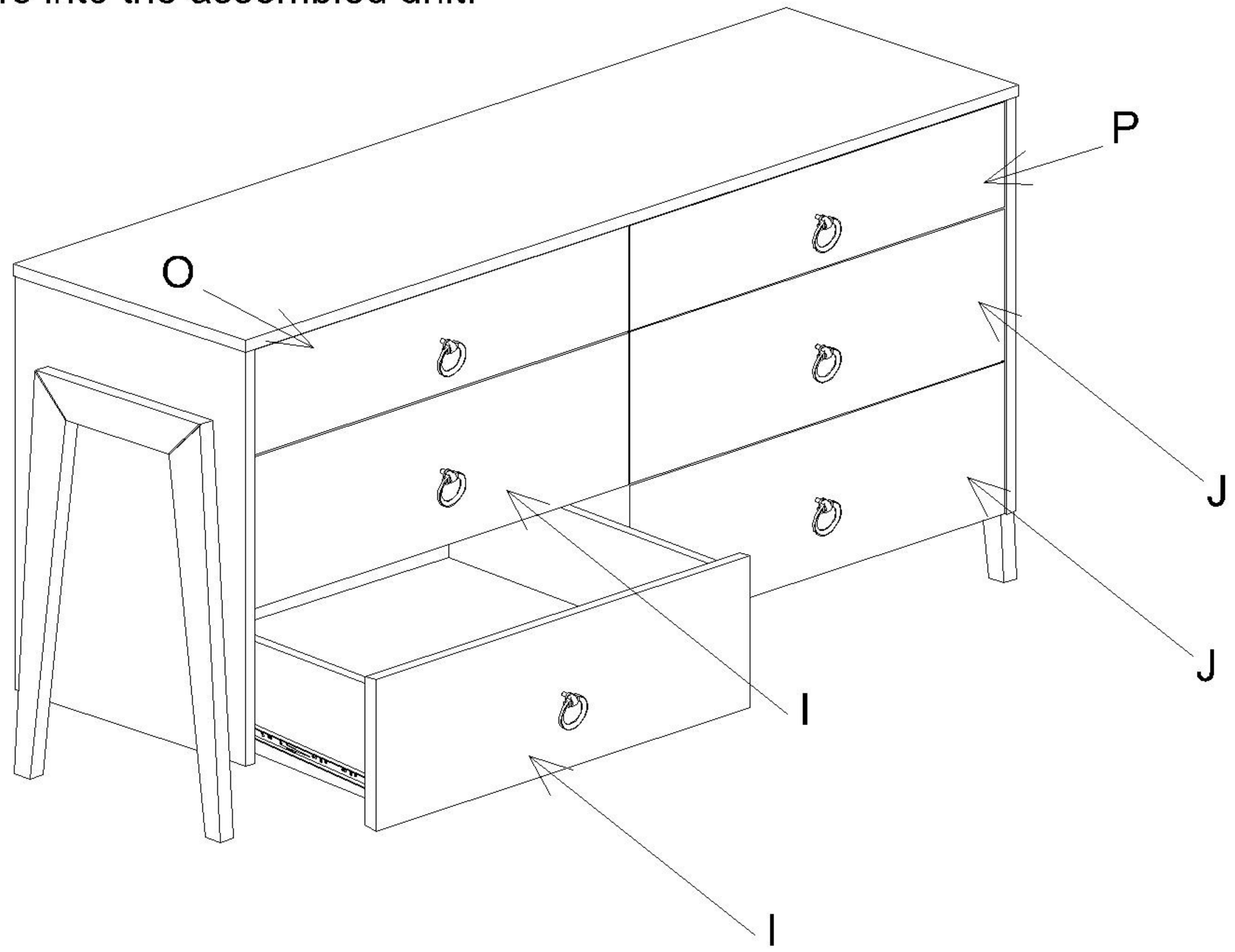
NOTE : - Do not over tighten the Cam Lock (W).



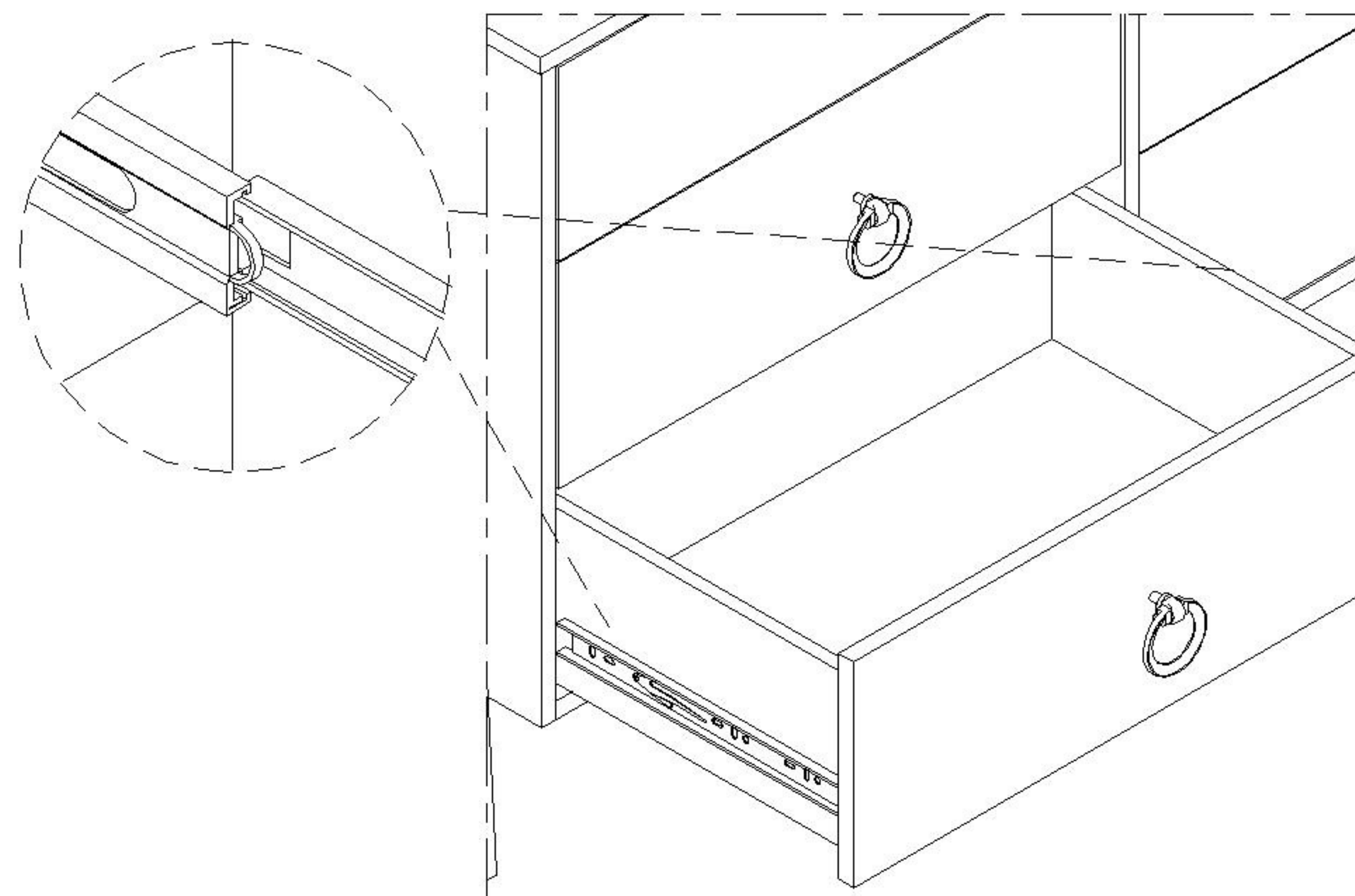
23 Attach Handle (AD) to Left & Right Small Drawer Front (O & P) and secure with Panhead Screw (U).



24 Slot Drawers into the assembled unit.



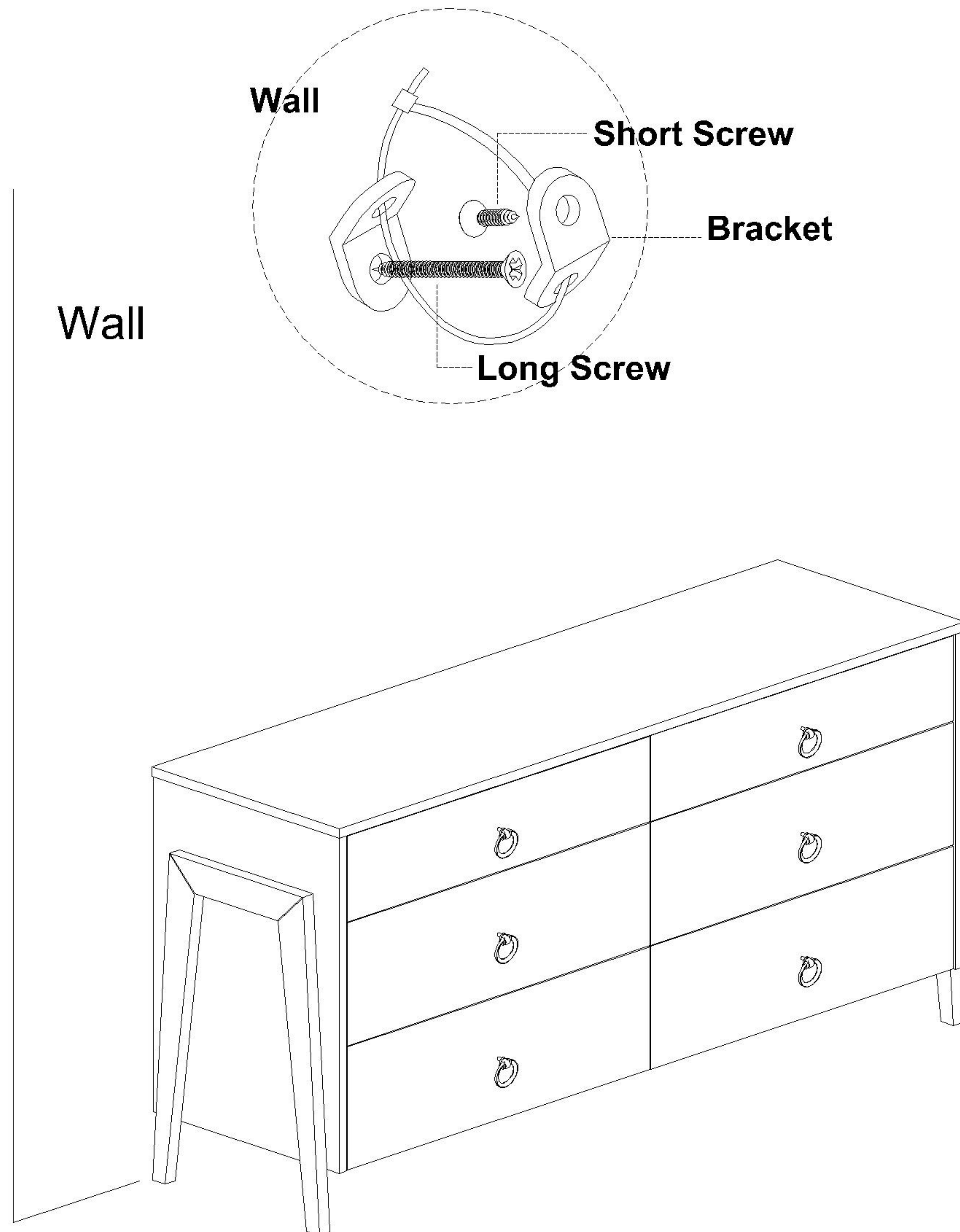
EXTENSION RUNNER ASSEMBLE STEPS:



NOTE : Align and pull/push the triggers on both sides of drawer box into the metal track on interior side of side panel.

25

Attach Anti-Tipping Kit (AE) to wall. Attach Bracket (vertically) to wall using the Long Screw provided. Attach Bracket (vertically) to furniture back (directly below top) with Short Screw. Place Bracket as close to center of furniture back as possible in relation to wall stud and the desired position in the room. Move furniture to its final position. Thread the strap through Bracket, and pull it tight.



Cleaning & Care

Treat surface with care. Surface is resistant to scratches but is not scratch resistant. Clean surfaces with a dry or damp soft cloth. Do not use abrasive cleaners. Hardware may loosen over time. Periodically check that all connections are tight.