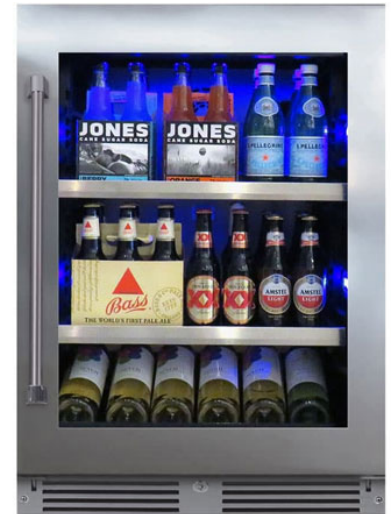




XOU24BCGSX

24" UNDERCOUNTER BEVERAGE CENTER
WITH FIELD REVERSIBLE DOOR

LIFESTYLE REFRIGERATION



XOU24BCGSX

- Field Reversible Door
- Fully extending telescoping glass shelves let you see everything
- Tri-color LED interior lighting

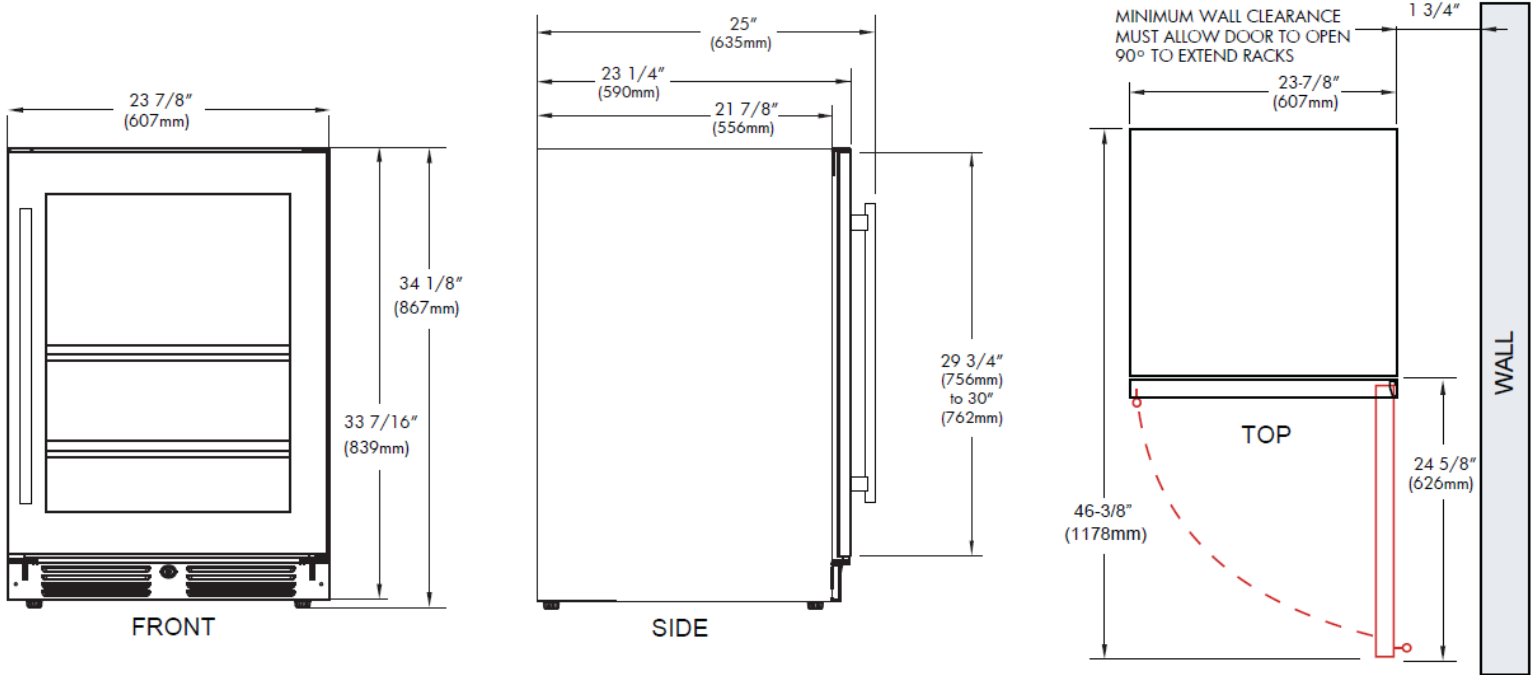
24" UNDERCOUNTER BEVERAGE CENTER WITH FIELD REVERSIBLE DOOR

Easy to Store - Easy to Find. Your XO undercounter Beverage Center is the quick, convenient way to keep all your favorite beverages close at hand. The clear glass shelves fully extend while loaded to let you see and find everything at a glance.

And because they easily adjust to 15 different positions, you can quickly configure the beverage center into your beverage center.

WORLD CLASS SERVICE | COMPREHENSIVE WARRANTIES

OUR LASTING COMMITMENT TO YOU



FEATURES

CAPACITY

Full extension clear glass shelves hold 145 (12oz) cans at 34° to 50° F

FEATURES

- Field Reversible Door
- Glass shelves extend fully while loaded to reveal contents
- Secure door lock
- Tri-color LED interior lighting
- Shelves quickly adjust to 15 different positions
- Intuitive digital temp control from 34° to 50° F
- Holds up to 145 (12oz) cans
- Flush installation design
- Removable Wine Bottle Cradle included
- X-Active circulation removes odors and circulates air
- Quiet Operation 39 dBA
- ENERGY STAR Certified Residential
- Designed for residential or commercial settings

Note: zero clearance hinges are visible just above and below the door panel.

SPECIFICATIONS

- ELECTRICAL** 120V 60HZ 4.35 AMP*
- DIMENSIONS** H 34 1/8" X W 23 7/8" X D 23 1/4"
- ROUGH IN** H 34 1/4" min X W 24" X D 24"
- REFRIGERANT** R600A
- WEIGHT** 149 lbs



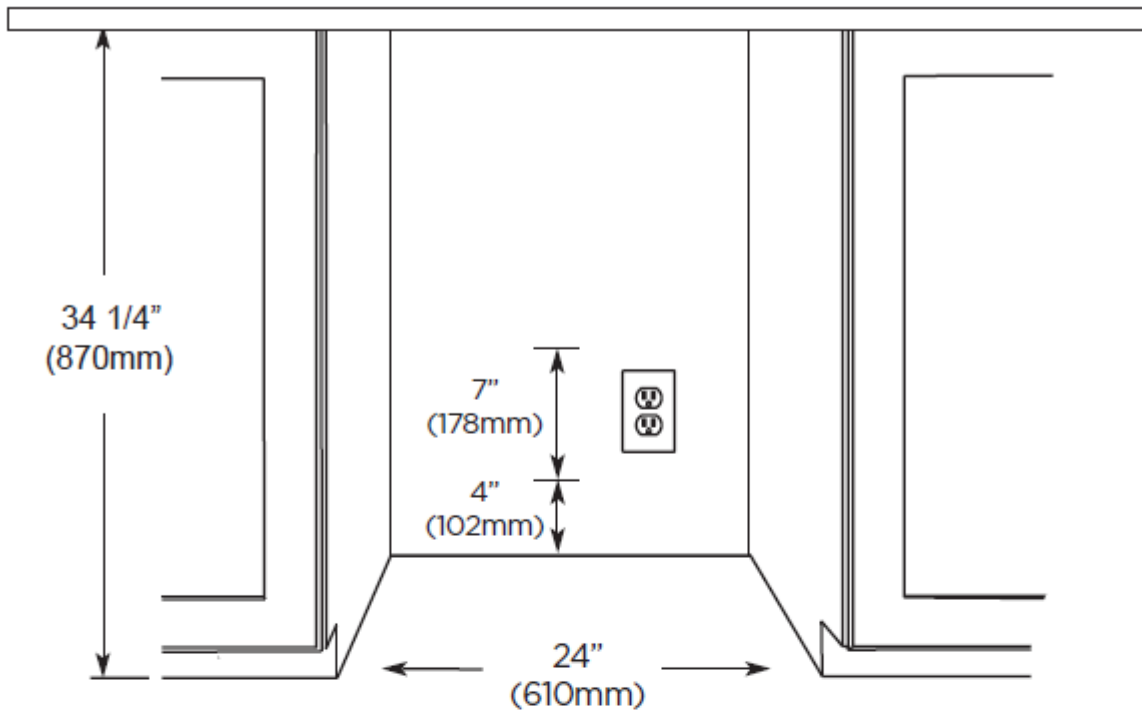
Two Different Style Handles Included



Includes Removable 6 Bottle Wine Rack



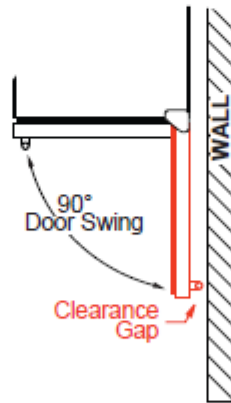
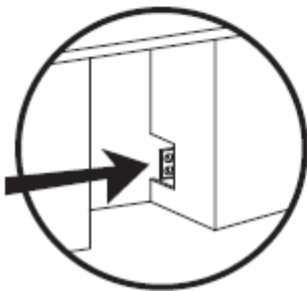
ROUGH IN DIMENSIONS



ALL XO UNDERCOUNTER UNITS ARRIVE PRE-WIRED WITH LOW PROFILE PLUGS FOR EASY INSTALLATION



NEED MORE SPACE - CUT INTO AN ADJOINING CABINET TO REACH AN OUTLET THERE



WHEN INSTALLING WITH THE HINGE SIDE NEXT TO A WALL - LEAVE 1-3/4" CLEARANCE GAP FOR CABINET HANDLES

DOOR MUST BE ABLE TO OPEN A MINIMUM OF 90°.

IF THE DOOR CANNOT OPEN FULLY YOU CANNOT EXTEND THE SHELVES