

SAFETY INFORMATION

Please read and understand this entire manual before attempting to assemble, install or operate the product.

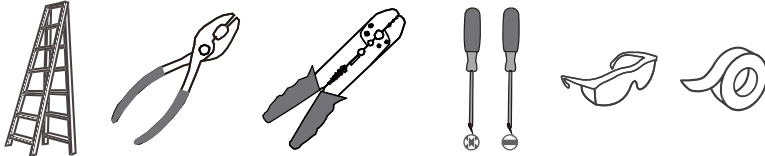
WARNING

- RISK OF ELECTRIC SHOCK - Before beginning installation, turn off electricity at the circuit breaker box or the main fuse box.

CAUTION

- For your safety, read instructions completely before beginning installation.
- If in doubt about electrical installation, consult a licensed electrician.

TOOLS REQUIRED



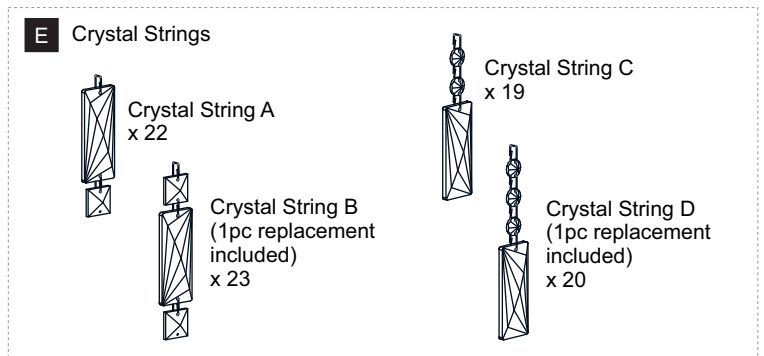
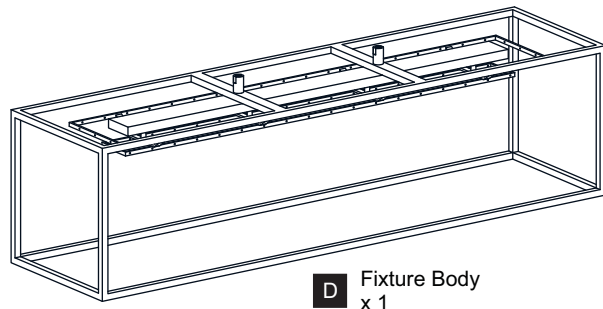
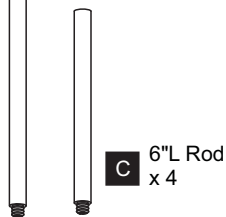
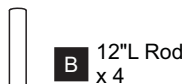
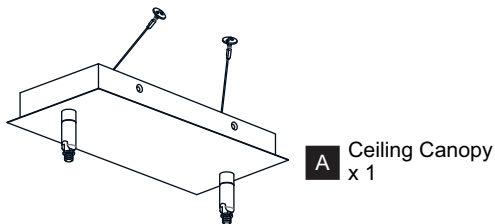
Ratings	120Vac, 60Hz	
	Model No.	Wattage
	PCBNC635MBK	28W

CARE AND MAINTENANCE

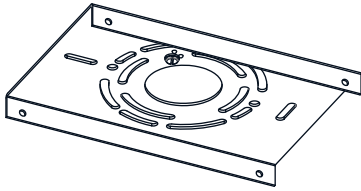
- Wipe clean using soft, dry cloth or static duster. Always avoid using harsh chemicals and abrasives to clean fixture as they may damage the finish.

If you need further assistance call Quozel Customer Care at 1-800-645-3184 (9:00am - 5:00pm EST), or visit us on-line at www.quezel.com.

PACKAGE CONTENTS



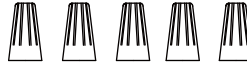
MOUNTING HARDWARE



AA Inner Backplate
x 1



BB Mounting Screw
x 4



CC Wire Connector
x 5



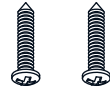
DD Outlet Box Screw
x 2



EE Wall Anchor
x 2



FF Washer
x 2



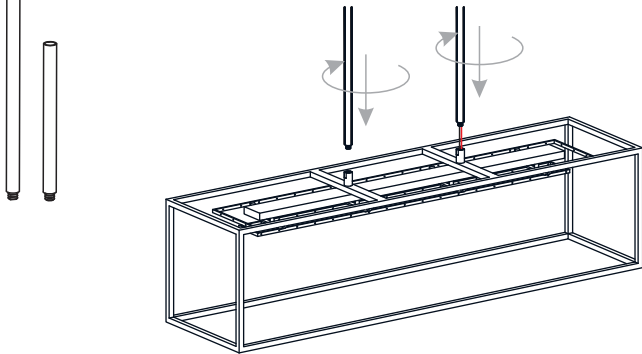
GG Screw
x 2

INSTALLATION

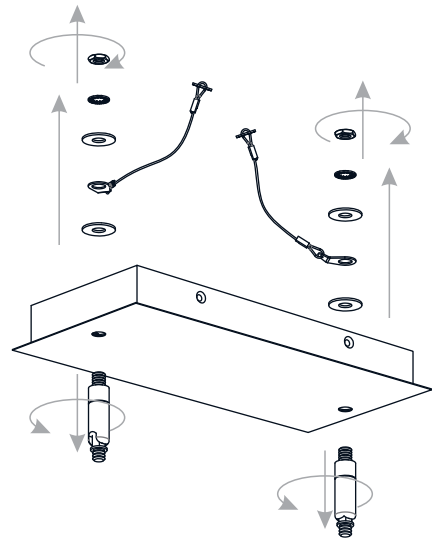
1 Install Rods

Optional Rods:

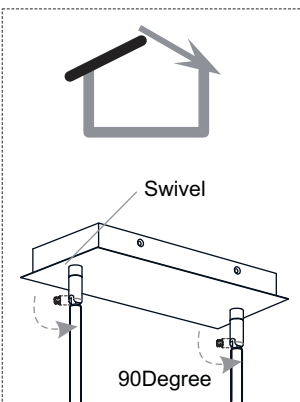
8 Feet Ceiling:
(2) 12"L Rods.
9 Feet Ceiling:
(2) 6"L Rods + (2) 12"L Rods.



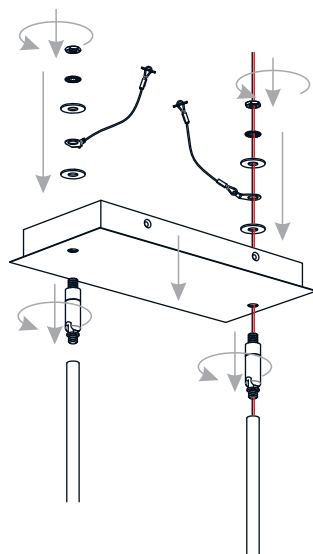
2 Install Ceiling Canopy to Upper Rod



3 Install Swivels, Ceiling Canopy and Lanyards to Upper Rods

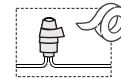


For angled ceilings,
Swivels opening towards wall.



* Make sure two swivels
opening are in the same
direction while assembling.

4 Connect Fixture Wires to Driver



Red wire from driver
identified with label "LED +"

Red wire from fixture
identified with label "LED +"

Yellow wire from driver
identified with label "LED -"

Black wire from fixture
identified with label "LED -"

