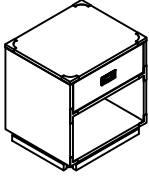


# ASSEMBLY INSTRUCTION

## NIGHTSTAND WITH DRAWER

**A** Nightstand Body



1pc

**B** Leg  
(Under Nightstand)



4pcs

**C** Bolt  
Ø5/16"x55mm



8pcs

**D** Lock Washer  
Ø5/16"x13mm



8pcs

**E** Flat Washer  
Ø5/16"x19mm



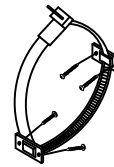
8pcs

**F** Allen Key  
M5

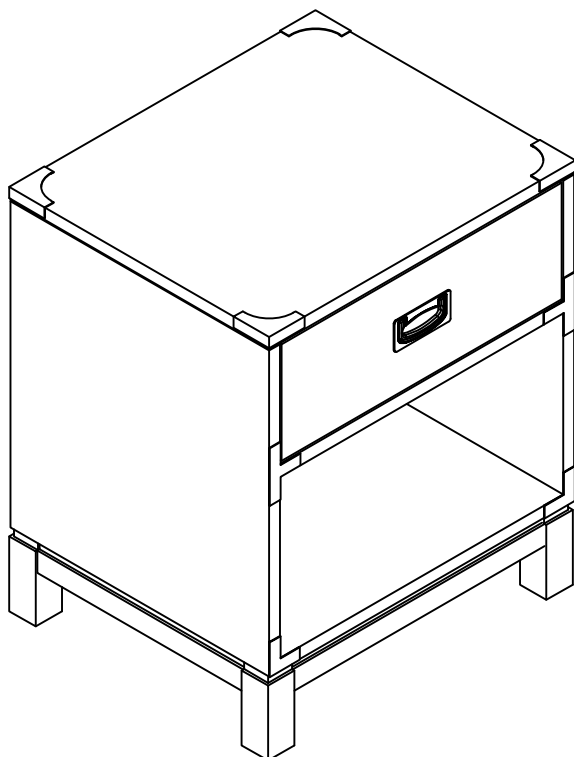


1pc

**G** Anti-Tipping HW

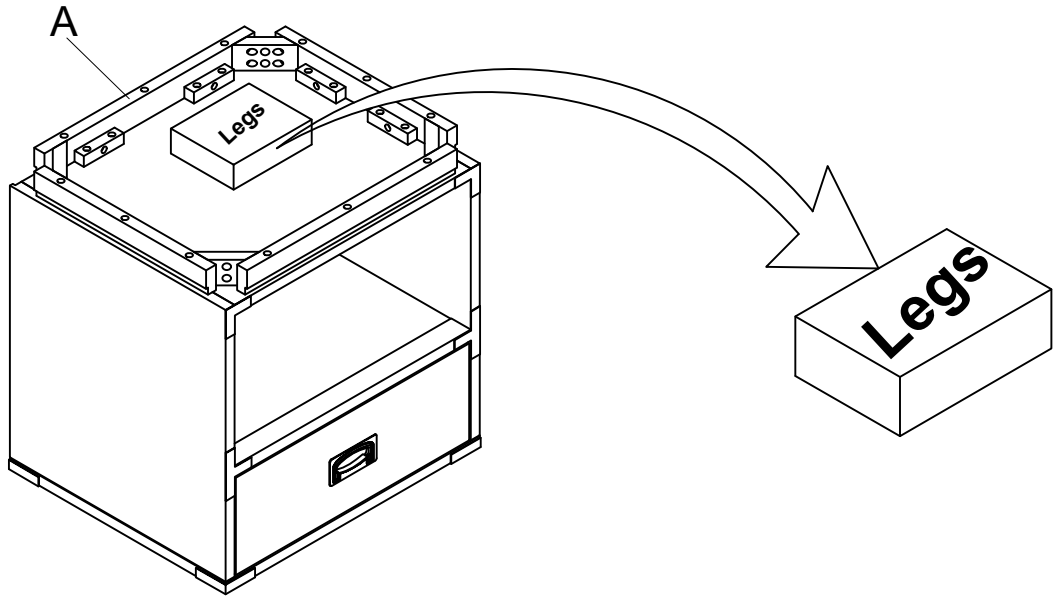


1set

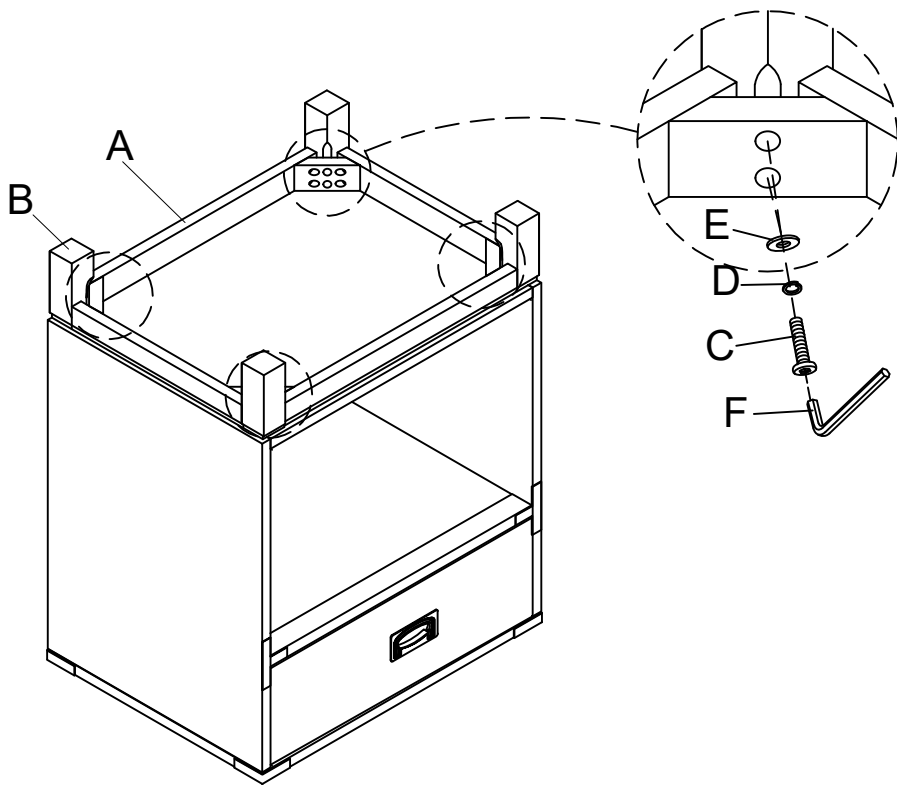


This page lists all the contents included in the box. Please take the time to identify the hardware as well as the individual components to this product. As you unpack and prepare for assembly, place the contents on a carpeted or padded area to protect them from damage.

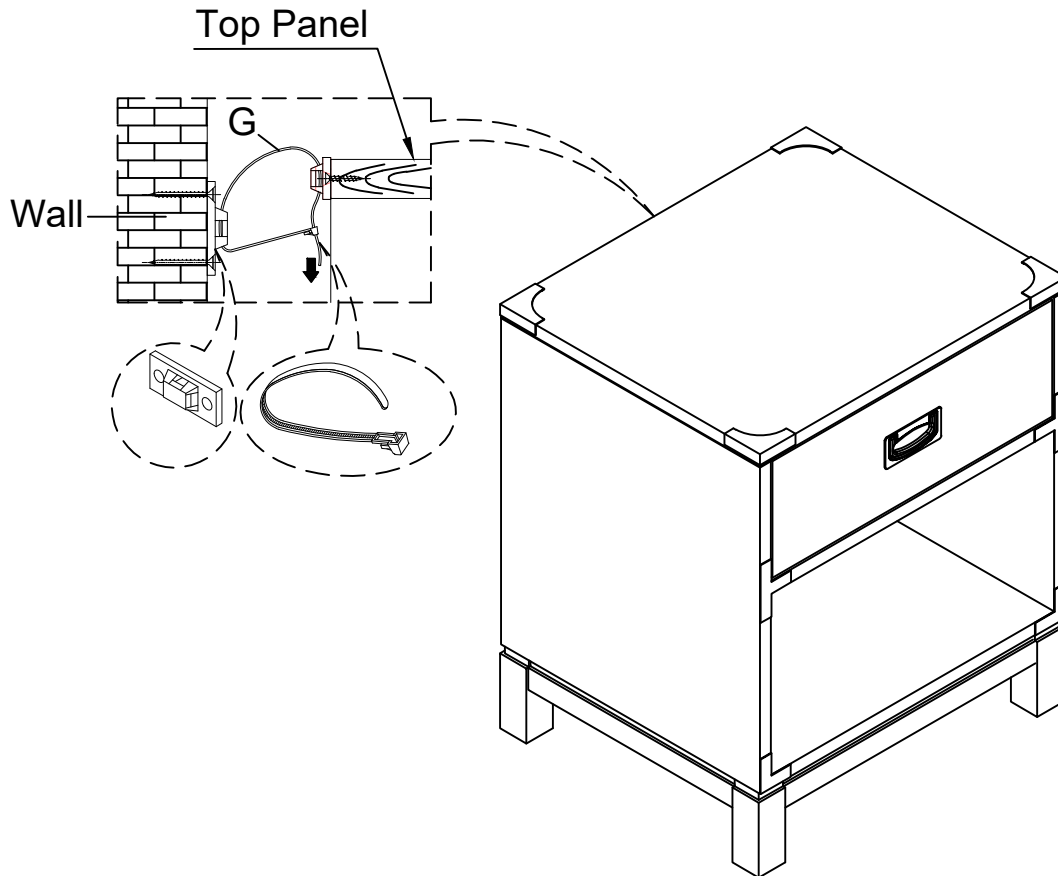
**1** Take out legs box from the bottom of Nightstand Body (A).



**2** Assemble Leg (B) to Nightstand Body (A), using Bolt (C), Lock Washer (D), Flat Washer (E) by Allen Key (F) as below shown.



- 
- 3** Remark: There is a Anti-Tipping HW (G) provided on the back of this product. Please refer carefully to the instruction on the tip restraint kit and following instruction picture for installation.



---

### Cleaning & Care

Treat surface with care. Surface is resistant to scratches but is not scratch resistant. Clean surfaces with a dry or damp soft cloth. Do not use abrasive cleaners. Hardware may loosen over time. Periodically check that all connections are tight.