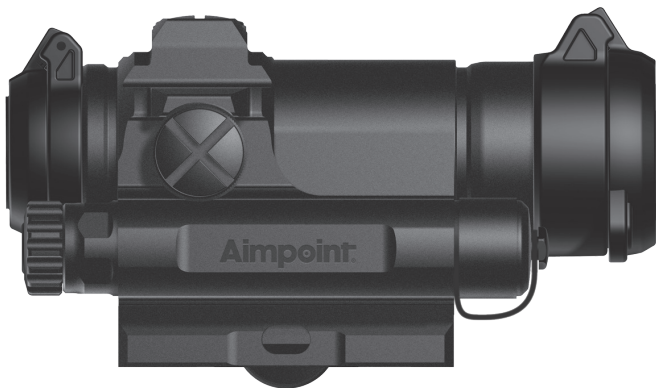


Aimpoint®

CompM4s™ with QRP2 mount User manual



THE FUTURE IN SIGHT™

1 PRESENTATION

Aimpoint® red dot sights are designed for the "two eyes open" method which greatly enhances situational awareness and target acquisition. Thanks to the optical design the red dot follows the movement of the user's eye while remaining fixed on target, eliminating any need for centering.

1.1 Technical specification

Optical system

Magnification	1X
Eye relief	Unlimited
Clear aperture	23 mm
Dot size	2 MOA ¹
NVD ² compatible	Yes
Optical coating	Anti-reflex (AR) coating
Adjustments	1 click = 16 mm at 100 m = 8 mm at 50 m = 4 mm at 25 m 0.6 in at 100 yds = 0.3 in at 50 yds = 0.15 in at 25 yds
Adjustment range	±2 m at 100 m / ±2 yds at 100 yds
Dot intensity settings	16 settings manually adjusted with switch. Setting 1-7 for use with NVD and setting 8-16 for use in daylight.
Signature	No forward optical signature from the dot beyond 10 meters

Power source

Battery type	One AA size 1.5 V - 3.7 V Alkaline or Lithium
Battery life ³	More than 8 years of continuous use at setting 12 more than 10 years at NVD-setting (1-7).

Size (L × W × H)

Sight	122 mm × 53 mm × 59 mm 4.8 in × 2.1 in × 2.3 in
Configuration	136 mm × 74 mm × 80 mm 5.4 in × 2.9 in × 3.1 in

Weight

Sight (incl. battery)	268 g / 9.5 oz
Configuration	390 g / 13.8 oz

Height of optical axis

Configuration (with spacer)	39 mm / 1.5 in (measured from top surface of picatinny rail)
-----------------------------	--

Mechanical interface

Configuration	MIL-STD 1913 Rail system Picatinny rail
---------------	---

Materials

Sight and mount	High strength aluminum, hard anodized, black to dark gray, non-glare finish
Lens covers	Thermoplastic elastomer, black, non-glare finish

Environmental specification

Temperature range (operation)	-45 °C to +71 °C / -49 °F to +160 °F
Temperature range (storage)	-51 °C to +71 °C / -60 °F to +160 °F
Water resistance	45 m / 147 ft.
Chemical resistance	Withstands occasional contamination by weapons cleaners, lubricants, oil or insect repellants

1 MOA: Minute Of Angle, 1 MOA \approx 30 mm at 100 m or \approx 1 in at 100 yds

2 NVD: Night Vision Device

3 Battery life: Values valid at room temperature for a quality battery

1.2 Overview

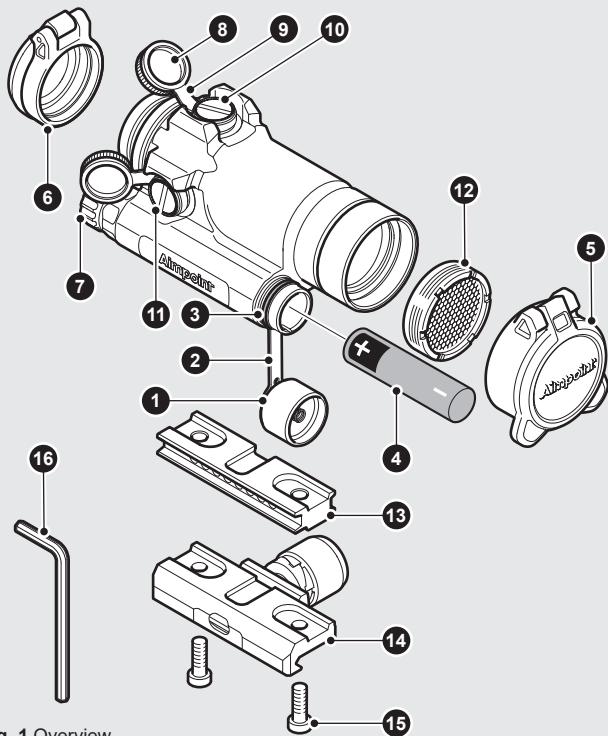


Fig. 1 Overview

- | | |
|------------------------------------|---------------------------------|
| 1 Battery cap | 9 Adjustment cap strap (2 pcs) |
| 2 Battery cap strap | 10 Elevation adjustment screw |
| 3 O-ring (for battery compartment) | 11 Windage adjustment screw |
| 4 Battery (AA) | 12 Anti Reflection Device (ARD) |
| 5 Front flip-up lens cover | 13 Spacer |
| 6 Rear flip-up lens cover | 14 QRP2 mount |
| 7 Intensity switch | 15 Screw (2 pcs) |
| 8 Adjustment cap (2 pcs) | 16 Allen wrench 3 mm |

2 OPERATION

WARNING: Ensure the weapon is not loaded and the safety selector is in the "safe" position before attempting to install, remove or perform maintenance.

2.1 Install battery

- a Untighten and remove the battery cap.
- b Insert battery with the positive end (+) toward the sight as shown in Fig. 1.

CAUTION: Check that the o-ring is in good condition and in position to ensure there is no water leakage into the battery compartment.

- c Tighten the battery cap by hand. When resistance is encountered, proceed to tighten until the battery cap is fully tightened.
- d Verify that the red dot is visible.

NOTE: For storage of the sight, remove the battery.

2.2 Mount CompM4s™ with QRP2 mount to a Picatinny rail

- a Loosen the torque knob of the QRP2 mount by turning it counter clockwise.
- b Position the recoil stop of the QRP2 mount in a groove of the Picatinny rail and install the mount.
- c With the recoil stop positioned in a groove of the rail, push the sight with mount forward (toward muzzle) and tighten the torque knob clockwise until it snaps three times. Retighten the knob after a few rounds if necessary.

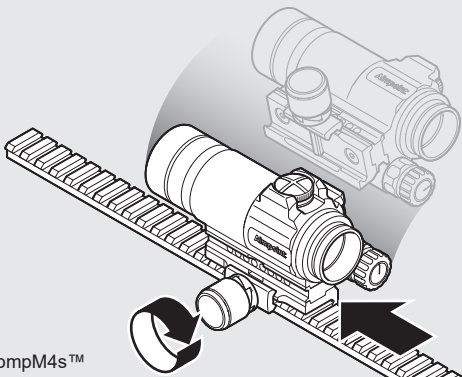


Fig. 2 Mount CompM4s™

2.3 Zeroing

CAUTION: Do not continue to adjust windage and elevation screws (7) and (8) if you encounter resistance.

- a Adjust the intensity to a comfortable setting for the red dot to contrast against the target.
- b Remove the two adjustment caps to access the windage adjustment screw and the elevation adjustment screw.
- d Turn the adjustment screws with a suitable tool (knife, coin or cartridge casing).
- e Windage adjustments (see Fig. 3):
 - Turn windage adjustment screw counterclockwise to move point of impact to the right.
 - Turn windage screw clockwise to move point of impact to the left.
- f Elevation adjustments (see Fig. 4):
 - Turn elevation adjustment screw counterclockwise to move point of impact up.
 - Turn elevation adjustment screw clockwise to move point of impact down.
- g Confirm zeroing by firing at least three shots at a zeroing target. Check points of impact to confirm accuracy and repeat zeroing procedure if required.
- h After initial firing, ensure the sight is securely installed on the weapon.

NOTE: Each click of the adjustment screws corresponds to a 16 mm movement of the point of impact at 100 m or 0.6 in at 100 yds.

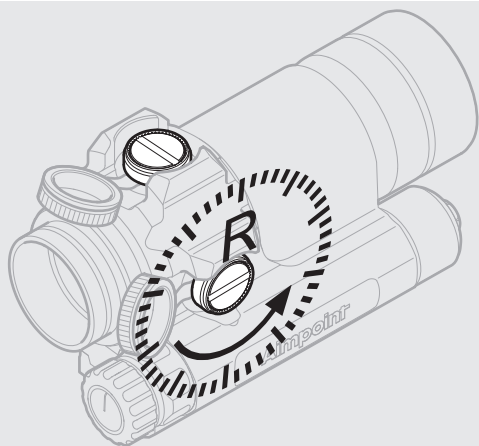


Fig. 3 Windage adjustments

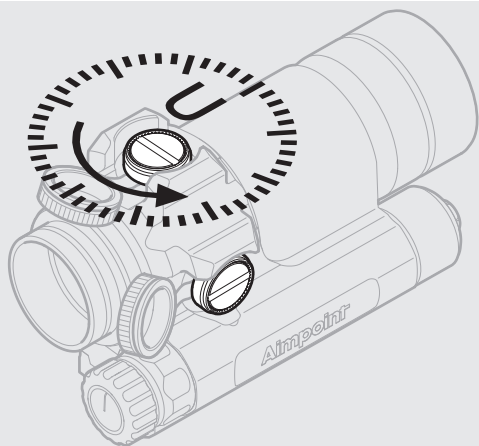


Fig. 4 Elevation adjustment

3 EXTREME CONDITIONS

- Extreme heat (moist or dry): no special procedures required.
- Extreme cold: extreme cold might shorten battery life. The intensity switch can be more difficult to operate than at normal temperatures.
- Salt air: no special procedures required.
- Sea spray, water, mud and snow: ensure the battery cap and the adjustment caps are tightened before exposing the sight to sea spray, mud, snow or before submerging the sight in water. Tighten the adjustment caps and the battery cap. Keep lens covers closed when the sight is not being used. Clean lenses with lens paper/cloth and wipe the sight dry as soon as possible after exposure to water, sea spray, mud or snow.
- Dust storms and sand storms: keep lens covers closed when the sight is not being used.
- High altitudes: no special procedures required.

CAUTION: Never clean the lenses with fingers. Use lens paper/cloth. If lens paper/cloth is not available:

- To clear away debris (sand, grass etc.): blow away the dirt or rinse with clear water.
- To clean lenses: fog the lenses or rinse with clear water and clean them with a soft piece of cloth.

4 TROUBLESHOOTING

The red dot does not appear or has disappeared

Make sure contact surfaces in the battery compartment are clean and verify that a working battery is installed correctly according to 2.1. Ensure that the battery cap is firmly tightened. If the intensity switch is defective, notify local dealer/armourer.

The sight is impossible to zero

If an adjustment screw is at its limit, check the alignment of mount and barrel. If point of impact is moving, check the stability of mount and weapon rail (or carry handle)

5 MAINTENANCE

- This sight does not require any particular maintenance while used under normal conditions.
- During severe weather conditions please refer to section 3.
- Keep lens covers closed whenever the sight is not in use.
- Warehouse storage: Remove battery and allow lens surfaces to dry completely (if wet) before closing the lens covers.
- To clean lenses refer to **CAUTION** in section 3.

Aimpoint AB

Jägershillgatan 15
SE- 213 75 Malmö, Sweden
Phone: +46 (0)40 671 50 20
Fax: +46 (0)40 21 92 38
e-mail: info@aimpoint.se

Aimpoint Inc.

7309 Gateway Court
Manassas, VA 20109, USA
Phone: +1 703-263-9795
Fax: +1 703-263-9463
e-mail: info@aimpoint.com

WWW.AIMPOINT.COM

© 2019 Aimpoint AB. [15706-1]

