

SAFETY INFORMATION

Released Date: 2024-12-17

Please read and understand this entire manual before attempting to assemble, install or operate the product.

WARNING

- RISK OF ELECTRIC SHOCK - Before beginning installation, turn off electricity at the circuit breaker box or the main fuse box.
- RISK OF FIRE - Use bulbs specified by the markings and/or labels on the fixture.
- RISK OF FIRE, ELECTRICAL SHOCK or PERSONAL INJURIES - Use only LED lamps in this luminaire. Do NOT use incandescent and halogen lamps in this luminaire.

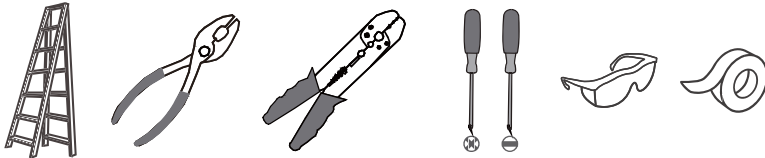
CAUTION

- For your safety, read instructions completely before beginning installation.
- If in doubt about electrical installation, consult a licensed electrician.
- Turn off electricity to fixture before replacing the bulb(s).

IMPORTANT

- IDA recommends using long-wavelength lighting with a color temperature of < 3000 Kelvin.

TOOLS REQUIRED

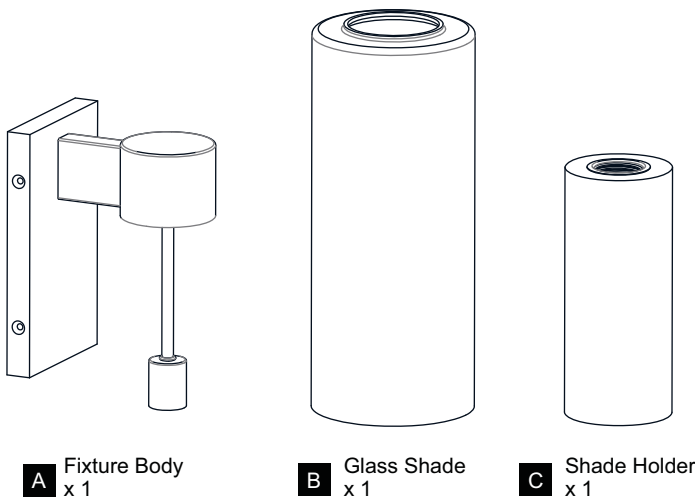


CARE AND MAINTENANCE

- Wipe clean using soft, dry cloth or static duster. Always avoid using harsh chemicals and abrasives to clean fixture as they may damage the finish.

If you need further assistance call Quozel Customer Care at 1-800-645-3184 (9:00am - 5:00pm EST), or visit us on-line at www.quezel.com.

PACKAGE CONTENTS

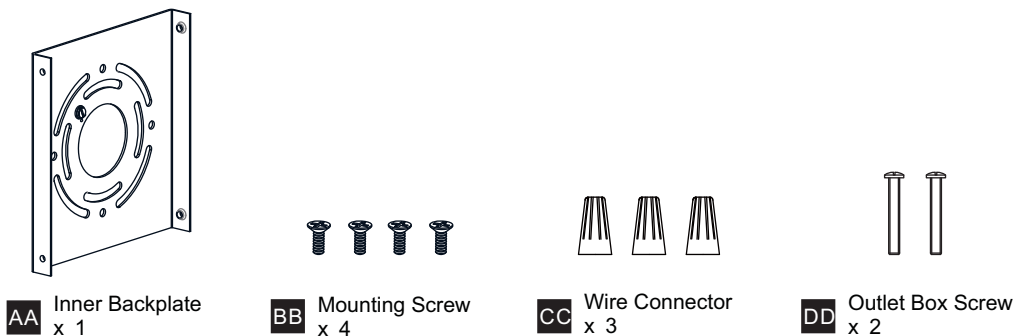


A Fixture Body
x 1

B Glass Shade
x 1

C Shade Holder
x 1

MOUNTING HARDWARE



AA Inner Backplate
x 1

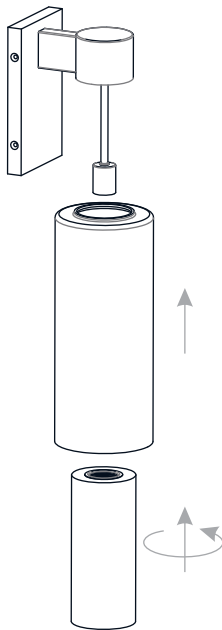
BB Mounting Screw
x 4

CC Wire Connector
x 3

DD Outlet Box Screw
x 2

INSTALLATION

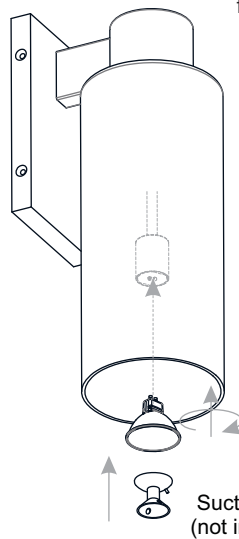
1 Install Glass Shade




2 Install MR16 Bulb

Install the correct bulb referring to fixture markings and/or labels for maximum wattage.


*** Do not touch the bulb with bare hands use a cloth or glove.**




Bulb Type (not included):



BULB BASE TYPE GU10



5W MAX

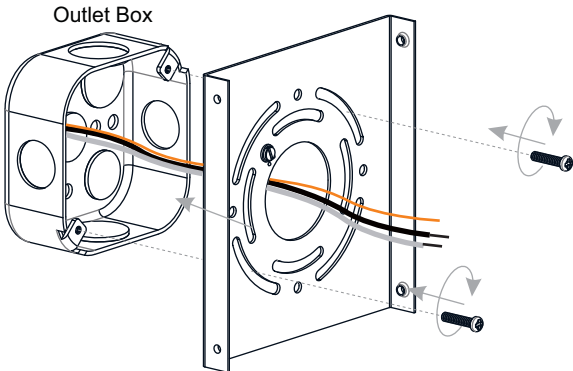


BULB TYPE TYPE MR16 LED

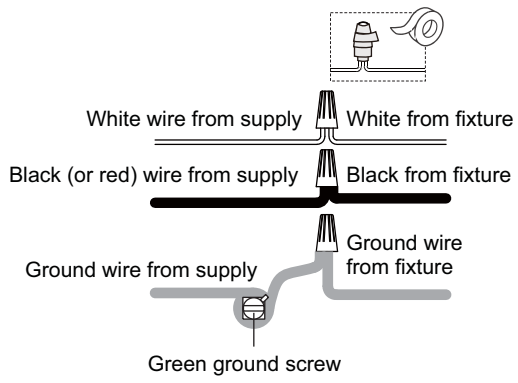
ONLY

Bulb color temperature < 3000 Kelvin

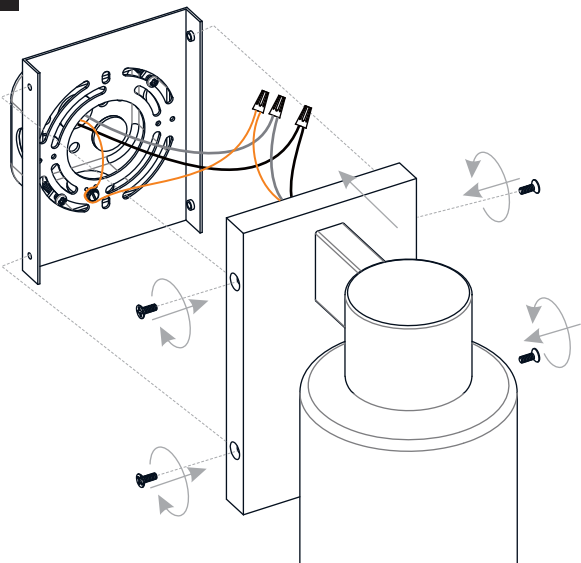
3 Install Inner Backplate



4 Wiring

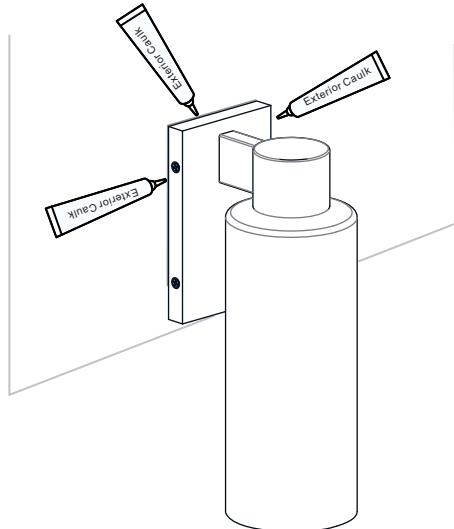


5 Install Fixture Body



6 Apply Caulking

*** Note: Do NOT caulk the bottom of the backplate to allow moisture to escape.**



Your installation is now complete! Restore electricity and save this sheet for future reference.