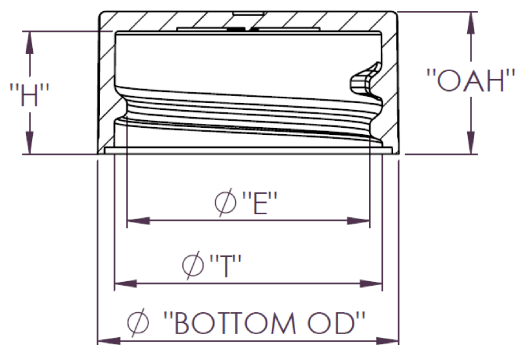
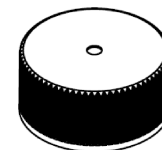


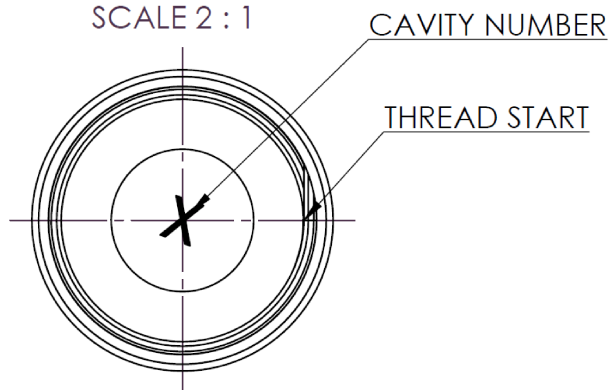
DETAIL B
SCALE 10 : 1
(136) EQUISPACED RIBS



SECTION A-A
SCALE 2 : 1



SCALE 1:1



8 THREADS PER INCH, 0.125 PITCH
380° FULL DEPTH THREAD

**THIS DRAWING SUPERSEDES
DRAWING 20-RMX**

| | TOLERANCE | UNITS | |
|-------------|---------------|---------|---------------|
| T | ±0.007 [0.18] | in [mm] | 0.792 [20.12] |
| E | ±0.007 [0.18] | in [mm] | 0.716 [18.19] |
| H | ±0.006 [0.15] | in [mm] | 0.362 [9.19] |
| OAH | ±0.007 [0.18] | in [mm] | 0.420 [10.67] |
| BOTTOM OD | ±0.007 [0.18] | in [mm] | 0.888 [22.56] |
| PART WEIGHT | ±0.1 | g | 1.1 |

DISCLAIMER

THIS INFORMATION IS PROVIDED AS A GENERAL GUIDE, INCLUDING DIMENSIONS. IT IS THE CUSTOMER'S RESPONSIBILITIES TO SELECT THE PROPER CONTAINER FOR PRODUCT AND APPLICATION COMPATIBILITY.

DISTRIBUTED BY:



REF NO.:

DWG10379

DESCRIPTION:

63-400 PP Smooth Top, Ribbed Sides Cap