



OWNER'S MANUAL

30", 36" and 48"
Professional Dual Fuel Ranges

ENGLISH/FRANÇAIS/ESPAÑOL

Elevate Everything™

MONOGRAM.COM

TABLE OF CONTENTS

MODEL INFORMATION	2
CONSUMER SUPPORT	3
SAFETY INFORMATION	4
USING THE RANGE	9
Connecting Your Wifi Enabled Range	9
Features of the Range and Cooktop	10
Accent Lighting Control	11
In Case of Power Failure	11
Surface Burners	11
Top-of-the-Range Cookware	12
Wok Cooking	13
Griddle	14
Features of the Oven	15
Oven Control and Timer	16
Settings	18
WiFi Connect and Remote Enable	18
Oven Air Vents	20
Aluminum Foil and Oven Liners	20
Oven Racks	20
Oven Modes	22
Baking	22
Broiling	23
Convection Cooking	24
Convection Baking	24
Convection Roasting	25
Convection Broiling	26
Warming	27
Proofing	27
Precision Cooking	27
Temperature Probe	28
Oven Cooking Guide	30
Oven Cookware Guidelines	30
Air Fry Cooking Guide	32
CARE AND CLEANING	33
Control Panel and Knobs	33
Broiler Pan, Grid, and Roasting Rack	33
Oven Exterior	34
Oven Interior	34
Steam Cleaning	34
Self-Cleaning	35
Oven Racks	36
Temperature Probe	36
Oven Bottom	36
Oven Door	37
Oven Lights	38
Dual-Flame Stacked and Multi-Ring Burners	39
Spark Igniter and Electrodes	40
Burner Grates	40
Grease Trough	40
Griddle	40
TROUBLESHOOTING	41
MONOGRAM LIMITED WARRANTY	43

MODEL INFORMATION

MODEL NUMBERS

ZDP304, ZDP366, ZDP486

WRITE DOWN THE MODEL AND SERIAL NUMBERS

You'll find them on a label located behind the left burner knob or below the control panel which is visible when the oven door is opened.

Use these numbers in any correspondence or service calls concerning your appliance.

Please write these numbers here:

Model Number

Serial Number

CONSUMER SUPPORT

In the United States - Visit us at monogram.com or call 800.444.1845

In Canada - Visit us at monogram.ca or call 888.880.3030

Find owner support information on our website:

- **Information**
- **Register the Appliance**
- **Schedule Service through Bodewell**
- **Purchase Parts, Accessories or Extended Warranties**
- **Set up your Smart Appliance** - 800.220.6899

If you are not satisfied with the service you receive, contact us on our website with all the details including your phone number, or write to:

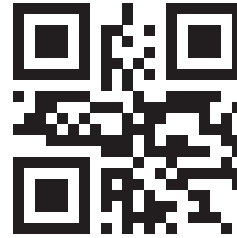
In the United States - General Manager, Customer Relations | Monogram | Appliance Park | Louisville, KY 40225

In Canada - Director, Customer Relations | MC Commercial Inc. | 1100 Burloak Dr. Suite 601 | Burlington, ON L7L 6B2

monogram.com



monogram.ca




IMPORTANT SAFETY INFORMATION

READ ALL INSTRUCTIONS BEFORE USING THE APPLIANCE

⚠ WARNING If the information in this manual is not followed exactly, a fire or explosion may result, causing property damage, personal injury or death.

- Do not store or use gasoline or other flammable vapors and liquids in the vicinity of this or any other appliance.
- **WHAT TO DO IF YOU SMELL GAS**
 - Do not try to light any appliance.
 - Do not touch any electrical switch; do not use any phone in your building.
 - Immediately call your gas supplier from a neighbor's phone. Follow the gas supplier's instructions.
 - If you cannot reach your gas supplier, call the fire department.
- Installation and service must be performed by a qualified installer, service agency or the gas supplier.

ANTI-TIP DEVICE

	<p>⚠ WARNING</p> <p><u>Tip-Over Hazard</u></p> <ul style="list-style-type: none">• A child or adult can tip the range and be killed.• Install the anti-tip bracket to the wall or floor.• Engage the range to the anti-tip bracket by sliding the range back such that the foot is engaged.• Re-engage the anti-tip bracket if the range is moved.• Failure to do so can result in death or serious burns to children or adults.
---	---

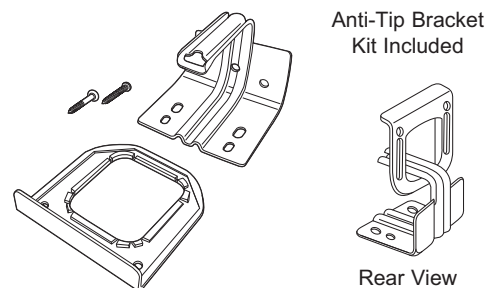
To reduce the risk of tipping the range, the range must be secured by a properly installed anti-tip bracket. See installation instructions shipped with the bracket for complete details before attempting to install.

For Professional Gas Ranges

To check if the bracket is installed and engaged properly, look underneath the range to see that the rear leveling leg is engaged in the bracket. On some models, the kick panel can be removed for easy inspection. If visual inspection is not possible, slide the range forward, confirm the anti-tip bracket is securely attached to the floor or wall, and slide the range back so the rear leveling leg is under the anti-tip bracket.

If the range is pulled from the wall for any reason, always repeat this procedure to verify the range is properly secured by the anti-tip bracket.

Never completely remove the leveling legs or the range will not be secured to the anti-tip device properly.



IMPORTANT SAFETY INFORMATION

READ ALL INSTRUCTIONS BEFORE USING THE APPLIANCE

▲WARNING

Read all safety instructions before using the product. Failure to follow these instructions may result in fire, electrical shock, serious injury or death.

▲WARNING GENERAL SAFETY INSTRUCTIONS

▲WARNING

NEVER use this appliance as a space heater to heat or warm the room. Doing so may result in carbon monoxide poisoning and overheating of the oven.

- Use this appliance for its intended purpose as described in this owner's manual.
- Have your range installed and properly grounded by a qualified installer in accordance with the provided installation instructions.
- Any adjustment and service should be performed only by a qualified gas range installer or service technician. Do not attempt to repair or replace any part of your range unless it is specifically recommended in this manual.
- Your range is shipped from the factory set for use with natural gas. It can be converted for use with propane (LP). If required, these adjustments must be made by a qualified technician in accordance with the installation instructions and local codes. The agency performing this work assumes responsibility for the conversion.
- Have the installer show you the location of the range gas shut-off valve and how to turn it off if necessary.
- Dual Fuel: If the heating element in the oven develops a glowing spot or shows other signs of damage, do not use that area of the range. A glowing spot indicates the element may fail and present a potential burn, fire, or shock hazard. Turn the heating element off immediately and have it replaced by a qualified service technician.
- Before performing any service, unplug the range or disconnect the power supply at the household distribution panel by removing the fuse or switching off the circuit breaker.
- Be sure all packing materials are removed from the range before operating to prevent ignition of these materials.
- Avoid scratching or impacting glass displays. Doing so may lead to glass breakage. Do not cook on a product with broken glass. Shock, fire, or cuts may occur.
- Do not leave children alone or unattended in an area where an appliance is in use. They should never be allowed to climb, sit or stand on any part of the appliance.
- **▲CAUTION** Do not store items of interest to children in cabinets above an oven - children climbing on the oven to reach items could be seriously injured.
- Never block the vents (air openings) of the range. They provide the air inlets and outlets that are necessary for the range to operate properly with correct combustion. Air openings are located at the rear of the cooktop, at the top and bottom of the oven door, and at the bottom of the range.
- Use only dry pot holders—moist or damp pot holders on hot surfaces may result in burns from steam. Do not let pot holders touch surface burners, burner grate, or oven heating element. Do not use a towel or other bulky cloth in place of pot holders.
- Do not touch the heating elements or the interior surface of the oven. These surfaces may be hot enough to burn even though they are dark in color. During and after use, do not touch, or let clothing or other flammable materials contact any interior area of the oven; allow sufficient time for cooling first. Other surfaces of the appliance may become hot enough to cause burns. Potentially hot surfaces include the burners, grates, oven vent opening, surfaces near the opening, crevices around the oven door, metal trim parts above the door, any backguard, or high shelf surface.
- Do not heat unopened food containers. Pressure could build up and the container could burst, causing an injury.
- Cook food thoroughly to help protect against foodborne illness. Minimum safe food temperature recommendations can be found at IsItDoneYet.gov and fsis.usda.gov. Use a food thermometer to take food temperatures and check several locations.

READ AND SAVE THESE INSTRUCTIONS

IMPORTANT SAFETY INFORMATION

READ ALL INSTRUCTIONS BEFORE USING THE APPLIANCE

▲WARNING GENERAL SAFETY INSTRUCTIONS (cont.)

- Do not allow anyone to climb, stand or hang on the oven door, drawer or cooktop. They could damage the range or tip it over causing severe injury or death.
- Keep the ventilator hood and grease filters clean to maintain good venting and to avoid grease fires. Turn the ventilator OFF in case of a fire or when intentionally "flaming" liquor or other spirits on the cooktop. The blower if in operation, could spread the flames.

▲WARNING KEEP FLAMMABLE MATERIALS AWAY FROM THE RANGE

Failure to do so may result in fire or personal injury.

- Do not store or use flammable materials in an oven or near the cooktop, including paper, plastic, pot holders, linens, wall coverings, curtains, drapes and gasoline or other flammable vapors and liquids.
- Never wear loose-fitting or hanging garments while using the appliance. These garments may ignite if they contact hot surfaces causing severe burns.
- Do not let cooking grease or other flammable materials accumulate in or near the range. Grease in the oven or on the cooktop may ignite.

▲WARNING IN THE EVENT OF A FIRE, TAKE THE FOLLOWING STEPS TO PREVENT INJURY AND FIRE SPREADING

- Do not use water on grease fires. Never pick up a flaming pan. Turn the controls off. Smother a flaming pan on a surface unit by covering the pan completely with a well-fitting lid, cookie sheet or flat tray. Use a multi-purpose dry chemical or foam-type fire extinguisher.
- If there is a fire in the oven during baking, smother the fire by closing the oven door and turning the oven off or by using a multi-purpose dry chemical or foam-type fire extinguisher.
- If there is a fire in the oven during self-clean, turn the oven off and wait for the fire to go out. Do not force the door open. Introduction of fresh air at self-clean temperatures may lead to a burst of flame from the oven. Failure to follow this instruction may result in severe burns.

▲WARNING SELF-CLEANING OVEN SAFETY INSTRUCTIONS

The self-cleaning feature operates the oven at temperatures high enough to burn away food soils in the oven. Follow these instructions for safe operation.

- Do not touch oven surfaces during self-clean operation. Keep children away from the oven during self-cleaning. Failure to follow these instructions may cause burns.
- Before operating the self-clean cycle, remove pans, shiny metal oven racks, and other utensils from the oven. Only porcelain-coated oven racks may be left in the oven.
- Before operating the self-clean cycle, wipe grease and food soils from the oven. Excessive amount of grease may ignite leading to smoke damage to your home.
- If the self-cleaning mode malfunctions, turn the oven off and disconnect the power supply. Have it serviced by a qualified technician.
- Do not use a protective coating to line the oven and do not use commercial oven cleaner unless certified for use in a self-cleaning oven.
- Do not clean the door gasket. The door gasket is essential for a good seal. Care should be taken not to rub, damage or move the gasket.
- **IMPORTANT:** The health of some birds is extremely sensitive to the fumes given off during the self-cleaning cycle of any range. Move birds to another well-ventilated room.

READ AND SAVE THESE INSTRUCTIONS

IMPORTANT SAFETY INFORMATION

READ ALL INSTRUCTIONS BEFORE USING THE APPLIANCE

▲WARNING COOKTOP SAFETY INSTRUCTIONS

▲WARNING NEVER Operate the Top Surface Cooking Section of this Appliance Unattended.

- Failure to follow this warning statement could result in fire, explosion, or burn hazard that could cause property damage, personal injury, or death.
 - If a fire should occur, keep away from the appliance and immediately call your fire department.
- DO NOT ATTEMPT TO EXTINGUISH AN OIL/GREASE FIRE WITH WATER.**

- Never leave oil unattended while frying. If allowed to heat beyond its smoking point, oil may ignite resulting in fire that may spread to surrounding cabinets. Use a deep fat thermometer whenever possible to monitor oil temperature.
- To avoid oil spillover and fire, use the minimum amount of oil when using a shallow pan-frying and avoid cooking frozen foods with excessive amounts of ice.

- Use proper pan size and avoid pans that are unstable or easily tipped. Select cookware that is matched to the size of the burner. Burner flames should be adjusted so that they do not extend beyond the bottom of the pan. Excessive flame may be hazardous.
- Always use the LITE position when igniting the top burners and make sure the burners have ignited.
- When using glass/ceramic cookware, make sure it is suitable for cooktop service; others may break because of sudden change in temperature.
- To minimize the possibility of burns, ignition of flammable materials and spillage, the handle of a container should be turned toward the center of the range without extending over nearby burners.
- Do not use a wok with a round metal support ring. The ring may trap heat and block air to the burner resulting in a carbon monoxide hazard.
- Do not attempt to lift the cooktop. Doing so may damage the gas tubing to the surface burners resulting in a gas leak and risk of fire.
- Do not use aluminum foil to cover the grates or line any part of the cooktop. Doing so may result in carbon monoxide poisoning, overheating of the cooktop surfaces, or a potential fire hazard.

READ AND SAVE THESE INSTRUCTIONS

IMPORTANT SAFETY INFORMATION

READ ALL INSTRUCTIONS BEFORE USING THE APPLIANCE

▲WARNING OVEN SAFETY INSTRUCTIONS

▲WARNING NEVER cover any slots, holes, or passages in the oven bottom or cover an entire rack with materials such as aluminum foil or oven liners. Doing so blocks air flow through the oven and may cause carbon monoxide poisoning. Never place foil or oven liners on the oven bottom. They can trap heat causing risk of smoke or fire.

- Stand away from the range when opening the oven door. Hot air or steam which escapes can cause burns to hands, face and/or eyes.
- Never place cooking utensils, pizza or baking stones, or any type of foil or liner on the oven floor. These items can trap heat or melt, resulting in damage to the product and risk of shock, smoke or fire.
- Place oven racks in desired location while oven is cool. If rack must be moved while oven is hot, be careful to avoid touching hot surfaces.
- Do not leave items such as paper, cooking utensils, or food in the oven when not in use. Items stored in an oven can ignite.
- Do not leave items on the cooktop near the oven vent. Items may overheat resulting in a risk of fire or burns.
- Never broil with door open. Open-door broiling is not permitted due to overheating of control knobs.

PROPER DISPOSAL OF YOUR APPLIANCE

Dispose of or recycle your appliance in accordance with Federal and Local Regulations. Contact your local authorities for the environmentally safe disposal or recycling of your appliance.

How to Remove Protective Shipping Film and Packaging Tape

Carefully grasp a corner of the protective shipping film with your fingers and slowly peel it from the appliance surface. Do not use any sharp items to remove the film. Remove all of the film before using the appliance for the first time.

To assure no damage is done to the finish of the product, the safest way to remove the adhesive from packaging tape on new appliances is an application of a household liquid dishwashing detergent. Apply with a soft cloth and allow to soak.

NOTE: The adhesive must be removed from all parts. It cannot be removed if it is baked on.

Consider recycling options for your appliance packaging material.

READ AND SAVE THESE INSTRUCTIONS

USING THE RANGE

On initial setup, this range requires a software update to enable all features. To perform the update, download the SmartHQ app and then follow instructions to connect the range to your home wifi network. Some features are available only via the SmartHQ app. For more information on how to get connected, reference the “Wifi & Remote Enable” section of this guide.

CONNECTING YOUR WIFI ENABLED RANGE

Your range is designed to provide you with two-way communication between your appliance and smart device. By using the SmartHQ mobile app, you will be able to control essential range operations such as temperature settings and cooking modes using your smartphone or tablet.*

What you will need

Your range uses your existing home WiFi network to communicate between the appliance and your smart device. In order to setup your range, you will need to gather some information:

1. Each range has a connected appliance information label that includes an Appliance UPD ID. This is an important detail that you will need to connect to the appliance. The label is typically located inside the door of the oven or drawer.

Connected Appliance Information	
Contains FCCID: ZKJ-WCATA009	UPD ID: XX-XX-XX-XX-XX-XX
Contains IC: 10229A-WCATA009	
MAC ID: D8-28-C9-XXXXXXXX	PT. NO. XXXXXXXXXXXX

Sample Label

2. Have your smart phone or tablet ready with the ability to access the internet and download apps.
3. You will need to know the password of your home WiFi router. Have this password ready while you are setting up your range.

Connect your range

1. On your smart phone or tablet visit monogram.com/connect to learn more about connected appliance features and to download the SmartHQ mobile app.
2. Follow the app onscreen instructions to connect your range.
3. Once the process is complete, the connection icon will change to a solid on state when connection is successful.

4. If the connection icon does not change to a solid on state, follow the instructions on the app to reconnect. If issues continue please call at 800.220.6899 and ask for assistance regarding range wireless connectivity.

To connect additional smart devices, repeat steps 1 and 2.

Note that any changes or modifications to the remote enable device installed on this range that are not expressly approved by the manufacturer could void the user's authority to operate the equipment.

* Compatible Apple or Android devices and home WiFi network required.

REMOTE ENABLE EQUIPMENT

This device complies with part 15 of the FCC Rules. Operation is subject to the following two conditions: (1) This device may not cause harmful interference, and (2) this device must accept any interference received, including interference that may cause undesired operation.

The wireless communication equipment installed on this range has been tested and found to comply with the limits for a Class B digital device, pursuant to part 15 of the FCC Rules. These limits are designed to:

(a) provide reasonable protection against harmful interference in a residential installation. This equipment generates, uses, and can radiate radio frequency energy and, if not installed and used in accordance with the instructions, may cause harmful interference to radio communications. However, there is no guarantee that interference will not occur in a particular installation. If this equipment does cause harmful interference to radio or television reception, which can be determined by turning the equipment off and on, the user is encouraged to try to correct the interference by one or more of the following measures:

- Reorient or relocate the receiving antenna.
- Increase the separation between the equipment and receiver.
- Connect the equipment into an outlet on a circuit different from that to which the receiver is connected.
- Consult the dealer or an experienced radio/TV technician for help.

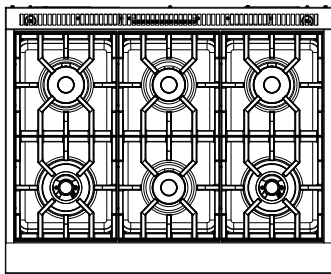
(b) accept any interference received, including interference that may cause undesired operation of the device.

Note that any changes or modifications to the wireless communication device installed on this range that are not expressly approved by the manufacturer could void the user's authority to operate the equipment.

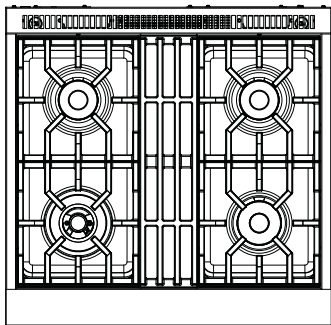
USING THE RANGE

FEATURES OF THE RANGE AND COOKTOP

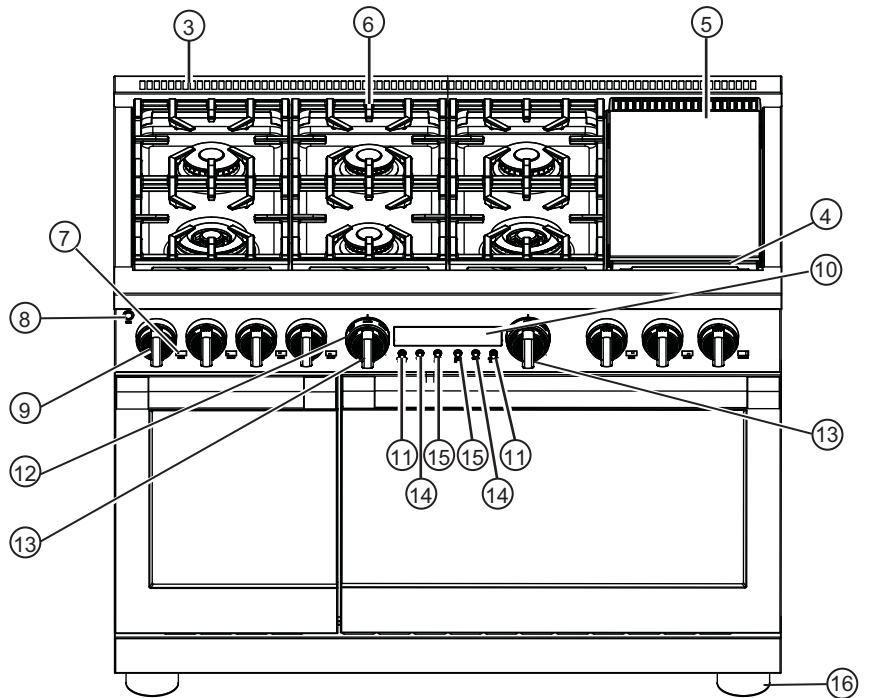
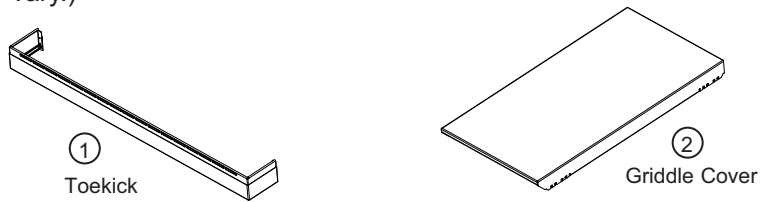
(Not all features are on all models. Appearance may vary.)



6 gas burners



4 gas burners



Double oven model shown includes a left oven.

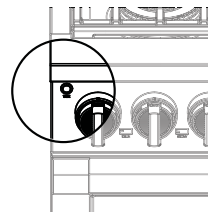
	Feature Index	Page
1	Toekick	
2	Griddle Cover (on some models)	
3	Oven Vents	20
4	Griddle Grease Trough (on some models)	40
5	Griddle (on some models)	14, 40
6	Cooktop Burner Grates	13, 40
7	Burner Location Indicator	
8	Accent Lighting Control	11
9	Burner Control Knob with Lighted Bezel	12, 33
10	Oven Display	16, 22, 34, 35
11	Mini Knob (to select PROBE, TIMER and Settings)	16-19, 28, 33-35
12	Oven Mode Selector	16, 22, 34, 35
13	Oven Temperature Knob	16, 22, 34, 35
14	Kitchen Timer	16, 17
15	Oven Light	16, 38
16	Leveling System (4)	

USING THE RANGE

ACCENT LIGHTING CONTROL

This button controls the LED accent lighting to the control panel. Custom color options for the knob and task lighting are available through the app.

- LED Accent light ON
- LED Accent light ON and knob lights ON
- All OFF



IN CASE OF A POWER FAILURE

In the event of a power failure, the oven is inoperable and no attempt should be made to operate it. However, the surface burners may be lit with a match. Using extreme

caution, hold a lit match near the ports beneath the surface burner cap, then slowly turn the knob to the LITE position. Once lit, surface burners will continue to operate normally.

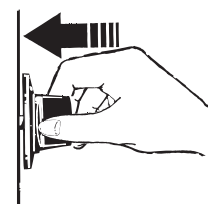
SURFACE BURNERS

Lighting a Surface Burner

⚠ WARNING Burners should be operated only when covered by cookware. Burner flames not covered by cookware present a risk of fire or clothing ignition. Never let flames extend beyond the sides of the cookware. Failure to comply may result in serious injury.

Make sure all burners are in their correct locations and fully assembled before attempting to operate any burner. Select a burner and find its control knob. Push the knob in and turn it to the LITE position.

You will hear a clicking noise—the sound of the electric spark igniting the burner. When one burner is turned to LITE, all burners will spark. Sparking will continue as long as the knob remains at LITE. Once gas is ignited, turn the knob to adjust the flame size.



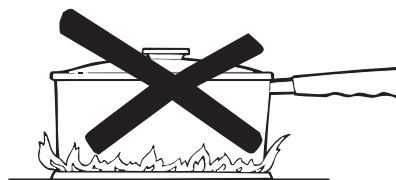
Push the control knob in and turn it to the LITE position.

Automatic Reignition

The burners on this range will automatically relight if the flame goes out.

Selecting a Flame Size

Watch the flame, not the knob, as you adjust heat. When rapid heating is desired, the flame size should match the size of the cookware you are using. Flames larger than the bottom of the cookware will not heat faster and may be hazardous.



These flames are too large for the pot

Using the Surface Burners

NOTES:

- Do not operate the burner for an extended period of time without cookware on the grate. The finish on the grate may discolor or chip without cookware to absorb the heat.
- Do not attempt to disassemble any burner while another burner is on. Damage to the product may occur.
- Be sure the burners and grates are cool before you place your hand, a pot holder or cleaning materials on them.

Your rangetop has sealed gas burners that offer convenience, cleanability and flexibility for a wide range of cooking applications.

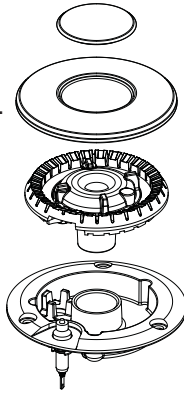
USING THE RANGE

SURFACE BURNERS (cont.)

Types of Surface Burners

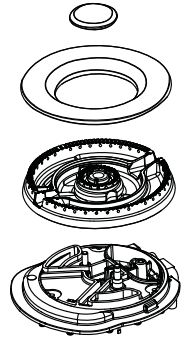
Dual-Flame Stacked Burner:

Use this burner for general cooking purposes. Size cookware appropriately to the flames.



Multi-Ring Burner:

Use this burner for large cookware or for simmering applications.



Dual-Flame Stacked Burners

Dual-Flame Stacked burners on your range have two sets of flames stacked one on top of the other; the dual-flame burners have a lower (simmer) flame and a upper (main) flame.

When a burner is turned on, the lower flame will always light and stay on.

Simmering:

The stacked burner design provides a wide range of heat settings with which to simmer. Depending on the type and quantity of food, and pan size, the flame can be adjusted to suit your specific need.

Cooking:

Settings from **LO** to **MED** will use both upper and lower flames. Use **HI** for larger diameter cookware.

HI is intended to sear foods quickly and boil large quantities of water.

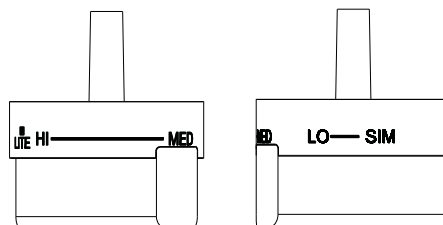


Dual Stack burners are supplied with black enamel caps and brass inserts that sit in the center. The inserts may be removed depending on consumer preference.

Multi-Ring Burner

The Multi-Ring Burner has an inner and outer ring of flame. For large cookware, activate all rings by setting the burner between Hi and Med.

For small cookware or low heating applications, only activate the inner rings by setting the burner between Lo and Sim.



Top View Of The Multi-Ring Burner Knob

Multi-ring burners are supplied with both brass and black enamel caps, either can be used depending on consumer preference.

TOP-OF-RANGE COOKWARE

Aluminum: Medium-weight cookware is recommended because it heats quickly and evenly. Most foods brown evenly in an aluminum skillet. Use saucepans with tight-fitting lids when cooking with minimum amounts of water.

Stainless Steel: This metal alone has poor heating properties and is usually combined with copper, aluminum or other metals for improved heat distribution. Combination metal skillets usually work satisfactorily if they are used with medium heat or as the manufacturer recommends.

Cast-Iron: If heated slowly, most skillets will give satisfactory results.

Enamelware: Under some conditions, the enamel of some cookware may melt. Follow the cookware manufacturer's recommendations for cooking methods.

Glass: There are two types of glass cookware—those for oven use only and those for top-of-range cooking (saucepans, coffee and teapots). Glass conducts heat very slowly.

Heatproof Glass Ceramic: Can be used for either surface or oven cooking. It conducts heat very slowly and cools very slowly. Check the cookware manufacturer's directions to be sure it can be used on gas ranges.

USING THE RANGE

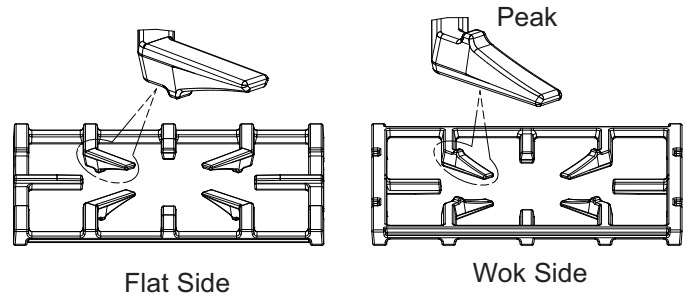
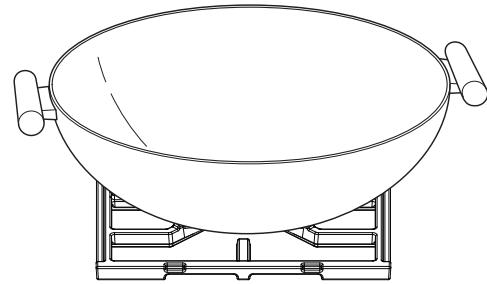
WOK COOKING

The burner grates are uniquely designed to cook on either side. The flat side accommodates flat bottom cookware (stockpots, sauce pans, frying pans and flat bottom woks), while the wok side is designed to hold a wide variety of round bottom woks from 14" to 16" without the need for a separate ring.

For easy access, a front burner location is recommended for wok cooking.

The front left or right burner is recommended for wok cooking on 36" and 48" ranges and left front on 30" ranges.

⚠ WARNING Do not use a wok support ring. Placing the ring over the burner or grate may cause the burner to work improperly, resulting in carbon monoxide levels above allowable standards. This could be hazardous to your health.



USING THE RANGE

GRIDDLE (on some models)

▲WARNING Fire Hazard

- Use care when cooking greasy foods. Spilled grease may result in fire.
- Never place any items on the griddle when it is not in use. Heat from surrounding burners can heat the griddle and may result in fire.
- Place and remove the griddle only when griddle is cool and all surface burners are turned OFF.

GRIDDLE SAFETY PRECAUTIONS, LEVELING

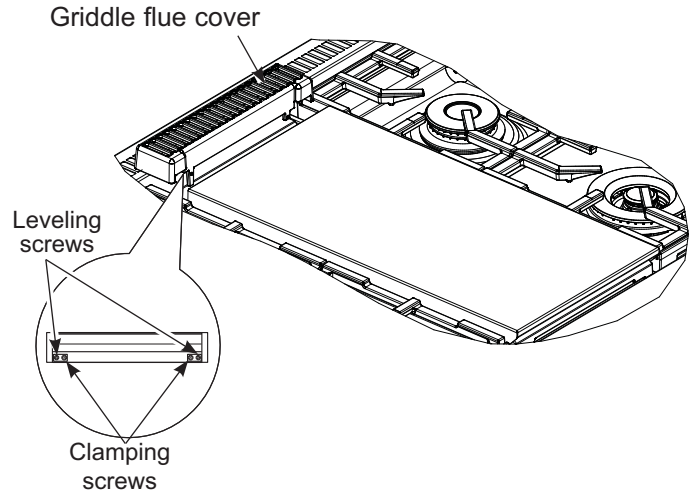
Remove the metal cover before turning the griddle on.

The griddle assembly should not be removed for cleaning.

Once the unit is in position, the griddle can be leveled. Remove the flue cover by lifting it straight up. Be careful not to scratch the surrounding stainless steel surfaces during removal of the flue cover.

The two inner screws are clamping screws for securing the griddle in place. Loosen these two screws before leveling. Do not remove these two screws.

The two outer screws are leveling screws. Do not remove these two screws. They can be turned to level the griddle or to provide a forward slope to help grease and oils to drain away from the food being cooked. After the first few uses, you will be able to judge the slope best suited for the foods you are cooking and personal preference.



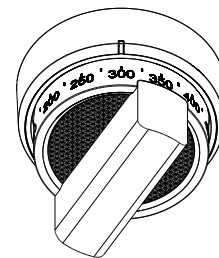
After leveling the griddle, tighten the clamping screws to secure griddle in place. Hand tighten screws; do not over-tighten.

USING THE GRIDDLE

Clean the griddle thoroughly with hot soapy water before first use and after subsequent uses. The griddle surface is made of durable, highly polished Type 304 stainless steel backed by an aluminum plate for even heat distribution. Apply a light coating of cooking oil to the griddle surface to help prevent food from sticking.

To heat the griddle, push in and turn the control knob to the desired temperature setting. The light on the bezel will glow to indicate that the thermostat control is working. The griddle is thermostatically controlled and can be set to maintain any temperature from 200°F to 450°F. Permit the griddle to preheat for 10 minutes before placing food on it.

NOTE: Unlike the surface burners which use spark igniters, the griddle uses a hot surface igniter. Gas flows to the griddle burner and ignites 45 seconds after the control knob is turned to a set temperature.



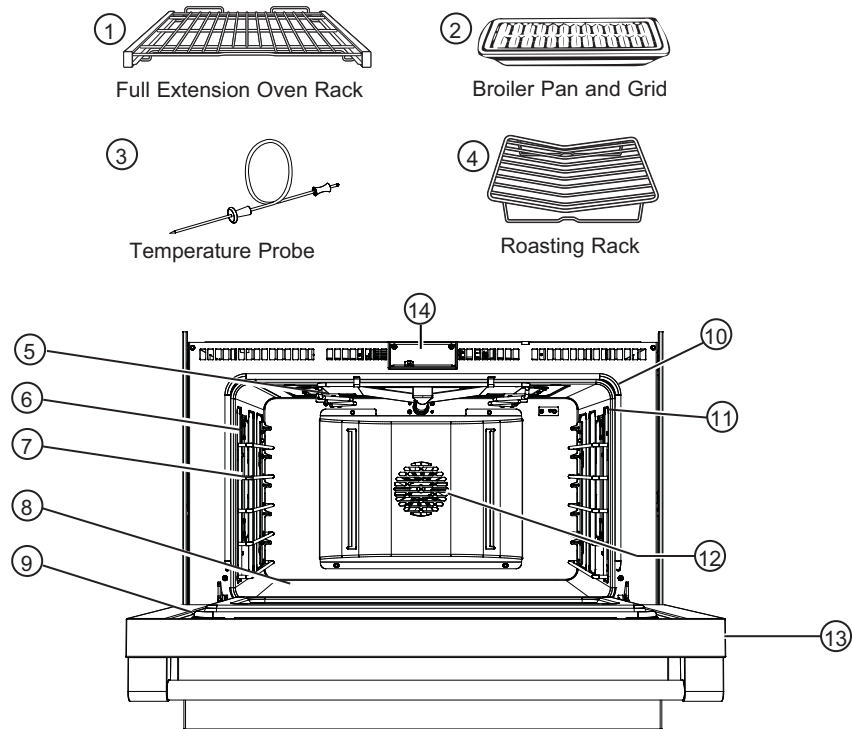
Food Item	Temperature Setting
Pancakes	375°F
Hamburgers	400°F
Bacon*	400°F
Grilled Cheese	350°F
Eggs	275°F

*NOTE: Place bacon on a cold griddle. Do not preheat.

USING THE RANGE

FEATURES OF THE OVEN

NOTE: Not all features are on all models.

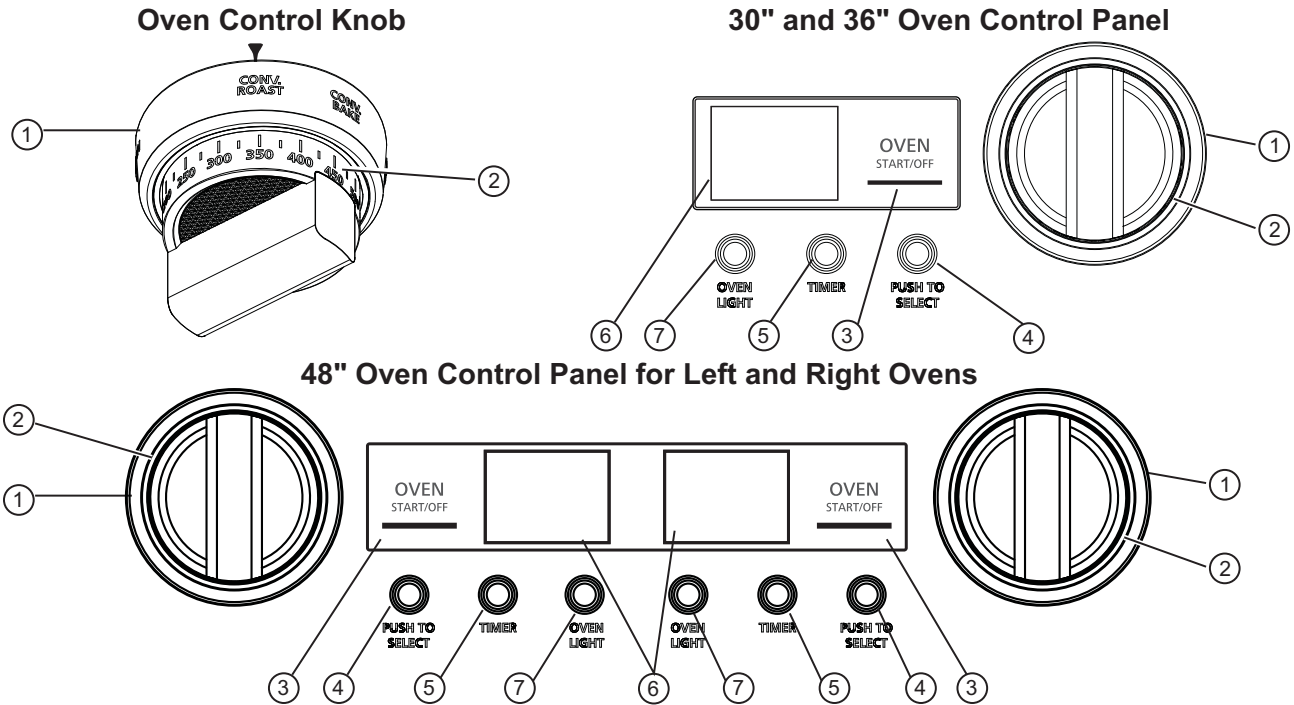


	Feature Index	Page
1	Full Extension Oven Rack(s) — 3 in oven (Right Oven on 48" models) — 2 in left oven	20, 21, 36
2	Broiler Pan and Grid - 1 large in oven (Right oven on 48" models), 1 small in left oven	25, 33
3	Temperature Probe	28, 29, 36
4	Roasting Rack	25, 33
5	Broil System	
6	Halogen Oven Columns	38
7	Oven Rack Supports — 5 positions in oven (Right Oven on 48" models) — 4 positions in left oven	20, 21, 36
8	Hidden Bake Burner (under oven floor)	
9	Oven Door Seal	35
10	Oven Frame Seal	35
11	Temperature Probe Outlet — right side in oven (Right Oven on 48" models) — left side in left oven	38, 29
12	Convection Fan	22, 24
13	Soft-Close Oven Door	37
14	Automatic Oven Door Latch	

NOTE: On models equipped with 2 ovens, both ovens have same features.

USING THE RANGE

OVEN CONTROL AND TIMER



- 1 Oven Mode Selector** – Turn outer ring to select:
- Traditional Cooking Modes:** Your oven has the following traditional cooking modes: Bake, and Broil.
- Convection Cooking Modes:** Convection cooking mode uses increased air circulation to improve performance.
- Warm:** Warm mode is designed to keep hot foods at a higher temperature for up to 3 hours.
- Proof:** Proof mode maintains a warm environment for rising yeast-leavened dough.
- See the Oven Modes section for more information.
- Clean:** Select for the self-cleaning and steam-cleaning function. See the Care and Cleaning section of this manual.

- 2 Oven Temperature Knob** – Turn to select: Temperatures from 175°F to 550°F.
- LOW BROIL** – A lower broiling temperature is automatically set.
- HIGH BROIL** – A higher broiling temperature is automatically set.
- CLEAN** – The clean temperature is automatically set.

The illuminated oven knob flashes orange during preheat and turns solid orange when the oven is preheated. Below are the corresponding illuminated oven knob colors for each Oven Mode.

Custom color options for the knob and task lighting are available through the app.

Illuminated Color	Oven Mode
Blue	App
White	Steam Clean
Red	Fault
Orange	Bake/Broil
Yellow	Warm
No Light	Off

- 3 Display Button** – Must be pressed to start any cooking, or cleaning function. Cancels ALL oven operations except the timer.
- 4 Mini Knob** – Turn to select and push to enter PROBE or TIMER settings. Press the Mini Knob when the display is idle to access more detailed menus for additional functions. See the Settings section for more information.
- 5 Timer Button** – Push to select the kitchen timer function that works as a countdown timer. The oven will continue to operate when the timer countdown is complete. Turn to select and push to enter TIMER settings.
- NOTE:** The timer cannot be used while the oven is self-cleaning. (On double oven models, the timer for the oven that is not in the self-cleaning mode may be used.)
- 6 Oven Display** – Displays oven functions such as oven and probe temperatures and kitchen timer.
- 7 Oven Light** – Push to turn Oven Light ON and OFF.
- The Oven Mode Selector (1) AND the Oven Temperature Knob (2) must be set together in one of the following valid pairings:

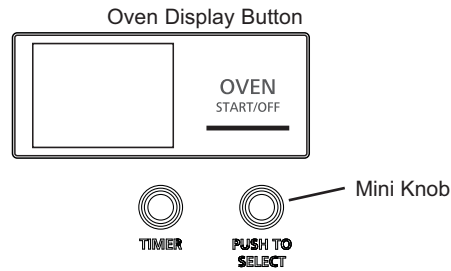
Oven Mode Selector	Oven Temperature Knob
BAKE	175° to 550°F
CONV BAKE	175° to 550°F
CONV ROAST	175° to 550°F
CONV BROIL	HIGH or LOW BROIL
BROIL	HIGH or LOW BROIL
WARM	—
PROOF	—
CLEAN	CLEAN

After Mode and temperature are selected, press oven display button **START/OFF** to turn the oven ON or OFF.

To cancel a feature, press oven display button START/OFF.

USING THE RANGE

OVEN CONTROL AND TIMER (Cont.)



Timer

NOTE: The timer is independent of all the other functions and does not control the oven.

To set the timer:

1. Push the **TIMER** button.
2. Turn the **Mini Knob** to adjust any length of time up to 12 hours and push to select it.

On double oven models, each oven control has its own timer function. Each timer can be set independently.

The control will beep with 1 minute remaining and the display will show seconds until the timer counts down to :00. When the timer reaches :00, the control will beep 3 times followed by one beep every 6 seconds until the Mini Knob is pushed.

To cancel the timer:

Press and hold the **Mini Knob** for 3 seconds.

USING THE RANGE

SETTINGS

Mini Knob opens up more detailed menus in the display that allow access to additional functions. For each setting you select the function in the display by pressing and turning the Mini Knob. Press the **Mini Knob** to select the option. You can exit at any time by selecting **Back** in the display.

WiFi CONNECT AND REMOTE ENABLE

Your range is designed to provide you with two-way communication between your appliance and smart device. By using the WiFi Connect features, you will be able to control essential range operations such as temperature settings, timers and cooking modes using your smartphone or tablet.*

Select **Settings** then **Wifi** - follow the instructions on your range display and phone app. It is necessary to turn on WiFi before using Remote Enable on your range.

See the Connecting Your Wifi Enabled Range section, on page 9, for the full process of how to connect the range.

Bluetooth® - Chef Connect

This is a pairing feature for use with other compatible **Chef Connect** enabled products like an over-the-range microwave range or range hood. To pair those products to the range, press the **Mini Knob** and select **Bluetooth®**. Select **Pair** and follow the corresponding instructions included with the mating Chef Connect enabled product. The range will cancel pairing mode after two minutes if no mating device is detected. Select **Remove** to confirm product is paired or to un-pair from range.

Auto Conv (Auto Conversion)

When using Convection Bake and Convection Roast cooking, Auto Recipe Conversion will automatically convert the regular baking temperatures entered to convection bake cooking temperatures when turned on. Note that this option does not convert convection bake cooking times, it only converts temperatures. This feature may be turned On or Off. Press the **Mini Knob** and turn to select **AUTO CONVERT** then follow the prompts to turn this feature on or off.

Auto Off

This feature shuts the range down after 12 hours of continuous operation. It may be enabled or disabled. Press the **Mini Knob** and turn to select **12HR SHUTOFF** to turn this feature on or off.

Sound

You can adjust the volume and type of alert your appliance uses. Press the **Mini Knob** and turn to select **SOUND**. Follow prompts for making volume adjustments or for changing between repeated and single alert tones. A repeated setting will continue to sound a tone until a button on the control is pressed. The range tone volume can be adjusted. The control will sound the range tone at the new volume level each time the sound level is changed.

F/C (Fahrenheit or Celsius)

The range control is set to use Fahrenheit temperatures (F), but you can change it to use Celsius temperatures (C). Press the **Mini Knob** and turn to select **TEMP UNIT**. Select **F/C** to alter between temperature scales displayed.

* Compatible Apple or Android devices and home WiFi network required.

USING THE RANGE

SETTINGS (Cont.)

Oven Thermostat Adjustment

This feature allows the oven baking temperature to be adjusted up to 35° hotter or down to 35° cooler. Use this feature if you believe your oven temperature is too hot or too cold and wish to change it. This adjustment affects every cooking mode except broil.

1. Turn the **Mini Knob** and push to select ADJUST TEMP.
2. Turn the **Mini Knob** again to select the oven thermostat you want to adjust and push to select.
3. Turn the **Mini Knob** to adjust the oven thermostat up to 35° hotter or (-) 35° cooler in 1° increments.

Oven Info

Select **Settings**, **More**, and **Oven Info** to turn this feature on or off. This setting displays Model Number and Software Version.

Model and Serial Number

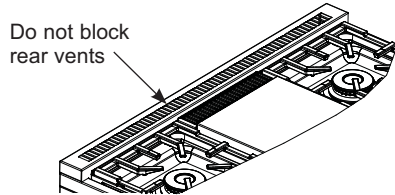
Press the **Mini Knob** and turn to select **MODEL SERIAL** to display the model and serial number for your unit.

USING THE RANGE

OVEN AIR VENTS

Never block the vents (air openings) of the range. They provide the air inlet and outlet that are necessary for the range to keep cool and operate properly with correct combustion.

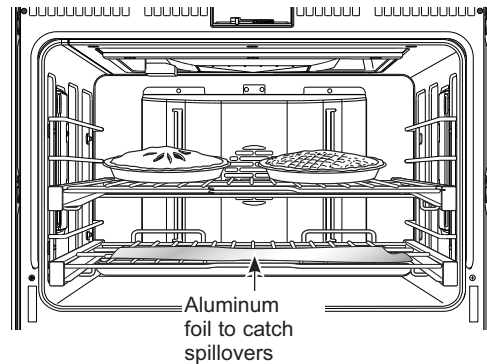
Air openings are located at the rear of the cooktop, at the top and bottom of the oven door, and at the bottom of the range.



ALUMINUM FOIL AND OVEN LINERS

CAUTION Do not use any type of foil or oven liner to cover the oven bottom. These items can trap heat or melt, resulting in damage to the product and risk of shock, smoke or fire. Damage from improper use of these items is not covered by the product warranty.

Foil may be used to catch spills by placing a sheet on a lower rack, several inches below the food. Do not use more foil than necessary and never entirely cover an oven rack with aluminum foil. Keep foil at least 1-1/2" from oven walls to prevent poor heat circulation.



OVEN RACKS

CAUTION To avoid possible burns, place the racks in the correct position before turning on the oven.

Recommended rack positions for various types of food are provided in the Cooking Guide. Adjusting rack position is one way to impact cooking results. For example, if you would prefer darker tops on cakes, muffins, or cookies, try moving food one rack position higher. If you find foods are too brown on top try moving them down next time.

When baking with multiple pans and on multiple racks, ensure there is at least 1 1/2" between pans to allow sufficient space for air to flow.

Your Oven may have extension racks and/or low profile racks.

Refer to the Cooking Guide and Oven Modes sections for rack position recommendations.

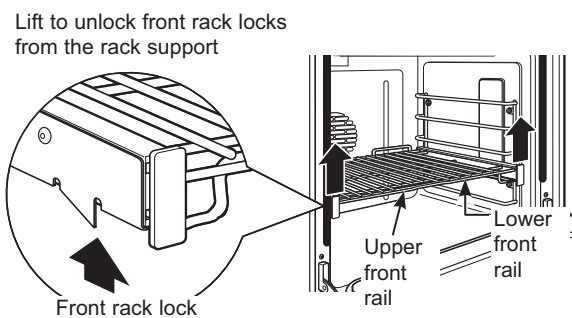
Full Extension Oven Racks

The racks have a frame that locks into the rack supports on both sides. Once the frame is locked into place, always pull the rack out, by its upper front rail, to its full extension stop position, when placing or removing cookware.

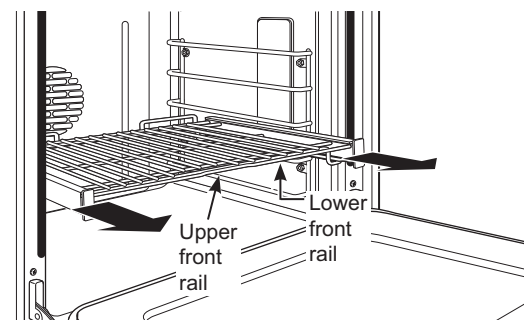
Remove and Replace Oven Racks

To remove a rack:

1. Make sure the rack is pushed all the way into the oven.
2. Grasp the rack by both its upper front rail and its lower front rail and lift straight up to unlock the front rack locks from the rack supports.



3. Firmly holding onto both the upper and lower front rack rails, pull the rack forward and remove it from the oven.

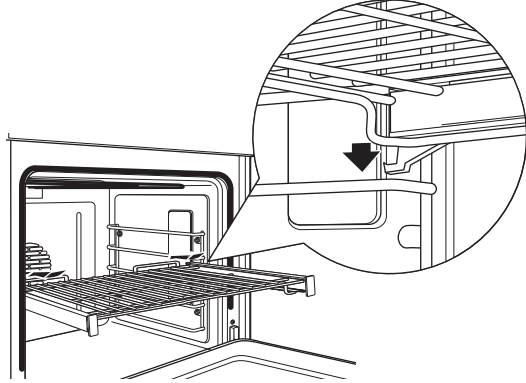


USING THE RANGE

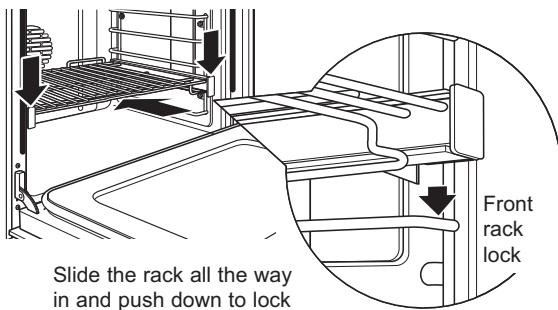
OVEN RACKS (Cont.)

To replace a rack:

1. Place the rear rack locks over and onto the rack supports (five rack positions are available including the top position).



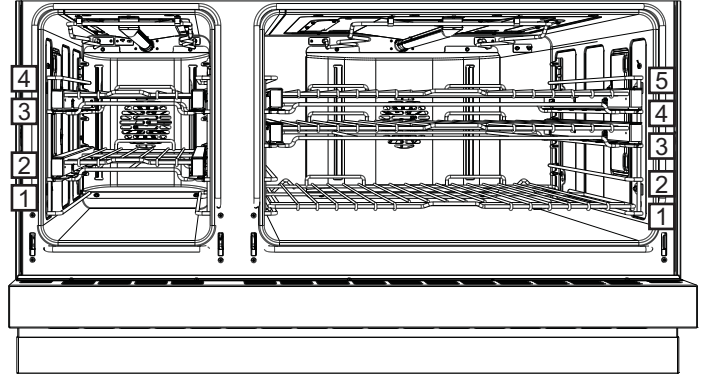
2. Slide the rack all the way in until the rear rack locks are secure on the rear rack supports and press the front rack locks onto the front rack supports.



Slide the rack all the way in and push down to lock the front rack locks onto the front rack supports

3. Pull the rack all the way out to check that it is properly engaged. If extension racks are difficult to replace or remove, wipe the oven rack supports with cooking oil. Do not wipe oil on the rack slides.

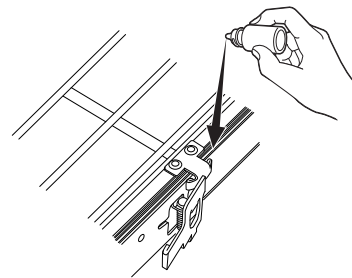
Racks may become difficult to slide, especially after a self-clean cycle. To improve sliding conditions, use a soft cloth or paper towel to rub vegetable oil on the left and right edges of the racks and/or rack supports.



NOTE: Remove unused racks when using the oven for faster preheat, improved efficiency, and optimal cooking performance.

To lubricate the paddle:

Shake lubricant and apply to the moving parts of the paddle mechanisms as shown.



USING THE RANGE

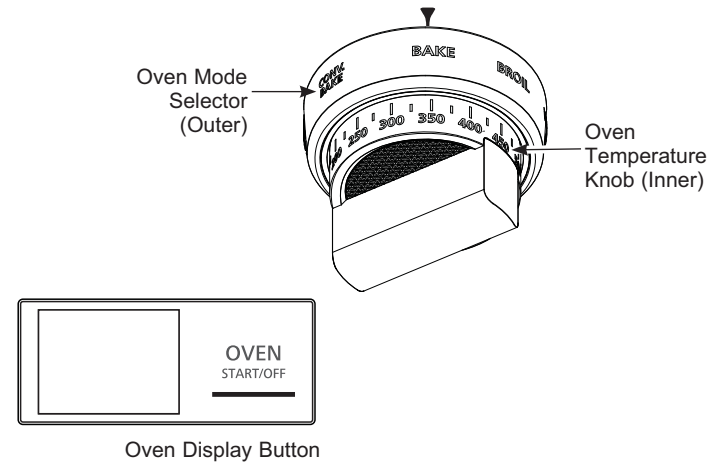
OVEN MODES

Your new oven has a variety of cooking modes to help you get the best results. The modes are described below. Refer to the Cooking Guide section for recommended rack positions and other tips for using these modes. Place racks in the desired position(s) prior to starting the oven.

For some cooking modes, such as Bake, Convection Bake, and Convection Roast, the oven will preheat and a tone will sound when the oven is ready for cooking. Some cooking modes do not require preheating. To reduce preheat times, remove unused racks and avoid opening the oven door until the preheat tone sounds.

While in use, oven heaters and the convection fan will cycle on and off as needed to maintain appropriate cooking conditions. Avoid frequently opening the oven door, as this can impact cooking times and performance.

NOTE: A cooling fan will turn on to cool internal parts. This is normal, and the fan may continue to run even after the oven is turned off.



BAKING

The Bake mode is intended for single rack cooking. When preparing baked goods such as cakes, cookies and pastries, always preheat the oven first.

How to Set the Oven for Baking

1. Turn the Oven Mode Selector to **BAKE**.
2. Using the Oven Temperature Knob, set the desired temperature, in 25°F increments, from 175°F to 550°F.
3. After Bake Mode and temperature are selected, press oven display button **START/OFF** to turn oven ON.

The oven will now begin to preheat. The temperature display will begin at 100°F.

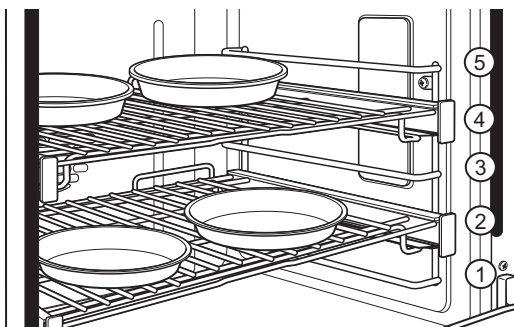
The preheat tune will sound when the oven is preheated and food can now be placed inside the oven.

4. Press oven display button **START/OFF** to turn oven OFF when baking is finished.

Use the temperature probe when a precise internal temperature is important. See the Temperature Probe section for more information.

For best results when baking 4 cake layers, place four pans using racks 2 and 4. Stagger the pans so that one pan is not directly above another as shown above.

See the oven racks section for how to use, remove and replace the racks.



BAKING GUIDE

TYPE OF FOOD	RECOMMENDED RACK POSITION(S) LEFT OVEN (48" models only)	RECOMMENDED RACK POSITION(S) OVEN or RIGHT OVEN (48" models only)
Layer cakes, sheet cakes, bundt cakes, quick breads on a single rack	2	2 or 3
Layer cakes on multiple racks	-	2 and 4
Chiffon cakes (angel food)	1	1
Cookies, biscuits, scones, muffins on a single rack	2	2 or 3
Yeast Breads	2	2 or 3
Roasts	2	2 or 3
Whole Chicken	2	2 or 3
Bone-in chicken breasts, legs, thighs	2	2 or 3
Boneless chicken breasts	2	2 or 3
Whole turkey	-	1 or 2
Turkey breast	1 or 2	2 or 3
Casseroles	2 or 3	2 or 3
Pizza on a single rack	2	2 or 3
Potato products, chicken nuggets, appetizers on a single rack	2	2 or 3
Vegetables	2 or 3	3 or 4

Suggested shelf positions are intended as general guidelines. Experiment with these positions for specific foods and personal preference.

USING THE RANGE

BROILING

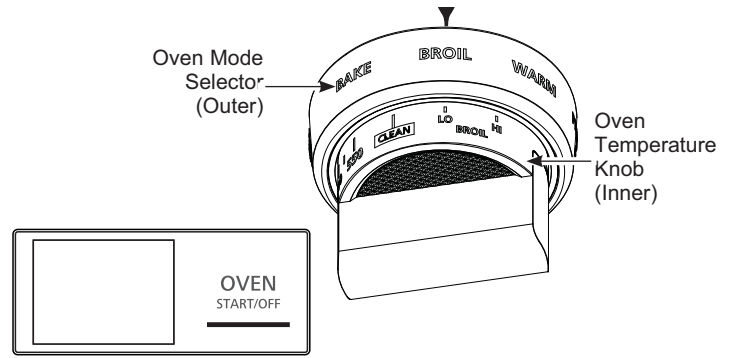
The Broil modes are intended for searing and crisping. Always broil with the oven door closed. Monitor food closely while broiling. Use caution when broiling on the upper rack positions as placing food closer to the broil burner increases smoking, spattering and the possibility of fats igniting.

Try broiling foods that you would normally grill. Adjust rack positions to adjust the intensity of the heat to the food. Place foods closer to the broil burner when a seared surface and rare interior is desired. Thicker foods and foods that need to be cooked through should be broiled on a lower rack position or by using a lower broil setting.

Use Broil High for thinner cuts of meat and/or when you would like to have a seared surface and rare interior. Use Broil Low for thicker cuts of meat and/or foods that you would like cooked all the way through. It is not necessary to preheat when using broil modes; however, preheating for 5-10 minutes is recommended for better searing results.

How to Set the Oven for Broiling

1. Turn the Oven Mode Selector to **BROIL**
2. Turn the Oven Temperature Knob to **LO BROIL** or **HI BROIL**. **LO** or **HI** will appear in the display.
3. After Broil Mode and setting are selected, press oven display button **START/OFF** to turn oven ON.



Oven Display Button

NOTE: Always broil with the door closed. If the door is left open, the display will display “CLOSE DOOR” and the elements will not turn on until the door is shut.

4. Press oven display button **START/OFF** to turn oven OFF when broiling is finished.

NOTE: Broil can not be started if the temperature probe is plugged in. Never leave your probe inside the oven during a broil cycle.

Aluminum Foil

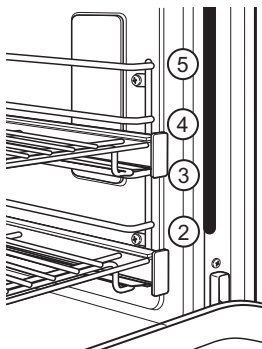
You can use aluminum foil to line the broiler pan and broiler grid. However, you must mold the foil tightly to the grid and cut slits in it just like the grid.



BROILING GUIDE

Due to the variety of meats and cuts available, you may select alternate rack positions based on personal preferences of doneness and external searing. For optimal searing, preheat oven for 5-10 minutes.

The size, weight, thickness, starting temperature and your preference of doneness will affect broiling times. This guide is based on meats at refrigerator temperature.



NOTE: In general, higher rack positions yield darker external searing and lower positions yield more doneness.

TYPE OF FOOD	SETTING	RECOMMENDED RACK POSITION(S) LEFT OVEN (48" models only)	RECOMMENDED RACK POSITION(S) OVEN or RIGHT OVEN (48" models only)
Hamburgers	HIGH	3 or 4	4 or 5
Steaks & Chops	HIGH	3 or 4	4 or 5
Fish	LOW	3 or 4 (1/2 inch thick or less) 2 or 3 (>1/2 inch)	4 or 5 (1/2 inch thick or less) 3 or 4 (>1/2 inch)
Bone-in chicken breasts, legs, thighs	LOW	2	2 or 3
Boneless chicken breasts	LOW	2	2 or 3
Vegetables	LOW	2 or 3	3 or 4

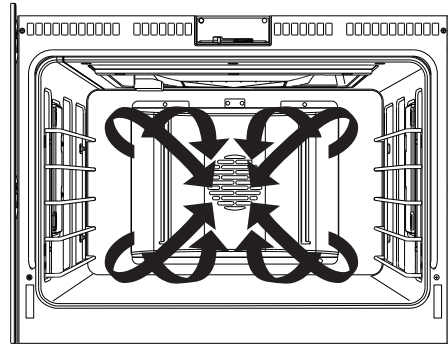
The U.S. Department of Agriculture says “Rare beef is popular, but you should know that cooking it to only 140°F means some food poisoning organisms may survive.” (Source: Safe Food Book. Your Kitchen Guide. USDA Rev. June 1985.)

USING THE RANGE

CONVECTION COOKING

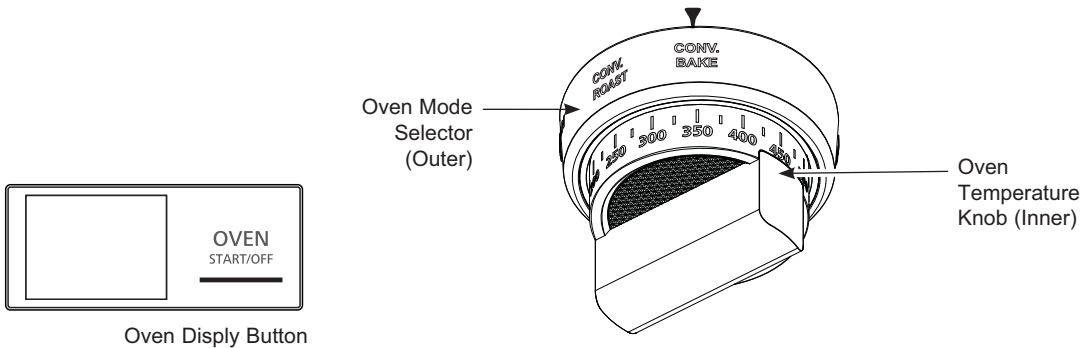
These modes utilize Precise Air to enhance cooking evenness, improve browning and/or reduce cooking times.

NOTE: The convection fan shuts off when the oven door is opened.



CONVECTION BAKING

The Convection Bake Multi Rack mode is intended for baking on multiple racks at the same time. This mode uses Precise Air to enhance cooking evenness. Your oven is equipped with Auto Recipe Conversion, so it is not necessary to adjust the temperature when using this mode. Always preheat when using this mode. Cooking times may be slightly longer for multiple racks than what would be expected for a single rack.



How to Set the Oven for Multi-Rack Convection Baking

1. Turn the Oven Mode Selector to **CONV BAKE**.
2. Using the Oven Temperature Knob, set the desired temperature, in 25°F increments, from 175°F to 550°F.
3. After Convection Mode and temperature are selected, press oven display button **START/OFF** to turn oven ON.

The oven will now begin to preheat. The temperature display will begin at 100°F.

The preheat tune will sound when the oven is preheated and food can be placed inside the oven.

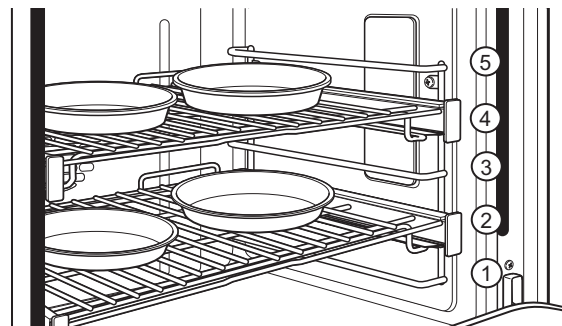
4. Press oven display button **START/OFF** to turn oven OFF when convection cooking is finished.

Use the temperature probe when a precise internal temperature is important. See the Temperature Probe section for more information.

For best results when baking 4 cake layers, place four pans using racks 2 and 4. Cakes should be centered front to back on both racks.

See the oven racks section for how to use, remove and replace the racks.

FOOD TYPE	RECOMMENDED RACK POSITION(S) LEFT OVEN (48" models only)	RECOMMENDED RACK POSITION(S) OVEN or RIGHT OVEN (48" models only)
Layer cakes on multiple racks	-	2 and 4
Cookies, biscuits, scones, muffins on multiple racks	2 and 3	2 and 4 1, 3, and 5
Pizza on multiple racks	-	2 and 4
Potato products, chicken nuggets, appetizers on multiple racks	2 and 3	2 and 4

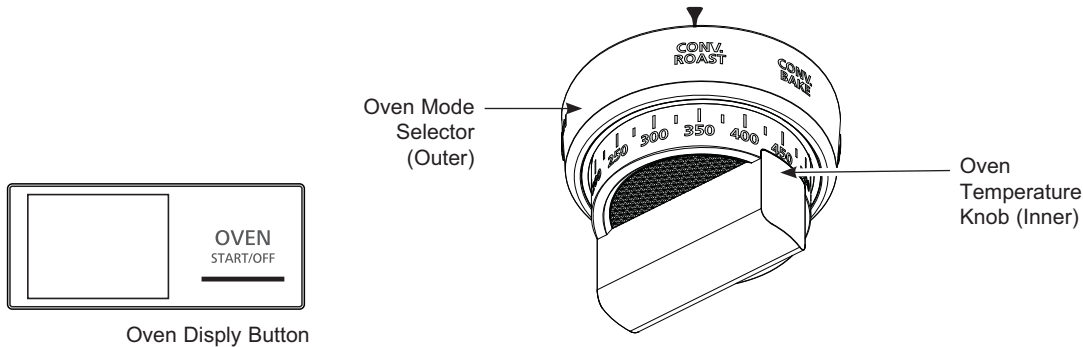


Suggested shelf positions are intended as general guidelines. Experiment with these positions for specific foods and personal preference.

USING THE RANGE

CONVECTION ROASTING

The Convection Roast mode is intended for roasting vegetables and whole cuts of meat on a single rack. This mode uses Precise Air to improve browning and reduce cooking time. Check food earlier than the suggested recipe time. It is not necessary to preheat when using this mode.



How to Set the Oven for Convection Roasting

1. Turn the Oven Mode Selector to **CONV ROAST**.
2. Using the Oven Temperature Knob, set the desired temperature, in 25°F increments, from 175°F to 550°F.
3. After Convection Mode and temperature are selected, press oven display button **START/OFF** to turn oven ON.

The oven will now begin to preheat. The temperature display will begin at 100°F.

The preheat tune will sound when the oven is preheated and food can be placed inside the oven.

4. Press oven display button **START/OFF** to turn oven OFF when convection cooking is finished.

Use the temperature probe when a precise internal temperature is important. See the Temperature Probe section for more information.

See the oven racks section for how to use, remove and replace the racks.

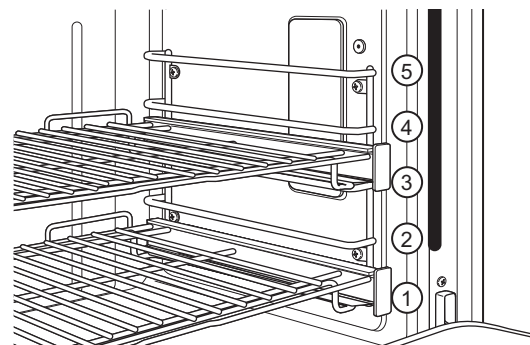
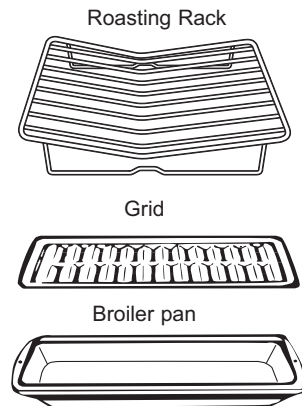
FOOD TYPE	RECOMMENDED RACK POSITION(S) LEFT OVEN (48" models only)	RECOMMENDED RACK POSITION(S) OVEN or RIGHT OVEN (48" models only)
Roasts	2	2 or 3
Whole Chicken	2	2 or 3
Whole turkey	-	1 or 2
Turkey breast	-	2
Potato products, chicken nuggets, appetizers on a single rack	2	2 or 3
Vegetables	2 or 3	3

Suggested shelf positions are intended as general guidelines. Experiment with these positions for specific foods and personal preference.

Convection Roasting Tips

Use the broiler pan, grid and the roasting rack for best results when roasting large cuts of meat. Use the broiler pan when roasting vegetables. Use the broiler pan and grid when roasting small cuts of meats.

To assemble, place the grid on the broiler pan and put the roasting rack over them.



USING THE RANGE

CONVECTION BROILING

The Convection Broil modes are intended for searing and crisping. Always broil with the oven door closed. Monitor food closely while broiling. Use caution when broiling on the upper rack positions as placing food closer to the broil burner increases smoking, spattering and the possibility of fats igniting.

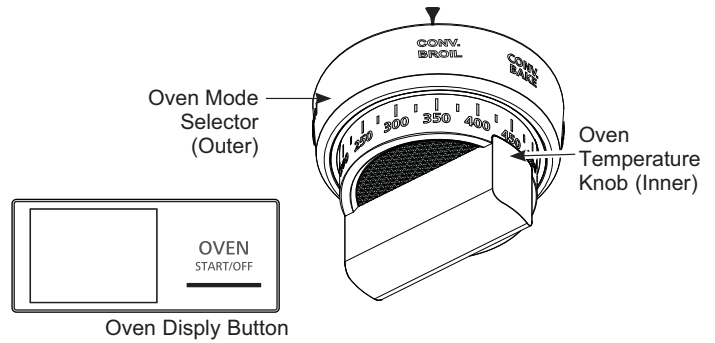
Try broiling foods that you would normally grill. Adjust rack positions to adjust the intensity of the heat to the food. Place foods closer to the broil burner when a seared surface and rare interior is desired. Thicker foods and foods that need to be cooked through should be broiled on a lower rack position or by using a lower broil setting.

The Convection Broil modes use the broil heater along with air movement for improved searing and browning. Use Convection Broil High for thinner cuts of meat and/or when you would like to have a seared surface and rare interior. Use the Convection Broil Low for thicker cuts of meat and/or foods that you would like cooked all the way through. It is not necessary to preheat when using Convection Broil modes; however, preheating for 5-10 minutes is recommended for better searing results.

How to Set the Oven for Convection Broiling

1. Turn the Oven Mode Selector to **CONV BROIL**.
2. Using the Oven Temperature Knob, set the desired temperature, in 25°F increments, from 175°F to 550°F.
3. After Convection Mode and temperature are selected, press oven display button **START/OFF** to turn oven ON.

The oven will now begin to preheat. The temperature display will begin at 100°F.



The preheat tune will sound when the oven is preheated and food can be placed inside the oven.

NOTE: Always broil with the door closed. If the door is left open, the display will display “CLOSE DOOR” and the elements will not turn on until the door is shut.

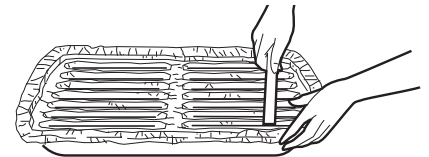
4. Press oven display button **START/OFF** to turn oven OFF when convection cooking is finished.

See the oven racks section for how to use, remove and replace the racks.

NOTE: Convection Broil can not be started if the temperature probe is plugged in. Never leave your probe inside the oven during a broil cycle.

Aluminum Foil

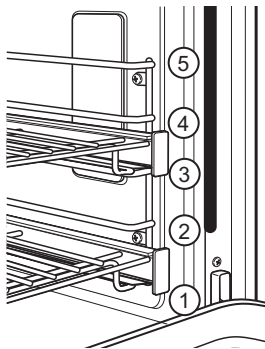
You can use aluminum foil to line the broiler pan and broiler grid. However, you must mold the foil tightly to the grid and cut slits in it just like the grid.



CONVECTION BROILING GUIDE

Due to the variety of meats and cuts available, you may select alternate rack positions based on personal preferences of doneness and external searing. For optimal searing, preheat oven for 5-10 minutes.

The size, weight, thickness, starting temperature and your preference of doneness will affect broiling times. This guide is based on meats at refrigerator temperature.



NOTE: In general, higher rack positions yield darker external searing and lower positions yield more doneness.

TYPE OF FOOD	SETTING	RECOMMENDED RACK POSITION(S) LEFT OVEN (48" models only)	RECOMMENDED RACK POSITION(S) RIGHT OVEN or OVEN (48" models only)
Hamburgers	HIGH	3 or 4	4 or 5
Steaks & Chops	HIGH	3 or 4	4 or 5
Fish	LOW	3 or 4 (1/2 inch thick or less) 2 or 3 (>1/2 inch)	4 or 5 (1/2 inch thick or less) 3 or 4 (>1/2 inch)
Bone-in chicken breasts, legs, thighs	LOW	2	2 or 3
Boneless chicken breasts	LOW	2	2 or 3
Vegetables	LOW	2 or 3	3 or 4

The U.S. Department of Agriculture says “Rare beef is popular, but you should know that cooking it to only 140°F means some food poisoning organisms may survive.” (Source: Safe Food Book. Your Kitchen Guide. USDA Rev. June 1985.)

USING THE RANGE

WARMING

The Warm mode is intended to keep hot foods hot. Cover foods that need to remain moist and do not cover foods that should be crisp. Preheating is not required. Do not use this mode to heat cold food other than crisping crackers, chips or dry cereal. It is also recommended that food not be kept warm for more than 2 hours.

How to Set the Oven for Warming

1. Turn the Oven Mode Selector to **WARM**. The display will show "WARM".
2. When warm is finished, turn the Oven Mode Selector to **OFF**

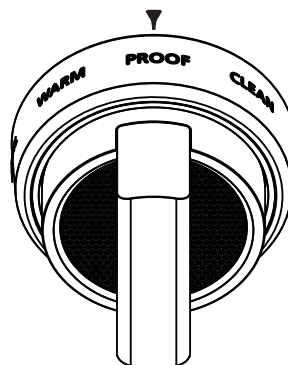
PROOFING

Proof mode maintains a warm environment for rising yeast-leavened dough. For best results, cover the dough while proofing and check early to avoid over-proofing.

How to Set the Oven for Proofing

Use rack position 2 or 3 in the oven (right Oven on 48" models). Use rack position 2 in the left oven.

1. Turn the Oven Mode Selector to **PROOF**. The display will show "PROOF". **PROOF** mode will not operate when oven is above 125°F. The display will scroll "too hot to proof". Allow the oven time to cool.
2. When proofing is finished, turn the Oven Mode Selector to **OFF**.



⚠ CAUTION Do not use the proofing mode for warming food or keeping food hot. The proofing oven temperature is not hot enough to hold foods at safe temperatures.

PRECISION COOKING - Available on SmartHQ

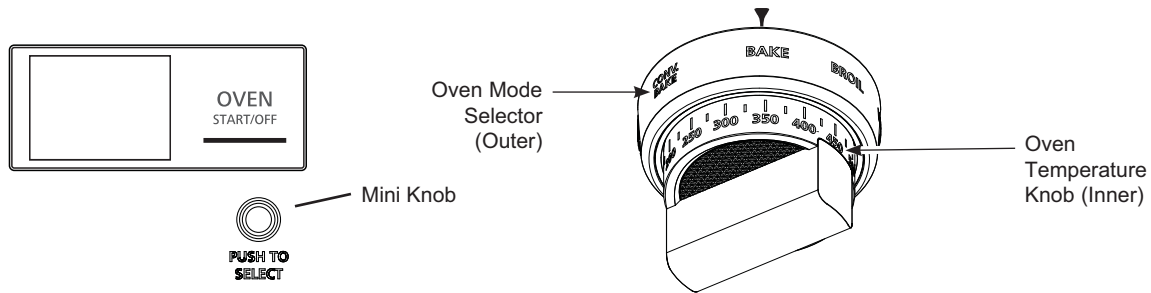
These modes provide guidance or pre-set cooking algorithms to assist the user in cooking various types of food. The selection you make in the Precision Cooking menu will guide you to input the information required to help cook your food. At the end of estimated cooking time, check the food to see if it is done to your liking. Note that differences in food shape, preparation and preferences for doneness can impact the time required to cook the food.

Some cycles require the food temperature probe supplied with your oven. The target temperature for the probe is automatically set based on selections made for each food. Always check foods using a secondary food thermometer as probe placement can impact the measured temperature. See the Temperature Probe section for more information.

USING THE RANGE

TEMPERATURE PROBE

⚠ WARNING Consuming undercooked food can result in foodborne illness. Use probe according to the following instructions to ensure all portions of the food reach minimum safe cooking temperatures. Recommendations for minimum safe food temperatures can be found at foodsafety.gov or IsItDoneYet.gov.



⚠ CAUTION Use oven mitts when inserting or removing the probe from the hot oven. Areas around the probe inlet can be very hot.

Internal food temperature is frequently used as an indicator of doneness, especially for roasts and poultry. The Probe mode monitors the internal food temperature and turns the oven off when the internal food temperature reaches the programmed temperature.

Always check the temperature at multiple locations in the food with a food thermometer after cooking to ensure that all portions of the food have reached the minimum safe internal temperature for that food.

The probe can be used with the BAKE, CONV BAKE and CONV ROAST modes.

How to Set the Oven for Probe

1. Push the tip of the probe into the thickest part of the meat.
2. Place the rack in the desired rack position.
3. Set the oven controls. Turn the Oven Mode Selector to **CONV BAKE**, **CONV ROAST** or **BAKE**. Turn the Oven Temperature Knob to desired oven temperature in 25°F increments, from 175°F to 550°F. Allow the oven to preheat if necessary.

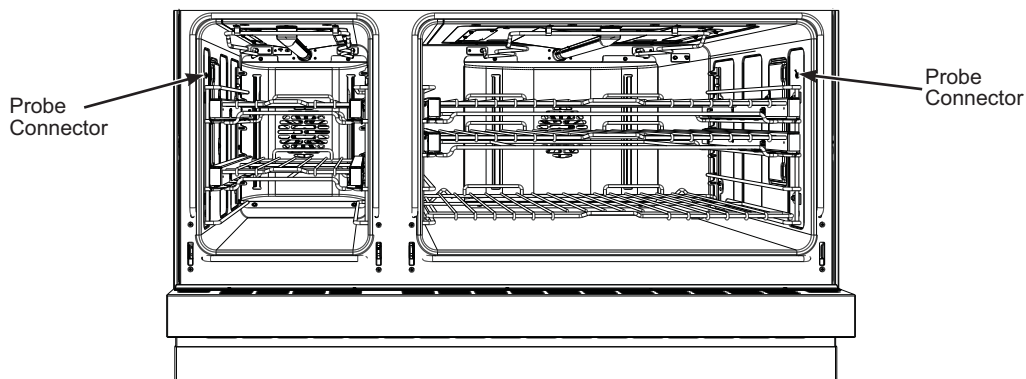
4. Use oven mitts to place the food in the hot oven. Insert the plug into the outlet. Make sure it is pushed all the way in. Close the oven door.
5. Turn the **Mini Knob** to find the desired internal food temperature. Push the **Mini Knob** to select that temperature.

The words SET PROBE will flash in the display until a temperature is selected. If no temperature is set, the probe will default to 100°F.

The internal food temperature can be set from a minimum of 100°F and up to 200°F maximum.

6. When food reaches the set internal temperature, the display will beep and the oven will turn off. To stop the reminder beep, turn the Oven Mode Selector and the Oven Temperature Knob to OFF. Use oven mitts to remove the probe from the oven outlet.

To change the set internal temperature anytime in the cooking process, push the Mini Knob and turn to adjust the temperature. Press the Mini Knob to select.



USING THE RANGE

TEMPERATURE PROBE (Cont.)

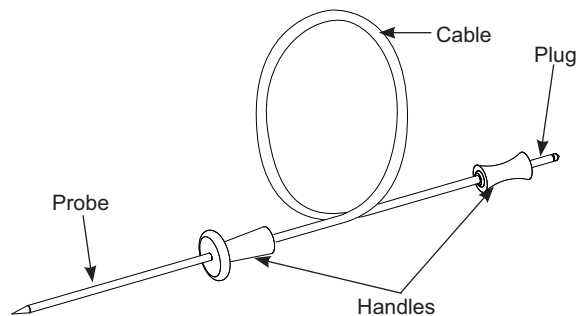
Probe Care Guidelines

- Use of probes other than the one provided with this product may result in damage to the probe outlet.
- Use the handles of the probe and plug when inserting and removing them from the meat and outlet.
- To avoid damaging your probe, do not use tongs to pull on the cable when removing it.
- To avoid breaking the probe, make sure food is completely defrosted before inserting the probe.
- To prevent possible burns, do not unplug the probe from the outlet until the oven has cooled.
- Never leave the probe inside the oven during a broil, or self-cleaning cycle.
- Do not store the probe in the oven.

Proper Probe Placement

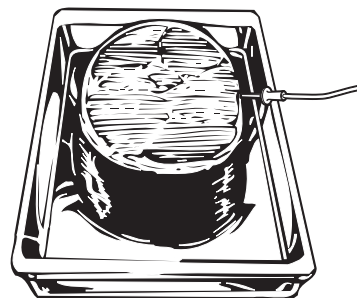
After preparing the meat and placing it on the cooking pan follow these instructions for proper probe placement.

- Insert the probe into the food, so that the tip of the probe will rest in the center of the thickest part of the food. For best performance the probe should be fully inserted into the food. If the probe is not located properly, it may not accurately measure the temperature of the coolest portion of the food. Some foods, particularly small items, are not well suited for cooking with the probe due to their shape or size
- The probe should not touch bone, fat or gristle
- For whole poultry insert the probe into the thickest part of the breast
- For boneless roasts, insert the probe into the center of the roast



The temperature probe has a skewer-like probe at one end and a plug at the other end that goes into the outlet in the oven.

- For bone-in ham or lamb, insert the probe into the center of the lowest large muscle or joint
- For casseroles or dishes such as meatloaf, insert the probe into the center of the dish
- For fish, insert the probe from just above the gill into the meatiest area, parallel to the backbone



OVEN COOKING GUIDE

Cook food thoroughly to help protect against food borne illness. Minimum safe food temperature recommendations for food safety can be found at IsItDoneYet.gov. Use a food thermometer to measure food temperatures.

OVEN COOKWARE GUIDELINES

The material, finish, and size of cookware affect baking performance.

Dark, coated and dull pans absorb heat more readily than light, shiny pans. Pans that absorb heat more readily can result in a browner, crisper, and thicker crust. If using dark and coated cookware check food earlier than minimum cook time. If undesirable results are obtained with this type of cookware consider reducing oven reducing temperature by 25F next time.

Shiny pans can produce more evenly cooked baked goods such as cakes and cookies.

Glass and ceramic pans heat slowly but retain heat well. These types of pans work well for dishes such as pies and custards.

Air insulated pans heat slowly and can reduce bottom browning.

Keep cookware clean to promote even heating.

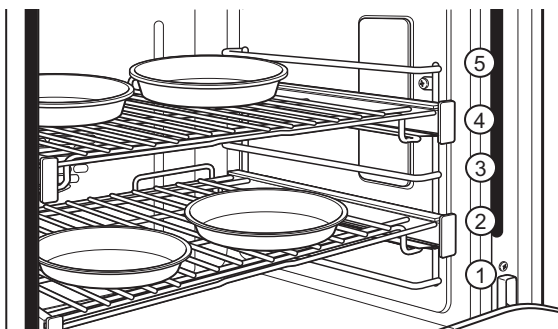
Stoneware heats slowly and retains heat well. It is recommended to preheat this type of cookware if possible. Additional cook time may be required.

Cookware used in broil modes must be broil safe.

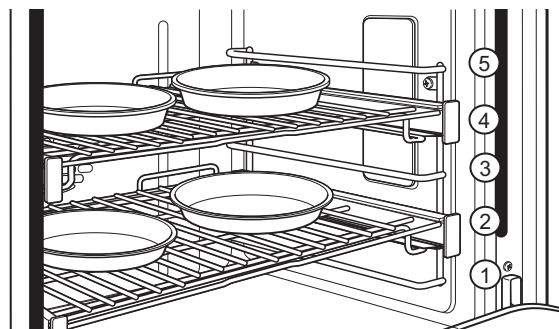
FOOD TYPE	RECOMMENDED MODE(S)	RECOMMENDED RACK POSITION(S) LEFT OVEN (48" models only)	RECOMMENDED RACK POSITION(S) OVEN or RIGHT OVEN (48" models only)	ADDITIONAL SUGGESTIONS
Baked Goods				
Layer cakes, sheet cakes, bundt cakes, muffins, quick breads on a Single Rack	Bake	2	2 or 3	Use shiny cookware.
Layer cakes on Multiple Racks*	Bake Convection Bake Multi	-	2 and 4	Ensure adequate airflow (see illustration below).
Chiffon cakes (angel food)	Bake	1	1	Use shiny cookware.
Cookies, biscuits, scones on a Single Rack	Bake	2	2 or 3	Use shiny cookware.
Cookies, biscuits, scones on Multiple Racks	Convection Bake Multi	2 and 3	2 and 4 1, 3, and 5	Ensure adequate airflow.
Yeast Breads	Proof	1 or 2	2 or 3	Cover dough loosely.
	Bake	2	2 or 3	

Continued on next page

*For best results when baking 4 cake layers, place four pans using racks 2 and 4. Cakes should be centered front to back on both racks.



Rack positions for baking 4 cake layers at a time



Rack positions for convection baking 4 cake layers at a time

OVEN COOKING GUIDE

FOOD TYPE	RECOMMENDED MODE(S)	RECOMMENDED RACK POSITION(S) LEFT OVEN (48" models only)	RECOMMENDED RACK POSITION(S) OVEN or RIGHT OVEN (48" models only)	ADDITIONAL SUGGESTIONS
	Bake	2	2 or 3	
Beef & Pork				
Hamburgers	Broil High Convection Broil High	3 or 4	4 or 5	Use a broil pan; move food down for more doneness/less searing. Watch food closely when broiling. For best performance center food below the broil heater.
Steaks & Chops	Broil High Convection Broil High	3 or 4	4 or 5	Use a broil pan; move food down for more doneness/less searing. Watch food closely when broiling. For best performance center food below the broil heater.
Roasts	Bake Convection Roast	2	2 or 3	Use a low sided pan such as a broil pan. Preheating is not necessary.
Casseroles	Bake	2 or 3	2 or 3	
Fish	Broil Low Convection Broil Low	3 or 4 (1/2 inch thick or less) 2 or 3 (>1/2 inch)	4 or 5 (1/2 inch thick or less) 3 or 4 (>1/2 inch)	Move food down for more doneness/less searing. Watch food closely when broiling. For best performance center food below the broil heater.
Frozen Convenience Foods				
Pizza on a Single Rack	Bake	2	2 or 3	Do not preheat.
Pizza on Multiple Racks	Convection Bake Multi	-	2 and 4	Stagger pizzas left to right, do not place directly over each other.
Potato products, chicken nuggets, appetizers on a Single Rack	Bake Convection Roast	2	2 or 3	Do not preheat. Use dark cookware for more browning/crisping; use shiny cookware for less browning.
Potato products, chicken nuggets, appetizers on Multiple Racks	Convection Bake Multi	2 and 3	2 and 4	Use dark cookware for more browning/crisping; use shiny cookware for less browning.
Poultry				
Whole chicken	Bake Convection Roast	2	2 or 3	Use a low sided pan such as a broil pan.
Bone-in chicken breasts, legs, thighs	Broil Low Convection Broil Low Bake	2	2 or 3	If breaded or coated in sauce avoid Broil High modes. Broil skin side down first. Watch food closely when broiling. For best performance when broiling, center food below the broil heater.
Boneless chicken breasts	Broil Low Convection Broil Low Bake	2	2 or 3	Move food down for more doneness/less searing and up for greater searing/browning when broiling. For best performance when broiling, center food below the broil element or burner.
Whole turkey	Bake Convection Roast	-	1 or 2	Use a low sided pan such as a broil pan.
Turkey Breast	Bake Convection Roast	-	2	Use a low sided pan such as a broil pan.
Vegetables	Bake Convection Roast Broil Low Convection Broil Low	2 or 3	3	Use dark cookware for more browning/crisping; use shiny cookware for less browning.

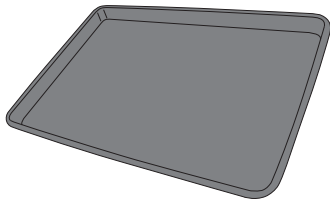
Cook food thoroughly to help protect against food borne illness. Minimum safe food temperature recommendations for food safety can be found at IsItDoneYet.gov. Make sure to use a food thermometer to take food temperatures.

AIR FRY COOKING GUIDE (available on SmartHQ)

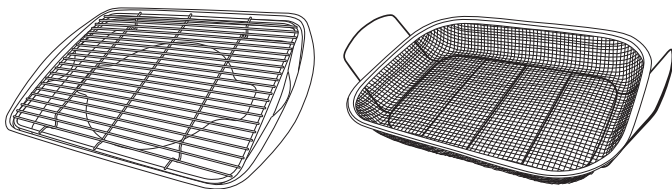
Air Fry is a special, no-preheat, cooking mode that is designed to produce foods with a crispier exterior than traditional oven cooking. Select **Air Fry**, then input the desired set temperature and press **Start**. The temperature can be set between 300°F and 500°F.

Air Fry Cookware Guidelines

- Only use broil safe cookware when using Air Fry mode.
- A dark sheet pan is recommended. A dark pan promotes better browning and crisping.
- Oven baking baskets and baking grids can also be used. A sheet pan should be placed on the rack below the foods to catch any drippings when using a baking basket.



Primary recommended cookware



Alternate cookware options

General Tips for Air Fry Mode

- The Air Fry mode is designed for cooking on a single rack.
- The Air Fry mode is designed to be used without preheating.
- Foods may cook faster than expected if the oven is already hot when food is placed in the oven.
- When air frying foods with sauce, it is recommended to apply the sauce at the end of cooking.
- If foods are browning too quickly, try a lower rack position or lower oven set temperature.
- For packaged foods, use traditional oven cooking instructions for set temperature and expected cook time.
- It is not necessary to flip or stir food during cooking
- Arrange food in a single layer on the pan, do not overload the pan.
- Always check internal food temperature to confirm minimum safe temperatures have been reached. Minimum safe food temperatures can be found on packages and at IsItDoneYet.gov.

FOOD TYPE	RECOMMENDED RACK POSITION(S)	RECOMMENDED SET TEMPERATURES (F°)	RECOMMENDED COOK TIME (MIN)	NOTES
Fresh boneless fish or poultry pieces, breaded such as nuggets, tenders, fillets	3 for Oven or Right Oven 2 for Left Oven (48" Range only)	375-400	15-30	User lower set temperatures for larger pieces. Use shiny cookware.
Fresh bone in chicken wings	3 for Oven or Right Oven 2 for Left Oven (48" Range only)	375-400	25-40	Salt wings or coat in a dry rub, if using sauce apply after cooking or toward the end of cooking
Fresh bone in chicken drumsticks or thighs	3 for Oven or Right Oven 2 for Left Oven (48" Range only)	375-400	30-55	User lower set temperatures for larger pieces.
Fresh French fries, thin (< ½ inch)	3 for Oven or Right Oven 2 for Left Oven (48" Range only)	400-425	15-30	Parchment paper is recommended when preparing fresh French fries. For crispier fries, toss fries in corn starch or rice flour before cooking.
Fresh French fries, thick (> ½ inch)	3 for Oven or Right Oven 2 for Left Oven (48" Range only)	375-400	20-35	Parchment paper is recommended when preparing fresh French fries. For crispier fries, toss fries in corn starch or rice flour before cooking.
Frozen packaged foods	3 for Oven or Right Oven 2 for Left Oven (48" Range only)	Use traditional oven(not Air Fry) cooking instructions as a guideline for set temperature and cook time. Additional cook time beyond recommended package time may be required for some foods. If oven is hot when starting, food may cook faster than the minimum package time.		

CARE AND CLEANING

Be sure electrical power is off and all surfaces are cool before cleaning any part of the range.

CONTROL PANEL AND KNOBS

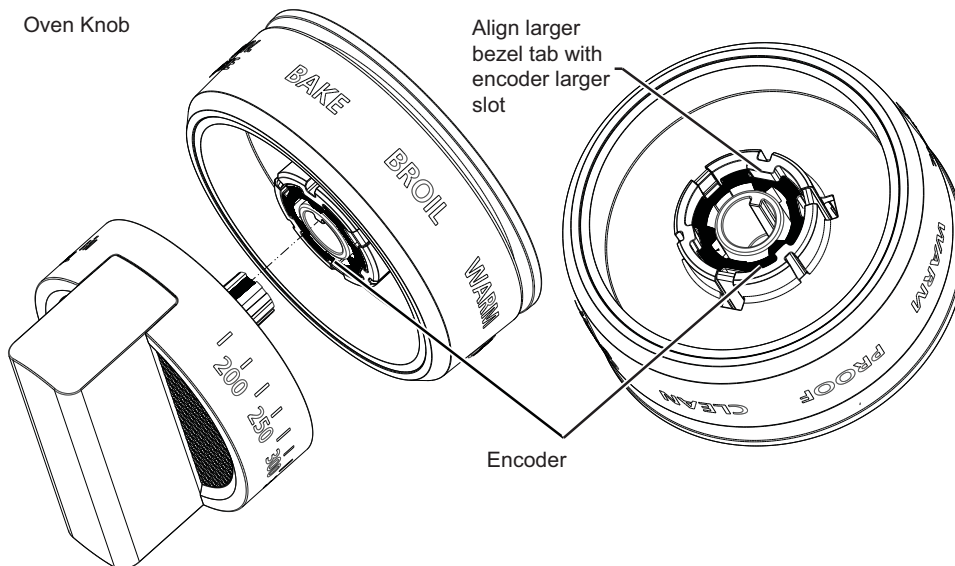
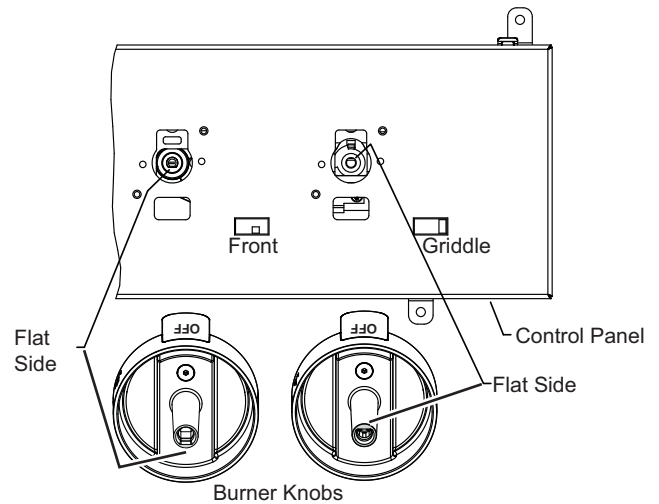
It's a good idea to wipe the control panel after each use. Clean with mild soap and water or vinegar and water, rinse with clean water and polish dry with a soft cloth. Do not use abrasive cleansers, strong liquid cleansers, plastic scouring pads or oven cleaners on the control panel because they will damage the finish.

For easier cleaning, the control knobs may be removed by pulling them directly outwards once the knobs are in the OFF position. Do not pull knobs up or down or hang objects on them. This can damage the gas valve shaft. See the Surface Burner section for a detailed view of these knobs. The knobs can be washed by hand with soap and water.

When removing the oven and burner knobs, remember their location. The knobs are not interchangeable, these knobs must be placed in the same location after cleaning. See the Surface Burner and oven control sections for a detailed view of these knobs. To replace knobs after cleaning, align the bottom of the knob with the matching clip orientation to the shaft inside the bezel. Push knob until completely seated.

Use a soft, non-abrasive cloth to clean the inside of the bezel. Do not remove diffuser film. Do not expose to moisture or it will damage lighting electronics.

NOTE: The Mini Knob is not removable.



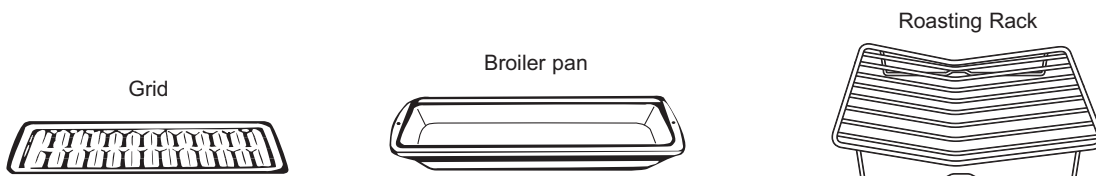
BROILER PAN, GRID AND ROASTING RACK

CAUTION Do not clean the broiler pan, grid or roasting rack in a self-cleaning oven.

The broiler pan, grid and roasting rack are all dishwasher safe. However, baked on foods may require washing by

hand with a commercial oven cleaner or abrasive detergent.

Do not store a soiled broiler pan or grid anywhere in the oven. Always properly dispose of excess grease.



CARE AND CLEANING

OVEN EXTERIOR

Do not use oven cleaners, abrasive cleansers, strong liquid cleansers, steel wool, plastic scouring pads, or cleaning powders on the interior or exterior of the oven. Clean with a mild soap and water or vinegar and water solution. Rinse with clean water and dry with a soft cloth. When cleaning surfaces, make sure that they are at room temperature and not in direct sunlight.

If stain on the door vent trim is persistent, use a mild abrasive cleaner and a sponge-scrubber for best results. Spillage of marinades, fruit juices, tomato sauces and basting liquids containing acids may cause discoloration and should be wiped up immediately. Let hot surfaces cool, then clean and rinse.

Painted Surfaces

Painted surfaces may include the door and trim around the control panel. Clean these with soap and water or a vinegar and water solution. Do not use commercial oven cleaners, cleaning powders, steel wool or harsh abrasives on any painted surface.

OVEN INTERIOR

The interior of your new oven can be cleaned manually or by using Steam Clean mode. Spillage of marinades, fruit juices, tomato sauces and basting liquids containing acids may cause discoloration and should be wiped up immediately. Let hot surfaces cool, then clean and rinse.

Manual Cleaning

Do not use oven cleaners (unless certified for self-cleaning oven), strong liquid cleansers, steel wool, or scouring pads on the interior of the oven. Clean with a mild soap and water, or vinegar and water solution. Rinse with clean water and dry with a soft cloth. When cleaning surfaces, make sure that they are at room temperature.

STEAM CLEANING OVEN

How to Set the Oven for Steam Cleaning

1. Turn the Oven Mode Selector to **CLEAN**.
2. Turn the Oven Temperature Knob to **CLEAN**.
3. Push the **Mini Knob** to select Steam Clean.
The control automatically defaults to the recommended steam-clean cycle time.
4. Press oven display button **START/OFF** to start the **STEAM CLEAN** cycle.
If "CLOSE door" shows in the display, the steam-clean cycle has been selected but the door is not closed. Close the oven door.
5. After the steam clean cycle is complete, turn the Oven Mode Selector and the Oven Temperature Knob to OFF.
To interrupt a steam clean cycle, press oven display button **START/OFF**.

Stainless Steel

Do not use a steel wool pad; it will scratch the surface. To clean the stainless steel surface, use warm sudsy water or a stainless steel cleaner or polish. Always wipe the surface in the direction of the grain. Follow the cleaner instructions for cleaning the stainless steel surface. Cleaners with oxalic acid such as Bar Keepers Friend Soft Cleanser™ will remove surface rust, tarnish and small blemishes. Use only a liquid cleanser free of grit and rub in the direction of the brush lines with a damp, soft sponge. To inquire about purchasing cleaning products including stainless steel appliance cleaner or polish, see the Consumer Support section for further information.

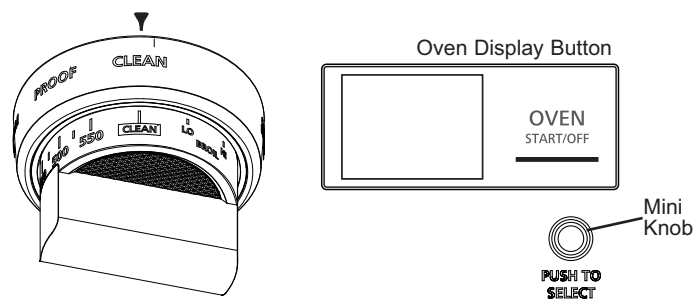
Steam Clean Mode

Steam clean is intended to clean small spills using water and a lower cleaning temperature than Self-Clean.

To use the Steam Clean feature:

1. Start with the oven at room temperature.
2. Wipe excess grease and soils from the oven.
3. Pour one cup of water onto the bottom of the oven.
4. Close the door.

Do not open the door during the 30 minute Steam Clean cycle. At the end of the Steam Clean cycle, soak up the remaining water, and wipe the moisture-softened soil from the oven walls and door.



CARE AND CLEANING

SELF-CLEANING OVEN

Safety

The self-clean oven feature is designed to make cleaning the inside of the oven easy by using very high temperatures to burn away food spills.

▲ WARNING Wipe up excess grease and other food spills with a damp cloth. Excessive food soils can ignite leading to smoke and heat damage.

- Do not clean the oven seals, damage can occur.
- Remove cookware, broiler pan, grid, probe and any aluminum foil from the oven.
- Make sure the oven light lens and lens frame are in place.
- Do not use commercial oven cleaners, abrasives or oven protectors in or near the self-cleaning oven.
- We recommend venting your kitchen with an open window or using a ventilation fan/hood during the self-clean cycle.
- Clean soil from around the frame and from around the oven door, outside the oven seals. These areas must be cleaned by hand.

- The oven racks may be left in the oven during the self-clean cycle.

IMPORTANT: The health of some birds is extremely sensitive to the fumes given off during the self-cleaning cycle of any oven. Move birds to another well-ventilated room.

NOTE: During the self-clean cycle, the cooktop will be locked out and not functional. If a surface burner is turned on after the self-clean cycle has begun, a warning will be displayed on the Oven Display “err turn surf frnr off” and a beeping sound will be heard.

NOTE: Self-Clean will not work if the temperature probe is plugged in.

On double oven models, you cannot initiate Self Clean modes in both ovens at the same time. In addition, you cannot perform any other range function while one oven is performing a Self Clean. The oven not performing a Self Clean will be prevented from selecting another oven mode. If the cooktop burner is turned on, a screen message will prompt the user to turn off the burner or the Self Clean will automatically be canceled


How to Set the Oven for Self-Cleaning


1. Turn off all surface burners. (The **CLEAN** cycle will not start until all surface burners have been turned off.)
2. Turn the Oven Mode Selector to **CLEAN**.
3. Turn the Oven Temperature knob to **CLEAN**.
4. Push and turn the **Mini Knob** to select Self-Clean.


The control automatically defaults to the recommended clean cycle time of 5 hours. The clean time may be adjusted to any time between 3 and 5 hours using the Mini Knob. The display will show the actual time remaining.

5. Press oven display button **START/OFF** to start the **SELF-CLEAN** cycle.

If “CLOSE DOOR” shows in the display, the self-clean cycle has been selected but the door is not closed. Close the oven door.

The  symbol will flash as the oven door is locked. It will not be possible to open the oven door during the clean cycle.

6. After the clean cycle is complete and the oven has cooled, the  will turn off. Press oven display button **START/OFF**.

To interrupt a self-clean cycle, press oven display button **START/OFF**. When the oven has cooled to a safe temperature, the  symbol will turn off indicating the door may be opened.

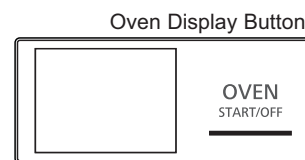
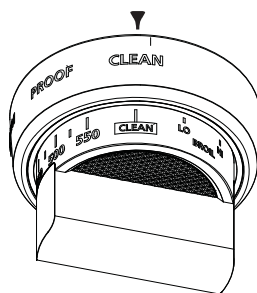
An interrupted clean cycle cannot be restarted until after the oven is cool enough for the door to unlock.

After a Self Clean Cycle

You may notice some white ash in the oven. Wipe it up with a damp cloth after the oven cools.

If white spots remain, remove them with warm sudsy water and rinse thoroughly with a vinegar and water mixture. These deposits are usually a salt residue that cannot be removed by the clean cycle.

If the oven is not clean after one clean cycle, repeat the cycle.



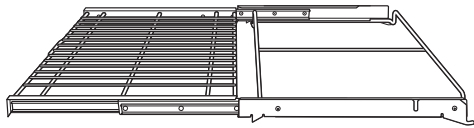
CARE AND CLEANING

OVEN RACKS

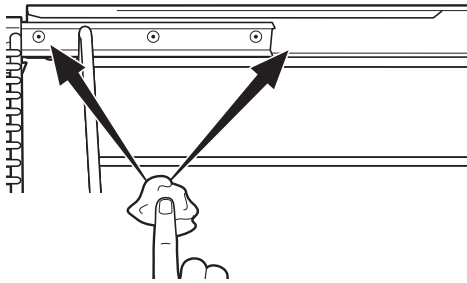
NOTE: The racks may remain in the oven during the self-cleaning cycle without being damaged.

Periodically, the oven racks may need to be lubricated using the Graphite Lubrication shipped with your range. To order additional Graphite Lubrication, call our National Parts Center at 800.626.2002 and reference WB02T10303.

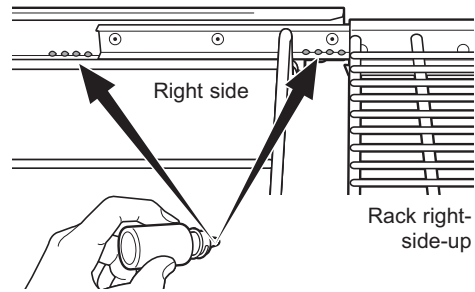
1. Remove rack from the oven. See the Full extension oven racks section.
2. Fully extend the rack on a table or countertop. Newspaper may be placed underneath the rack for easy cleanup.



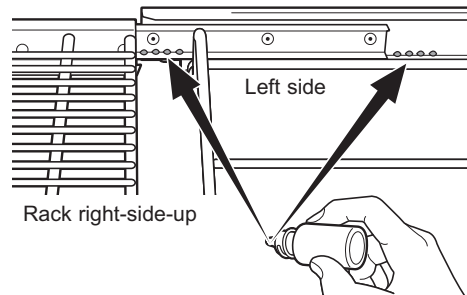
3. If there is debris in the slide tracks, wipe it away using a paper towel. **NOTE:** Any graphite lubricant wiped away must be replaced.



4. Shake the graphite lubricant before opening it. Starting with left slide mechanism of the rack, place four (4) small drops of lubricant on the two (2) bottom tracks of the slide close to the bearing carriers.



5. Repeat for the right side mechanism of the rack.



6. Open and close the rack several times to distribute the lubricant.
7. Replace the cap on the lubricant and shake it again. Turn the rack over and repeat steps 3, 4, 5 and 6.
8. Close the rack, turn rack right-side-up and place in the oven. See the Full extension oven racks section.
9. Repeat above steps for each rack.

NOTE: Do not use a cooking spray or other lubricant sprays on the slides.

TEMPERATURE PROBE

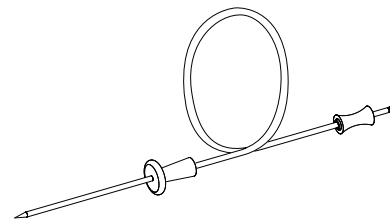
Allow the temperature probe to cool before cleaning.

The probe should be cleaned with soap and water by hand.

Do not immerse the temperature probe in water.

Do not store the temperature probe in the oven.

Do not clean the temperature probe in the self-cleaning oven.



OVEN BOTTOM

The oven bottom has a porcelain enamel finish. To make cleaning easier, protect the oven bottom from excessive spills. A smaller sheet of foil or sheet tray may be used to catch a spillover by placing it on the rack below the rack you are cooking on. This is particularly important when baking a fruit pie or other foods that are highly acidic. Hot fruit fillings or other foods that are highly acidic (such as tomatoes, sauerkraut and sauces with vinegar or lemon juice) may cause pitting and damage to the porcelain enamel surface and should be wiped up immediately.

Never fully cover a rack with aluminum foil. This will disturb the heat circulation and result in poor baking.

To clean up spills, use soap and water, an abrasive cleaner or soap-filled scouring pad. Rinse well to remove soap before self-cleaning.

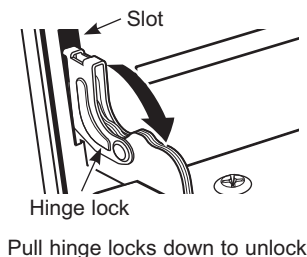
CARE AND CLEANING

LIFT-OFF SOFT-CLOSE OVEN DOOR

The door is very heavy. Be careful when removing and lifting the door. Do not lift the door by the handle.

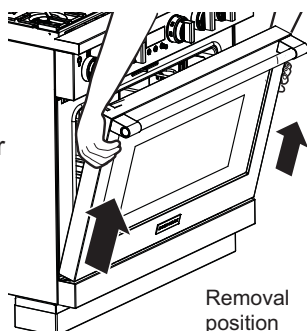
To remove the door:

1. Fully open the door.
2. Pull the hinge locks down toward the door frame, to the unlocked position. A tool, such as a small flat-blade screwdriver, may be required.



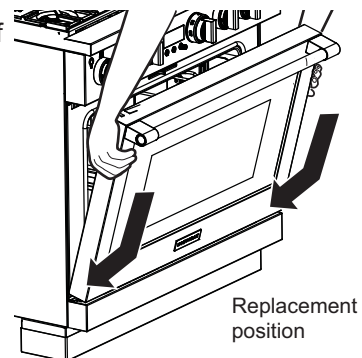
3. Firmly grasp both sides of the door at the top.

4. Close door to the door removal position, (approximately 15 degrees from closed) and lift it up and out until the hinge arm is clear of the slot.

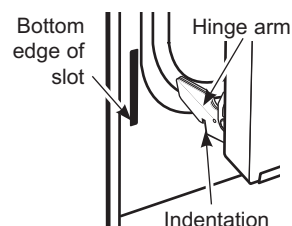


To replace the door:

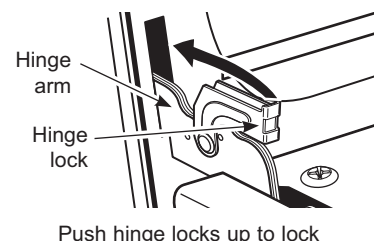
1. Firmly grasp both sides of the door at the top.



2. With the door at the same angle as the removal position, seat the indentation of the hinge arm into the bottom edge of the hinge slot. The notch in the hinge arm must be fully seated into the bottom of the slot.



3. Fully open the door. If the door will not fully open, the indentation is not seated correctly in the bottom edge of the slot.



4. Push the hinge locks up against the front frame of the oven cavity, to the locked position.
5. Close the oven door.

CLEANING THE OVEN DOOR

Cleaning the Door Interior

Do not allow excess water to run into any holes or slots in the door.

Wipe dish soap over any baked-on spatters on the glass. Use a single sided safety razor blade to clean it off. Then wipe over the glass with a soapy cloth to remove any residue and dry off.

The area outside the gasket can be cleaned with a soap-filled plastic scouring pad. Do not rub or clean the door gasket - it has an extremely low resistance to abrasion.

If you notice the gasket becoming worn, frayed or damaged in any way or if it has become displaced on the door, you should have it replaced.

Cleaning the Door Exterior

If a stain on the door vent trim is persistent, use a mild abrasive cleaner and a sponge-scrubber for best results. Do not use this method on any other surface.

Stainless Steel Surfaces (on some models)

Do not use a steel wool pad; it will scratch the surface. To clean the stainless steel surface, use warm sudsy water or a stainless steel cleaner or polish. Always wipe the surface in the direction of the grain. Follow the cleaner instructions for cleaning the stainless steel surface. To inquire about purchasing cleaning products including stainless steel appliance cleaner or polish, see the Consumer Support section for further information.

CARE AND CLEANING

OVEN LIGHTS

⚠ WARNING SHOCK OR BURN HAZARD: Before replacing oven light bulb, disconnect the electrical power to the range at the main fuse or circuit breaker panel. Failure to do so may result in electric shock or burn.

⚠ CAUTION BURN HAZARD: The glass cover and bulb should be removed when cool. Touching hot glass with bare hands or a damp cloth can cause burns.

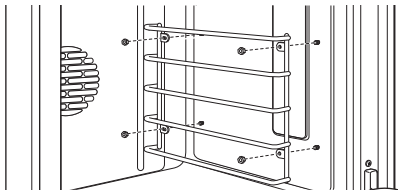
Each oven is equipped with halogen light columns located on the side walls of the oven. The lights come on when the door is opened or when the oven is in a cooking cycle.

Each light assembly consists of a removable light cover with two locking clips and a light compartment with three halogen bulbs.

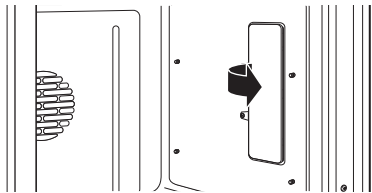
Be sure to let the light cover and bulb cool completely. For your safety, do not touch a hot bulb with bare hands or a damp cloth.

To remove:

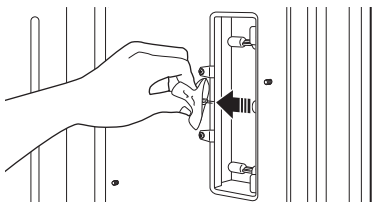
1. Remove the racks from the oven. See the Full extension oven racks section.
2. Using a 7/16" nutdriver, remove the four nuts holding the rack supports to the oven wall.



3. Remove the glass light cover by pulling its back edge out and rolling it toward you. Do not remove any screws.



4. Using gloves or a dry cloth, remove the burned-out light bulb by pulling it straight out.



To replace:

Use a new 120-volt Halogen bulb, with G8 pins, not to exceed 40 watts.

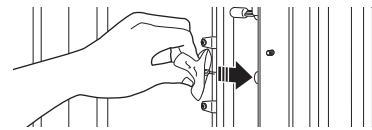


Replacement bulbs may be purchased by calling 800.626.2002. Order Part Number WB25X39610.

NOTE: Higher wattage bulbs will damage your oven.

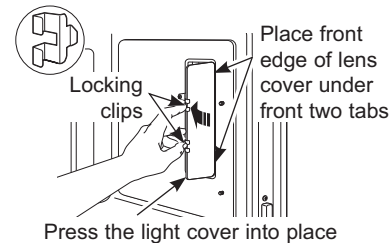
Using gloves or a dry cloth, remove the bulb from its packaging. Do not touch the bulb with bare fingers. Oil from bare fingers may cause hot spots on the glass surface and lead to premature failure of the bulb. If you do touch the glass, clean it with alcohol prior to installation.

1. Push the bulb straight into the receptacle all the way.



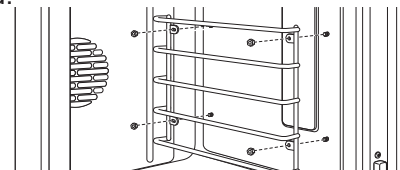
2. Replace the light cover, by placing its front edge under the front two tabs in the light compartment. Roll the back edge into place, making sure that it is firmly seated.

NOTE: If the locking clips fell from the glass lens cover, hold them on the cover, in the correct position, while replacing the cover on the light compartment.



The light cover must be in place when using the oven.

3. Reinstall the rack support. Be sure to orient the support so that the top tabs for the nuts are closest to the top of the oven. Lightly secure with the four nuts removed earlier, but do not over-tighten or the enamel could be chipped.



4. Replace the racks. See the Full extension oven racks section.
5. Reconnect electrical power to the oven.

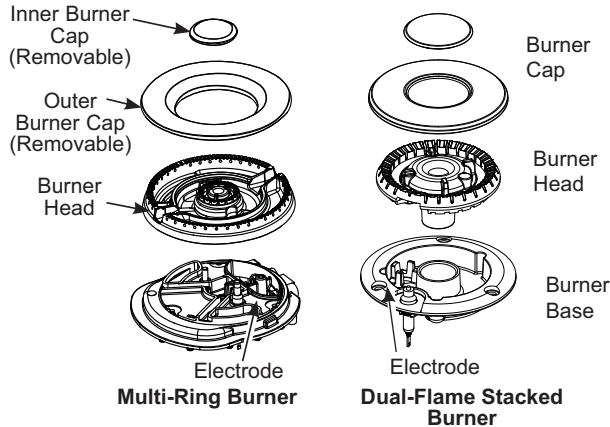
CARE AND CLEANING

DUAL-FLAME STACKED AND MULTI-RING BURNERS

CAUTION DO NOT OPERATE THE BURNER WITHOUT ALL BURNER PARTS IN PLACE.

Surface burners should be cleaned routinely, especially after bad spills, which could clog the slots and holes in the burner heads.

The electrode is located at the rear of each burner. Do not attempt to disassemble or clean around any burner while another burner is on. An electric shock may result.



To remove the burner parts:

1. Turn all controls OFF before removing any burner parts.
2. When cool, you may lift off the burner grates, burner caps and burner heads for easier cleaning. Do not remove the burner bases.

NOTE: Be sure to replace the burners in the same location and orientation.

Cleaning the brass burner caps

Monogram burner caps are constructed of 100% brass, so that you can take advantage of the natural thermal properties of this premium quality material to elevate your cooking experience.

Real brass has a natural patina that builds up over time as it is exposed to heat and the atmosphere. This patina and deeper brass hue are formed to protect the burners from corrosion. This oxidation process is to be expected and ensures that your brass burners will withstand even the highest temperatures.

To remove burnt-on grease from the caps and restore the beautiful brass look, soak the caps in a solution of 1 cup water and 1 tbsp white vinegar for up to 18 hours or 1 cup water and 1/3 cup white vinegar for up to 1 hour. Wipe with a soft cloth. Do not clean with a metallic brush, as this can damage the brass.

If you do not like the appearance of the brass caps, you may remove the brass insert on the dual stack burner and replace with the optional black enamel caps for the multi-ring burner, which are included with your product.

Cleaning the burner heads

Wash the burner heads routinely, especially after bad spills, which could clog the burner openings. Lift burners off when cool. Wash with hot, soapy water. Rinse with clean water. For more stubborn stains, use a brush with plastic bristles. **NOTE:** Stiffer brushes can be used but may impact appearance, not performance, of the burner.

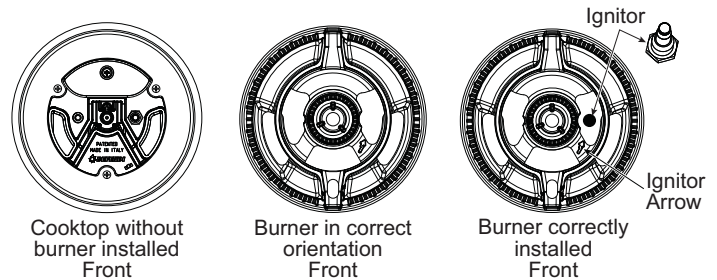
NOTE: Do not use steel wool or scouring pads to clean the burner parts as these may clog the openings. Never wash burner heads in your dishwasher. Doing so may cause them to discolor. The ports in the burner heads must be kept clean at all times for an even, unhampered flame.

After Cleaning

Before replacing the burner parts, shake out excess water and then dry them thoroughly.

To replace the burner parts for Multi Ring:

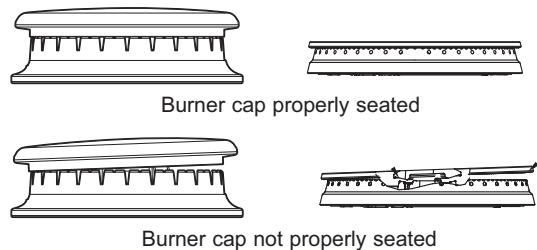
Align the burner head as shown. Pass the igniter through the opening in the burner head while ensuring the igniter arrow is pointing toward the ignitor. Make sure the burner lies flat. Install the burner caps taking care to check that they lie flat on the burner head. Check burner operation to ensure uniform, blue flame around the burner. If there are yellow or uneven flames, immediately turn the burner off, let it cool, and readjust the burner and burner caps.



To replace the burner parts for Dual Flame:

Make sure that the burner parts are replaced in the correct location and orientation.

1. Replace the burner head on top of the burner base, making sure that the hole in the burner head is properly aligned with the electrode in the burner base. A small gap between the base and head is normal.
2. Place the burner cap on top of the burner head. Make sure that the burner cap is properly seated on the burner head.



CARE AND CLEANING

SPARK IGNITER AND ELECTRODES

The electrode of the electronic ignition system is positioned at the rear of the burner base. When cleaning the cooktop, be careful not to snag the igniter with your cleaning cloth. Damage to the igniter could occur.

Be careful not to push in a control knob while cleaning. It could cause the igniter to spark.

Make sure that the white ceramic igniters on the cooktop are dry and clean. Clean the metal portion of the electrode with a soft cloth or emery board.

Do not attempt to remove the electrode from the cooktop.

Clean this metal part with an emery board.



Do not clean this white ceramic part with an emery board.

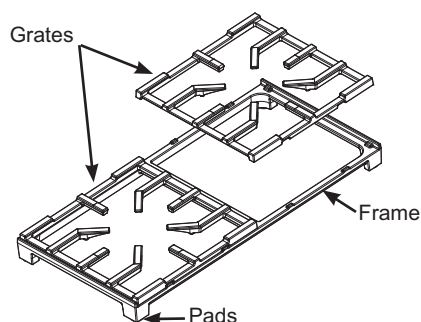
BURNER GRATES

The enameled cast-iron burner grates should be cleaned regularly.

Wash them in hot soapy water, rinse, and dry thoroughly.

Although they are durable, the grates will gradually lose their shine, regardless of the best care you can give them. This is due to their continual exposure to high temperatures.

Do not operate a burner for an extended period of time without cookware on the grate. The finish on the grate may chip without cookware to absorb the heat.



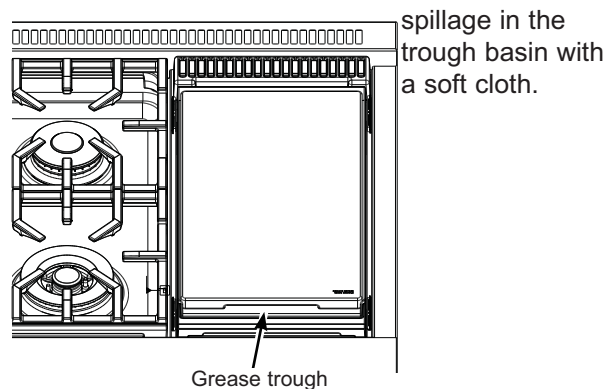
For stability, the frames have rubber pads on each corner. During cleaning and use, be careful not to damage or snag rubber pads.

GREASE TROUGH (on some models)

Grease from the griddle will drain into the enameled cast-iron grease trough at the front of the range. Ensure grease trough is pushed underneath the griddle lip in order to catch grease while cooking. Once the trough has cooled, it may be lifted out for easier cleaning.

To remove the cool grease trough from the griddle, slide it toward the front and lift up.

Do not allow grease to accumulate in the grease trough as it can be a fire hazard. Clean the grease trough as soon as they are cool. The grease trough can be cleaned by hand with hot soapy water or in the dishwasher. Wipe any



spillage in the trough basin with a soft cloth.

GRIDDLE (on some models)

Thoroughly clean the griddle of grease and food particles, using a square-edged metal spatula, while it is still hot.

Wipe the griddle with a dry, heavy, coarse cloth to remove any remaining residue and food particles. If the griddle is cleaned with anything other than a dry, heavy, coarse cloth, it will need to be reseasoned.

Never flood the hot griddle with cold water. This could cause the griddle to crack or warp.


NOTE: It is normal for the stainless steel griddle to discolor to a yellow-brown color after use.

TROUBLESHOOTING TIPS

Save time and money! Review the charts on the following pages first and you may not need to call for service.

Problem	Possible Cause
Oven will not work	A fuse in your home may be blown or the circuit breaker tripped. The oven controls are not properly set. The oven controls are set for cleaning. If necessary, allow the oven to cool; then open the door. Make sure the Oven Mode Selector is set to BAKE and the Oven Temperature Knob is set to a temperature.
Surface burners light but oven does not	The oven gas shut-off valve may have accidentally been moved during cleaning or moving.
Oven light(s) do not work	The light bulb is defective. Replace the bulb. The oven lights do not come on during self-cleaning. The oven is set for Proof mode. The lights cycle on and off as necessary to maintain Proof temperature.
Food does not bake or roast properly	The oven controls are improperly set. See the Baking or Roasting section. Oven not preheated for a long enough time; wait for the oven to signal preheat. Incorrect cookware or cookware of improper size being used. See Baking Tips. Racks in the wrong position. See the Baking or Roasting section. Use a foil tent to slow down browning during roasting. Oven thermostat needs adjustment. See the Oven thermostat adjustment section.
Food does not broil properly	This model is designed for closed door broiling only. Close the door. Always broil with the door closed. The oven controls are not set at BROIL. See the Broiling section. The probe is plugged into the outlet in the oven. Remove the probe from the oven. Improper rack position being used. Cookware is not suited for broiling. Use the broiling pan and grid that came with your oven. Aluminum foil used on the broiling pan and grid has not been fitted properly and slit as recommended.
Cracking or popping sound	This is normal. This is the sound of the metal heating and cooling during both the cooking and cleaning functions.
Oven temperature too hot or too cold	Oven thermostat needs adjustment. See the Oven thermostat adjustment section.
F- and a number flash in the display	The oven has a function error code. Turn the Oven Mode Selector and the Oven Temperature Knobs to OFF. Allow the oven to cool for one hour. Put the oven back into operation. Disconnect all power to the oven for 30 seconds and then reconnect power. If the function error code repeats, call for service.
Display goes blank	The display is blank when the oven or timer is not in use. A fuse in your home may be blown or the circuit breaker tripped. Replace the fuse or reset the circuit breaker.
“Probe” appears in the display	This is reminding you to enter a probe temperature after plugging in the probe. Enter a probe temperature
Power outage	If the oven was in use during a power outage or surge, the oven must be reset. Turn the Oven Temperature Knob and the Oven Mode Selector to OFF. Reset the controls to begin again.
Steam from the vent	When using the convection mode, it is normal to see steam coming out of the oven vent. As the number of racks or amount of food being cooked increases, the amount of visible steam will increase.

TROUBLESHOOTING TIPS

Problem	Possible Cause
Burning or oily odor emitting from the vent	This is normal in a new oven and will disappear in time.
Strong odor	This is temporary. An odor from the insulation around the inside of the oven is normal for the first few times the oven is used.
Fan noise	A cooling fan or a convection fan (depending on the function you are using) may turn on. This is normal. The cooling fan will turn on to cool internal parts. It may run after the oven is turned off. The convection fan may cycle on and off until the function is over or the door is opened.
Convection fan not on all the time	The convection fan (depending on the function you are using) may cycle on and off until the function is over or the door is opened for optimized performance. This is normal. In addition, the convection fan may cycle in the clockwise and counter clockwise direction until the function is over or the door is opened.
Burners do not light	Plug on range is not completely inserted in the electrical outlet. Make sure electrical plug is plugged into a live, properly grounded outlet.
	Gas supply not connected or turned on. See the Installation Instructions that came with your range.
	A fuse in your home may be blown or the circuit breaker tripped. Replace the fuse or reset the circuit breaker.
	Burner parts not replaced correctly. See the Care and Cleaning of the range section.
	Burner slots near the electrode may be clogged. Remove the burners and clean them. Check the electrode area for burned-on food or grease. See the Care and Cleaning of the range section.
	Food residue on electrode Lightly polish flat tip of electrode with nail file or sandpaper until shiny.
Top burners do not burn evenly	Improper burner assembly. Make sure the burner caps are seated correctly. See the Care and Cleaning of the range section.
	Burner slots on the side of the burner may be clogged. Remove the burners for cleaning. See the Care and Cleaning of the range section.
Burner flames are very large or yellow	Improper air to gas ratio. If range is connected to Propane gas, contact the technician who installed your range or made the conversion.
Condensation or fogging on the inner door glass	Condensation or fogging on the inside of the oven door glass is normal during the preheating of the oven and will evaporate usually by the end of the preheating cycle.
Oven will not self clean	The oven temperature is too high to set a self-clean operation. Allow the oven to cool below the locking temperature and reset the controls. The controls are not properly set. See the Self-Cleaning Oven section.
Oven not clean after a clean cycle	The oven was heavily soiled. Clean up heavy spillovers before starting the clean cycle. Heavily soiled ovens may need to self-clean again. Oven is connected to a 208V electrical supply. Set your cleaning time for 5 hours. The oven controls are not properly set. See the Self-Cleaning Oven section.
Oven racks are difficult to slide	The racks were cleaned in the self-clean cycle and now need periodic lubrication. Do not spray with a cooking spray or other lubricant sprays. See Full extension oven racks in the Care and Cleaning section.
Timer does not work	The timer cannot be used while the oven is self-cleaning.
“Err turn surface burners off” appears in the display	Self-clean is in progress and the Cooktop Lockout feature is activated. No surface cooking is permitted during the self-clean operation. Wait until the self-cleaning operation has been completed.
“Close door” shows in the display	The self-clean cycle has been selected but the door is not closed. Close the oven door. The  symbol will appear in the display

MONOGRAM LIMITED WARRANTY

Monogram.com

All warranty service is provided by our Factory Service Centers, or an authorized Customer Care® technician. To schedule service online, visit us at Bodewell.com/schedule-repair-service, or call 833-4BODEWELL. In Canada, visit monogram.ca/en/contact.

Servicing your appliance may require the use of the onboard data port for diagnostics. This gives a Monogram Factory Service technician the ability to quickly diagnose any issues with your appliance and helps Monogram improve its products by providing Monogram with information on your appliance. If you do not want your appliance data to be sent to Monogram, please advise your technician NOT to submit the data to Monogram at the time of service.

For the period of	Monogram Appliances will replace
Limited two-year warranty	For two years from date of original purchase, we will provide, free of charge, parts and service labor in your home to repair or replace any part of the appliance that fails because of a manufacturing defect.
Limited five-year warranty	For five years from the date of original purchase, we will provide, free of charge, replacement gas surface burners if they fail in normal household use. (The grill, griddle and oven burners are not included.) You pay for the service trip to your home and all service labor charges.
Limited lifetime warranty	For the lifetime of the gray porcelain enamel oven racks, we will provide, free of charge, replacement racks if they fail in normal household use. You pay for the service trip to your home and all service labor charges.

What Monogram will not cover:

- Service trips to your home to teach you how to use the product.
- Discoloration of the griddle plate or oven racks.
- Chipping of porcelain enamel grates or oven racks.
- Replacement of house fuses or resetting of circuit breakers.
- Incidental or consequential damage caused by possible defects with this appliance.
- Damage after delivery.
- Damage to the product caused by accident, fire, floods or acts of God.
- Product damage or failure of the product if it is abused, misused, used for other than the intended purpose, or used commercially.
- Improper installation, delivery or maintenance.
If you have an installation problem, contact your dealer or installer. You are responsible for providing adequate electrical, gas, exhausting and other connecting facilities as described in the Installation Instructions provided with the product.
- Product not accessible to provide required service.

Staple your receipt here. Proof of the original purchase date is needed to obtain service under the warranty.

EXCLUSION OF IMPLIED WARRANTIES

Your sole and exclusive remedy is product repair as provided in this Limited Warranty. Any implied warranties, including the implied warranties of merchantability or fitness for a particular purpose, are limited to one year or the shortest period allowed by law.

This limited warranty is extended to the original purchaser and any succeeding owner for products purchased for home use within the USA. If the product is located in an area where service by an Authorized Servicer is not available, you may be responsible for a trip charge or you may be required to bring the product to an Authorized Service location. In Alaska, the limited warranty excludes the cost of shipping or service calls to your home.

Some states do not allow the exclusion or limitation of incidental or consequential damages. This limited warranty gives you specific legal rights, and you may also have other rights which vary from state to state. To know what your legal rights are, consult your local or state consumer affairs office or your state's Attorney General.

**Warrantor: GE Appliances, a Haier company
Louisville KY,40225**

In Canada (including the province of Québec): This limited warranty is extended to the original purchaser and any succeeding owner for products purchased in Canada including Québec for home use within Canada including Québec. If the product is located in an area where service by a Monogram Authorized Servicer is not available, you may be responsible for a trip charge or you may be required to bring the product to an Authorized Monogram Service location.

Some provinces including Québec do not allow the exclusion or limitation of incidental or consequential damages. This limited warranty gives you specific legal rights, and you may also have other rights which vary from province to province including Québec. To know what your legal rights are, consult your local or provincial consumer affairs office.

For Québec consumers only - Notice on the warranty of availability of spare parts, repair services and information necessary for repair or maintenance (s. 39 of the Consumer Protection Act):

Please be advised that MC Commercial Inc. ("MC Commercial") does not guarantee, within the meaning of section 39 of the Consumer Protection Act, CQLR, c. P-40.1 and sections 79.18 to 79.20 of the Regulation respecting the application of the Consumer Protection Act, CQLR, c P-40.1, r. 3, the availability of replacement parts, repair services, or the information necessary for the maintenance or repair of goods manufactured, imported, advertised, or sold by MC Commercial.

Please note that MC Commercial Inc. continues to offer the manufacturer's limited warranty as stated in the Owner's Manual or Quick Guide, and that this limited warranty is distinct from the statutory warranty of availability provided for under section 39 of the Consumer Protection Act.

Warrantor: MC Commercial Inc., Burlington, ON, L7L 6B2





MANUEL D'UTILISATION

**76 cm (30 po), 91 cm (36 po)
et 121 cm (48 po)**

**Cuisinières au gaz naturel
ou au propane professionnelles**

FRANÇAIS

Elevate Everything™

MONOGRAM.CA

TABLE DES MATIÈRES

RENSEIGNEMENTS CONCERNANT LE MODÈLE	2
SOUTIEN AU CONSOMMATEUR	3
CONSIGNES DE SÉCURITÉ	4
UTILISANT LA CUISINIÈRE	9
Connexion la cuisinière compatible Wi-Fi	9
Fonctions de la cuisinière et de la table de cuisson	10
Commande de l'éclairage d'accentuation	11
En cas de panne de courant	11
Brûleurs de surface	11
Récipients pour la cuisson en surface	12
Cuisiner au wok	13
Plaque chauffante	14
Caractéristiques de votre four	15
Fonctions du panneau de commande et du minuteur	16
Paramètres	18
Connexion Wi-Fi et contrôle à distance	18
Événements du four	20
Papier d'aluminium et doublures de four	20
Grilles du four	20
Modes du four	22
Cuisson au four	22
Cuisson au grill	23
Cuisson par convection	24
Cuisson au four par convection	24
Rôtissage par convection	25
Rôtissage par convection	26
Tenue au chaud	27
Fermentation	27
Cuisson de précision	27
Sonde de température	28
Guide de cuisson au four	30
Conseils sur les récipients de cuisson au four	30
Guide de cuisson pour la friture à air chaud	32
ENTRETIEN ET NETTOYAGE	33
Panneau de commande et boutons	33
Moule à cuisson, grille et grille de rôtissage	33
Extérieur du four	34
Intérieur du four	34
Nettoyage à la vapeur	34
Four autonettoyant	35
Grilles de four	36
Sonde de température	36
Porte du four	36
Lampes du four	37
Brûleurs à double flammes superposées/à plusieurs anneaux	38
Déclencheur d'étincelles et électrodes	39
Grilles de brûleur	40
Dalot à graisse	40
Plaque chauffante	40
TRUCS DE DÉPANNAGE	41
GARANTIE LIMITÉE	43

RENSEIGNEMENTS CONCERNANT LE MODÈLE

NUMÉROS DE MODÈLES

ZDP304, ZDP366, ZDP486

ÉCRIVEZ LES NUMÉROS DE MODÈLE ET DE SÉRIE

Vous les trouverez sur une étiquette placée derrière le bouton du brûleur gauche ou sous le panneau de commande, dans la partie visible lorsque la porte du four est ouverte.

Utilisez ces numéros dans toute correspondance ou dans tous vos appels de service relatifs à votre appareil.

Veillez écrire ces numéros ici :

Numéro du modèle

Numéro de série

SOUTIEN AU CONSOMMATEUR

Aux États-Unis – Visitez-nous à **monogram.com** ou composez le 800.444.1845

Au Canada – Visitez-nous à **monogram.ca** ou composez le 888.880.3030

Trouvez des renseignements pour les propriétaires sur notre site Web :

- **Information**
- **Enregistrez l'appareil**
- **Planifiez un service**
- **Achetez des pièces, accessoires ou garanties prolongées**
- **Connectez votre appareil** – 800.220.6899

Si vous n'êtes pas satisfait du service, contactez-nous sur notre site Web en incluant tous les détails ainsi que votre numéro de téléphone, ou écrivez à :

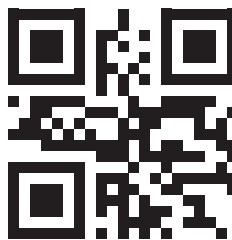
Aux États-Unis - General Manager, Customer Relations | Monogram | Appliance Park | Louisville, KY 40225

Au Canada - Director, Customer Relations | MC Commercial Inc. | 1100 Burloak Dr. Suite 601 | Burlington, ON L7L 6B2

monogram.com



monogram.ca



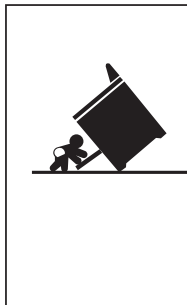
CONSIGNES DE SÉCURITÉ IMPORTANTES

LISEZ TOUTES LES INSTRUCTIONS AVANT D'UTILISER L'APPAREIL

⚠ AVERTISSEMENT Si les consignes du manuel ne sont pas respectées, il y a un risque d'incendie ou d'explosion et des dommages matériels, physiques et la mort.

- Ne stockez ou n'utilisez pas d'essence ou d'autres vapeurs ou liquides inflammables à proximité de la cuisinière ou de tout autre appareil.
- **QUE FAIRE SI JE DÉTECTE UNE ODEUR DE GAZ**
 - N'allumez pas l'appareil.
 - Ne touchez aucun interrupteur, n'utilisez pas de téléphone.
 - Appelez immédiatement votre fournisseur de gaz avec le téléphone du voisin. Suivez les instructions du fournisseur.
 - Si vous ne parvenez pas à joindre le fournisseur de gaz, appelez les pompiers.
- L'installation et l'entretien doivent être effectués par un installateur qualifié, un centre de réparation ou le fournisseur de gaz.

DISPOSITIF ANTIBASCULEMENT



⚠ AVERTISSEMENT

Risque de basculement

- Un enfant ou un adulte peut faire basculer la cuisinière et ainsi perdre la vie.
- Posez la ferrure antibasculement sur le mur ou le plancher.
- Remettez la cuisinière en place en la glissant de façon que son pied s'insère dans la ferrure antibasculement.
- Insérez le pied de nouveau si vous déplacez la cuisinière.
- L'omission d'observer ces consignes peut occasionner la mort ou des brûlures graves aux enfants ou aux adultes.

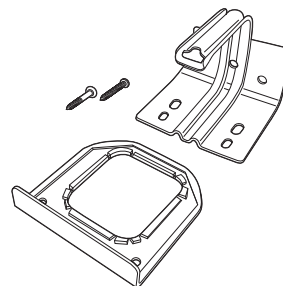
Afin de réduire le risque de basculement, la cuisinière doit être correctement fixée par une ferrure antibasculement. Consultez les instructions d'installation livrées avec la ferrure pour l'information détaillée avant de tenter l'installation.

Cuisinières au gaz professionnelles

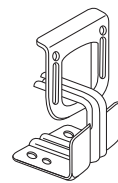
Pour vérifier si la ferrure est installée et engagée correctement, regardez sous la cuisinière pour voir si le pied de nivellement arrière est engagé dans la ferrure. Sur certains modèles, on peut enlever le coup-de-pied pour faciliter l'inspection. Si l'inspection visuelle n'est pas possible, glissez la cuisinière vers l'avant, assurez-vous que la ferrure antibasculement est solidement fixée au plancher ou au mur, puis repoussez la cuisinière de façon à engager le pied de nivellement sous la ferrure antibasculement.

Si la cuisinière est éloignée du mur pour une raison quelconque, répétez toujours cette procédure pour vérifier que la cuisinière est correctement fixée par la ferrure antibasculement.

N'enlevez jamais totalement les pieds de nivellement sinon la cuisinière ne sera pas fixée par la ferrure antibasculement correctement.



Trousse de ferrure antibasculement incluse



Vue arrière

CONSIGNES DE SÉCURITÉ IMPORTANTES

LISEZ TOUTES LES INSTRUCTIONS AVANT D'UTILISER L'APPAREIL

⚠ AVERTISSEMENT

Veillez lire toutes les consignes avant d'utiliser ce produit. Le non-respect de ces instructions pourrait entraîner un incendie, un choc électrique, une blessure grave voire la mort.

⚠ AVERTISSEMENT

CONSIGNES GÉNÉRALES DE SÉCURITÉ

⚠ AVERTISSEMENT

N'utilisez JAMAIS cet électroménager comme appareil de chauffage pour réchauffer la pièce. Cela pourrait causer un empoisonnement au monoxyde de carbone et la surchauffe du four.

- Utilisez cet électroménager uniquement aux fins auxquelles il est fait mention dans ce manuel du propriétaire.
- L'installation et la mise à la terre doivent être réalisées par un installateur qualifié en conformité avec les instructions d'installation fournies.
- Tout réglage et toute réparation devraient être réalisés par un installateur de cuisinière au gaz ou un technicien en réparation qualifiés. Ne tentez pas de réparer ou de remplacer une pièce de cette cuisinière à moins que cela soit spécifiquement recommandé dans ce manuel.
- Votre cuisinière est expédiée de l'usine prête pour une alimentation au gaz naturel. Elle peut être convertie pour le gaz propane. Si nécessaire, ces conversions doivent être réalisées par un technicien qualifié conformément aux instructions d'installation et aux codes locaux. L'intermédiaire qui réalise ce travail assume la responsabilité de la conversion
- Demandez à l'installateur de vous montrer l'emplacement du robinet de sectionnement du gaz de la cuisinière et comment le fermer si nécessaire.
- Gaz et électricité : N'utilisez pas la partie d'une cuisinière sur laquelle l'élément chauffant développe un point incandescent ou démontre des signes de bris. Un point incandescent de l'élément indique que l'élément peut être défectueux et représente un risque possible de brûlures, d'incendie et d'électrocution. Éteignez immédiatement l'élément chauffant et faites-le remplacer par un technicien réparateur qualifié.
- Avant toute réparation, débranchez la cuisinière ou coupez l'alimentation électrique au panneau de distribution domestique en retirant le fusible ou en désarmant le disjoncteur.
- Assurez-vous de retirer tout le matériel d'emballage de la cuisinière avant d'allumer celle-ci afin de prévenir l'inflammation de ce matériel.

- Évitez de rayer les surfaces de verre. Cela pourrait causer le bris du verre. Ne cuisez pas d'aliments sur du verre brisé. Cela pourrait occasionner une décharge électrique, un incendie ou des blessures.
- Ne laissez pas d'enfants seuls ou sans surveillance dans la zone où l'électroménager est en cours d'utilisation. On ne devrait jamais leur permettre de grimper, s'asseoir ou se tenir sur quelque partie de l'électroménager que ce soit.

⚠ ATTENTION

- Ne rangez pas les articles qui attirent les enfants dans des armoires au-dessus d'une cuisinière, un enfant qui grimpe sur la cuisinière pour atteindre un article peut se blesser gravement.
- N'obstruez jamais les orifices d'air de la cuisinière. Ils procurent les entrées et les sorties d'air nécessaires pour un fonctionnement avec une combustion correcte. Les orifices d'air sont situés à l'arrière de la table de cuisson, dans le haut et le bas de la porte du four, et dans le bas de la cuisinière.
- Utilisez seulement des poignées ou mitaines sèches car des brûlures de vapeur peuvent survenir au contact des surfaces chaudes si elles sont humides. Ne laissez pas les poignées ou mitaines toucher les brûleurs de surface, les grilles de brûleurs ou les éléments chauffants. N'utilisez pas une serviette ou autre linge de grande taille à la place d'une poignée ou de mitaines.
- Ne touchez pas aux éléments chauffants ou à la surface intérieure du four. Ces surfaces peuvent s'avérer suffisamment chaudes pour brûler même si elles sont d'une couleur foncée. Pendant et après l'utilisation, ne touchez pas à l'intérieur du four et ne laissez pas des vêtements ou d'autres matières inflammables entrer en contact avec celui-ci; laissez d'abord le four se refroidir suffisamment. D'autres surfaces de l'électroménager peuvent devenir suffisamment chaudes pour causer des brûlures. Parmi les surfaces potentiellement chaudes, mentionnons les brûleurs, les grilles, les orifices d'air du four, les surfaces près des orifices, les fissures autour de la porte du four, les pièces de garniture métalliques au-dessus de la porte, les dossierers et les surfaces des tablettes en hauteur.
- Ne chauffez pas de contenants d'aliments non ouverts. L'augmentation de la pression peut faire éclater le contenant et causer des blessures.

LISEZ CES INSTRUCTIONS ET RANGEZ-LES SOIGNEUSEMENT

CONSIGNES DE SÉCURITÉ IMPORTANTES

LISEZ TOUTES LES INSTRUCTIONS AVANT D'UTILISER L'APPAREIL

▲ AVERTISSEMENT CONSIGNES GÉNÉRALES DE SÉCURITÉ (suite)

- Cuisez les aliments à fond pour vous prémunir contre les maladies d'origine alimentaire. Des recommandations relatives aux températures de cuisson minimales sûres sont accessibles sur les sites IsItDoneYet.gov et fsis.usda.gov. Utilisez un thermomètre pour aliments et vérifiez à plusieurs endroits.
- Ne laissez personne grimper, se tenir ou s'accrocher à la porte du four, sur le tiroir ou la table de cuisson. Cela pourrait endommager la cuisinière ou la faire basculer et causer des blessures graves ou la mort.
- Gardez la hotte du ventilateur et les filtres à graisse propres afin de maintenir une bonne ventilation et prévenir les feux de graisse. Mettez le ventilateur en arrêt (OFF) dans l'éventualité d'un incendie ou lors de l'inflammation intentionnelle d'un spiritueux sur la table de cuisson. La soufflante en marche peut propager les flammes.

▲ AVERTISSEMENT GARDEZ LES MATIÈRES INFLAMMABLES À DISTANCE DE LA CUISINIÈRE

L'omission de prendre cette précaution peut causer un incendie ou une blessure corporelle.

- Ne rangez ni n'utilisez des matières inflammables dans un four ou près de la table de cuisson, y compris du papier, du plastique, des poignées ou mitaines, du linge de maison, du revêtement mural, des rideaux, des draperies, de l'essence ou d'autres vapeurs ou liquides inflammables.
- Ne portez jamais de vêtements amples ou pendants lors de l'utilisation de l'électroménager. Ces vêtements peuvent prendre feu au contact de surfaces chaudes et causer des brûlures graves.
- Ne laissez pas la graisse de cuisson ni d'autres matières inflammables s'accumuler dans ou à proximité de la cuisinière. La graisse dans le four ou sur la table de cuisson peut prendre feu.

▲ AVERTISSEMENT DANS L'ÉVENTUALITÉ D'UN INCENDIE, PRENEZ LES MESURES SUIVANTES AFIN DE PRÉVENIR LES BLESSURES ET LA PROPAGATION DU FEU

- Ne versez pas d'eau sur un feu de graisse. Ne prenez jamais une casserole en flammes. Mettez les commandes à la position d'arrêt (OFF). Éteignez une casserole en flammes sur un élément de surface en recouvrant la casserole complètement avec un couvercle bien adapté, une tôle à biscuit ou un plateau bien plat. Utilisez un extincteur à poudre sèche ou à mousse.
- Si un feu se déclare dans le four pendant la cuisson, étouffez-le en fermant la porte du four et en mettant le four à la position d'arrêt (OFF) ou en utilisant un extincteur à poudre sèche ou à mousse.
- Si un feu se déclare dans le four pendant l'autonettoyage, mettez le four à la position d'arrêt (OFF) et attendez que le feu cesse. Ne forcez pas l'ouverture de la porte. L'introduction d'air frais à des températures d'autonettoyage peut provoquer un jaillissement de flammes dans le four. L'omission d'observer cette mise en garde peut causer des brûlures graves.

▲ AVERTISSEMENT CONSIGNES DE SÉCURITÉ RELATIVES AU FOUR AUTONETTOYANT

La fonction d'autonettoyage élève la température du four à des degrés suffisants pour brûler complètement les souillures alimentaires dans le four. Suivez les instructions suivantes pour un fonctionnement sûr.

- Ne touchez pas les surfaces pendant le processus d'autonettoyage. Gardez les enfants à l'écart du four pendant l'autonettoyage. L'omission d'observer ces instructions peut occasionner des brûlures.
- Avant de lancer le cycle d'autonettoyage, retirez les casseroles, les grilles métalliques luisantes et tous les autres ustensiles du four. Seules les grilles recouvertes de porcelaine peuvent être laissées dans le four.
- Avant de lancer le cycle d'autonettoyage, essuyez la graisse et les souillures alimentaires dans le four. Une quantité excessive de graisse peut s'enflammer et causer des dommages par la fumée.
- Si le mode d'autonettoyage ne fonctionne pas bien, éteignez le four (OFF) et coupez l'alimentation électrique. Faites réparer l'appareil par un technicien qualifié.
- N'utilisez pas de revêtements de protection pour doubler le four ni de nettoyeurs pour le four du commerce sauf s'il est certifié que vous pouvez les utiliser dans un four à autonettoyage.
- Ne nettoyez pas le joint d'étanchéité de la porte. Ce joint d'étanchéité est essentiel pour garantir l'étanchéité. Il faut veiller à ne pas frotter, endommager ni déplacer le joint d'étanchéité.
- **IMPORTANT** : Certains oiseaux sont extrêmement sensibles aux vapeurs dégagées durant le cycle d'autonettoyage de n'importe quelle cuisinière. Placez les oiseaux dans une autre pièce, bien ventilée.

LISEZ CES INSTRUCTIONS ET RANGEZ-LES SOIGNEUSEMENT

CONSIGNES DE SÉCURITÉ IMPORTANTES

LISEZ TOUTES LES INSTRUCTIONS AVANT D'UTILISER L'APPAREIL

⚠ AVERTISSEMENT

CONSIGNES DE SÉCURITÉ RELATIVES À LA TABLE DE CUISSON

⚠ AVERTISSEMENT

N'utilisez JAMAIS la section de cuisson en surface de cet électroménager sans surveillance.

- **L'omission de se conformer à cet avertissement pourrait causer un incendie ou une explosion représentant un risque de dommage à la propriété, de blessure ou de décès.**
- **Dans l'éventualité d'un incendie, tenez-vous à l'écart de l'électroménager et appelez immédiatement votre service d'incendie.**

NE TENTEZ PAS D'ÉTEINDRE UN FEU D'HUILE OU DE GRAISSE AVEC DE L'EAU.

- Ne laissez jamais de l'huile en cours de friture sans surveillance. Au-delà de son point de fumée, l'huile peut s'enflammer et causer un incendie pouvant se propager aux armoires environnantes. Utilisez un thermomètre à bain de friture lorsque c'est possible afin de surveiller la température de l'huile.
- Pour prévenir le débordement d'huile et l'incendie consécutif, utilisez une quantité d'huile minimale lorsque vous utilisez une casserole peu profonde et évitez de cuire des aliments congelés qui comportent trop de glace.
- Utilisez une casserole d'une taille appropriée et évitez celles qui sont instables ou qui basculent facilement. Réglez les flammes du brûleur de façon qu'elles ne dépassent pas le fond de la casserole. Des flammes trop intenses présentent un risque.
- Utilisez toujours la position LITE (allumage) lorsque vous allumez les brûleurs supérieurs et assurez-vous qu'ils sont bien allumés.
- Lorsque vous utilisez une batterie de cuisine en verre ou céramique, assurez-vous qu'elle convient à la chaleur d'une table de cuisson; certaines peuvent éclater en raison du brusque changement de température.
- Pour minimiser la possibilité de brûlure, d'allumage de matières inflammables ou de débordement, la poignée du récipient doit être orientée vers le centre de la table de cuisson sans se trouver au-dessus des brûleurs environnants.
- N'utilisez pas un wok doté d'un anneau de support métallique. L'anneau peut emprisonner la chaleur, bloquer l'air au brûleur et présenter un risque d'intoxication au monoxyde de carbone.
- Ne tentez pas de soulever la table de cuisson. Cela peut endommager la tuyauterie de gaz aux brûleurs occasionnant une fuite de gaz et un risque d'incendie.
- N'utilisez pas de papier aluminium pour recouvrir les grilles ou une partie de la table de cuisson. Cela peut mener à une intoxication au monoxyde de carbone, à la surchauffe des surfaces de la table de cuisson ou à un incendie.

LISEZ CES INSTRUCTIONS ET RANGEZ-LES SOIGNEUSEMENT

CONSIGNES DE SÉCURITÉ IMPORTANTES

LISEZ TOUTES LES INSTRUCTIONS AVANT D'UTILISER L'APPAREIL

▲ AVERTISSEMENT CONSIGNES DE SÉCURITÉ RELATIVES AU FOUR

▲ AVERTISSEMENT Ne recouvrez JAMAIS les fentes, les trous ou les passages dans le bas du four, ni une grille en entier, avec une matière telle que du papier d'aluminium ou une doublure de four. Un tel recouvrement bloque la circulation d'air dans le four et peut causer un empoisonnement au monoxyde de carbone. Ne placez jamais du papier d'aluminium ou une doublure de four dans le bas du four. Ces matières peuvent emprisonner la chaleur et poser un risque de fumée ou d'incendie.

- Tenez-vous à l'écart de la cuisinière lorsque vous ouvrez la porte du four. La vapeur ou l'air chauds qui s'échappent peuvent brûler les mains, la figure et/ou les yeux.
- Ne placez jamais d'ustensiles, de pierres à pizza ou de cuisson, ni tout type de papier ou de doublure sur le fond du four. Ces articles peuvent emprisonner la chaleur ou fondre, endommageant le produit et causant un risque de décharge électrique, d'enfumage ou d'incendie.

- Attendez que le four soit refroidi pour placer les grilles du four aux emplacements désirés. Si la grille doit être déplacée alors que le four est chaud, évitez de toucher aux surfaces chaudes.
- Ne laissez des articles tels que du papier, des ustensiles ou des aliments dans le four lorsqu'il n'est pas utilisé. Les articles rangés dans le four peuvent s'enflammer.
- Ne laissez pas des articles sur la table de cuisson près de l'orifice de ventilation du four. Les articles peuvent surchauffer et poser un risque d'incendie ou de brûlure.
- N'utilisez jamais la fonction de grill avec la porte ouverte. La cuisson au grill avec la porte ouverte n'est pas autorisée en raison du risque de surchauffe des boutons de commande.

MISE AU REBUT ADÉQUATE DE VOTRE ÉLECTROMÉNAGER

Veillez jeter ou recycler votre électroménager conformément aux règlements fédéraux ou locaux. Communiquez avec les instances locales pour en savoir plus sur la mise au rebut ou le recyclage de votre électroménager.

Comment retirer la pellicule protectrice et le ruban adhésif de l'emballage

Avec précaution, agrippez un coin de la pellicule protectrice avec vos doigts et retirez-la lentement de la surface de l'électroménager. N'utilisez pas d'articles coupants pour retirer la pellicule. Retirez toute la pellicule avant d'utiliser l'électroménager pour la première fois.

Pour s'assurer de l'absence de dommages au fini du produit, la meilleure manière de retirer le ruban adhésif sur un électroménager neuf consiste à appliquer un détergent pour lave-vaisselle liquide domestique. Appliquez avec un linge doux et laissez imbiber.

REMARQUE : L'adhésif doit être retiré de toutes les parties. Cela sera impossible s'il est cuit.

Considérez les options de recyclage des matériaux d'emballage de votre électroménager.

LISEZ CES INSTRUCTIONS ET RANGEZ-LES SOIGNEUSEMENT

UTILISATION DE LA CUISINIÈRE

Lors de sa mise en service initiale, ce four nécessite une mise à jour logicielle pour activer toutes les fonctions. Pour procéder à la mise à jour, téléchargez l'application SmartHQ et suivez les instructions de connexion du four à votre réseau Wi-Fi domestique. Certaines fonctions ne sont disponibles qu'en passant par l'application SmartHQ. Pour plus de renseignements sur la méthode de connexion, reportez-vous à la section « Connexion Wi-Fi et contrôle à distance » de ce manuel.

CONNEXION DE LA CUISINIÈRE COMPATIBLE WI-FI

Votre four est conçu pour vous procurer une communication bidirectionnelle entre votre électroménager et un appareil intelligent. Grâce à l'application mobile SmartHQ, vous serez en mesure de contrôler les fonctions essentielles du four telles que le réglage de la température et du mode de cuisson à l'aide d'une tablette ou d'un téléphone intelligent.*

Ce dont vous aurez besoin

Votre four utilise votre réseau WI-FI domestique pour communiquer entre l'électroménager et votre appareil intelligent. Pour configurer votre four, vous devez recueillir certains renseignements :

1. Chaque cuisinière comporte une étiquette d'informations sur la connectivité de l'appareil sur laquelle figure un identifiant d'électroménager UPD. Il s'agit d'un renseignement important nécessaire pour vous connecter à l'appareil. L'étiquette se trouve généralement à l'intérieur de la porte du four ou du tiroir.

Connected Appliance Information

Contains FCCID: ZKJ-WCATA009 UPD ID: XX-XX-XX-XX-XX-XX
Contains IC: 10229A-WCATA009
MAC ID: D8-28-C9-XXXXXXXX PT. NO. XXXXXXXXXXXXX

Exemple d'étiquette

2. Préparez votre tablette ou votre téléphone intelligent en vue d'accéder à l'Internet et de télécharger des applications.
3. Vous devez connaître le mot de passe de votre routeur Wi-Fi domestique. Ayez ce mot de passe à portée de la main lors de la configuration de votre four.

Connexion de la cuisinière

1. Sur votre tablette ou votre téléphone intelligent, visitez **monogram.com/connect** pour en savoir davantage sur les fonctions de connexion d'électroménagers et pour télécharger l'application mobile SmartHQ.
2. Suivez les instructions de l'application pour connecter votre four.
3. Une fois la procédure terminée, l'icône de connexion s'allumera si la connexion est réussie.
4. Si l'icône ne s'allume pas, suivez les instructions de l'application pour vous reconnecter. Si le problème persiste, composez le 800.220.6899 et demandez de l'aide concernant la connectivité sans fil de votre four.

Pour connecter des appareils intelligents supplémentaires, répétez les étapes 1 et 2.

Notez que toute modification ou remplacement du dispositif de communication à distance de ce four qui n'est pas explicitement approuvé(e) par le fabricant peut annuler le droit de l'utilisateur de se servir de cet équipement.

*Des appareils Apple ou Android compatibles et un réseau Wi-Fi domestique sont requis.

ÉQUIPEMENT COMMANDÉ À DISTANCE

Cet appareil est conforme aux prescriptions de la partie 15 des règles de la FCC. Le fonctionnement de cet équipement est assujéti aux deux conditions suivantes : (1) Cet appareil ne doit pas causer de brouillage préjudiciable; et (2) cet appareil doit accepter tout brouillage qu'il reçoit, y compris celui pouvant entraîner un fonctionnement indésirable.

L'équipement de communication sans fil installé dans cette table de cuisson a été testé et déclaré conforme aux limites d'un appareil numérique de Classe B, conformément à la partie 15 de la réglementation de la FCC. Ces limites sont conçues pour :

(a) assurer une protection raisonnable contre le brouillage nuisible dans une installation résidentielle. Cet équipement génère, utilise et émet des fréquences radio qui, en cas d'une installation erronée ou d'une utilisation non-conforme aux instructions de ce manuel d'utilisation peuvent causer un brouillage nuisible aux communications radio. Il n'y a cependant aucune garantie qu'un brouillage nuisible ne surviendra pas dans une installation donnée. Si cet équipement cause un brouillage nuisible sur votre poste radio ou de télévision, ce que vous pouvez déterminer en éteignant et en rallumant votre équipement, il est conseillé à l'utilisateur d'essayer de pallier ce brouillage nuisible en prenant l'une ou l'autre des mesures suivantes :

- Réorienter ou repositionner l'antenne de réception.
- Augmenter la distance entre l'équipement et le récepteur.
- Brancher l'équipement dans une prise d'un circuit qui diffère de celui auquel le récepteur est branché.
- Consulter le revendeur ou un technicien en radio-télévision pour obtenir de l'aide.

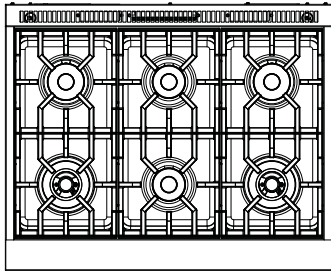
(b) accepter tout brouillage qu'il reçoit, y compris celui pouvant entraîner un fonctionnement indésirable de l'appareil.

Notez que tout changement ou toute modification de l'équipement de communication sans fil qui ne sont pas explicitement approuvés par le fabricant peuvent annuler le droit de l'utilisateur de se servir de cet équipement.

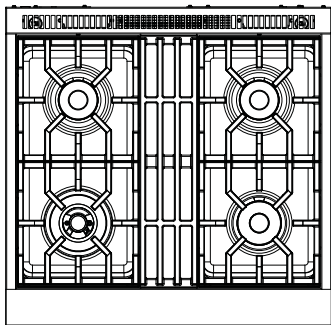
UTILISATION DE LA CUISINIÈRE

FONCTIONS DE LA CUISINIÈRE ET DE LA TABLE DE CUISSON

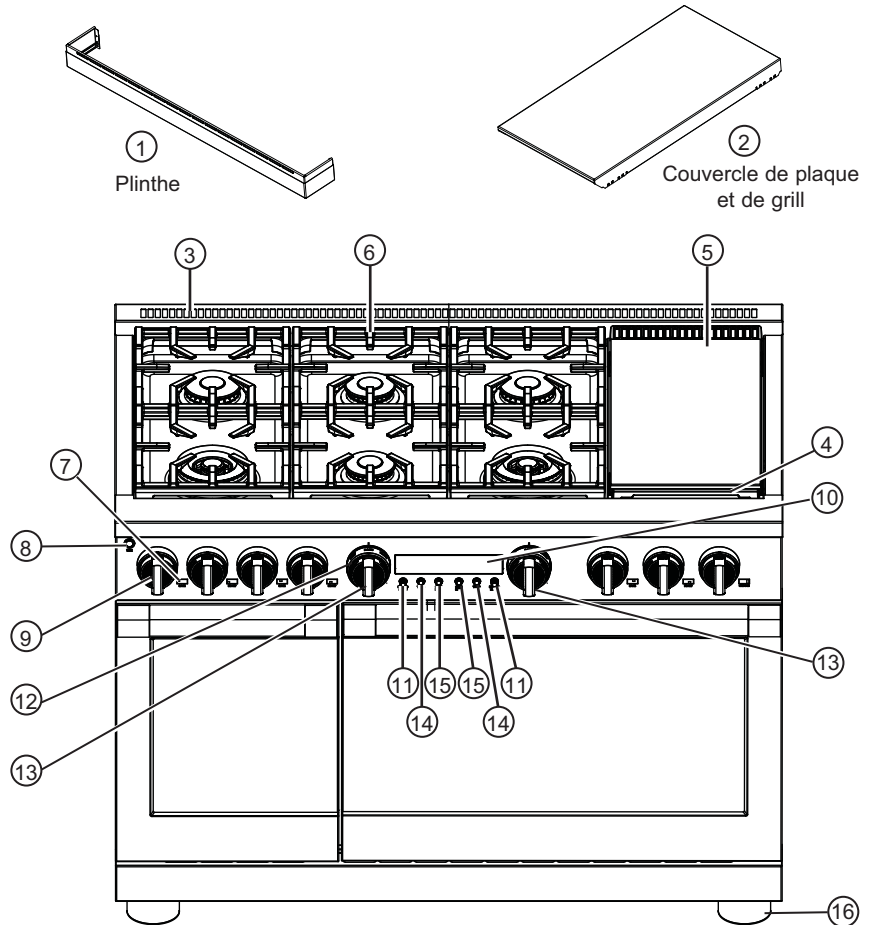
(Toutes les fonctions ne sont pas présentes sur tous les modèles. L'apparence peut varier d'un modèle à l'autre).



6 brûleurs au gaz



4 brûleurs au gaz



Le modèle à double four illustré est doté d'un four à gauche.

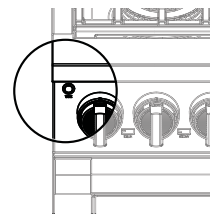
	Index des fonctions	Page
1	Plinthe	
2	Couvercles de plaque et de grill (sur certains modèles)	
3	Évents du four	20
4	Dalot à graisse de grill et de plaque chauffante (sur certains modèles)	40
5	Plaque chauffante (sur certains modèles)	14, 40
6	Grilles de brûleur de table de cuisson	13, 40
7	Indicateur d'emplacement de brûleur	
8	Commande de l'éclairage d'accentuation	11
9	Bouton de commande du brûleur avec cadran éclairé	12, 33
10	Écran de four	16, 22, 34, 35
11	Mini-bouton (pour sélectionner PROBE, TIMER et Paramètres)	16-19, 28, 33-35
12	Bouton de sélection de mode	16, 22, 34, 35
13	Bouton Température du four	16, 22, 34, 35
14	Minuteur	16, 17
15	Lampe du four	16, 38
16	Système d'équilibrage (4)	

UTILISATION DE LA CUISINIÈRE

COMMANDE DE L'ÉCLAIRAGE D'ACCENTUATION

Ce bouton commande l'éclairage d'accentuation DEL au panneau de commande. Des options de couleurs personnalisées pour l'éclairage du bouton et des tâches sont disponibles dans l'application.

- LED Accent light ON (lampe d'accentuation activée)
- LED Accent light ON and knob lights ON (lampes d'accentuation et du bouton activées)
- All OFF (toutes les lampes désactivées)



EN CAS DE PANNE DE COURANT

Dans l'éventualité d'une panne de courant, il devient impossible de commander le four et il ne faut pas tenter de le faire. Toutefois, on peut allumer les brûleurs de surface à l'aide d'une allumette. En usant d'une extrême prudence, tenez une allumette

allumée près des orifices en dessous du chapeau du brûleur de surface, puis tournez lentement le bouton jusqu'à la position LITE (allumage). Une fois allumés, les brûleurs de surface fonctionneront normalement.

BRÛLEURS DE SURFACE

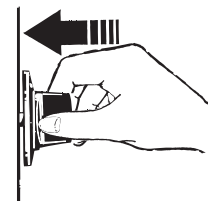
Allumage d'un brûleur de surface

⚠ AVERTISSEMENT Il faut utiliser les brûleurs uniquement lorsqu'ils sont recouverts d'un récipient (casserole, poêlon, etc.) de cuisson. Les flammes de brûleur non recouvertes par un ustensile de cuisson présentent un risque d'incendie ou d'inflammation de vêtement. Ne laissez jamais les flammes dépasser des côtés du récipient de cuisson. L'omission d'observer cette directive peut occasionner des blessures graves.

Assurez-vous que tous les brûleurs se trouvent au bon emplacement et complètement assemblés avant de tenter d'utiliser un brûleur quelconque.

Sélectionnez un brûleur et trouvez son bouton de commande. Poussez le bouton et tournez-le jusqu'à la position LITE (allumage).

Vous entendrez un clic, c'est-à-dire le son de l'étincelle électrique qui allume le brûleur. Lorsqu'un brûleur est tourné à LITE, tous les brûleurs vont produire une étincelle. La production d'étincelles se poursuivra aussi longtemps que le bouton se situera à LITE. Une fois le gaz allumé, tournez le bouton pour régler la taille de la flamme.



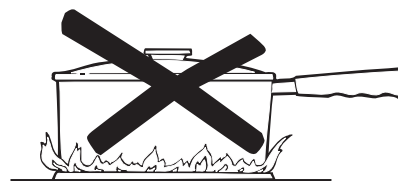
Pousser le bouton de commande et tourner jusqu'à la position LITE.

Rallumage automatique

Les brûleurs de cette cuisinière se rallumeront automatiquement si la flamme s'éteint.

Sélection de la taille de flamme

Regardez la flamme, et non le bouton, lorsque vous réglez la chaleur. Lorsqu'un chauffage rapide est désiré, la taille de la flamme doit correspondre à la taille du récipient de cuisson que vous utilisez. Les flammes plus grandes que le bas du récipient ne chaufferont pas plus rapidement et elles peuvent s'avérer dangereuses.



Ces flammes sont trop grandes pour le récipient

Utilisation des brûleurs de surface

REMARQUES :

- Ne faites pas fonctionner le brûleur durant une longue période sans récipient de cuisson sur la grille. Le fini de la grille peut se décolorer ou s'écailler sans récipient pour absorber la chaleur.
- Ne tentez pas de démonter un brûleur pendant qu'un autre brûleur est allumé. Vous risquez d'endommager le produit.

- Assurez-vous que les brûleurs et les grilles sont refroidis avant de mettre votre main, une poignée ou des agents nettoyants sur ceux-là.

Le dessus de votre cuisinière est doté de brûleurs au gaz scellés qui procurent commodité, facilité de nettoyage et flexibilité pour un large éventail d'utilisations de cuisson.

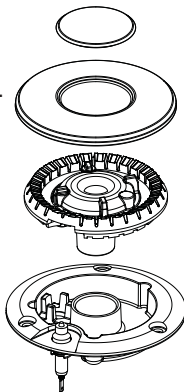
UTILISATION DE LA CUISINIÈRE

BRÛLEURS DE SURFACE (suite)

Types de brûleurs de surface

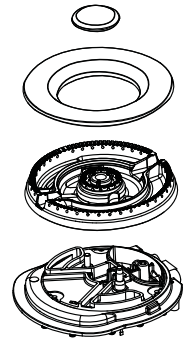
Brûleur à double flammes superposées :

Utilisez ce brûleur à des fins de cuisson générales. Utilisez un récipient de cuisson dont la taille correspond aux flammes.



Brûleur à plusieurs anneaux :

Utilisez ce brûleur pour les grands récipients ou les plats à mijoter.



Brûleurs Double Flamme Superposés

Les brûleurs à double flammes superposés de votre cuisinière produisent deux ensembles de flammes dont l'un est superposé sur l'autre, les brûleurs double flamme disposent d'une flamme réduite (feu doux) et d'une flamme plus importante (feu principal).

Lorsqu'un brûleur est activé, la flamme (feu doux) se maintient toujours allumée.

Feu doux ou mijotage :

Le brûleur à deux rangées de flammes a été conçu pour fournir un éventail de réglages de puissance qui inclut le feu doux ou mijotage. Selon le type et la quantité de nourriture et de la taille de la casserole, la flamme peut être réglée pour s'ajuster à vos besoins spécifiques.

Cuisson :

Les réglages allant de **LO** à **MED** utilisent les flammes réduites ainsi que les flammes principales. Utilisez **HI** vous utilisez un ustensile d'un diamètre plus important.

HI est destiné à saisir les aliments rapidement et faire bouillir de grandes quantités d'eau.

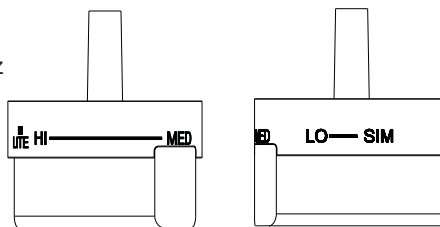


Les brûleurs à double flammes sont livrés avec des chapeaux en émail noir et des pièces insérées en laiton qui reposent dans le centre. Le consommateur peut retirer les pièces insérées s'il le souhaite.

Brûleur à plusieurs anneaux

Le brûleur à plusieurs anneaux est doté de deux groupes d'anneaux, intérieur et extérieur. Pour les grands récipients, activez tous les anneaux en réglant le brûleur entre Hi et Med.

Pour les petits récipients et la cuisson à faible chaleur, activez seulement les



Vue de dessus du bouton du brûleur à plusieurs anneaux

anneaux intérieurs en réglant le brûleur entre Lo et Sim.

Les brûleurs à plusieurs anneaux sont livrés avec des chapeaux en émail noir et en laiton, au choix du consommateur.

Récipients pour la cuisson en surface

Aluminium : Nous recommandons des récipients de poids moyen car ils s'échauffent rapidement et uniformément. La plupart des aliments brunissent uniformément dans un poêlon en aluminium. Utilisez des casseroles avec des couvercles étanches lorsque vous cuisez avec une quantité d'eau minimale.

Acier inoxydable : Seul, ce métal ne comporte pas de propriétés calorifiques intéressantes et il est généralement combiné avec le cuivre, l'aluminium et d'autres métaux afin d'améliorer la distribution de la chaleur. Les poêlons aux métaux combinés donnent de bons résultats s'ils sont utilisés à chaleur moyenne ou selon les recommandations du fabricant.

Fonte : S'ils sont chauffés lentement, la plupart des poêlons donneront des résultats satisfaisants.

Métal émaillé : Dans certaines conditions, l'émail de certains récipients de cuisson peut fondre. Suivez les recommandations du fabricant pour les méthodes de cuisson.

Verre : Il existe deux types de récipients en verre, ceux qui vont au four seulement et ceux pour la cuisson en surface (casseroles, récipients pour le café et le thé). Le verre conduit la chaleur très lentement.

Vitrocéramique résistante à la chaleur : Elle peut s'utiliser autant pour le four qu'en surface. Sa conduction de chaleur et son refroidissement s'effectuent très lentement. Consultez les directives du fabricant du récipient pour savoir s'il convient aux cuisinières au gaz.

UTILISATION DE LA CUISINIÈRE

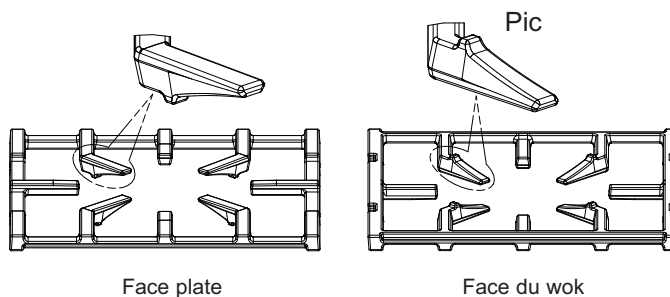
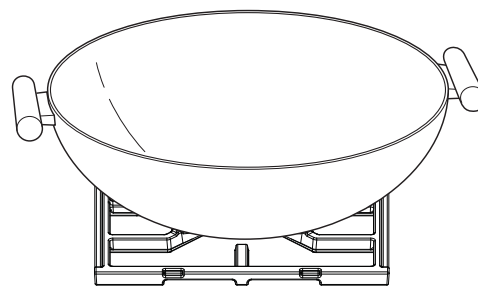
Cuisiner au wok

Les grilles des brûleurs ont été spécialement conçues pour être utilisées sur deux faces. La face plate convient aux ustensiles à fond plat (marmites, casseroles, poêles à frire et woks à fond plat), tandis que le côté wok est conçu pour une grande variété de woks à fond rond de 14 à 16 po de diamètre sans nécessiter un anneau particulier.

Pour plus de commodité, il est recommandé d'utiliser un brûleur frontal lorsque vous cuisinez à l'aide d'un wok.

Les brûleurs avant gauche ou droit sont recommandés pour la cuisson au wok sur les cuisinières de 36 à 48 po, et le brûleur avant gauche sur les cuisinières de 30 po.

⚠ AVERTISSEMENT N'utilisez pas un anneau de support de wok. Placer un tel anneau au-dessus d'un brûleur ou d'une grille peut nuire au bon fonctionnement du brûleur, ce qui augmentera le niveau de monoxyde de carbone au-dessus des valeurs admissibles. Cela peut présenter un risque pour votre santé.



UTILISATION DE LA CUISINIÈRE

GRILLE (sur certains modèles)

⚠ AVERTISSEMENT Risque d'incendie

- Usez de prudence lors de la cuisson d'aliments gras. L'écoulement de graisse peut provoquer un incendie.
- Ne placez jamais un article quelconque sur la plaque chauffante lorsque celle-ci n'est pas utilisée. La chaleur des brûleurs environnants peut chauffer la plaque chauffante et provoquer un incendie.
- Placez et enlevez la plaque chauffante seulement lorsqu'elle est refroidie et que tous les brûleurs de surface sont éteints (OFF).

PRÉCAUTIONS DE SÉCURITÉ DE LA PLAQUE CHAUFFANTE, RÉGLAGE DE LA HAUTEUR

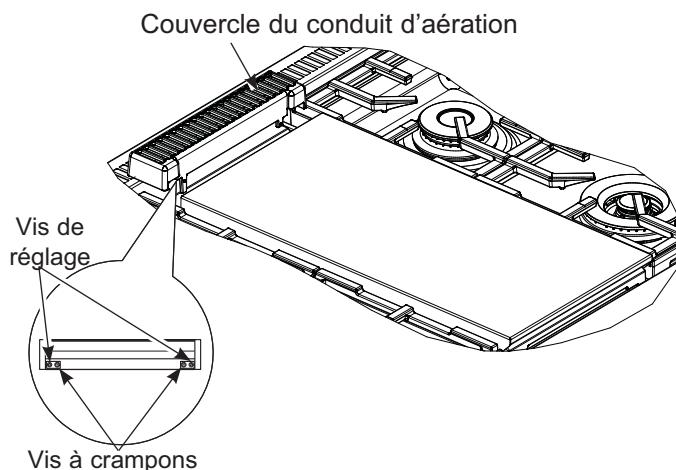
Retirez le couvercle en métal et la planche à trancher avant d'allumer la plaque chauffante.

Les éléments de la plaque chauffante ne doivent pas être retirés lors de son entretien.

Une fois que le dispositif est prêt, vous pouvez régler la hauteur. Retirez le conduit d'aération en le tirant dessus à l'horizontale. Veillez à ne pas rayer les surfaces en acier inoxydable alentour lorsque vous retirez le couvercle du conduit d'aération.

Les deux vis intérieures sont des vis à crampons qui servent à maintenir la plaque en place. Desserrez ces deux vis avant de procéder au réglage de la hauteur de la plaque. **Ne retirez pas ces deux vis.**

Les deux vis extérieures sont des vis de réglage de hauteur. **Ne retirez pas ces deux vis.** Vous pouvez les desserrer pour régler la plaque ou bien pour créer une légère inclinaison par laquelle s'écouleront les huiles et les graisses lorsque vous serez en train de cuisiner. Après les premières utilisations, vous serez en mesure de déterminer l'inclinaison la plus adéquate selon les aliments que vous préparez ou selon vos préférences.



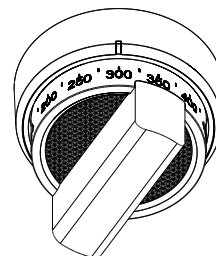
Après avoir réglé la hauteur de la plaque, resserrez les vis à crampons pour fixer la plaque dans sa position de départ. **Serrez les vis à la main, ne pas serrer excessivement.**

UTILISER LA PLAQUE CHAUFFANTE

Nettoyez la plaque chauffante soigneusement avec de l'eau savonneuse avant la première utilisation et après les utilisations subséquentes. La surface de la plaque chauffante est fabriquée avec de l'acier inoxydable de type 304 résistant, à polissage de haute précision, doublé d'une plaque en aluminium pour distribuer la chaleur uniformément. Appliquez un léger film d'huile de cuisson sur la surface de la plaque chauffante afin d'empêcher les aliments de coller.

Pour chauffer la plaque chauffante, poussez et tournez le bouton de commande jusqu'au réglage de température désiré. La lampe du cadran va s'allumer pour indiquer que la commande du thermostat fonctionne. La plaque chauffante est commandée par thermostat et peut se régler à n'importe quelle température entre 200 °F et 450 °F (93 °C à 232 °C). Laissez la grille se réchauffer durant 10 minutes avant d'y placer des aliments.

REMARQUE : Contrairement aux brûleurs de surface qui utilisent des allumeurs à étincelle, la plaque chauffante utilise un allumeur de surface chaude. Une fois le bouton de commande tourné à la température choisie, il faut environ 45 secondes pour que le gaz alimente le brûleur.



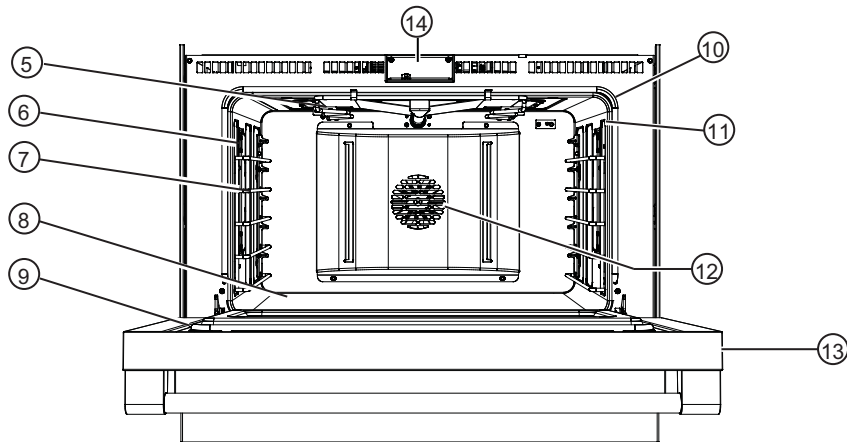
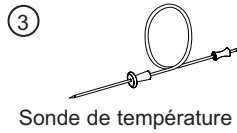
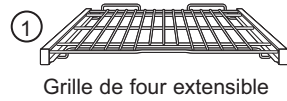
Aliment	Température
Crêpes	375°F (190°C)
Biftecks hachés	400°F (204°C)
Bacon*	400°F (204°C)
Fromage fondu	350°F (176°C)
Œufs	275°F (135°C)

*REMARQUE : Disposez le bacon sur une plaque froide. Ne pas préchauffer.

UTILISATION DE LA CUISINIÈRE

CARACTÉRISTIQUES DE VOTRE FOUR

REMARQUE : Toutes les fonctions ne sont pas présentes sur tous les modèles

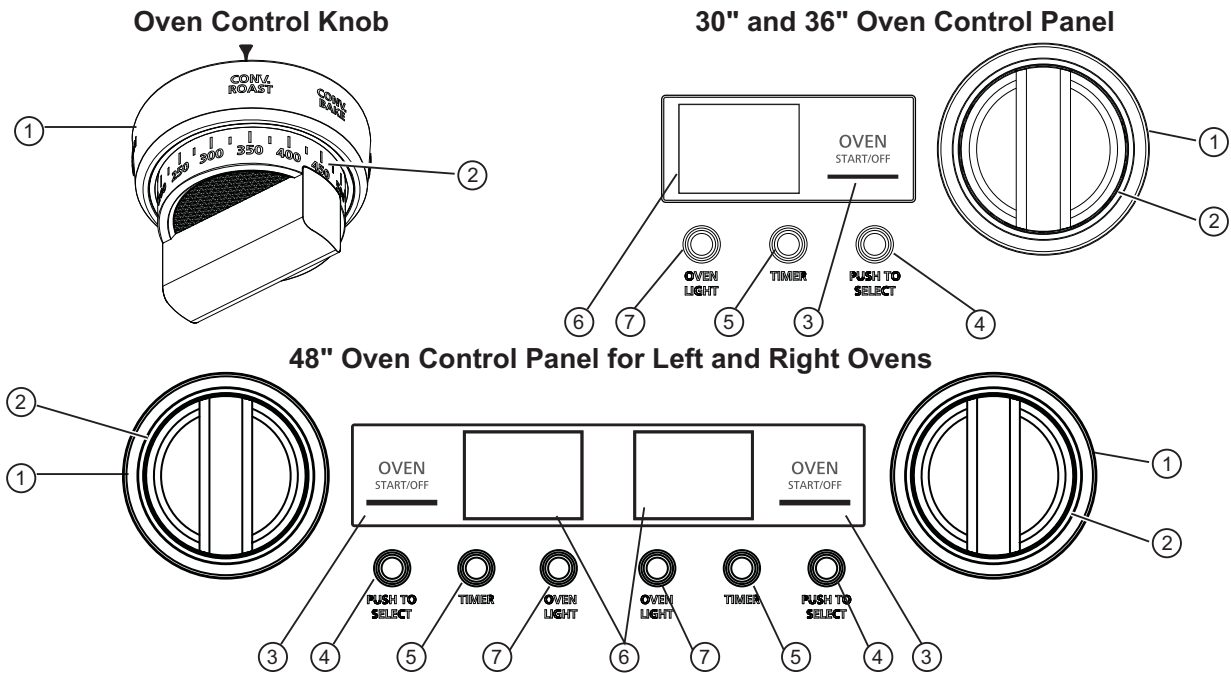


	Index des fonctions	Page
1	Grille(s) de four extensible(s) — 2 dans le four (four droit sur modèles 48 po) — 2 dans le four gauche	19,34
2	Barquette et grille - 1 dans le four (four droit sur modèles 48 po) 1 petite dans le four gauche	31
3	Sonde de température	26,27,34
4	Grille de rôtissage	23,31
5	Système de rôtissage	21
6	Colonnes de four halogènes	36
7	Supports de grille de four — 5 positions dans le four (four droit sur modèles 48 po) — 4 positions dans le four gauche	18,19
8	Brûleur de four dissimulé (sous le sol du four)	8,20
9	Joint de porte de four	35
10	Joint de cadre du four	14
11	Prise de sonde de température — côté droit dans le four (four droit sur modèles 48 po) — côté gauche dans le four gauche	26,27
12	Ventilateur de convection	22,23,24
13	Porte de four à fermeture souple	35
14	Verrou de porte de four automatique	14

REMARQUE : Les modèles équipés d'un petit four possèdent les mêmes fonctions que le grand four.

UTILISATION DE LA CUISINIÈRE

FONCTIONS DU PANNEAU DE COMMANDE ET DU MINUTEUR



1 Bouton de sélection de mode du four – Tournez le cercle extérieur pour sélectionner :

Modes de cuisson traditionnelle : Votre four est doté des modes de cuisson traditionnelle suivants : Cuisson au four et au grill

Modes de cuisson par convection : Les modes de cuisson par convection utilisent une circulation d'air augmentée pour améliorer la performance. Voyez la section Modes de cuisson au four pour plus d'informations.

Warm (tenue au chaud) : Le mode Warm est conçu pour garder les aliments chauds à une température plus élevée jusqu'à 3 heures durant.

Proof (fermentation) : Le mode de fermentation maintient une chaleur suffisante pour faire lever la pâte à la levure. Voyez la section sur les modes du four pour plus d'informations.

Clean (nettoyage) : Sélectionnez cette option pour les fonctions d'autonettoyage et de nettoyage à la vapeur. Voyez la section Entretien et nettoyage de ce manuel.

2 Bouton Température du four – Tournez pour sélectionner : Températures de 175°F (80°C) à 550°F (290°C).

LOW BROIL (Cuisson au grill légère) – Une température de cuisson au grill inférieure est automatiquement réglée.

HIGH BROIL (Cuisson au grill forte) – Une température de cuisson au grill supérieure est automatiquement réglée.

CLEAN (Nettoyage) – La température de nettoyage est réglée automatiquement.

Le bouton du four clignote en orange pendant le préchauffage et s'allume dans cette couleur une fois le préchauffage

Couleur illuminée	Mode du four
Bleu	Application
Blanc	Nettoyage à la vapeur
Rouge	Défaut
Orange	Cuisson au four/ Cuisson au grill
Jaune	Tenue au chaud
Aucune lumière	Arrêt (OFF)

terminé. Le tableau ci-dessous énumère les couleurs de bouton illuminé pour chaque mode du four. Des options de couleurs personnalisées pour l'éclairage du bouton et des tâches sont disponibles dans l'application.

3 Bouton d'affichage – Pressez-le pour démarrer n'importe quelle cuisson ou la fonction de nettoyage. Annule TOUTES les actions du four à l'exception de la minuterie.

4 Mini bouton – Tournez pour sélectionner et appuyez dessus pour saisir les paramètres PROBE (Sonde) ou TIMER (Minuteur). Pressez le mini-bouton lorsque l'affichage est inactif afin d'accéder à plus de fonctions dans des menus plus détaillés. Voyez la section Paramètres pour plus d'informations.

5 Bouton Minuteur – Poussez pour sélectionner la fonction de minuteur qui fait le décompte du temps. Le four va continuer à fonctionner une fois le décompte du minuteur terminé. Tournez pour sélectionner et poussez pour entrer dans les réglages du minuteur.

REMARQUE : Vous ne pouvez pas utiliser le minuteur lorsque le four est en autonettoyage. (Sur les modèles à deux fours, vous pouvez utiliser le minuteur du four qui n'est pas en autonettoyage.)

6 Écran du four – Il affiche les paramètres du four telles que les températures du four et de la sonde et le minuteur de cuisson.

7 Lampe du four – Poussez pour allumer (ON) ou éteindre (OFF).

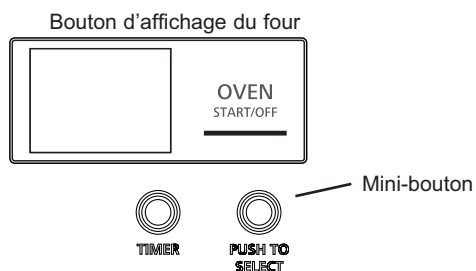
Le bouton de sélection de mode du four (1) ET le Bouton Température du four (2) doivent être réglés simultanément sur l'une des combinaisons valides ci-dessous :

Bouton de sélection de mode	Bouton Température du four
BAKE (Cuisson au four)	175°–550°F (80°–290°C)
CONV BAKE (Cuisson au four - Convection)	175°–550°F (80°–290°C)
CONV ROAST (Rôtissage - Convection)	175°–550°F (80°–290°C)
CONV BROIL (Grill - Convection)	HIGH ou LOW BROIL
BROIL (Grill)	HIGH ou LOW BROIL
WARM (Tenue au chaud)	—
PROOF (Fermentation)	—
CLEAN (Nettoyage)	CLEAN

Une fois le mode et la température sélectionnés, pressez le bouton **START/OFF** pour allumer ou éteindre le four.

Pour annuler une fonction, pressez START/OFF.

UTILISATION DE LA CUISINIÈRE



Minuteur

REMARQUE : Le minuteur est indépendant des autres fonctions et ne permet pas de commander le four.

Pour régler le minuteur :

1. Appuyez sur le bouton **TIMER (Minuteur)**.
2. Tournez le **Mini-bouton** pour régler la durée jusqu'à 12 heures et appuyez pour sélectionner.

Sur les modèles double four, chaque commande est dotée de sa propre fonction minuteur. Chaque minuteur peut être réglé de façon autonome.

La commande émettra un bip pendant 1 minute et l'écran affichera les secondes jusqu'à ce que le minuteur compte jusqu'à :00. Lorsque le minuteur atteint :00, la commande émettra 3 bips, suivis d'un bip toutes les 6 secondes jusqu'à ce que le **Mini-bouton** soit enfoncé.

Pour annuler le minuteur :

Appuyez sur le **mini bouton** et maintenez-le enfoncé pendant 3 secondes.

UTILISATION DE LA CUISINIÈRE

PARAMÈTRES

Le mini-bouton ouvre des menus plus détaillés pour accéder aux fonctions supplémentaires. Pour chaque paramètre, vous sélectionnez la fonction sur l'affichage en pressant et tournant le mini-bouton. Pressez le mini-bouton pour sélectionner l'option. Vous pouvez quitter à tout moment en sélectionnant Back (retour) sur l'affichage.

Connexion Wi-Fi et contrôle à distance

Votre cuisinière est conçue pour vous procurer une communication bidirectionnelle entre votre électroménager et un appareil intelligent. Grâce aux fonctions WiFi Connect (connexion Wi-Fi), vous serez en mesure de contrôler les fonctions essentielles de la cuisinière telles que le réglage de la température, les minuteriers et les modes de cuisson à l'aide d'une tablette ou d'un téléphone intelligent.*

Sélectionnez Settings (paramètres) puis Wifi, et suivez les instructions sur l'afficheur de votre cuisinière et l'application du téléphone intelligent. Il est nécessaire d'activer la connexion Wi-Fi avant d'utiliser Remote Enable (contrôle à distance) sur votre cuisinière.

Voyez la section Connexion de votre cuisinière compatible Wi-Fi de la page 9 pour la procédure de connexion complète de votre cuisinière.

Bluetooth® - Chef Connect

Il s'agit d'une fonction d'appariement pour utilisation avec d'autres produits compatibles avec la fonction Chef Connect, par exemple un micro-ondes à hotte intégrée ou une hotte de cuisinière. Pour appairier ces produits à la cuisinière, pressez le mini-bouton et sélectionnez Bluetooth®. Sélectionnez Pair (appairier) et suivez les instructions correspondantes incluses avec le produit compatible Chef Connect. La cuisinière annulera le mode d'appariement après deux minutes si aucun appareil n'est détecté. Sélectionnez Remove (retirer) pour confirmer l'appariement du produit ou pour mettre fin à l'appariement.

Conversion automatique (Auto Conv)

Lorsqu'on utilise la cuisson par convection (Convection Bake) et le rôtissage par convection (Convection Roast), la fonction de conversion de recette automatique (Auto Recipe Conversion) va convertir automatiquement les températures de cuisson régulières qui ont été réglées en températures adaptées pour la cuisson par convection. Notez que cette fonction ne convertit pas les temps de cuisson, mais uniquement la température. On peut activer (On) ou désactiver (Off) cette fonction. Pressez le mini-bouton et tournez-le pour sélectionner AUTO CONVERT puis suivez les instructions pour activer ou désactiver cette fonction.

Arrêt automatique (Auto Off)

Cette fonction met la cuisinière en arrêt après 12 heures de fonctionnement continu. On peut activer ou désactiver cette fonction. Pressez le mini-bouton et tournez-le pour sélectionner 12HR SHUTOFF et activer ou désactiver cette fonction.

Tonalité

Vous pouvez régler le volume et le type d'alerte que votre électroménager utilise. Pressez le mini-bouton et tournez-le pour sélectionner SOUND. Suivez les instructions pour le réglage du volume sonore ou pour alterner entre une tonalité d'alerte répétée ou unique. Une tonalité répétée se poursuivra jusqu'à ce qu'un bouton soit pressé sur le panneau de commande. Vous pouvez aussi régler le volume sonore de la cuisinière. Le panneau de commande fera entendre la tonalité du nouveau volume sonore chaque fois que celui-ci est changé.

F/C (Fahrenheit ou Celsius)

La commande de la cuisinière est pré-réglée pour utiliser des températures en degrés Fahrenheit (F) mais vous pouvez changer pour des degrés Celsius (C). Pressez le mini-bouton et tournez-le pour sélectionner **TEMP UNIT (unité de température)**. Sélectionnez F/C pour alterner entre les unités de température affichées.

* Compatible avec appareils Apple ou Android, réseau Wi-Fi domestique requis.

UTILISATION DE LA CUISINIÈRE

PARAMÈTRES (suite)

Ajustement du thermostat du four

Cette fonction permet d'augmenter ou diminuer la température de cuisson au four de 35 degrés. Utilisez cette fonction si vous croyez que la température de votre four est trop chaude ou trop froide et que vous souhaitez la modifier. Cet ajustement agit sur tous les modes de cuisson à l'exception du rôtissage (broil).

1. Tournez le **mini-bouton** et poussez pour sélectionner ADJUST TEMP (ajustement de température).
2. Tournez le **mini-bouton** encore pour choisir le thermostat de four à ajuster, puis poussez pour le sélectionner.
3. Tournez le **mini-bouton** pour ajuster le thermostat de 35° plus chaud ou 35° plus froid par unités de 1 degré.

Renseignements du four

Sélectionnez **Settings, More** et **Oven Info** pour activer ou désactiver cette fonction. Cette option affiche le numéro de modèle et la version du logiciel.

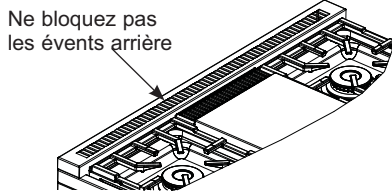
Numéros de modèle et de série

Pressez le mini-bouton et tournez-le pour sélectionner MODEL SERIAL pour afficher les numéros de modèle et de série de votre appareil.

UTILISATION DE LA CUISINIÈRE

ÉVÉNEMENTS DU FOUR

N'obstruez jamais les événements (orifices d'air) de la cuisinière. Ils procurent l'entrée et la sortie d'air nécessaires pour refroidir la cuisinière et procurer la combustion adéquate à un bon fonctionnement.



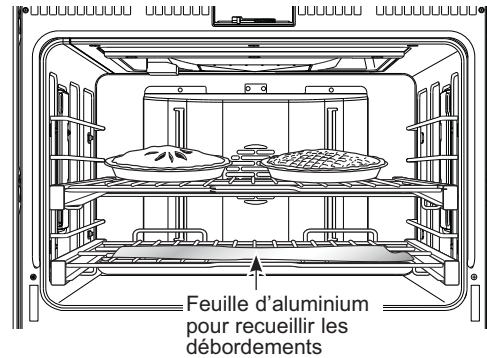
Les orifices d'air sont situés à l'arrière de la table de cuisson, dans le haut et le bas de la porte du four, et dans le bas de la cuisinière.

Papier d'aluminium et doublures de four

⚠ ATTENTION

Abstenez-vous d'utiliser tout type de papier ou de doublure dans le fond du four. Ces articles peuvent emprisonner la chaleur ou fondre, endommageant le produit et causant un risque de décharge électrique, d'enfumage ou d'incendie. Les dommages résultant de l'usage inapproprié de ces articles ne sont pas couverts par la garantie du produit.

Pour protéger des débordements, une feuille d'aluminium peut être placée sur une grille inférieure se trouvant à plusieurs centimètres en dessous des aliments. N'utilisez pas plus de papier d'aluminium que nécessaire et ne recouvrez jamais la totalité d'une grille avec le papier. Laissez une distance d'au moins 3,8 cm (1 1/2 po) entre le papier et les parois du four pour permettre une bonne distribution de chaleur.



GRILLES DU FOUR

⚠ ATTENTION

Afin d'éviter les brûlures éventuelles, placez les grilles dans la bonne position avant d'allumer le four.

Les positions de grille recommandées pour divers types d'aliments figurent dans le Guide de cuisson. La position de la grille a un effet sur les résultats de la cuisson. Par exemple, si vous préférez des dessus de gâteaux, de muffins ou de biscuits plus grillés, montez la grille d'une position. Si vous trouvez que les aliments brunissent trop, descendez-les la prochaine fois.

Lors d'une cuisson nécessitant plusieurs récipients sur plusieurs grilles, laissez un espace d'au moins 1 1/2 po entre ceux-ci pour assurer la circulation d'air.

Votre four comporte peut-être des grilles extensibles et/ou des grilles à profil bas.

Reportez-vous aux sections Guide de cuisson et Modes du four pour des recommandations sur le placement des grilles.

Grilles de cuisson extensibles

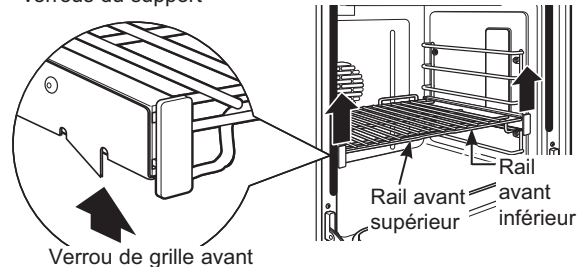
Les grilles disposent d'un cadre qui s'emboîte dans les supports des deux côtés. Une fois le cadre encastré, faites toujours glisser la grille par son rail supérieur, sur la position de butée de son extension pour placer ou retirer les plats.

Retirer et replacer les grilles du four

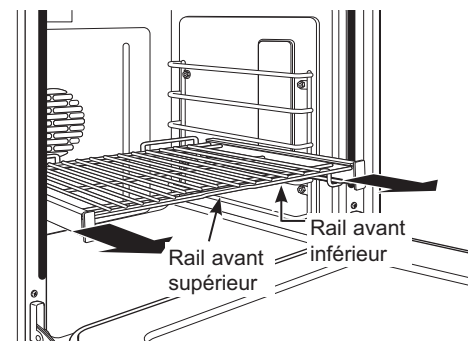
Pour retirer une grille :

1. Veillez à ce que la grille soit introduite jusqu'à atteindre le fond du four.
2. Saisissez la grille par son rail avant supérieur et par le rail arrière inférieur et soulevez-la pour débloquer les verrous avant de ses supports.

Soulevez pour débloquer les verrous du support



3. En tenant fermement les rails avant supérieur et inférieur, tirez la grille vers vous et retirez-la du four.

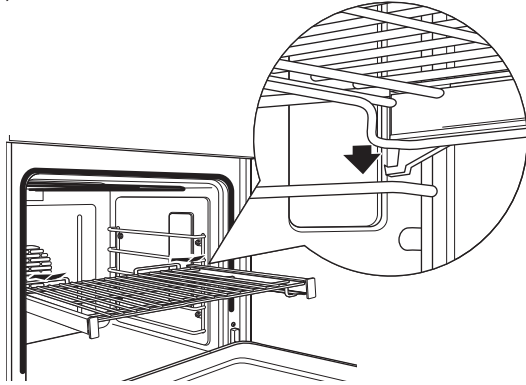


UTILISATION DE LA CUISINIÈRE

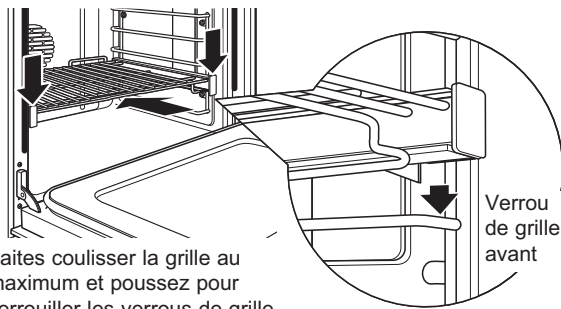
GRILLES DU FOUR (Suite)

Pour replacer une grille :

1. Placez les verrous de la grille arrière sur les supports (cinq positions de cuisson sont disponibles, position supérieure comprise).



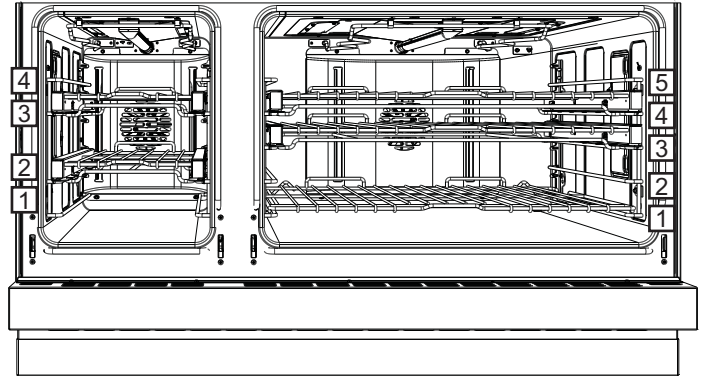
2. Faites glisser complètement la grille jusqu'à ce que le verrou de la grille arrière avant soient fixés sur les supports, et appuyez sur les verrous de la plaque avant sur les supports.



Faites coulisser la grille au maximum et poussez pour verrouiller les verrous de grille avant sur les supports avant

3. Faites glisser la grille vers vous afin de vérifier si elle a été correctement introduite. Si les grilles extensibles sont difficiles à retirer ou replacer, essayez les supports de grille avec de l'huile de cuisson. Ne mettez pas d'huile sur les glissières des grilles.

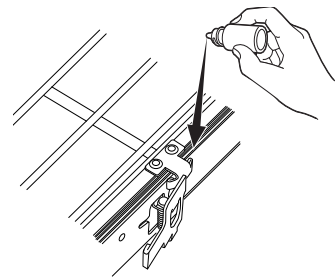
Les grilles peuvent devenir difficiles à glisser, en particulier après un cycle d'autonettoyage. Pour améliorer le glissement, utilisez un linge doux ou une serviette de papier pour appliquer de l'huile végétale sur les bords gauche et droit des grilles et/ou des supports de grille.



REMARQUE : Retirez les grilles non utilisées lorsque vous utilisez le four pour un préchauffage plus rapide, une efficacité accrue et un résultat de cuisson optimal.

Pour lubrifier la palette :

Secouez le lubrifiant et appliquez-en sur les pièces mobiles des mécanismes de la palette comme illustré.



UTILISATION DE LA CUISINIÈRE

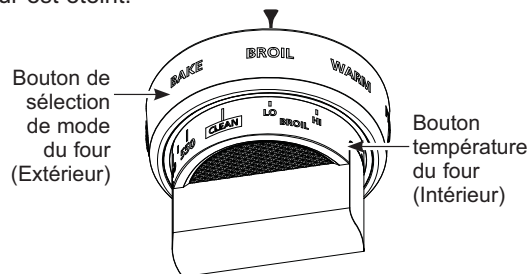
MODES DU FOUR

Votre nouveau four comporte une variété de modes de cuisson pour vous aider à obtenir les meilleurs résultats. Les modes sont décrits ci-dessous. Reportez-vous à la section Guide de cuisson pour les positions de grille recommandées et d'autres conseils pour l'utilisation de ces modes. Placez les grilles dans les positions désirées avant de démarrer le four.

Pour certains modes de cuisson tels que Bake, Convection Bake et Convection Roast, le four va préchauffer et une tonalité va retentir lorsque le four sera prêt pour la cuisson. Certains modes de cuisson ne nécessitent pas de préchauffage. Pour réduire le temps de préchauffage, retirez les grilles non utilisées et évitez d'ouvrir la porte du four jusqu'à la tonalité.

Une fois le four en marche, les éléments chauffants et le ventilateur de convection vont s'allumer et s'éteindre en alternance afin de maintenir les conditions de cuisson appropriées. Évitez d'ouvrir la porte du four trop souvent car cela a un impact sur le temps et l'efficacité de la cuisson.

REMARQUE : Un ventilateur de refroidissement s'enclenchera pour refroidir les composants internes. C'est normal, et le ventilateur continuera probablement de fonctionner même lorsque le four est éteint.



Bouton d'affichage du four

CUISSON AU FOUR

Le mode de cuisson au four régulier est conçu pour une cuisson sur un seule grille. Lorsque vous préparez des produits de boulangerie tels que gâteaux, biscuits et pâtisseries, préchauffez toujours le four d'abord.

Comment régler le four pour la cuisson

1. Tournez le bouton de sélection de mode du four sur **BAKE (Cuisson)**.
2. Avec le Bouton Température du four, réglez la température souhaitée, en incréments de 25 °F (4 °C), de 175 °F (80 °C) à 550 °F (290 °C).
3. Une fois le mode de cuisson et la température sélectionnés, pressez le bouton d'affichage du four (**START/OFF**) pour allumer le four.

Le four commencera alors à préchauffer. L'affichage de la température commencera à 100°F (37°C).

Vous entendrez une tonalité lorsque le four sera préchauffé et les aliments pourront être placés dans le four.

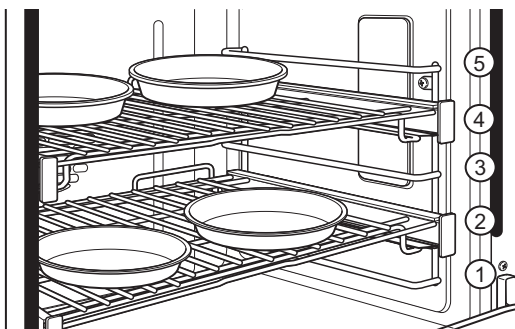
4. Pressez le bouton **START/OFF** pour éteindre (OFF) le four une fois la cuisson terminée.

Utilisez la sonde de température lorsqu'il est important de disposer d'une température interne précise. Voyez la section sur la sonde de température pour plus d'informations.

Pour les meilleurs résultats lorsque vous cuisez un gâteau à 4 étages, placez quatre moules en utilisant les grilles 2 et 4. Positionnez les moules de façon qu'aucun ne se trouve

directement au-dessus d'un autre, comme illustré ci-dessus.

Voyez la section sur les grilles de four pour savoir comment les utiliser, les retirer et les remettre en place.



GUIDE DE CUISSON

TYPE D'ALIMENT	POSITIONS DE GRILLE RECOMMANDÉES - FOUR GAUCHE (modèles 48 po seulement)	POSITIONS DE GRILLE RECOMMANDÉES - FOUR OU FOUR DROIT (modèles 48 po seulement)
Gâteaux étagés, gâteaux plaques, gâteaux Bundt, pains éclairs sur une seule grille	2	2 ou 3
Gâteaux étagés sur plusieurs grilles	-	2 et 4
Gâteaux mousselines (gâteaux des anges)	1	1
Biscuits, petits gâteaux secs, scones, muffins sur une seule grille	2	2 ou 3
Pains à la levure	2	2 ou 3
Rôtis	2	2 ou 3
Poulet entier	2	2 ou 3
Poitrines, cuisses, pilons non désossés	2	2 ou 3
Poitrines de poulet désossées	2	2 ou 3
Dinde entière	-	1 ou 2
Poitrine de dinde	1 ou 2	2 ou 3
Casseroles	2 ou 3	2 ou 3
Pizza sur une seule grille	2	2 ou 3
Produits à base de pommes de terre, poulet, croquettes, hors-d'œuvre sur une seule grille	2	2 ou 3
Légumes	2 ou 3	3 ou 4

Les positions de grille de cuisson suggérées ne sont fournies qu'à titre indicatif. Essayez ces positions pour des aliments spécifiques ou vos préférences personnelles.

UTILISATION DE LA CUISINIÈRE

CUISSON AU GRILL

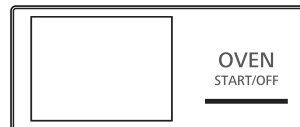
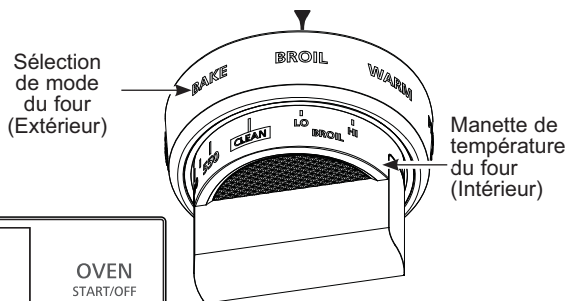
Les modes de cuisson au grill (Broil) sont destinés à saisir les aliments et les rendre croustillants. Grillez (Broil) toujours avec la porte du four fermée. Surveillez les aliments étroitement lorsque vous les grillez. Usez de prudence lors du grillage sur les positions de grille supérieures car approcher les aliments du brûleur de grillage augmente la fumée, les éclaboussements et la possibilité d'enflammer la graisse.

Commencez par des aliments que vous avez l'habitude de griller. Réglez les positions de grille pour ajuster l'intensité de la chaleur sur l'aliment. Placez l'aliment plus près du brûleur de grillage lorsqu'une surface plus grillée ou un intérieur plus cuit est souhaité. Les aliments plus épais ou ceux qu'il faut bien cuire de part en part doivent griller sur une position de grille plus basse ou à une puissance de grillage moins élevée.

Utilisez l'option Broil High (grillage maximal) pour les coupes de viandes plus minces et/ou lorsque vous désirez obtenir une surface grillée avec l'intérieur saignant. Utilisez l'option Broil Low (grillage minimal) pour les coupes de viandes plus épaisses ou les aliments cuits de part en part. Il n'est pas nécessaire de préchauffer lorsque vous utilisez un mode de grillage; cependant, un préchauffage de 5 à 10 minutes est recommandé pour un grillage plus accentué en surface.

Comment régler le four pour la cuisson au grill

1. Tournez le bouton de sélection de mode du four sur **BROIL** (Cuisson au grill)
2. Tournez le Bouton Température du four sur **LO BROIL** (Cuisson au grill légère) ou **HI BROIL** (Cuisson au grill forte). **LO** ou **HI** apparaîtra sur l'écran.
3. Une fois le mode de grillage et les réglages sélectionnés, pressez le bouton d'affichage du four (**START/OFF**) pour allumer le four.



Bouton d'affichage du four

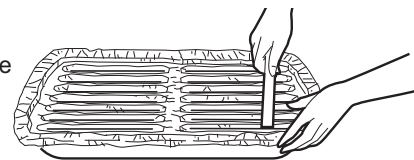
REMARQUE : Lancez la cuisson au grill avec la porte fermée. Si la porte est ouverte, l'écran va afficher « CLOSE DOOR » (fermer la porte) et les éléments s'allumeront jusqu'à ce que la porte soit fermée.

4. Pressez le bouton **START/OFF** pour éteindre (OFF) le four une fois la cuisson au grill terminée.

REMARQUE : La cuisson au grill ne fonctionnera pas si la sonde est branchée. Ne laissez jamais la sonde à l'intérieur du four pendant un programme de cuisson au grill.

Feuille d'aluminium

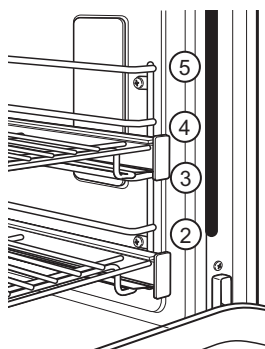
Vous pouvez utiliser une feuille d'aluminium pour aligner la barquette sur la grille de cuisson. Vous devez toutefois mouler la barquette sur la grille et faire des incisions qui épousent les fentes de la grille.



Guide de cuisson au grill

Les positions de grille de cuisson suggérées ne sont fournies qu'à titre indicatif. Procédez à des essais avec ces positions pour des aliments spécifiques et vos préférences personnelles.

La taille, le poids, l'épaisseur, la température de début de cuisson et le degré de cuisson de votre choix auront une incidence sur la durée de cuisson au grill. Ce guide prend des viandes à température de réfrigérateur comme exemples.



REMARQUE : En général, des positions de grilles hautes procurent un grillage externe plus foncé et les positions basses, un degré de cuisson plus élevé.

TYPE D'ALIMENT	RÉGLAGE	POSITIONS DE GRILLE RECOMMANDÉES - FOUR GAUCHE (modèles 48 po seulement)	POSITIONS DE GRILLE RECOMMANDÉES - FOUR OU FOUR DROIT (modèles 48 po seulement)
Hamburgers	HAUT	3 ou 4	4 ou 5
Steaks et côtelettes	HAUT	3 ou 4	4 ou 5
Poisson	BAS	3 ou 4 (1/2 po d'épaisseur ou moins) 2 ou 3 (>1/2 po)	4 ou 5 (1/2 po d'épaisseur ou moins) 3 ou 4 (>1/2 po)
Poitrines, cuisses, pilons de poulet non désossés	BAS	2	2 ou 3
Poitrines de poulet désossées	BAS	2	2 ou 3
Légumes	BAS	2 ou 3	3 ou 4

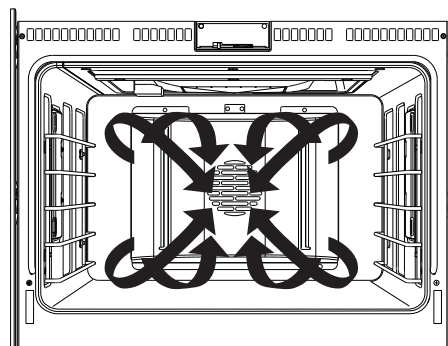
Le ministère américain à l'Agriculture déclare « Le boeuf saignant est populaire, mais vous devriez savoir que si vous réglez sa cuisson sur 140°F, les organismes nocifs pour les aliments risquent de survivre à la cuisson. » Source : Safe Food Book. Your Kitchen Guide. USDA Rev. Juin 1985.)

UTILISATION DE LA CUISINIÈRE

CUISSON PAR CONVECTION

Ce mode utilise une circulation d'air précise pour améliorer l'uniformité de la cuisson, le brunissement des aliments et/ou réduire le temps de cuisson.

REMARQUE : Le ventilateur de convection s'éteint lorsque la porte du four est ouverte.



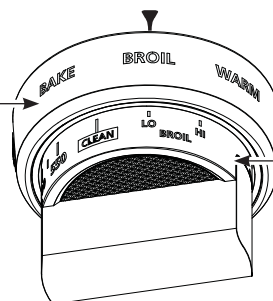
CUISSON PAR CONVECTION (CONV BAKE)

Le mode de cuisson par convection sur plusieurs grilles (Convection Bake Multi Rack) est destiné à une cuisson simultanée sur plusieurs grilles. Ce mode utilise une circulation d'air précise pour améliorer l'uniformité de la cuisson. Votre four est équipé de la fonction de conversion de recette automatique (Auto Recipe Conversion) de sorte qu'il n'est pas nécessaire de régler la température lorsque vous utilisez ce mode. Préchauffez toujours le four lorsque vous utilisez ce mode. Les temps de cuisson peuvent légèrement se prolonger avec plusieurs grilles comparativement à une seule grille.



Bouton d'affichage du four

Bouton de sélection de mode du four (Extérieur)



Bouton température du four (Intérieur)

Comment régler le four pour une cuisson par convection sur plusieurs grilles

1. Tournez le bouton de sélection de mode du four sur **CONV BAKE**.
2. À l'aide du Bouton Température du four, réglez la température désirée par blocs de 25 °F de 175 °F à 550 °F.
3. Une fois le mode de convection et la température sélectionnés, pressez le bouton START/OFF pour allumer le four (ON).

Le four commencera alors à préchauffer. L'affichage de la température commencera à 100°F.

Vous entendrez une tonalité lorsque le four sera préchauffé et les aliments pourront être placés dans le four.

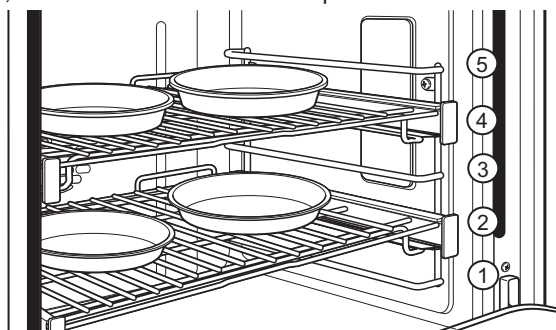
4. Pressez le bouton **START/OFF** pour éteindre (OFF) le four une fois la cuisson par convection terminée.

Utilisez la sonde à température lorsque la température interne est élevée. Voyez la section sur la sonde de température pour plus d'informations.

Pour les meilleurs résultats lorsque vous cuisez un gâteau à 4 étages, placez quatre moules en utilisant les grilles 2 et 4. Les gâteaux doivent être centrés d'avant en arrière sur les deux grilles.

Voyez la section sur les grilles de four pour savoir comment les utiliser, les retirer et les remettre en place.

TYPE D'ALIMENT	POSITIONS DE GRILLE RECOMMANDÉES - FOUR GAUCHE (modèles 48 po seulement)	POSITIONS DE GRILLE RECOMMANDÉES - FOUR OU FOUR DROIT (modèles 48 po seulement)
Gâteaux étagés sur plusieurs grilles	-	2 et 4
Biscuits, petits gâteaux secs, scones, muffins sur plusieurs grilles	2 et 3	2 et 4 1, 3, et 5
Pizzas sur plusieurs grilles	-	2 et 4
Produits à base de pommes de terre, poulet, croquettes, hors-d'œuvre sur plusieurs grilles	2 et 3	2 et 4



Les suggestions de position des grilles sont à titre d'indication seulement. Faites votre propre expérience de ces positions en fonction d'aliments particuliers et de vos préférences.

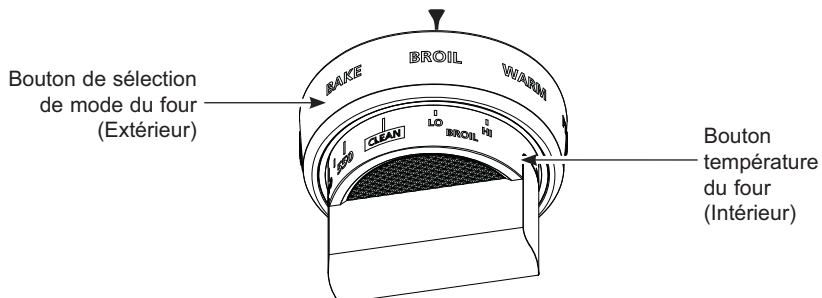
UTILISATION DE LA CUISINIÈRE

RÔTISSAGE PAR CONVECTION

Le mode de rôtissage par convection (CONV ROAST) est conçu pour rôtir les légumes et les pièces de viande entières sur une seule grille. Ce mode utilise une circulation d'air précise pour améliorer le brunissement et réduire le temps de cuisson. Vérifiez les aliments plus tôt que le temps de cuisson suggéré dans les recettes. Le préchauffage n'est pas nécessaire avec ce mode.



Bouton d'affichage du four



Comment régler le four sur la cuisson ou le rôtissage par convection

1. Tournez le bouton de sélection de mode du four sur **CONV ROAST**.
2. Utilisez le Bouton Température du four pour sélectionner la température souhaitée, en incréments de 25°F (4°C), de 175°F (80°C) à 550°F (290°C).
3. Une fois le mode de convection et la température sélectionnés, pressez le bouton START/OFF pour allumer le four (ON).
Le four commencera alors à préchauffer. L'affichage de la température commencera à 100°F.
Vous entendrez une tonalité lorsque le four sera préchauffé et les aliments pourront être placés dans le four.
4. Pressez le bouton **START/OFF** pour éteindre (OFF) le four une fois la cuisson par convection terminée.

Utilisez la sonde à température lorsque la température interne est élevée. Voyez la section sur la sonde de température pour plus d'informations.

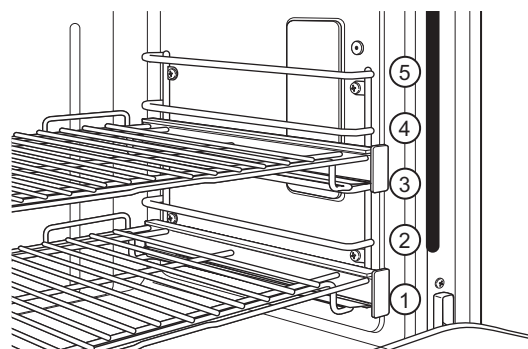
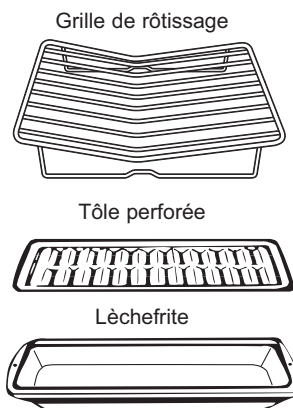
TYPE D'ALIMENT	POSITIONS DE GRILLE RECOMMANDÉES - FOUR GAUCHE (modèles 48 po seulement)	POSITIONS DE GRILLE RECOMMANDÉES - FOUR DROIT (modèles 48 po seulement)
Rôtis	2	2 ou 3
Poulet entier	2	2 ou 3
Dinde entière	-	1 ou 2
Poitrine de dinde	-	2
Produits à base de pommes de terre, poulet, croquettes, hors-d'œuvre sur une seule grille	2	2 ou 3
Légumes	2 ou 3	3

Les suggestions de position des grilles sont à titre d'indication seulement. Faites votre propre expérience de ces positions en fonction d'aliments particuliers et de vos préférences.

Conseils pour rôtissage par convection

Pour les meilleurs résultats, utilisez la lèchefrite, la tôle perforée et la grille de rôtissage pour rôtir les grandes pièces de viande. Utilisez la lèchefrite pour rôtir les légumes. Utilisez la lèchefrite et la tôle perforée pour rôtir les petites pièces de viande.

Pour assembler, placez la viande sur la grille de rôtissage.



UTILISATION DE LA CUISINIÈRE

GRILLAGE PAR CONVECTION

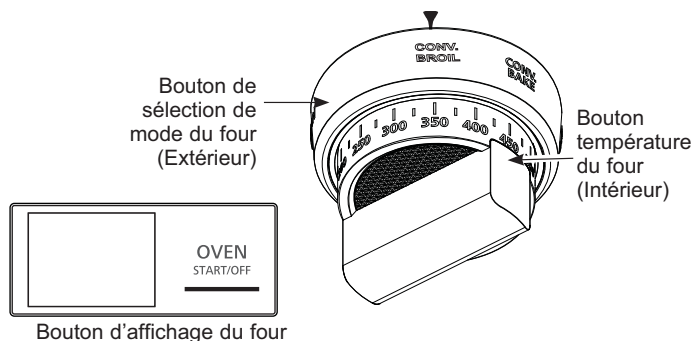
Les modes de grillage par convection (Convection Broil) sont destinés à saisir les aliments et les rendre croustillants. Grillez (Broil) toujours avec la porte du four fermée. Surveillez les aliments étroitement lorsque vous les grillez. Utilisez de prudence lors du grillage sur les positions de grille supérieures car approcher les aliments du brûleur de grillage augmente la fumée, les éclaboussements et la possibilité d'enflammer la graisse.

Commencez par des aliments que vous avez l'habitude de griller. Réglez les positions de grille pour ajuster l'intensité de la chaleur sur l'aliment. Placez l'aliment plus près du brûleur de grillage lorsqu'une surface plus grillée ou un intérieur plus cuit est souhaité. Les aliments plus épais ou ceux qu'il faut bien cuire de part en part doivent griller sur une position de grille plus basse ou à une puissance de grillage moins élevée.

Les modes de grillage par convection utilisent l'élément chauffant du grill accompagné d'un mouvement d'air pour améliorer la saisie et le brunissage. Utilisez le réglage maximal (Convection Broil High) pour les coupes de viandes plus minces et/ou lorsque vous désirez obtenir une surface grillée avec l'intérieur saignant. Utilisez le réglage minimal (Convection Broil Low) pour les coupes de viandes plus épaisses ou les aliments cuits de part en part. Il n'est pas nécessaire de préchauffer lorsque vous utilisez un mode de grillage par convection; cependant, un préchauffage de 5 à 10 minutes est recommandé pour un grillage plus accentué.

Comment régler le four pour le grillage par convection

1. Tournez le bouton de sélection de mode du four sur **CONV BROIL**.
2. Utilisez le Bouton Température du four pour sélectionner la température souhaitée, en incréments de 25°F (4°C), de 175°F (80°C) à 550°F (290°C).
3. Une fois le mode de convection et la température sélectionnés, pressez le bouton **START/OFF** pour allumer le four (ON).
Le four commencera alors à préchauffer. L'affichage de la température commencera à 100°F.



Vous entendrez une tonalité lorsque le four sera préchauffé et les aliments pourront être placés dans le four.

REMARQUE : Lancez la cuisson au grill avec la porte fermée. Si la porte est ouverte, l'écran va afficher « CLOSE DOOR » (fermer la porte) et les éléments s'allumeront jusqu'à ce que la porte soit fermée.

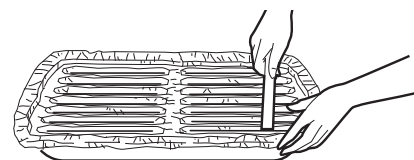
4. Pressez le bouton **START/OFF** pour éteindre (OFF) le four une fois la cuisson par convection terminée.

Voyez la section sur les grilles de four pour savoir comment les utiliser, les retirer et les remettre en place.

REMARQUE : La cuisson au grill ne fonctionnera pas si la sonde est branchée. Ne laissez jamais la sonde à l'intérieur du four pendant un programme de cuisson au grill.

Feuille d'aluminium

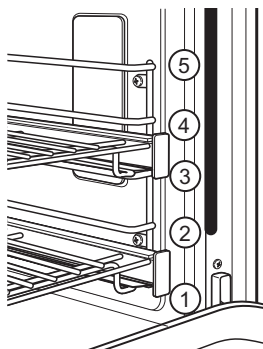
vous pouvez utiliser une feuille d'aluminium pour aligner la barquette sur la grille de cuisson. Vous devez toutefois mouler la barquette sur la grille et faire des incisions qui épousent les fentes de la grille.



Guide de grillage par convection

Les positions de grille de cuisson suggérées ne sont fournies qu'à titre indicatif. Procédez à des essais avec ces positions pour des aliments spécifiques et vos préférences personnelles.

La taille, le poids, l'épaisseur, la température de début de cuisson et le degré de cuisson de votre choix auront une incidence sur la durée de cuisson au grill. Ce guide prend des viandes à température de réfrigérateur comme exemples.



REMARQUE : En général, des positions de grilles hautes procurent un grillage externe plus foncé et les positions basses, un degré de cuisson plus élevé.

TYPE D'ALIMENT	RÉGLAGE	POSITIONS DE GRILLE RECOMMANDÉES - FOUR GAUCHE (modèles 48 po seulement)	POSITIONS DE GRILLE RECOMMANDÉES - FOUR OU FOUR DROIT (modèles 48 po seulement)
Hamburgers	HAUT	3 ou 4	4 ou 5
Steaks et côtelettes	HAUT	3 ou 4	4 ou 5
Poisson	BAS	3 ou 4 (1/2 po d'épaisseur ou moins) 2 ou 3 (>1/2 po)	4 ou 5 (1/2 po d'épaisseur ou moins) 3 ou 4 (>1/2 po)
Poitrines, cuisses, pilons de poulet non désossés	BAS	2	2 ou 3
Poitrines de poulet désossées	BAS	2	2 ou 3
Légumes	BAS	2 ou 3	3 ou 4

Le ministère américain à l'Agriculture déclare « Le boeuf saignant est populaire, mais vous devriez savoir que si vous réglez sa cuisson sur 140°F, les organismes nocifs pour les aliments risquent de survivre à la cuisson. » Source : Safe Food Book. Your Kitchen Guide. USDA Rev. Juin 1985.)

UTILISATION DE LA CUISINIÈRE

TENUE AU CHAUD (WARM)

Le mode de tenue au chaud est destiné à garder les aliments qui viennent d'être cuits au chaud. Recouvrez les aliments qu'il faut maintenir humides sauf ceux que l'on souhaite croustillants. Le préchauffage n'est pas nécessaire. N'utilisez pas ce mode pour réchauffer les aliments froids à l'exception des craquelins, des croustilles et des céréales sèches. On recommande aussi de ne pas garder les aliments au chaud durant plus de 2 heures.

Comment régler le four pour la tenue au chaud

1. Tournez le bouton des modes de cuisson au four à **WARM**. Le mot « WARM » s'affichera.
2. Lorsque vous en avez terminé avec la tenue au chaud, tournez le bouton des modes de cuisson au four à **OFF**.

FERMENTATION (PROOF)

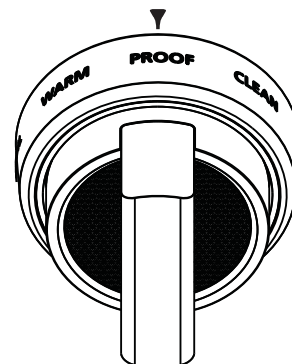
Le mode de fermentation maintient une chaleur suffisante pour faire lever la pâte à la levure. Pour les meilleurs résultats, recouvrez la pâte durant la fermentation et vérifiez tôt afin d'éviter de trop fermenter.

Comment régler le four sur la levée

Utilisez la position de grille 2 ou 3 dans le four (four droit sur modèles 48 po). Utilisez la position de grille 2 dans le four gauche.

1. Tournez le bouton de sélection de mode sur **PROOF**. L'écran affichera le message « PROOF ». Le mode **PROOF (Levée)** ne fonctionnera pas lorsque la température du four est supérieure à 125°F (51°C). Le message « too hot to proof » (trop chaud pour fermenter) défilera sur l'écran. Laissez le four refroidir.

2. Une fois la fermentation terminée, tournez le bouton de sélection de mode sur **OFF**.



ATTENTION N'utilisez pas le mode levée pour réchauffer des plats ou les maintenir au chaud. La température de levée n'est pas suffisamment élevée pour garder les plats au chaud.

CUISSON DE PRÉCISION (Precision Cooking) - Disponible sur SmarHQ

Ces modes procurent une orientation ou des algorithmes de cuisson prédéfinis pour assister l'utilisateur dans la cuisson de divers types d'aliments. La sélection que vous faites dans le menu Precision Cooking vous aidera à entrer les informations qui contribueront à bien cuire vos aliments. À la fin du temps de cuisson estimé, vérifiez les aliments pour voir s'ils sont cuits à votre satisfaction. Notez les différences dans la forme et la préparation des aliments ainsi que vos préférences quant au degré de cuisson de ceux-ci.

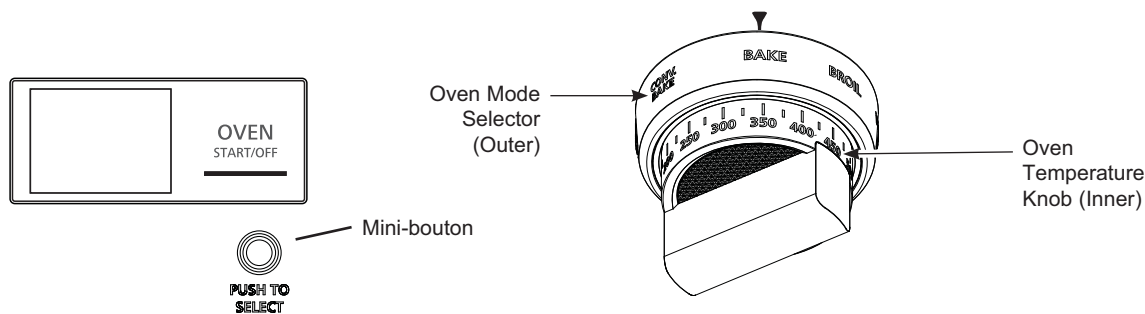
Certains cycles nécessitent l'utilisation de la sonde de température des aliments fournie avec votre four. La température cible de la sonde est basée automatiquement sur les sélections faites pour chaque aliment. Vérifiez toujours la température avec un autre thermomètre pour aliments étant donné que l'insertion de la sonde peut avoir un impact sur la température mesurée. Voyez la section sur la sonde de température pour plus d'informations.

UTILISATION DE LA CUISINIÈRE

SONDE DE TEMPÉRATURE

⚠ AVERTISSEMENT

La consommation d'aliments insuffisamment cuits pose un risque de maladies d'origine alimentaire. Utilisez la sonde selon les instructions suivantes pour faire en sorte que toutes les parties des aliments atteignent les températures sécuritaires de cuisson minimales. On peut trouver des recommandations de températures sécuritaires de cuisson minimales sur les sites foodsafety.gov ou IsItDoneYet.gov.



⚠ ATTENTION

Utilisez des gants pour introduire ou retirer la sonde du four chaud. Les zones autour de l'entrée de la sonde peuvent être brûlantes.

La température interne de l'aliment est fréquemment utilisée comme indicateur de cuisson adéquate, en particulier pour les rôtis et la volaille. La sonde mesure la température interne des aliments et éteint le four lorsque celui-ci atteint la température programmée.

Après la cuisson, vérifiez toujours la température en plusieurs points de l'aliment à l'aide d'un thermomètre pour aliments afin de vous assurer que toutes ses parties ont atteint la température interne minimale sécuritaire pour cet aliment.

Vous pouvez utiliser la sonde avec les modes BAKE, CONV BAKE et CONV ROAST.

Comment régler le four pour la sonde de température

1. Introduisez la pointe de la sonde dans la partie la plus épaisse de la viande.
2. Placez le plateau sur la position souhaitée.
3. Réglez les commandes du four. Tournez le bouton de sélection sur **CONV BAKE (Cuisson par convection)**, **CONV ROAST (Rôtissage par convection)** ou **BAKE (Cuisson)**. Tournez le Bouton Température du four sur la température souhaitée en incréments de 25°F (4°C), de 175°F (80°C) à 550°F (290°C). Faites au besoin préchauffer le four.

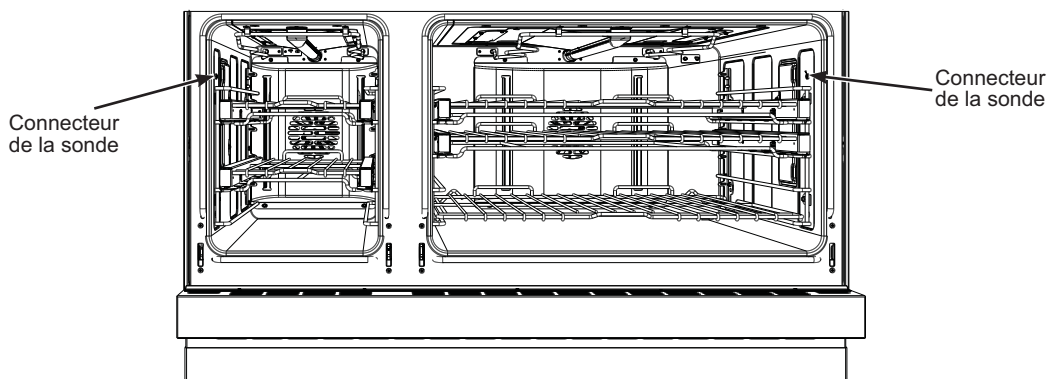
4. Utilisez des poignées pour placer les plats dans le four chaud. Insérez la fiche dans la prise et assurez-vous de l'avoir introduite entièrement. Fermez la porte du four.
5. Tournez le **mini-bouton** pour trouver la température interne désirée pour l'aliment. Pressez le **mini-bouton** pour sélectionner cette température.

Les mots « SET PROBE » (régler la sonde) vont clignoter sur l'écran jusqu'à la sélection de la température. Si aucune température n'est pré-réglée, la sonde fonctionnera sur 100°F (38°C) par défaut.

La température interne des aliments peut être réglée sur un minimum de 100°F (38°C) et jusqu'à un maximum de 200°F (76°C).

6. Lorsque les aliments atteignent la température interne définie, l'écran émettra un bip et le four s'éteindra (OFF). Pour arrêter le bip de rappel, tournez le bouton de sélection de mode et le Bouton Température du four sur OFF. Utilisez les poignées pour retirer la sonde de la prise de sortie du four.

Pour modifier la température interne qui a été réglée à tout moment pendant la cuisson, poussez le mini-bouton et tournez pour régler la température. Pressez le mini-bouton pour sélectionner.

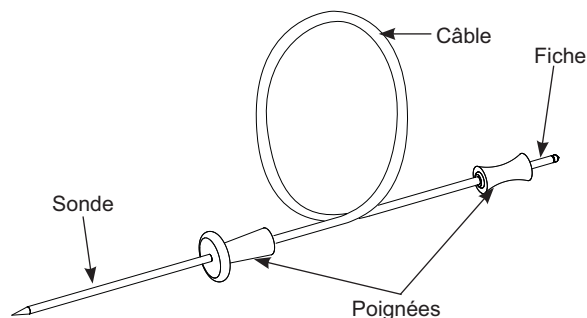


UTILISATION DE LA CUISINIÈRE

SONDE DE TEMPÉRATURE (suite)

Directives concernant l'entretien de la sonde

- L'utilisation de sondes différentes de celle fournie avec ce produit risque d'endommager le connecteur de la sonde.
- Utilisez la poignée de la sonde et de la fiche pour les insérer ou retirer de la viande ou du connecteur.
- Pour éviter d'endommager la sonde, n'utilisez pas de pinces pour tirer sur le cordon lors du retrait.
- Pour éviter d'endommager la sonde, assurez-vous que les aliments sont complètement décongelés avant d'insérer la sonde.
- Afin de prévenir d'éventuelles brûlures, attendez que la sonde s'est refroidie avant de débrancher la sonde du connecteur.
- Ne laissez jamais la sonde à l'intérieur du four durant un cycle de rôtissage ou de nettoyage à la vapeur.
- Ne rangez pas la sonde dans le four.



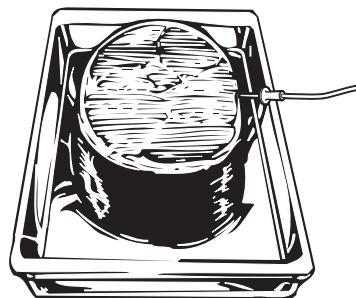
La sonde de température est dotée d'une sonde en forme de brochette sur une extrémité et une prise sur l'autre qui s'introduit dans la prise de sortie du four.

Insertion correcte de la sonde

Une fois la viande préparée et placée sur le récipient de cuisson, suivez les instructions suivantes pour insérer la sonde correctement.

- Insérez la sonde de façon que sa pointe se place dans le centre de la partie la plus épaisse de l'aliment. Pour les meilleurs résultats, la sonde doit être insérée à fond dans l'aliment. Si la sonde n'est pas placée correctement, elle pourrait manquer de mesurer précisément la température de la partie la plus froide de l'aliment. Certains aliments, en particulier de petite taille, ne conviennent pas bien à la cuisson avec sonde en raison de leur forme ou leurs dimensions.
- La sonde ne doit pas toucher à l'os, au gras ou aux nerfs.
- Pour la volaille entière, insérez la sonde dans la partie la plus épaisse de la poitrine.
- Pour les rôtis désossés, insérez la sonde dans le centre de la viande.
- Pour le jambon ou l'agneau non désossés, insérez la sonde dans le centre de l'articulation ou du muscle le plus bas et le plus volumineux.

- Pour les casseroles ou les plats du genre pain de viande, insérez la sonde dans le centre du récipient.
- Pour le poisson, insérez la sonde juste au dessus des branchies dans la partie la plus en chair, parallèlement à l'épine dorsale.



GUIDE DE CUISSON AU FOUR

Cuisez les aliments complètement pour vous prémunir contre les maladies d'origine alimentaire. On peut trouver des recommandations de températures minimales sécuritaires pour la cuisson des aliments sur le site IsItDoneYet.gov. Utilisez un thermomètre pour aliments pour mesurer les températures.

CONSEILS SUR LES RÉCIPIENTS DE CUISSON AU FOUR

La matière, la finition et la taille des récipients ont un effet sur les résultats de la cuisson.

Les casseroles foncées et enrobées absorbent la chaleur plus rapidement que celles qui sont pâles ou luisantes. Les casseroles qui absorbent davantage peuvent produire une croûte plus foncée, croustillante et épaisse. Si vous utilisez des récipients foncés et enrobés, vérifiez les aliments plus tôt que le temps de cuisson minimal. Si des résultats indésirables sont obtenus avec ce type de récipients, envisagez de réduire la température du four de 25 °F la prochaine fois.

Les casseroles luisantes peuvent cuire les aliments plus uniformément, par exemple pour les gâteaux ou les biscuits.

Les casseroles en verre ou en céramique chauffent lentement mais retiennent bien la chaleur. Ces types de casseroles conviennent bien aux tartes et aux crèmes pâtisseries.

Les casseroles isolées à l'air chauffent lentement et peuvent réduire le brunissement du fond.

Gardez les récipients de cuisson propres pour favoriser un chauffage uniforme.

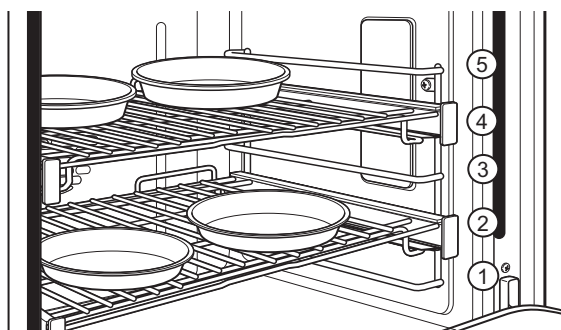
Les récipients en grès chauffent lentement et retiennent bien la chaleur. On recommande de préchauffer ce type de récipient si c'est possible. Un temps de cuisson supplémentaire peut s'avérer nécessaire.

Les récipients utilisés pour les modes de grillage (Broil) doivent convenir à cette méthode de cuisson.

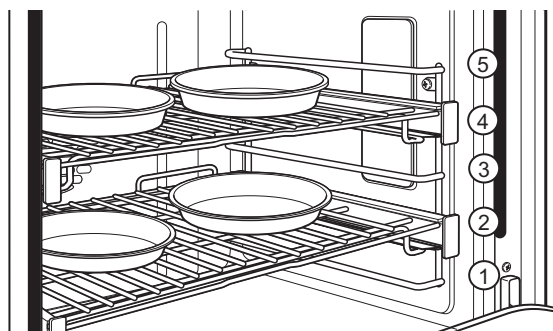
TYPE D'ALIMENT	MODE(S) RECOMMANDÉ(S)	POSITIONS DE GRILLE RECOMMANDÉES - FOUR GAUCHE (modèles 48 po seulement)	POSITIONS DE GRILLE RECOMMANDÉES - FOUR OU FOUR DROIT (modèles 48 po seulement)	SUGGESTIONS SUPPLÉMENTAIRES
Boulangerie				
Gâteaux étagés, gâteaux plaques, gâteaux Bundt, muffins, pains éclairs sur une seule grille	Cuisson au four (Bake)	2	2 or 3	Utiliser des récipients de cuisson brillants
Gâteaux étagés sur plusieurs grilles*	Cuisson au four (Bake) Cuisson par convection - Multi	-	2 and 4	Assurer une bonne circulation d'air (voir illustration ci-dessous).
Gâteaux mousselines (gâteaux des anges)	Cuisson au four (Bake)	1	1	Utiliser des récipients de cuisson brillants
Biscuits, petits gâteaux secs, scones sur une seule grille	Cuisson au four (Bake)	2	2 or 3	Utiliser des récipients de cuisson brillants
Biscuits, petits gâteaux secs, scones sur plusieurs grilles	Cuisson par convection - Multi	2 and 3	2 and 4 1, 3, and 5	Assurer une bonne circulation d'air.
Pains à la levure	Fermentation (Proof)	1 or 2	2 or 3	Recouvrir la pâte lâchement.
	Cuisson au four (Bake)	2	2 or 3	

Suite à la page suivante

*Pour les meilleurs résultats lorsque vous cuisez un gâteau à 4 étages, placez quatre moules en utilisant les grilles 2 et 4. Les gâteaux doivent être centrés d'avant en arrière sur les deux grilles.



Positions de grille pour 4 étages de gâteau à la fois



Position des grilles pour la cuisson par convection 4 couches de gâteau à la fois

GUIDE DE CUISSON AU FOUR

TYPE D'ALIMENT	MODE(S) RECOMMANDÉ(S)	POSITIONS DE GRILLE RECOMMANDÉES - FOUR GAUCHE (modèles 48 po seulement)	POSITIONS DE GRILLE RECOMMANDÉES - FOUR OU FOUR DROIT (modèles 48 po seulement)	SUGGESTIONS SUPPLÉMENTAIRES
Bœuf et porc				
Hamburgers	Grillage maximal (Broil High) Grillage par convection maximal (Convection Broil High)	3 ou 4	4 ou 5	Utiliser une lèchefrite; placer plus bas pour une viande saignante ou moins la saisir. Surveiller les aliments étroitement lors du grillage. Pour un meilleur résultat centrer l'aliment sous l'élément de grillage.
Steaks et côtelettes	Grillage maximal (Broil High) Grillage par convection maximal (Convection Broil High)	3 ou 4	4 ou 5	Utiliser une lèchefrite; placer plus bas pour une viande saignante ou moins la saisir. Surveiller les aliments étroitement lors du grillage. Pour un meilleur résultat centrer l'aliment sous l'élément de grillage.
Rôtis	Cuisson au four (Bake) Rôtissage par convection (Conv Roast)	2	2 ou 3	Utiliser un récipient à côtés bas tel qu'une lèchefrite. Le préchauffage n'est pas nécessaire.
Casseroles	Cuisson au four (Bake)	2 ou 3	2 ou 3	
Poisson	Grillage minimal (Broil Low) Grillage par convection minimal (Convection Broil Low)	3 ou 4 (1/2 po d'épaisseur ou moins) 2 or 3 (>1/2 po)	4 ou 5 (1/2 po d'épaisseur ou moins) 3 or 4 (>1/2 po)	Baisser l'aliment pour moins saisir la viande ou obtenir une cuisson saignante. Surveiller les aliments étroitement lors du grillage. Pour un meilleur résultat centrer l'aliment sous l'élément de grillage.
Aliments prêt-à-servir congelés				
Pizza sur une seule grille	Cuisson au four (Bake)	2	2 ou 3	Ne pas préchauffer.
Pizzas sur plusieurs grilles	Cuisson par convection - Multi	-	2 et 4	Espacer les pizzas de gauche à droite, ne pas les placer directement au-dessus de l'autre.
Produits à base de pommes de terre, poulet, croquettes, hors-d'œuvre sur une seule grille	Cuisson au four (Bake) Rôtissage par convection (Conv Roast)	2	2 ou 3	Ne pas préchauffer. Utiliser des récipients de cuisson foncés pour augmenter le brunissement ou le croustillant; ou des récipients brillants pour moins de brunissement.
Produits à base de pommes de terre, poulet, croquettes, hors-d'œuvre sur plusieurs grilles	Cuisson par convection - Multi	2 et 3	2 et 4	Utiliser des récipients de cuisson foncés pour augmenter le brunissement ou le croustillant; ou des récipients brillants pour moins de brunissement.
Volaille				
Poulet entier	Cuisson au four (Bake) Rôtissage par convection (Conv Roast)	2	2 ou 3	Utiliser un récipient à côtés bas tel qu'une lèchefrite.
Poitrines, cuisses, pilons non désossés	Grillage minimal (Broil Low) Grillage par convection minimal (Convection Broil Low) Cuisson au four (Bake)	2	2 ou 3	Si pané ou enrobé de sauce, éviter les modes à grillage maximal (Broil High). Griller avec le côté peau vers le bas en premier. Surveiller les aliments étroitement lors du grillage. Pour les meilleurs résultats, centrer l'aliment sous l'élément de grillage.
Poitrines de poulet désossées	Grillage minimal (Broil Low) Grillage par convection minimal (Convection Broil Low) Cuisson au four (Bake)	2	2 ou 3	Baisser l'aliment pour moins saisir la viande ou obtenir une cuisson saignante, et le monter pour saisir davantage la viande et augmenter le brunissage lors du grillage. Pour les meilleurs résultats, centrer l'aliment sous l'élément de grillage ou le brûleur.
Dinde entière	Cuisson au four (Bake) Rôtissage par convection (Conv Roast)	-	1 ou 2	Utiliser un récipient à côtés bas tel qu'une lèchefrite.
Poitrine de dinde	Cuisson au four (Bake) Rôtissage par convection (Conv Roast)	-	2	Utiliser un récipient à côtés bas tel qu'une lèchefrite.
Légumes	Cuisson au four (Bake) Rôtissage par convection (Conv Roast) Grillage minimal (Broil Low) Grillage par convection minimal (Convection Broil Low)	2 ou 3	3	Utiliser des récipients de cuisson foncés pour augmenter le brunissement ou le croustillant; ou des récipients brillants pour moins de brunissement.

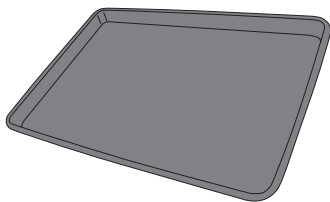
Cuisez les aliments complètement pour vous prémunir contre les maladies d'origine alimentaire. On peut trouver des recommandations de températures minimales sécuritaires pour la cuisson des aliments sur le site IsItDoneYet.gov. Assurez-vous d'utiliser un thermomètre pour aliments pour mesurer les températures.

GUIDE DE CUISSON POUR LA FRITURE À AIR CHAUD (disponible sur SmartHQ)

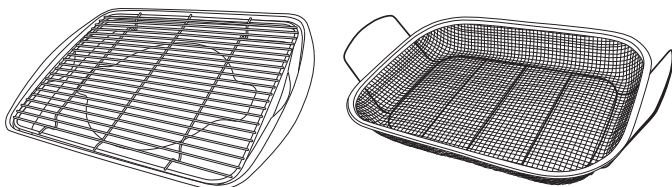
La friture à air chaud (Air Fry) est un mode de cuisson spécial, sans préchauffage, conçu donner aux aliments un surface extérieure plus croustillante que la cuisson au four régulière. Sélectionnez **Air Fry**, puis réglez la température désirée et pressez **Start**. Vous pouvez régler la température entre 300°F et 500°F. .

Conseils pour les récipients de friture à air chaud

- Utilisez seulement des récipients qui supportent la cuisson sous l'élément de grillage (Broil).
- Une plaque à pâtisserie foncée est recommandée. Une plaque foncée améliore le brunissement et la croustillance de l'aliment.
- Vous pouvez aussi utiliser des paniers et des grilles de cuisson au four. Une plaque à pâtisserie doit être placée sur la grille en dessous des aliments pour recueillir les égouttements si vous utilisez un panier de cuisson.



Récipient principal recommandé



Autres choix de récipients de cuisson

Conseils généraux pour le mode de friture à air chaud (Air Fry)

- Le mode Air Fry est conçu pour la cuisson sur une seule grille.
- Le mode Air Fry est conçu pour une cuisson sans préchauffage.
- Les aliments peuvent cuire plus rapidement que prévu si le four est déjà chaud au moment de les placer.
- Pour frire à l'air chaud des aliments avec sauce, on recommande d'ajouter celle-ci à la fin de la cuisson.
- Si les aliments brunissent trop rapidement, placez-les à une position de grille inférieure ou réduisez la température du four.
- Pour les aliments emballés, suivez les instructions de cuisson au four traditionnelle pour régler la température et déterminer le temps de cuisson.
- Il n'est pas nécessaire de retourner ou brasser les aliments pendant la cuisson.
- Disposez les aliments en une seule couche sur la plaque sans surcharger celle-ci.
- Vérifiez toujours la température interne des aliments pour confirmer que la température minimale sécuritaire a été atteinte. On peut trouver des recommandations de températures minimales sécuritaires pour la cuisson des aliments sur le site IsItDoneYet.gov.

TYPE D'ALIMENT	POSITION(S) DE GRILLE RECOMMANDÉE(S)	TEMPÉRATURE RECOMMANDÉE (°F)	TEMPS DE CUISSON RECOMMANDÉ (MIN)	REMARQUES
Pièces de poisson ou de volaille fraîches désossées, pannées telles que croquettes, filets	2 ou 3 (utiliser la position de grille 2 pour les aliments plus épais)	375-400	15-30	Réduire la température pour les grandes pièces. Utiliser des récipients de cuisson luisants.
Ailes de poulet fraîches non désossées	2 ou 3 (utiliser la position de grille 2 pour les aliments plus épais)	375-400	25-40	Saler les ailes ou enrober d'épices à frotter, si l'on utilise une sauce la verser vers la fin de la cuisson ou après.
Pilons ou cuisses de poulet frais non désossés	2 ou 3 (utiliser la position de grille 2 pour les aliments plus épais)	375-400	30-55	Réduire la température pour les grandes pièces.
Frites fraîches, minces (<1/2 po)	2 ou 3 (utiliser la position de grille 2 pour les aliments plus épais)2 for Left Oven (48" Range only)	400-425	15-30	Le papier sulfurisé (parchemin) est recommandé pour préparer des frites fraîches. Pour des frites plus croustillantes, les brasser dans l'amidon de maïs ou la farine de riz avant la cuisson.
Frites fraîches, minces (>1/2 po)	2 ou 3 (utiliser la position de grille 2 pour les aliments plus épais)	375-400	20-35	Le papier sulfurisé (parchemin) est recommandé pour préparer des frites fraîches. Pour des frites plus croustillantes, les brasser dans l'amidon de maïs ou la farine de riz avant la cuisson.
Aliments emballés, congelés	2 ou 3 (utiliser la position de grille 2 pour les aliments plus épais)	Suivez les instructions de cuisson au four traditionnelle (et non celles pour Air Fry) pour vous guider dans le réglage de la température et du temps de cuisson. Un temps de cuisson plus long que celui recommandé sur l'emballage peut être nécessaire pour certains aliments. Si le four est chaud au démarrage, l'aliment peut cuire en moins de temps que le minimum indiqué sur l'emballage.		

ENTRETIEN ET NETTOYAGE

Assurez-vous que l'alimentation électrique est coupée (OFF) et que toutes les surfaces sont refroidies avant de nettoyer une partie quelconque de la cuisinière.

PANNEAU DE COMMANDE ET BOUTONS

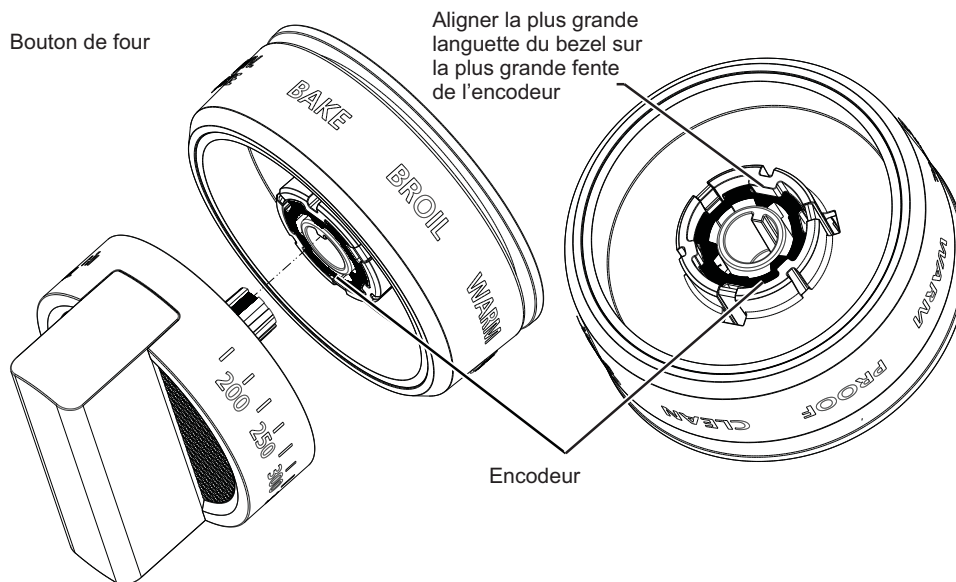
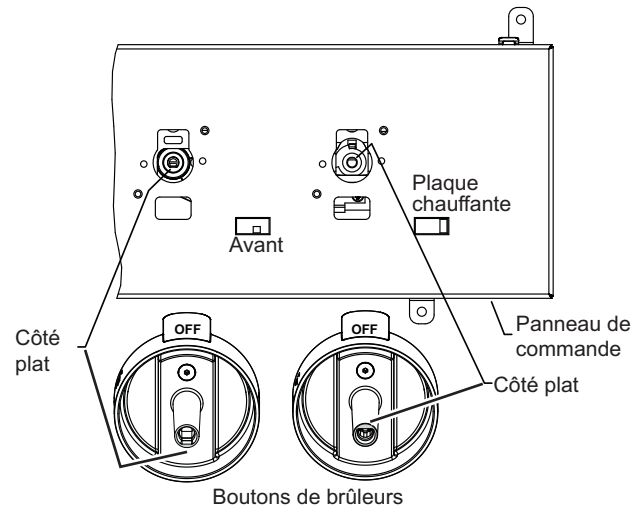
Il est préférable d'essuyer le panneau de commande après chaque utilisation. Nettoyez-le avec du savon doux et de l'eau, ou du vinaigre et de l'eau, rincez à l'eau claire et séchez en polissant avec un linge doux. N'utilisez pas des nettoyants abrasifs, des nettoyants liquides corrosifs, des tampons à récurer en plastique ni des nettoyants pour le four sur votre panneau de commande car ils endommageront son fini.

Pour faciliter le nettoyage et à condition qu'ils soient à la position d'arrêt (OFF), vous pouvez retirer les boutons de commande en les tirant directement vers l'extérieur. Ne tirez pas les boutons vers le haut ou le bas, et ne suspendez d'objets sur eux. Cela pourrait endommager l'arbre de la soupape de gaz. Voyez la section Brûleurs de surface pour une vue détaillée de ces boutons. Vous pouvez laver les boutons à la main avec de l'eau savonneuse.

Mémorisez la position des boutons du four et des brûleurs lorsque vous les retirez. Les boutons ne sont pas interchangeables, il faut les placer à la même position après le nettoyage. Voyez les sections sur les brûleurs de surface et les commandes du four pour une vue détaillée de ces boutons. Pour remettre les boutons en place après le nettoyage, alignez le bas du bouton selon la figure ci-dessous. Poussez le bouton jusqu'à ce qu'il soit bien en place.

Utilisez un linge doux non abrasif pour nettoyer l'intérieur du bezel. Ne retirez pas le film du diffuseur. Ne l'exposez pas au risque d'endommager l'électronique de l'éclairage.

REMARQUE : Le mini-bouton n'est pas amovible.

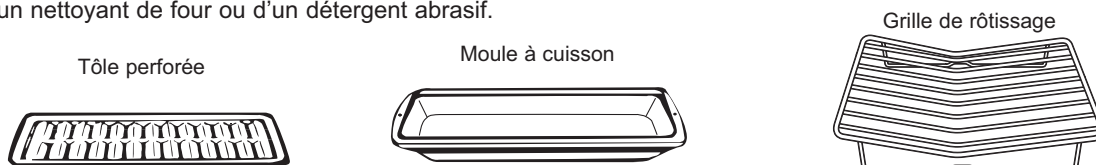


LÈCHEFRITE, TÔLE PERFORÉE ET GRILLE DE RÔTISSAGE

ATTENTION Ne nettoyez pas la lèchefrite, la tôle perforée ni la grille de rôtissage dans un four à autonettoyage.

Le moule à cuisson, la grille et la grille de rôtissage sont lavables au lave-vaisselle. Toutefois, les plats cuits doivent être lavés à la main à l'aide d'un nettoyant de four ou d'un détergent abrasif.

Ne rangez pas moule à cuisson ou de grille sale dans le four. Éliminez toujours tout excès de graisse.



ENTRETIEN ET NETTOYAGE

EXTÉRIEUR DU FOUR

N'utilisez pas des nettoyants pour le four, des nettoyants abrasifs, des nettoyants liquides corrosifs, de la laine d'acier, des tampons à récurer ou des poudres de nettoyage sur l'intérieur ou l'extérieur du four. Nettoyez avec du savon doux et de l'eau, ou une solution d'eau et de vinaigre. Rincez à l'eau claire et séchez avec un linge doux. Assurez-vous que les surfaces sont à température ambiante et à l'écart des rayons directs du soleil lorsque vous les nettoyez.

Si une tache persiste sur la garniture de l'évent de la porte, utilisez un nettoyant abrasif doux et une éponge à récurer pour de meilleurs résultats. Les renversements de marinades, de jus de fruits, de sauce tomate et de liquides d'arrosage contenant des acides peuvent causer de la décoloration et doivent être essuyés immédiatement. Laissez refroidir les surfaces chaudes, puis nettoyez et rincez.

Surfaces peintes

Les surfaces peintes peuvent comprendre la porte et les garnitures autour du panneau de commande. Nettoyez-les avec de l'eau savonneuse ou une solution d'eau et de vinaigre.

INTÉRIEUR DU FOUR

L'intérieur de votre nouveau four doit être nettoyé manuellement ou par le mode de nettoyage à la vapeur (Steam Clean). Les renversements de marinades, de jus de fruits, de sauce tomate et de liquides d'arrosage contenant des acides peuvent causer de la décoloration et doivent être essuyés immédiatement. Laissez refroidir les surfaces chaudes, puis nettoyez et rincez.

Nettoyage manuel

N'utilisez pas des nettoyants pour le four (sauf si certifié pour four à autonettoyage) des nettoyants liquides corrosifs, de la laine d'acier ni des tampons à récurer sur l'intérieur du four. Nettoyez avec de l'eau savonneuse ou une solution d'eau et de vinaigre. Rincez à l'eau claire et séchez avec un linge doux. Assurez-vous que les surfaces sont à température ambiante lorsque vous les nettoyez.

NETTOYAGE À LA VAPEUR DU FOUR

Pour utiliser la fonction Steam Clean :

1. Tournez le bouton de sélection de mode sur **CLEAN (Nettoyage)**.
2. Tournez le Bouton Température du four sur **CLEAN (Nettoyage)**.
3. Pressez le **mini-bouton** pour sélectionner Steam Clean (nettoyage à la vapeur).
La commande règle automatiquement la durée du cycle de nettoyage à la vapeur recommandée.
4. Pressez sur le bouton **START/OFF** pour démarrer le cycle de nettoyage à la vapeur (STEAM CLEAN).
Vous verrez les mots « CLOSE door » (fermer la porte) sur l'écran si vous avez sélectionné le cycle de nettoyage à la vapeur sans fermer la porte. Fermez la porte du four.
5. Une fois le cycle de nettoyage à la vapeur terminé, tournez le bouton des modes du four et le Bouton Température du four à OFF (arrêt).
Pour interrompre un cycle de nettoyage, pressez **START/OFF**.

N'utilisez pas des nettoyants pour four du commerce, des nettoyants en poudre, de la laine d'acier ou des abrasifs durs sur une surface peinte.

Acier inoxydable

N'utilisez pas de tampon à récurer en acier car ils rayeront la surface. Pour nettoyer la surface en acier inoxydable, utilisez une eau tiède savonneuse ou un nettoyant ou poli pour acier inoxydable. Frottez toujours la surface dans la direction du grain. Suivez les instructions du fabricant du nettoyant pour acier inoxydable. Les nettoyants qui contiennent de l'acide oxalique tels que Bar Keepers Friend Soft Cleanser™ vont éliminer la rouille, le ternissement et les petites taches. Utilisez uniquement un nettoyant liquide exempt d'abrasif et frottez dans la direction des lignes de brosse à l'aide d'une éponge douce et humide. Pour vous renseigner sur l'achat de produits de nettoyage y compris ceux pour électroménagers en acier inoxydable, voyez la section Soutien au consommateur pour plus d'informations.

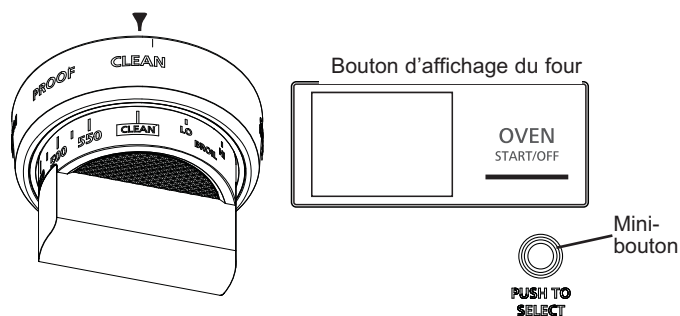
Mode de nettoyage à la vapeur (Steam Clean)

La fonction Steam Clean (nettoyage à la vapeur) sert à nettoyer les salissures légères de votre four à des températures plus basses que celles de l'autonettoyage (Self Clean).

Pour utiliser la fonction Steam Clean :

1. Commencez par le four à température ambiante.
2. Essuyez la graisse et les salissures excédentaires du four.
3. Versez une tasse d'eau dans le fond du four.
4. Fermez la porte.

N'ouvrez pas la porte durant les 30 minutes du cycle Steam Clean. À la fin du cycle Steam Clean, absorbez l'eau résiduelle et essuyez la saleté des parois et de la porte du four qui a été ramollie par la vapeur.



ENTRETIEN ET NETTOYAGE

FOUR AUTONETTOYANT

Sécurité

La fonction d'autonettoyage du four a été conçue pour faciliter le nettoyage de l'intérieur du four en utilisant des températures très élevées pour brûler les résidus de nourriture.

⚠ AVERTISSEMENT

Essuyez l'excès de graisse et les autres résidus d'aliments à l'aide d'un chiffon humide. Les résidus de nourriture risquent prendre feu, au risque de provoquer des dommages liés à la fumée et à la chaleur.

- Ne nettoyez pas les joints du four au risque de provoquer des dommages.
- Retirez les ustensiles, la lèchefrite, la grille, la sonde et toute feuille d'aluminium du four.
- Assurez-vous que la lentille de la lumière du four et le cadre de la lentille soient bien à leur place.
- N'utilisez pas de nettoyeurs pour four, d'abrasifs ou de protecteurs à proximité ou dans le four en cours de nettoyage.
- Nous recommandons d'aérer votre cuisine en ouvrant une fenêtre ou via une hotte de ventilation ou un ventilateur pendant le nettoyage.
- Nettoyez les résidus du cadre et autour de la porte du four, à l'extérieur des joints du four. Ces zones doivent être nettoyées à la main.
- Les plateaux du four doivent être laissés à l'intérieur pendant le nettoyage.



IMPORTANT : Certains oiseaux sont très sensibles aux émanations résultant du cycle de nettoyage automatique d'un four. Installez les oiseaux dans une autre pièce parfaitement ventilée.


REMARQUE : Durant le cycle d'autonettoyage, la plaque de cuisson sera verrouillée et non fonctionnelle. Si un brûleur de surface est allumé après le début du cycle d'autonettoyage, l'avertissement "err turn surf frnr off" sera affiché sur l'écran du four et un bip se fera entendre.

REMARQUE : Le nettoyage automatique ne fonctionnera pas si la sonde de température est insérée.

Sur les modèles à four double, vous ne pouvez pas activer des modes d'autonettoyage (Self Clean) dans les deux fours en même temps. Vous ne pouvez pas non plus activer une fonction de cuisinière lorsqu'un four est en mode d'autonettoyage. Le four qui n'est pas en autonettoyage ne pourra pas activer un autre mode de four. Si le brûleur de la table de cuisson est allumé, un message à l'écran demandera à l'utilisateur d'éteindre le brûleur ou l'autonettoyage sera automatiquement annulé.

Comment régler le four sur le nettoyage

1. Éteignez tous les brûleurs de surface. (Le cycle **CLEAN (Nettoyage)** ne démarrera que lorsque tous les brûleurs de surface auront été éteints.)
2. Tournez le bouton de sélection de mode sur **CLEAN (Nettoyage)**.
3. Tournez le Bouton Température du four sur **CLEAN**.
4. Poussez et tournez le mini-bouton pour sélectionner Self-Clean (autonettoyage).
La commande est réglée automatiquement sur la durée de nettoyage recommandée (5 heures). La durée de nettoyage peut être ajustée sur 3 à 5 heures à l'aide du bouton de sélection. L'écran affichera le temps restant.
5. Poussez le bouton d'affichage du four (START/OFF) pour démarrer le cycle SELF CLEAN (autonettoyage).
Si « CLOSE DOOR » s'affiche sur l'écran, le programme de nettoyage automatique a été sélectionné mais la porte du four n'est pas fermée. Fermez-la.
Le symbole  clignotera lorsque la porte du four est bloquée. Il ne sera pas possible d'ouvrir la porte pendant le nettoyage.
6. Une fois le programme de nettoyage terminé et le four refroidi, le  s'éteindra. Pressez le bouton START/OFF.

Pour interrompre un cycle d'autonettoyage, pressez le bouton START/OFF. Lorsque le four a suffisamment refroidi pour ne plus présenter de risque, le symbole  s'éteindra indiquant que la porte est peut-être ouverte.

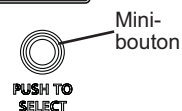
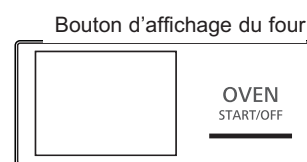
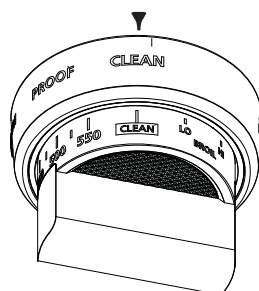
Un programme interrompu ne peut pas être redémarré avant que le four ne soit suffisamment froid de sorte que la porte se débloque.

Après un cycle d'autonettoyage

Vous remarquerez la présence de cendre blanche à l'intérieur du four. Essuyez-la à l'aide d'un chiffon humide après refroidissement du four.

Si les traces blanches persistent, retirez-les à l'eau chaude savonneuse et rincez-les avec un mélange de vinaigre et d'eau. Ces dépôts sont en général des restes de sel que le programme de nettoyage automatique ne peut éliminer.

Si le four est encore sale après un programme, répétez le programme.

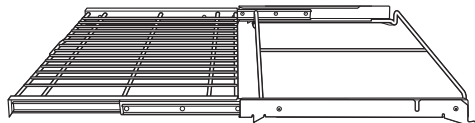


ENTRETIEN ET NETTOYAGE

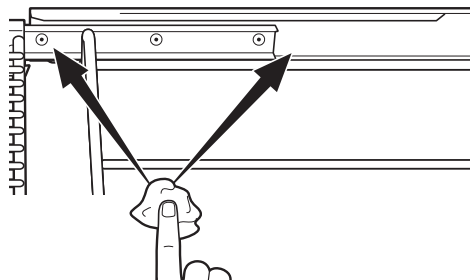
GRILLES DE FOUR

Périodiquement, les grilles du four devront être lubrifiées à l'aide du lubrifiant au graphite livré avec votre cuisinière. Pour commander une graisse Graphite supplémentaire, appelez notre centre de pièces au 800.561.3344 et mentionnez la référence WB02T10303.

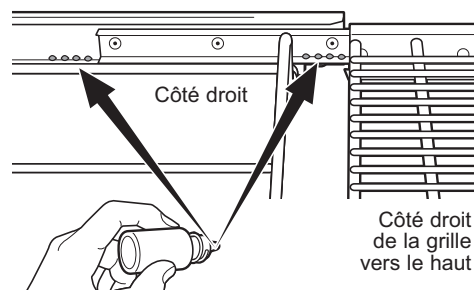
1. Retirez la grille du four. Voir la section Grilles de four extensibles.
2. Dépliez totalement la grille sur la table ou le plan de travail. Nous vous recommandons de placer du papier journal sous la grille pour faciliter le nettoyage.



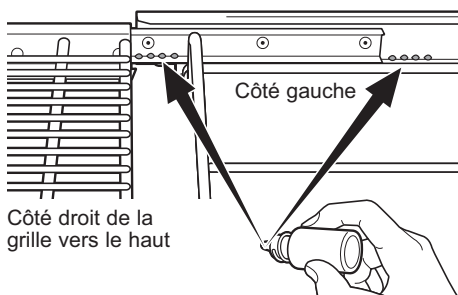
3. Si vous constatez la présence de résidus sur les barres coulissantes, éliminez-les à l'aide d'une serviette en papier. **REMARQUE** : Tout lubrifiant graphite essuyé doit être réappliqué.



4. Secouez le lubrifiant graphite avant de l'ouvrir. En commençant par le mécanisme coulissant gauche de la grille, appliquez quatre (4) gouttelettes de lubrifiant sur les deux (2) chenilles du mécanisme coulissant à proximité des porte-roulements.



5. Faites de même pour le mécanisme coulissant droit.



6. Ouvrez et fermez la grille plusieurs fois pour étaler le lubrifiant.
7. Remplacez le bouchon du lubrifiant et secouez-le à nouveau. Retournez la grille et répétez les étapes 3, 4, 5 et 6.
8. Fermez la grille, placez la grille avec le côté droit à la verticale et introduisez-la dans le four. Voir la section Grilles de cuisson extensibles.
9. Répétez les étapes ci-dessus pour chaque grille.

REMARQUE : N'utilisez pas pulvérisateur pour huiles de cuisson ou tout autre aérosol de lubrifiant sur les glissières.

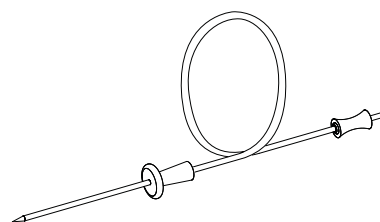
SONDE DE TEMPÉRATURE

Laissez la sonde de température refroidir avant de procéder au nettoyage.

Il est recommandé de nettoyer la sonde au savon et à l'eau à la main.

Ne plongez pas la sonde de température dans l'eau.

Ne rangez pas la sonde de température dans le four.



BAS DU FOUR

Le bas du four est doté d'un fini en porcelaine émaillée. Pour faciliter le nettoyage, protégez le bas du four contre les débordements excessifs. Vous pouvez utiliser une feuille ou une plaque en aluminium pour recueillir les débordements en la plaçant sur la grille en dessous de celle sur laquelle vous cuisez. Cela est particulièrement important lorsque vous cuisez une tarte aux fruits ou d'autres aliments très acides. Les garnitures de fruits ou d'autres aliments très acides (tels que tomates, choucroute et sauces avec vinaigre ou jus de citron) peuvent causer une corrosion par piquage qui endommage la surface en porcelaine, et ces débordements doivent être nettoyés immédiatement.

Ne recouvrez jamais complètement une grille avec du papier aluminium. Cela va gêner la circulation de la chaleur et produira une cuisson médiocre.

Pour nettoyer les débordements, utilisez de l'eau savonneuse, un nettoyant abrasif ou un tampon à récurer rempli de savon. Rincez bien pour retirer le savon avant l'autonettoyage.

ENTRETIEN ET NETTOYAGE

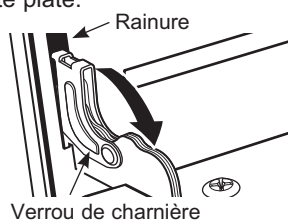
PORTE DE FOUR AMOVIBLE À FERMETURE SOUPLE

La porte est très lourde. Retirez-la et soulevez-la avec précaution.

Ne la soulevez pas par la poignée.

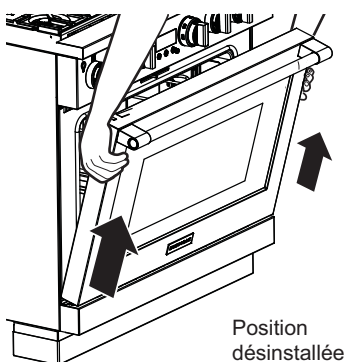
Pour retirer la porte :

1. Ouvrez la porte complètement.
2. Appuyez sur les butées de charnière vers le cadre de la porte, sur la position déverrouillée. Il vous faudra peut-être un tournevis à tête plate.



Rabattez les verrous pour débloquer

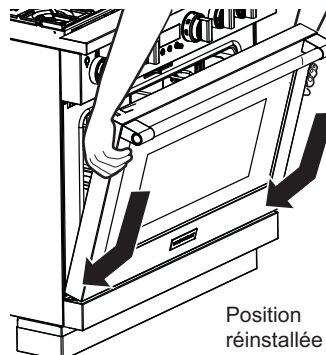
3. Saisissez fermement les deux extrémités de la porte sur la partie supérieure.



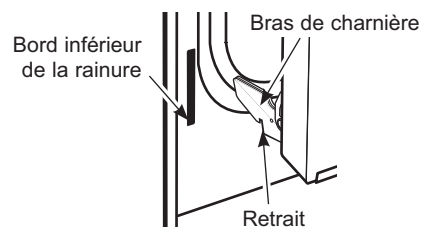
4. Fermez la porte sur la position de désinstallation de porte, (15 degrés environ par rapport à la position fermée) et soulevez-la jusqu'à ce que le bras de la charnière sorte de la rainure.

Pour réinstaller la porte :

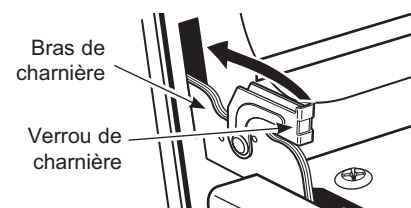
1. Saisissez fermement les deux extrémités de la porte sur la partie supérieure.



2. Avec la porte sur le même angle que la position désinstallée, positionnez le retrait du bras de charnière dans le bord inférieur de la rainure de charnière. L'entaille sur le bras de charnière doit être entièrement positionnée dans le bas de la rainure.



3. Ouvrez la porte en grand. Si la porte ne s'ouvre pas complètement, le retrait n'est pas correctement positionné dans le bord inférieur de la rainure.



4. Enfoncez les butées de charnière contre le cadre avant de la cavité du four, sur la position verrouillée.
5. Fermez la porte du four.

NETTOYAGE DE LA PORTE DU FOUR

Nettoyage de l'intérieur de la porte

Ne laissez pas l'eau excédentaire pénétrer dans les trous ou les fentes de la porte.

Avec du savon à vaisselle, essuyez toute éclaboussure sur le verre. Utilisez une lame à rasoir sécuritaire à un seul côté coupant pour les éliminer. Essuyez ensuite le verre à l'aide d'un linge savonneux pour retirer tout résidu puis séchez bien.

Vous pouvez nettoyer la zone à l'extérieur du joint d'étanchéité à l'aide d'un tampon à récurer en plastique rempli de savon. Ne frottez pas et ne nettoyez pas le joint d'étanchéité de la porte car il offre une très faible résistance à l'abrasion.

Vous devez remplacer le joint d'étanchéité si vous observez qu'il est usé, effiloché ou autrement endommagé.

Nettoyage de l'extérieur de la porte

Si une tache persiste sur la garniture de l'évent de la porte, utilisez un nettoyant abrasif doux et une éponge à récurer pour de meilleurs résultats. N'utilisez pas cette méthode sur une quelconque autre surface.

Surfaces en acier inoxydable (certains modèles)

N'utilisez pas de tampon à récurer en acier car ils rayeront la surface. Pour nettoyer la surface en acier inoxydable, utilisez une eau tiède savonneuse ou un nettoyant ou poli pour acier inoxydable. Frottez toujours la surface dans la direction du grain. Suivez les instructions du fabricant du nettoyant pour acier inoxydable. Pour vous renseigner sur l'achat de produits de nettoyage y compris ceux pour électroménagers en acier inoxydable, voyez la section Soutien au consommateur pour plus d'informations.

ENTRETIEN ET NETTOYAGE

LAMPES DU FOUR

⚠ AVERTISSEMENT RISQUE DE DÉCHARGE

ÉLECTRIQUE OU DE BRÛLURE : Avant de remplacer l'ampoule de la lampe du four, coupez l'alimentation électrique de la cuisinière au fusible principal ou au panneau des disjoncteurs. L'omission de prendre cette précaution peut occasionner une décharge électrique ou une brûlure.

⚠ ATTENTION RISQUE DE BRÛLURE :

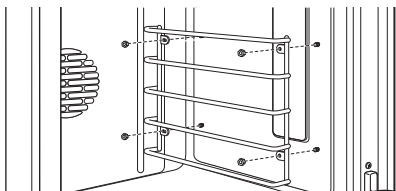
Attendez que le couvercle de verre et l'ampoule soient refroidis avant de les retirer. Toucher du verre chaud avec les mains nues ou un linge humide peut causer des brûlures.

Chaque four est équipé de colonnes lumineuses halogènes situées sur les parois latérales du four. Les lampes s'allument lorsque la porte est ouverte ou si le four est en mode cuisson. Chaque lumière se compose d'un couvercle de lampe amovible avec deux clips de fixation et d'un compartiment lumineux de trois ampoules halogènes.

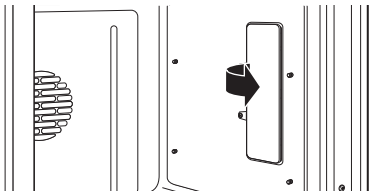
Veillez à laisser l'ampoule et le couvercle refroidir complètement. Pour votre sécurité, ne touchez pas une ampoule brûlante avec vos mains ou un chiffon doux.

Pour retirer :

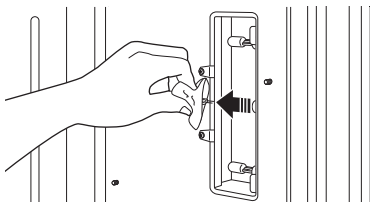
1. Retirez les grilles du four. Voir la section Grilles de four extensibles.
2. A l'aide d'un tournevis à douille 7/16 po, retirez les quatre écrous qui fixent les supports de la grille à la paroi du four.



3. Retirez la protection de verre de la lampe en sortant son extrémité arrière et en l'enroulant vers vous. Ne retirez pas les vis.



4. A l'aide de gants ou d'un chiffon doux, retirez l'ampoule grillée en tirant dessus.



Pour procéder au remplacement :

Utilisez une ampoule halogène 120 V neuve, avec des broches G8, non supérieure à 40 watts.

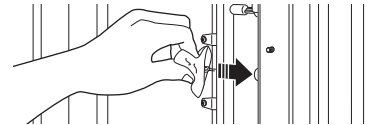


Vous pouvez commander des ampoules de rechange par téléphone au 800.561.3344. Numéro de pièce pour la commande WB25X39610.

REMARQUE : Les ampoules de puissance supérieure endommageront votre four.

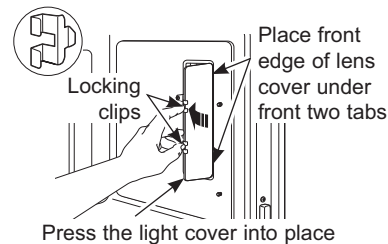
A l'aide de gants ou d'un chiffon doux, retirez l'ampoule de son emballage. **Ne touchez pas l'ampoule avec vos mains.** L'huile émanant de la peau de vos mains risque de laisser des traces sur la surface en verre et provoquer la défaillance prématurée de l'ampoule. Si vous touchez le verre, nettoyez-le à l'alcool avant installation.

1. Insérer l'ampoule au fond de la douille.



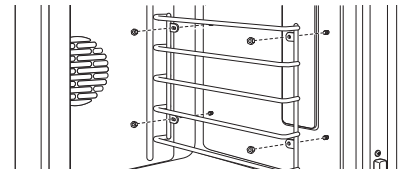
2. Replacez la protection de lampe, en plaçant son extrémité avant sous les deux languettes avant dans le compartiment à lampe. Enroulez l'extrémité arrière en veillant à ce qu'elle soit correctement insérée.

REMARQUE : Si les clips de fixation se détachent de la protection de la lentille de verre, maintenez-les sur la protection dans la bonne position, tout en replaçant la protection sur le compartiment.



La protection de lampe doit être installée lorsque vous utilisez le four.

3. Réinstallez le support de la grille. Veillez à l'orienter de sorte que les languettes supérieures des écrous soient le plus proches possible du dessus du four. Fixez à l'aide des quatre écrous dévissés récemment, mais ne serrez pas trop ou vous risqueriez de briser l'émail.



4. Replacez les grilles. Voir la section Grilles de four extensibles.
5. Remettez le four sous tension.

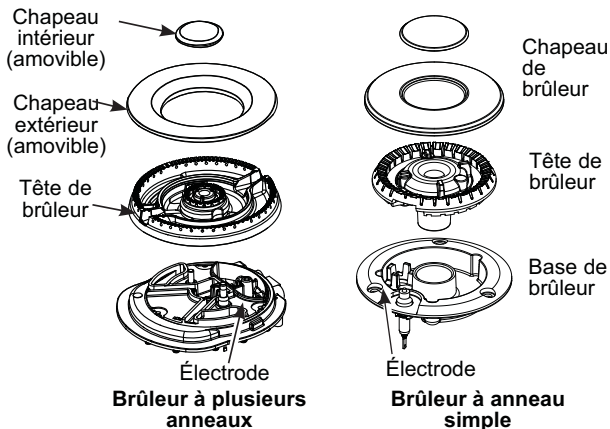
ENTRETIEN ET NETTOYAGE

BRÛLEUR À DOUBLE FLAMMES SUPERPOSÉES ET BRÛLEUR À PLUSIEURS ANNEAUX

ATTENTION N'UTILISEZ PAS LE BRÛLEUR SI TOUS LES COMPOSANTS DU BRÛLEUR NE SONT PAS INSTALLÉS.

Les brûleurs de surface doivent être nettoyés régulièrement, en particulier après des renversements importants qui peuvent obstruer les fentes et les trous des têtes de brûleur.

L'électrode est situé à l'arrière de chaque brûleur. Ne tentez pas de démonter un brûleur ou de nettoyer autour de celui-ci pendant qu'un autre brûleur est allumé. Cela poserait un risque de choc électrique.



Pour retirer les composants du brûleur :

1. Tournez les commandes sur **OFF** avant de démonter les composants du brûleur.
2. Une fois froid, vous pouvez soulever les grilles du brûleur, les chapeaux et les têtes pour faciliter le nettoyage. **Ne retirez pas les bases.**

REMARQUE : Assurez-vous de replacer les brûleurs dans la même position et orientation.

Nettoyage des chapeaux de brûleur

Les chapeaux de brûleur Monogram sont fabriqués de laiton à 100 %, de sorte que vous pouvez tirer avantage des propriétés thermiques naturelles de ce matériau de qualité supérieure afin d'améliorer votre expérience de cuisson.

Le laiton véritable est doté d'une patine naturelle qui augmente avec le temps à mesure qu'elle est exposée à la chaleur et à l'atmosphère. Cette patine et la teinte de laiton plus profonde qui sont formées protègent les brûleurs contre la corrosion. Ce processus d'oxydation est inévitable et fait en sorte que vos brûleurs en laiton peuvent supporter les plus hautes températures.

Pour nettoyer la graisse cuite sur les chapeaux ou restaurer le magnifique aspect du laiton, trempez les chapeaux dans une solution de 1 tasse d'eau et 1 cuillère à table de vinaigre blanc durant 18 heures, ou 1 tasse d'eau et 1/3 de tasse de vinaigre blanc durant 1 heure. Essuyez avec un chiffon doux. Ne nettoyez pas les chapeaux avec une brosse métallique car vous pourriez endommager le laiton.

Si vous n'aimez pas l'apparence des chapeaux en laiton, vous pouvez retirer la garniture en laiton sur le brûleur à double flammes et le remplacer par un chapeau en émail noir pour brûleur à plusieurs anneaux, inclus avec votre produit.

Nettoyage des têtes de brûleur

Lavez les têtes de brûleur régulièrement, en particulier après des débordements importants qui peuvent obstruer les orifices des brûleurs. Retirez les brûleurs lorsqu'ils sont refroidis. Lavez-les avec de l'eau chaude savonneuse. Rincez à l'eau claire. Pour les taches plus tenaces, utilisez une brosse à poils en plastique.

REMARQUE : Des brosses plus rigides peuvent être utilisées, mais elles peuvent altérer l'apparence du brûleur, sans nuire à son rendement.

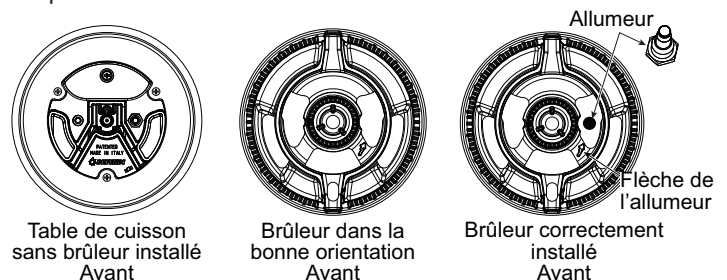
REMARQUE : N'utilisez pas de laine d'acier ni de tampons à récurer pour nettoyer les pièces du brûleur, car ils peuvent obstruer les orifices. Ne lavez jamais les têtes de brûleur dans votre lave-vaisselle. Cela pourrait les décolorer. Les orifices dans les têtes de brûleur doivent être propres en tout temps afin d'obtenir une flamme uniforme et sans obstruction.

Après nettoyage

Avant de replacer les composants du brûleur, secouez l'excès d'eau et séchez soigneusement.

Pour replacer les pièces d'un brûleur à plusieurs anneaux :

Alignez la tête de brûleur comme illustré. Faites passer l'allumeur à travers l'ouverture dans la tête du brûleur tout en vous assurant que la flèche de l'allumeur est orientée vers l'allumeur. Assurez-vous que le brûleur repose à plat. Installez les chapeaux en vous assurant qu'ils reposent à plat sur la tête du brûleur. Vérifiez le fonctionnement du brûleur pour vous assurer d'obtenir une flamme bleue uniforme autour du brûleur. Si vous obtenez des flammes jaunes et irrégulières, éteignez immédiatement le brûleur, laissez-le refroidir puis réajustez le brûleur et ses chapeaux.



Pour replacer les pièces d'un brûleur à double flammes :

Veillez à réinstaller les composants du brûleur au même endroit.

1. Remplacez la tête du brûleur sur la base du brûleur, en veillant à ce que l'orifice de la tête soit correctement alignée sur l'électrode dans la base. C'est normal de trouver un petit espace entre la base et la tête.
2. Placez le chapeau du brûleur sur la tête. Veillez à ce que le chapeau soit encastré sur la tête du brûleur.



Chapeau de brûleur incorrectement installé

ENTRETIEN ET NETTOYAGE

DÉCLENCHEUR D'ÉTINCELLES ET ÉLECTRODES

L'électrode du système d'allumage électronique est placée à l'arrière de la base du brûleur. Lorsque vous nettoyez la table de cuisson, prenez soin de ne pas accrocher l'allumeur avec un chiffon doux. Vous risqueriez de l'abîmer.

Veillez à ne pas appuyer sur un bouton de commande pendant le nettoyage. L'allumeur pourrait dégager des étincelles.

Veillez à ce que les allumeurs en céramique blanche de la table de cuisson soient secs et propres. Nettoyez la partie métallique de l'électrode à l'aide d'un chiffon doux ou une lime à ongles.

N'essayez pas de retirer l'électrode de la table de cuisson.

Nettoyez la partie métallique à l'aide d'une lime à ongles.



Ne nettoyez pas la partie en céramique blanche avec la lime à ongles.

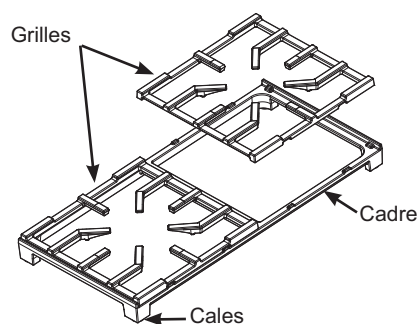
GRILLES DE BRÛLEUR

Nettoyez régulièrement les grilles de brûleur en fonte émaillée.

Lavez-les à l'eau chaude et savonneuse, rincez et séchez soigneusement.

Malgré leur robustesse, les grilles perdront progressivement de leur éclat, indépendamment de l'entretien. Ceci est dû à l'exposition permanente aux hautes températures.

Ne mettez pas un brûleur en marche pendant une période prolongée sans ustensiles sur la grille. La finition de la grille risque de s'effriter sans ustensiles pour absorber la chaleur.



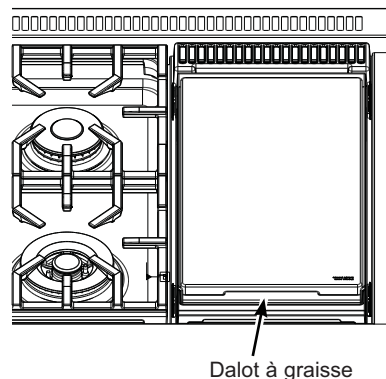
Pour davantage de stabilité, les cadres possèdent des cales en caoutchouc sur chaque extrémité. Pendant le nettoyage et l'utilisation, prenez soin de ne pas abîmer ou d'accrocher les cales en caoutchouc.

DALOT À GRAISSE (sur certains modèles)

La graisse de la plaque chauffante et du grill se videra dans le dalot à graisse en fonte émaillée à l'avant de l'appareil. Assurez-vous de pousser le dalot à graisse en dessous de la lèvre de la plaque chauffante afin de recueillir la graisse pendant la cuisson. Une fois le dalot à graisse refroidi, vous pouvez le démonter pour le nettoyer plus facilement.

Pour démonter le dalot à graisse froid de la plaque chauffante, faites-le glisser vers l'avant et soulevez-le.

Ne laissez pas la graisse s'accumuler dans le dalot afin d'éviter tout risque d'incendie. Nettoyez le dalot à graisse dès qu'il est froid. Le dalot peut être nettoyé à la main avec de l'eau savonneuse chaude ou dans le lave-vaisselle. Essuyez tout déversement dans la cuve du dalot à l'aide d'un chiffon doux.



PLAQUE CHAUFFANTE (sur certains modèles)

Éliminez soigneusement la graisse et les particules de nourriture de la plaque chauffante, avec une spatule en métal à bords carrés pendant qu'elle est encore chaude.

Essuyez la plaque à l'aide d'un chiffon sec, lourd, épais pour retirer les résidus restants et les particules de nourriture.

Si la plaque est nettoyée avec autre chose, elle devra être reconditionnée.

N'aspersionnez d'eau froide pas la plaque chauffante. La plaque risquerait de se déformer ou se fissurer.


REMARQUE : Il est normal que le grill d'acier inoxydable se décolore et prenne une teinte jaune-brun après l'utilisation.

TRUCS DE DÉPANNAGE

Économisez du temps et de l'argent! Consultez les tableaux des pages suivantes, et vous n'aurez peut-être pas à appeler le service à la clientèle.

Problème	Cause Possible
Le four ne fonctionne pas	un fusible de votre maison peut être grillé ou le disjoncteur déclenché Les commandes du four ne sont pas correctement réglées. Les commandes du four sont réglées pour le nettoyage. Laissez le four refroidir si nécessaire, puis ouvrez la porte. Veillez à ce que le bouton de sélection de mode du four est sur BAKE (Cuisson) et que le Bouton Température du four soit placé sur une température.
Les brûleurs de surface s'allument mais pas ceux du four.	la soupape d'arrêt du four peut avoir bougé durant le nettoyage ou lors d'un déplacement.
Les lampes du four ne fonctionnent pas	l'ampoule est défectueuse. Remplacez l'ampoule. Les lampes du four ne s'allument pas pendant l'autonettoyage. Le four est en mode Proof (Levée). Les lampes s'allument et s'éteignent successivement pour maintenir la température de levée.
Le plat ne cuit pas ou ne rôtit pas correctement	les commandes du four sont mal réglées. Voir la section Baking (Cuisson) ou Roasting (Rôtissage) Four non préchauffé pendant une durée suffisante, attendez que le four signale la fin du préchauffage. Ustensiles de cuisson inappropriés ou ustensiles d'une taille inappropriée. Voir les conseils pour la cuisson. Grilles dans la mauvaise position. Voir la section Baking (Cuisson) ou Roasting (Rôtissage). Utilisez une feuille d'aluminium pour ralentir le dorage pendant le rôtissage. Le thermostat du four doit être ajusté. Voir la section Réglage du thermostat du four.
Le plat ne grille pas correctement	ce modèle est conçu pour griller en porte fermée uniquement. Fermez la porte. Grillez avec la porte fermée. Le four n'est pas réglé sur BROIL (Griller). Voir la section Broiling (Cuisson au grill). La sonde est branchée à la prise du four. Retirez la sonde du four. La position de cuisson n'est pas la bonne. Les ustensiles ne sont adaptés pour griller. Utilisez le moule/plat et la grille fournis avec votre four. Le papier aluminium utilisé dans le plat et la grille n'a pas été placé correctement et coupé selon les recommandations.
Son de craquement ou de claquement.	c'est normal. Il s'agit du bruit du métal qui chauffe et qui refroidit pendant la cuisson et le nettoyage.
La température du four est trop faible ou trop forte	le thermostat du four doit être réglé. Voir la section Réglage du thermostat du four.
F- et un numéro clignotent sur l'écran	le four a un code d'erreur de fonctionnement. Tournez le bouton de sélection de mode du four et le Bouton Température du four sur OFF. Laissez le four refroidir pendant une heure. Remettez le four en route. Coupez l'alimentation du four pendant 30 secondes et rebranchez l'alimentation. Si le code d'erreur se répète, appelez un réparateur.
L'écran est noir	l'écran est noir lorsque le four ou le minuteur n'est pas utilisé. Un fusible de votre maison peut être grillé ou le disjoncteur déclenché. Remplacez le fusible ou réenclenchez le disjoncteur.
Le message « probe » (sonde) s'affiche sur l'écran	ceci a pour but de vous rappeler d'introduire la sonde de température après l'avoir branché. Introduisez une sonde de température.
Coupure de courant	si vous avez utilisé le four pendant une coupure de courant ou une surtension, redémarrez le four. Tournez le bouton de sélection de mode du four et le Bouton Température du four sur OFF. Réglez à nouveau les boutons de commande pour redémarrer.
Vapeur provenant de l'évent	si vous l'utilisez en mode convection, il est normal de voir de la fumée s'échapper de l'évent du four. Le nombre de positions de cuissons ou la quantité d'aliments en cours de cuisson augmentant, la quantité de vapeur augmentera.

TRUCS DE DÉPANNAGE

Problème	Cause Possible
Odeur d'huile ou de brûlé provenant de l'événement	c'est normal dans un four neuf, l'odeur disparaîtra.
Un odeur forte	c'est provisoire. Il est fréquent qu'une odeur provenant de l'isolation qui entoure l'intérieur du four se dégage lors des premières mises en route.
Bruit du ventilateur	un ventilateur de convection ou de refroidissement (selon la fonction que vous utilisez) peut s'allumer. C'est normal. Le ventilateur de refroidissement s'allumera pour refroidir les composants internes. Il fonctionnera probablement après l'extinction du four. Le ventilateur de convection peut s'allumer et s'éteindre jusqu'à ce que la fonction soit terminée ou que la porte s'ouvre.
Le ventilateur de convection n'est pas toujours en marche.	pour optimiser le rendement, le ventilateur de convection (selon la fonction que vous utilisez) peut passer par des cycles marche-arrêt jusqu'à ce que la fonction soit terminée ou que la porte soit ouverte. Cela est normal. De plus, le ventilateur peut tourner en alternance dans le sens horaire et antihoraire jusqu'à ce que la fonction soit terminée ou que la porte soit ouverte.
Les brûleurs ne s'allument pas	La fiche du cordon de la cuisinière n'est pas complètement insérée dans la prise électrique. Assurez-vous que la fiche est branchée dans une prise fonctionnelle, correctement mise à la terre.
	L'alimentation en gaz n'est pas connectée ou mise en marche. Voyez les instructions d'installation qui accompagnent votre cuisinière.
	Un fusible de votre domicile est peut-être grillé ou le disjoncteur s'est déclenché. Remplacez le fusible ou réenclenchez le disjoncteur.
	Des pièces du brûleur n'ont pas été remises en place correctement. Voyez la section Entretien et nettoyage du four.
	Les fentes du brûleur près de l'électrode sont peut-être obstruées. Retirez les brûleurs et nettoyez-les. Vérifiez la zone de l'électrode à l'affût d'aliments ou de graisse brûlés. Voyez la section Entretien et nettoyage du four.
	Résidu d'aliment sur l'électrode. Polissez légèrement le bout plat de l'électrode avec une lime à ongles ou un papier sablé jusqu'à ce qu'il soit brillant.
Les brûleurs du dessus ne brûlent pas uniformément	Assemblage de brûleurs incorrect. Assurez-vous que les chapeaux de brûleur sont placés correctement. Voyez la section Entretien et nettoyage du four.
	Des fentes sur le côté du brûleur sont peut-être obstruées. Retirez les brûleurs pour le nettoyage. Voyez la section Entretien et nettoyage du four.
Les flammes des brûleurs sont très grandes et jaunes	Mauvaise proportion d'air par rapport au gaz. Si la cuisinière est raccordée au gaz propane, contactez le technicien qui a installé la cuisinière ou effectuez la conversion.
De la condensation ou du brouillard embue l'intérieur de la vitre de porte.	la présence de condensation ou de brouillard sur l'intérieur de la vitre de la porte du four est normale durant le préchauffage du four et elle disparaît habituellement à la fin du cycle de préchauffage.
Le four ne se met pas en autonettoyage	la température du four est trop élevée pour fonctionner en mode d'autonettoyage. Laissez le four refroidir en dessous de la température de fermeture et réglez les commandes à nouveau. Les boutons sont mal réglés. Voir la section Four en mode nettoyage automatique.
Le four est sale après un programme de nettoyage	le four est extrêmement sale. Nettoyez les éclaboussures coriaces avant de démarrer le nettoyage. Les fours extrêmement sales devront probablement être à nouveau nettoyés. Le four est branché sur une alimentation 208 V. Réglez le temps de nettoyage sur 5 heures. Les boutons sont mal réglés. Voir la section Four en mode nettoyage automatique.
Les grilles du four sont difficiles à coulisser	les grilles doivent être nettoyées dans le programme d'autonettoyage et régulièrement lubrifiées. Ne pulvérisez pas de produit pour cuisine ou autres lubrifiants. Voir Grilles de four extensibles dans la section Entretien et nettoyage.
Le minuteur ne marche pas	vous ne pouvez pas utiliser le minuteur si le four est en mode nettoyage automatique.
Message « Err turn surface burners off » (Erreur, éteindre les brûleurs de surface) sur l'écran	l'autonettoyage est en cours et la fonction de verrouillage de la table de cuisson est activée. Aucune cuisson de surface n'est autorisée durant l'autonettoyage. Attendez que cette opération soit terminée.
Message « Close door » (Fermer la porte) sur l'écran	le programme de nettoyage automatique a été sélectionné mais la porte n'est pas fermée. Fermez la porte du four. Le  symbole apparaîtra sur l'écran.

GARANTIE LIMITÉE

Monogram.ca/fr

Tous les services sous garantie sont fournis par nos Centres de service d'usine, ou par un technicien Customer Care® autorisé. Pour programmer un service en ligne, visitez-nous sur Bodewell.com/schedule-repair-service, ou en composant le 833-4BODEWELL. Veuillez garder les numéros de série et de modèle à portée de la main au moment d'effectuer un appel de service.

L'entretien de votre appareil pourrait nécessiter l'utilisation d'un accès aux données embarquées pour le diagnostic. Cela permet au technicien de l'atelier de réparation Monogram de diagnostiquer rapidement toute défaillance de votre électroménager et à Monogram d'améliorer la qualité de ses produits. Si vous ne souhaitez pas transmettre les données de votre appareil à Monogram, veuillez aviser votre technicien de s'en abstenir au moment de la visite de service.

Durant une période de	Monogram Appliances assumera
Garantie limitée de deux ans	Pendant deux ans à compter de la date d'achat d'origine, nous vous fournirons gratuitement des pièces et mettrons à votre disposition des réparateurs à votre domicile afin de réparer ou de remplacer toute pièce de l'appareil défectueuse en raison d'un défaut de fabrication.
Garantie de cinq ans limitée	Pendant cinq ans à compter de la date d'achat d'origine, nous vous fournirons gratuitement des brûleurs de surface à gaz de rechange s'ils ne fonctionnent dans un usage domestique normal. (Le plaque chauffante et les brûleurs du four sont inclus.) Vous ne payez que le déplacement du technicien et tous les frais de main d'oeuvre.
Garantie à vie limitée	Pour toute la durée de vie des grilles en émail porcelaine grise du four, nous vous fournirons gratuitement des grilles de rechange si elles ne fonctionnent dans un usage domestique normal. Vous ne payez que le déplacement du technicien et tous les frais de main d'oeuvre.

Ce qui n'est pas couvert par Monogram :

- Les déplacements des techniciens à votre domicile pour vous apprendre à utiliser l'appareil.
- Décoloration de la plaque chauffante ou des grilles du four.
- Cassure des grilles porcelaine émaillée ou des grilles du four.
- Remplacement des fusibles ou réenclenchement des disjoncteurs.
- Dommages indirects liés aux éventuels dysfonctionnements de cet appareil.
- Dommages liés au transport.
- Dommages liés à un accident, incendie, inondations, catastrophes naturelles.
- Défaillance ou dommage du produit s'il est maltraité, mal utilisé, utilisé à d'autres fins que l'usage prévu, ou utilisé commercialement.
- Installation, livraison et entretien inappropriés. Si vous rencontrez un problème d'installation, contactez votre revendeur ou installateur. Il vous incombe de fournir une alimentation de gaz, électrique, une ventilation adéquats et autres raccords comme indiqué dans les consignes d'installation fournies avec l'appareil.
- L'appareil n'est pas accessible pour fournir le service requis.

EXCLUSION DES GARANTIES IMPLICITES

Votre seul et unique recours consiste dans la réparation du produit tel que stipulé dans la présente garantie limitée. Toute garantie implicite, y compris les garanties implicites relatives à la qualité marchande ou à l'adéquation à un usage particulier, se limitera à une période d'un an ou à la période la plus courte prescrite par la loi.

Cette garantie limitée est offerte à l'acheteur initial et à tout propriétaire subséquent d'un produit acheté à des fins d'usage domestique aux États-Unis. Si le produit est situé dans une région où un réparateur autorisé Monogram Appliances n'est pas disponible, vous pourriez devoir assumer des frais de déplacement ou acheminer le produit à un réparateur autorisé Monogram Appliances pour faire réparer l'appareil. En Alaska, cette garantie limitée exclut les frais d'expédition et les visites de service à votre domicile.

Certains États ou provinces ne permettent pas l'exclusion ou la restriction des dommages accessoires ou indirects. Certains droits particuliers vous sont dévolus en vertu de la présente garantie et peuvent s'accompagner d'autres droits qui varient selon votre lieu de résidence. Pour connaître la nature exacte de vos droits, consultez l'organisme de protection du consommateur de votre région, ou encore le bureau du procureur général de l'État.

Garant : GE Appliances, a Haier company,
Louisville, KY 40225

Au Canada (incluant la province de Québec) : Cette garantie limitée s'étend à l'acheteur initial et à tous les propriétaires ultérieurs pour les produits achetés au Canada, y compris au Québec, et qui sont destinés à un usage domestique au Canada, y compris au Québec. Toutefois, si le produit se trouve dans une région où un réparateur agréé Monogram Appliances n'est pas disponible, vous pourriez être tenu de payer des frais de déplacement ou de vous rendre dans un centre de service agréé

Monogram Appliances. Certains territoires, comme le Québec, interdisent l'exclusion ou la restriction des dommages collatéraux ou indirects. Cette garantie limitée vous confère des droits légaux spécifiques ; vous pouvez également bénéficier d'autres droits qui varient d'une province à l'autre, y compris au Québec. Pour en savoir plus sur vos droits légaux, adressez-vous à votre bureau régional ou provincial de protection des consommateurs.

À l'intention des consommateurs québécois uniquement - Avis sur la garantie de disponibilité des pièces de rechange, des services de réparation et des renseignements nécessaires à la réparation ou à l'entretien (art. 39 de la Loi sur la protection du consommateur) :

Veillez noter que MC Commercial Inc. (« MC Commercial ») ne garantit pas, au sens de l'article 39 de la Loi sur la protection du consommateur, RLRQ, c. P -40.1, et des articles 79.18 à 79.20 du Règlement d'application de la Loi sur la protection du consommateur, RLRQ, c. P -40.1, r. 3, la disponibilité des pièces de rechange, des services de réparation ou des renseignements nécessaires à l'entretien ou à la réparation des biens fabriqués, importés, annoncés ou vendus par MC Commercial.

Veillez noter que MC Commercial Inc. continue d'offrir la garantie limitée du fabricant, telle qu'énoncée dans le manuel du propriétaire ou le guide rapide. Cette garantie limitée diffère de la garantie légale de disponibilité énoncée à l'article 39 de la Loi sur la protection du consommateur.

Garant : MC Commercial Inc., Burlington, ON, L7L 6B2

Brochez votre reçu ici. Pour obtenir le service sous garantie, vous devrez fournir la preuve de l'achat original.





MANUAL DEL PROPIETARIO

30", 36" y 48"

Estufas con Dos Tipos de Combustibles

ESPAÑOL

Elevate Everything™

MONOGRAM.COM

TABLE DES MATIÈRES

INFORMACIÓN DEL MODELO	2
SOPORTE AL CLIENTE	3
INFORMACIÓN DE SEGURIDAD	4
UTILIZANDO LA ESTUFA	9
Conexión la Estufa con WiFi	9
Funciones de la Estufa y de la Superficie de Cocción	10
Acentuación del Control de la Iluminación	11
En Caso de Corte de Corriente	11
Cocción sobre superficie	11
Utensilio Sobre la Estufa	12
Cocción en wok	13
Plancha	14
Características de su horno	15
Características del control del horno y del temporizador	16
Configuraciones	18
WiFi Connect y Acceso Remoto	18
Ventilaciones de Aire del Horno	20
Papel de Aluminio y Cobertores del Horno	20
Estantes del Horno	20
Odos de Cocción del Horno	22
Horneado	22
Asado	23
Cocción por Convección	24
Horneado por Convección	24
Dorado por Convección	25
Asado por Convección	26
Calentamiento	27
Leudado	27
Cocción de Precisión	27
Sonda de Temperatura	28
Guía de Cocción del Horno	30
Pautas del Utensilio de Horno	30
Guía de Cocción para Freír con Aire	32
CUIDADADO Y LIMPIEZA	33
Panel de Control y Perillas	33
Bandeja para Asar, Rejilla y Estante para Dorar	33
Exterior del Horno	34
Interior del Horno	34
Limpieza con Vapor	34
Limpieza Automática	35
Bandejas del horno	36
Bandeja del horno de bajo perfil	36
Sonda de Temperatura	36
Puerta del Horno	37
Luces del horno	38
Quemadores de Llama Dual Apilada y Anillo Múltiple	39
Encendedor a Chispa y Electrodo	40
Rejillas del quemador	40
Canaletas para grasa	40
Plancha	40
CONSEJOS PARA LA SOLUCIÓN DE PROBLEMAS	41
GARANTÍA LIMITADA DE MONOGRAM	43

INFORMACIÓN DEL MODELO

NÚMEROS DE MODELO

ZDP304, ZDP366, ZDP486

ANOTE LOS NÚMEROS DE MODELO Y SERIE

Los encontrará en una etiqueta ubicada detrás de la perilla del quemador izquierdo o en la parte inferior de la estufa.

Use estos números en cualquier correspondencia o llamadas al servicio técnico relacionadas con su horno de pared.

Antes de enviar esta tarjeta, escriba estos números aquí:

Número de Modelo

Número de Serie

SOPORTE AL CLIENTE

En los Estados Unidos – Visite nuestro sitio web en **monogram.com** o llame al 800.444.1845

En Canadá – Visítenos en Visite nuestro sitio web en **monogram.ca** o llame al 888.880.3030

Encuentre información de soporte para propietarios en nuestro sitio web:

- **Información**
- **Registre el electrodoméstico**
- **Programe el servicio a través de Bodewell**
- **Compre repuestos, accesorios o garantías extendidas**
- **Conecte su electrodoméstico** – 800.220.6899

Si usted no está satisfecho con el servicio, contáctenos en nuestro sitio web con todos los detalles, incluyendo su número de teléfono, o escriba a:

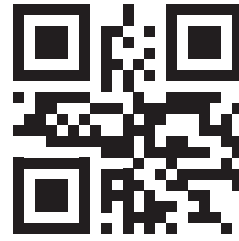
En los EE. UU. - General Manager, Customer Relations | Monogram | Appliance Park | Louisville, KY 40225

En Canadá - Director, Customer Relations | MC Commercial Inc. | 1100 Burloak Dr. Suite 601 | Burlington, ON L7L 6B2

monogram.com



monogram.ca



INFORMACIÓN IMPORTANTE DE SEGURIDAD

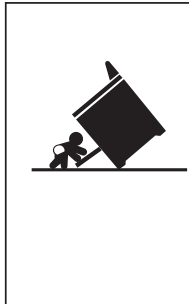
LEA TODAS LAS INSTRUCCIONES ANTES DE USAR ESTE ELECTRODOMÉSTICO

⚠️ ADVERTENCIA

Si la información de este manual no se sigue al pie de la letra, puede ocasionarse un incendio o una explosión, generando daños a la propiedad, lesiones personales o la muerte.

- No almacene o use gasolina u otros vapores o líquidos inflamables cerca de este o cualquier otro aparato.
- **QUÉ HACER SI HUELE GAS**
 - No trate de encender ningún aparato.
 - No toque ningún interruptor eléctrico; no utilice ningún teléfono en su edificio.
 - Inmediatamente llame a su proveedor de gas desde el teléfono de un vecino. Siga las instrucciones del proveedor de gas.
 - Si no puede comunicarse con el proveedor de gas, llame al departamento de bomberos.
- La instalación y servicio técnico deben realizarlos un instalador calificado, una agencia de servicio o el proveedor de gas.

DISPOSITIVO ANTI-VOLCADURAS



⚠️ ADVERTENCIA

Riesgo de Caída

- Un niño o adulto pueden volcar la estufa y morir.
- Instale el soporte anti-volcaduras sobre la pared o el piso.
- Asegúrese la estufa al soporte anti-volcaduras deslizando la unidad hacia atrás de tal manera que la pata niveladora sea enganchada.
- Vuelva a adherir el soporte anti-volcaduras si la estufa se mueve de lugar.
- Si esto no se hace, se podrá producir la muerte o quemaduras graves en niños o adultos.

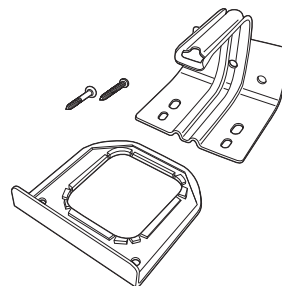
Para reducir el riesgo de volcar la estufa, ésta debe sujetarse mediante un soporte anti-volcaduras con una adecuada instalación. Ver las instrucciones de instalación enviadas con el soporte para obtener detalles completos antes de iniciar la instalación.

Para Estufas a Gas Profesionales

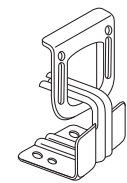
Para controlar si el soporte es instalado y ajustado de forma apropiada, mire que debajo de la estufa la pata niveladora trasera esté ajustada al soporte. En algunos modelos, el panel de protección se pueden retirar para una fácil inspección. Si no es posible realizar una inspección visual, deslice la estufa hacia adelante, confirme que el soporte anti-volcaduras esté ajustado de forma segura al piso o la pared, y deslice la estufa hacia atrás de modo que la pata niveladora trasera se encuentre debajo del soporte anti-volcaduras.

Si la estufa es expulsada de la pared por alguna razón, siempre repita este procedimiento a fin de verificar que esté asegurado de forma correcta con un soporte anti volcaduras.

Nunca quite las patas de nivelación por completo ya que la estufa no quedará bien sujeta al dispositivo anti-volcaduras.



Kit de soporte anti-volcaduras incluido



Vista Trasera

INFORMACIÓN IMPORTANTE DE SEGURIDAD

LEA TODAS LAS INSTRUCCIONES ANTES DE USAR ESTE ELECTRODOMÉSTICO

⚠️ ADVERTENCIA

Lea todas las instrucciones de seguridad antes de utilizar este producto. No seguir estas instrucciones puede generar un incendio, una descarga eléctrica, lesiones corporales o la muerte.

⚠️ ADVERTENCIA

INSTRUCCIONES GENERALES DE SEGURIDAD

⚠️ ADVERTENCIA

NUNCA use este electrodoméstico para calentar el ambiente. Como consecuencia de esto, se podrá producir envenenamiento con monóxido de carbono y el sobrecalentamiento del horno.

- Use este electrodoméstico sólo para su propósito original, como se describe en el manual del propietario.
- Solicite que un instalador calificado instale su estufa y que esté correctamente conectada a tierra, de acuerdo con las instrucciones de instalación provistas.
- Cualquier ajuste y trabajo de servicio técnico deberá ser realizado únicamente por instaladores calificados de estufas a gas o técnicos del servicio. No intente reparar o reemplazar ninguna parte de la estufa, a menos que esto se recomiende específicamente en este manual.
- Su estufa es enviada desde la fábrica configurada para uso con gas natural. Puede ser convertida para uso con gas propano (LP). Si se requieren, estos ajustes deben ser realizados por un técnico calificado de acuerdo con las instrucciones de instalación y códigos locales. La agencia que realiza este trabajo asume la responsabilidad de la conversión.
- Solicite que el instalador le muestre la ubicación de la válvula de cierre de la estufa a gas y cómo apagarla en caso de ser necesario.
- Doble Alimentación: Si el elemento de calentamiento del horno desarrolla un punto brillante y muestra otras señales de daño, no use dicha área de la estufa. Un punto brillante indica que el elemento puede fallar y generar una posible quemadura, incendio o descarga eléctrica. Apague el elemento de calentamiento de inmediato y solicite a un técnico calificado del servicio que reemplace el mismo.
- Antes de realizar cualquier servicio técnico, desenchufe la estufa o desconecte el suministro de corriente desde el panel de distribución del hogar, retirando el fusible o desconectando el disyuntor.
- Asegúrese de que todos los materiales de embalaje sean retirados de la estufa antes de su uso, a fin de evitar que estos materiales se incendien.

- Evite rayar o impactar las pantallas de vidrio. Hacer esto podrá producir la rotura de vidrios. No cocine un producto con un vidrio roto. Es posible que se produzcan descargas, incendio o cortes.
- No deje a los niños solos o fuera de su radio de atención en el área donde el electrodoméstico se encuentre en uso. Nunca se les deberá permitir trepar, sentarse o pararse sobre ninguna parte del electrodoméstico.

⚠️ PRECAUCIÓN

- No coloque artículos de interés para los niños sobre los gabinetes que están sobre un horno – si los niños se trepan sobre el horno para llegar a estos artículos podrían sufrir lesiones graves.
- Nunca bloquee las ventilaciones (aberturas de aire) de la estufa. Las mismas brindan las entradas y salidas de aire que son necesarias para que la estufa opere de forma correcta con la combustión adecuada. Las aberturas de aire están ubicadas en la parte trasera de la estufa, en la parte superior e inferior de la puerta del horno, y en la parte inferior de la estufa.
- Use sólo sostenedores de ollas secos – los sostenedores húmedos sobre superficies calientes pueden producir quemaduras debido al vapor. No permita que los sostenedores de ollas tengan contacto con los quemadores superficiales, la parrilla de los quemadores, o el elemento de calefacción del horno. No use una toalla u otra tela voluminosa para reemplazar el mango de las cacerolas.
- No toque el elemento calentador ni la superficie interior del horno. Es posible que estas superficies estén demasiado calientes como para quemar, aunque su color sea oscuro. Durante y después del uso, no toque ni permita que telas u otros materiales inflamables toquen cualquier área interior del horno; espere a que haya pasado un tiempo suficiente para que se enfríen. Otras superficies del electrodoméstico se podrán calentar lo suficiente como para ocasionar lesiones. Las superficies potencialmente calientes incluyen quemadores, rejillas, abertura de la ventilación del horno, superficies cercanas a la abertura, grietas alrededor de la puerta del horno, piezas con bordes metálicos sobre la puerta, cualquier protección trasera, o superficie de estante alto.
- No caliente envases de comida que no hayan sido abiertos. Se podría acumular presión y el envase podría explotar, ocasionando una lesión.

LEA Y GUARDE ESTAS INSTRUCCIONES

INFORMACIÓN IMPORTANTE DE SEGURIDAD

LEA TODAS LAS INSTRUCCIONES ANTES DE USAR ESTE ELECTRODOMÉSTICO

▲ ADVERTENCIA INSTRUCCIONES GENERALES DE SEGURIDAD (cont.)

- Cocine la comida completamente para evitar que se produzcan enfermedades a partir de la comida. Puede encontrar recomendaciones de seguridad mínima sobre la temperatura de la comida en IsItDoneYet.gov y fsis.usda.gov. Utilice un termómetro para tomar la temperatura de la comida y haga controles en diferentes ubicaciones.
- No permita que nadie se trepe, pare o cuelgue de la puerta del horno, del cajón o la estufa. Se podrá dañar la estufa o provocar su caída, ocasionando lesiones graves o la muerte.
- Mantenga limpia la campana del ventilador y los filtros de grasa, a fin de mantener una buena ventilación y de evitar incendios con grasa. Apague el ventilador en caso de incendio o al “encender” intencionalmente licor u otras bebidas alcohólicas de alta graduación en la superficie de cocción. Si el extractor se encuentra en funcionamiento, podrá esparcir las llamas.

▲ ADVERTENCIA MANTENGA LOS MATERIALES INFLAMABLES ALEJADOS DE LA ESTUFA

Si esto no se cumple, se podrán sufrir lesiones personales graves o incendios.

- No guarde ni use materiales inflamables en un horno o cerca de la parte superior de la estufa, incluyendo papel, plástico, sostenedores de ollas, trapos, cobertores de pared, cortinas, paños y gasolina u otros vapores y líquidos inflamables.
- Nunca use prendas holgadas o que cuelguen mientras usa el electrodoméstico. Evite acumular artículos comúnmente usados en gabinetes sobre la estufa, y tenga cuidado al extender la mano sobre la estufa. La ropa que se encuentre cerca de los quemadores o superficies calientes se podrá encender, ocasionando quemaduras graves.
- No permita que la grasa de la cocción u otros materiales inflamables se acumulen en o cerca de la estufa. La grasa del horno o sobre la estufa se podrá incendiar.

▲ ADVERTENCIA EN CASO DE INCENDIO, SIGA LOS SIGUIENTES PASOS PARA EVITAR LA PROPAGACIÓN DEL FUEGO

- No use agua sobre el fuego de la grasa. Nunca tome una olla que se esté incendiando. Apague los controles. Extinga la olla que se esté incendiando sobre un quemador superficial, cubriendo la olla completamente con su tapa correspondiente, una hoja metálica de galletas o una bandeja plana. Si es necesario, use un químico seco multiuso o un extintor de chorro de espuma.
- Si hay un incendio en el horno durante el horneado, ahogue el fuego cerrando la puerta del horno y apagando el mismo o usando un químico seco multipropósito o un extintor de incendio con espuma.
- En caso de que haya fuego en el horno durante el período de auto limpieza, apague el horno y espere a que el fuego se extinga. No fuerce la puerta para abrirla. La entrada de aire fresco sobre las temperaturas de auto limpieza podrá conducir a la producción de llamas en el horno.

▲ ADVERTENCIA INSTRUCCIONES DE SEGURIDAD DEL HORNO CON FUNCIÓN DE AUTO LIMPIEZ

La función de auto limpieza usa el horno en temperaturas lo suficientemente altas como para consumir restos de comida que haya dentro del mismo. Para un funcionamiento seguro, siga estas instrucciones.

- No toque las superficies del horno durante el ciclo de limpieza automática. Mantenga a los niños alejados del horno durante la limpieza automática. Si no se siguen estas instrucciones, se podrán producir quemaduras.
- Antes de utilizar el ciclo de auto limpieza, retire las ollas, estantes de metal brillante del horno y otros utensilios que haya dentro del mismo. Sólo se pueden dejar dentro del horno los estantes para horno con recubrimiento de porcelana.
- Antes de utilizar el ciclo de auto limpieza, limpie la grasa y restos de comida que haya en el horno. Una cantidad excesiva de grasa se puede incendiar, lo cual puede producir daños con humo en su hogar.
- Si el modo de auto limpieza funciona de forma incorrecta, apague el horno y desconecte el suministro de corriente. Solicite el servicio de un técnico calificado.
- No use limpiadores para horno. No se deberá usar limpiador para hornos comerciales ni revestimientos de protección para hornos de ningún tipo en o alrededor de cualquier parte del horno.
- No limpie la junta de la puerta. La junta de la puerta es esencial para un buen sellado. Se debe tener cuidado de no frotar, dañar ni mover la junta.
- **IMPORTANTE:** La salud de algunas aves es extremadamente sensible a los humos emitidos durante el ciclo de limpieza automática de cualquier estufa. Coloque las aves en otra habitación bien ventilada.

LEA Y GUARDE ESTAS INSTRUCCIONES

INFORMACIÓN IMPORTANTE DE SEGURIDAD

LEA TODAS LAS INSTRUCCIONES ANTES DE USAR ESTE ELECTRODOMÉSTICO

⚠ADVERTENCIA INSTRUCCIONES DE SEGURIDAD DE LA PARTE SUPERIOR DE LA ESTUFA

⚠ADVERTENCIA NUNCA

Pierda de Vista la Sección Superior de la Superficie de Cocción de este Electrodoméstico.

- **No seguir esta advertencia podrá resultar en incendio, explosión, o riesgos de quemaduras que podrán ocasionar daños sobre la propiedad, lesiones personales o la muerte.**
- **Si se produce un incendio, manténgase alejado del electrodoméstico y de inmediato llame al departamento de bomberos.**

NO INTENTE EXTINGUIR CON AGUA UN INCENDIO PRODUCIDO CON COMBUSTIBLE/ GRASA.

- Nunca pierda de vista el aceite cuando esté friendo. Si se calienta más allá de su punto de cocción, el aceite se puede quemar y provocar un incendio que se puede propagar a los gabinetes próximos. Use un termómetro para grasas profundas siempre que sea posible, a fin de monitorear la temperatura del aceite.

- Para evitar derrames e incendios, use una cantidad mínima de aceite al usar una sartén poco profunda y evite la cocción de comidas congeladas con cantidades excesivas de hielo.
- Use el tamaño de olla adecuado para evitar que sean inestables o que sufran caídas fácilmente. Seleccione utensilios que coincidan con el tamaño del quemador. Las llamas del quemador se deberán ajustar de modo que no se extiendan más allá de la parte inferior de la olla. Una cantidad excesiva de llama puede representar un riesgo.
- Siempre use la posición LITE al encender los quemadores superiores y asegúrese de que estos se hayan encendido.
- Al usar utensilios de vidrio/ cerámica, asegúrese de que sean adecuados para el servicio de estufa; otros se podrán romper debido a un cambio repentino de temperatura.
- A fin de minimizar posibles quemaduras, incendio de materiales inflamables y derrames, la manija de un envase deberá ser inclinada hacia el centro de la estufa sin que se extienda sobre los quemadores cercanos.
- No use un wok con un anillo con soporte de metal redondo. El anillo podrá atrapar calor y bloquear el aire hacia el quemador, produciendo el riesgo de emisión de monóxido de carbono.
- No intente elevar la estufa. Hacer esto podría dañar la tubería de gas hasta los quemadores superficiales, ocasionando una pérdida de gas y riesgo de incendio.
- No use papel de aluminio para cubrir rejillas cualquier parte de la estufa. Si se hace esto se podrá producir envenenamiento con monóxido de carbono, sobrecalentamiento de las superficies de la estufa o un posible riesgo de incendio.

LEA Y GUARDE ESTAS INSTRUCCIONES

INFORMACIÓN IMPORTANTE DE SEGURIDAD

LEA TODAS LAS INSTRUCCIONES ANTES DE USAR ESTE ELECTRODOMÉSTICO

▲ ADVERTENCIA INSTRUCCIONES DE SEGURIDAD

▲ ADVERTENCIA NUNCA cubra ninguna ranura, agujeros o pasajes en el fondo del horno ni cubra un estante entero con materiales tales como papel de aluminio o cobertores de horno. Hacer esto bloquea el flujo de aire a través del horno y puede ocasionar envenenamiento con monóxido de carbono. Nunca coloque papel de aluminio o cobertores de horno en el fondo del horno. Podrán atrapar el calor, ocasionando riesgos de humo o incendio.

- Manténgase alejado de la estufa al abrir la puerta del horno. El aire caliente o el vapor que sale puede causar quemaduras en las manos, rostro y/u ojos.
- Nunca coloque los utensilios de estufa, piedras para pizza u horneado o cualquier otro tipo de aluminio o cobertor en la base del horno. Este ítems pueden atrapar el calor o derretirse, ocasionando daños sobre el producto y el riesgo

de descargas, humo o incendios.

- Coloque los estantes del horno en la ubicación correspondiente mientras éste se encuentra frío. Si es necesario retirar el estante mientras el horno se encuentra caliente, evite tocar las superficies calientes.
- No deje productos tales como papel, utensilios de estufa ni comida en el horno cuando no esté en uso. Los artículos guardados en el horno se pueden incendiar.
- No deje ningún producto sobre la superficie de cocción, cerca de la ventilación del horno. Los artículos se pueden sobrecalentar, y existe riesgo de incendio o quemaduras.
- Nunca ase con la puerta abierta. Se prohíbe asar con la puerta abierta debido al sobrecalentamiento de las perillas de control.

FORMA ADECUADA DE DESCARTAR SU ELECTRODOMÉSTICO

Descarte o recicle su electrodoméstico de acuerdo con las Regulaciones Federales y Locales. Comuníquese con las autoridades locales para descartar o reciclar su electrodoméstico de forma ambientalmente segura.

Cómo Retirar la Película Protectora de Envío y la Cinta de Embalaje

Con cuidado tome un extremo de la película protectora de envío con los dedos y lentamente retire la misma de la superficie del electrodoméstico. No utilice ningún producto filoso para retirar la película. Retire toda la película antes de usar el electrodoméstico por primera vez.

Para asegurar que no haya daños sobre el acabado del producto, la forma más segura de retirar el adhesivo de la cinta de embalaje en electrodomésticos nuevos es aplicando un detergente líquido hogareño para lavar platos. Aplique con una tela suave y deje que se seque.

NOTA: El adhesivo deberá ser eliminado de todas las partes. No se puede retirar si se hornea con éste dentro.

Tenga en cuenta las opciones de reciclaje del material de embalaje de su electrodoméstico.

LEA Y GUARDE ESTAS INSTRUCCIONES

UTILIZANDO LA ESTUFA

Al realizar la configuración inicial, esta estufa requiere una actualización de software para poder activar todas las funciones. A fin de realizar la actualización, descargue la aplicación SmartHQ y luego siga las instrucciones para conectar la estufa a su red hogareña de WiFi. Algunas funciones están disponibles sólo a través de la aplicación SmartHQ. Para más información sobre cómo conectarse, consulte la sección "WiFi y Acceso Remoto" de esta guía.

CONEXIÓN DE SU ESTUFA CON WIFI ACTIVADO

Su estufa está diseñada para brindarle una comunicación recíproca entre su electrodoméstico y el dispositivo inteligente. Mediante el uso de la aplicación de SmartHQ, usted podrá controlar funciones esenciales de su estufa tales como las configuraciones de temperatura y modos de cocción, utilizando su teléfono inteligente o tableta*.

Qué necesitará

Su estufa utiliza su red de WiFi hogareña existente para realizar la comunicación entre el electrodoméstico y su dispositivo inteligente. A fin de configurar su estufa, usted necesitará reunir cierta información:

1. Cada horno Monogram cuenta con una etiqueta de electrodoméstico conectado que incluye un ID de UPD del Electrodoméstico. Éste es un detalle importante que necesitará para realizar la conexión al electrodoméstico. La etiqueta está ubicada normalmente dentro de la puerta del horno o en el cajón.

Connected Appliance Information

Contains FCCID: ZKJ-WCATA009	UPD ID: XX-XX-XX-XX-XX-XX
Contains IC: 10229A-WCATA009	
MAC ID: D8-28-C9-XXXXXXXX	PT. NO. XXXXXXXXXXXX

Ejemplo de Etiqueta

2. Su teléfono inteligente o tableta deben estar preparados con la capacidad de acceder a Internet y descargar aplicaciones.
3. Usted deberá conocer la contraseña del enrutador WiFi de su hogar. Tenga esta contraseña a mano al configurar la estufa.

Conexión la Estufa

1. A través de su teléfono inteligente o tableta, visite **monogram.com/connect** para aprender más sobre las funciones del electrodoméstico conectado y para descargar la aplicación de SmartHQ.
2. Siga las instrucciones en pantalla de la aplicación para conectar su estufa.
3. Una vez completado este proceso, el ícono de conexión quedará fijo una vez que la conexión se haya realizado con éxito.
4. Si el ícono de conexión no queda fijo, siga las instrucciones de la aplicación para realizar la conexión nuevamente. Si continúan los problemas, llame a 800.220.6899 y solicite asistencia en relación a la conectividad inalámbrica de la estufa.

Para conectar dispositivos inteligentes adicionales, repita los pasos 1 y 2.

Observe que todos los cambios o modificaciones al dispositivo de acceso remoto instalado en esta estufa que no están expresamente aprobados por el fabricante podrían anular la autoridad del usuario para operar el equipamiento.

*Se requiere el uso de dispositivos compatibles con Apple o Android y una red Wi-Fi hogareña.

EQUIPO DE ACCESO REMOTO INSTALADO

Este dispositivo cumple con la Parte 15 de la Normativa de la FCC. Su funcionamiento está sujeto a las dos condiciones siguientes: (1) Este dispositivo no podrá ocasionar interferencias nocivas, y (2) este dispositivo debe aceptar cualquier interferencia recibida, incluyendo interferencias que puedan ocasionar un funcionamiento no deseado.

El equipo de comunicación inalámbrica instalado en esta estufa fue probado y cumple con los límites establecidos para un dispositivo digital de Clase B, según la parte 15 de la Normativa de la FCC. Estos límites fueron diseñados para:

(a) brindar una protección razonable contra interferencias nocivas en una instalación residencial. Este equipo genera, usa y puede emitir energía de radiofrecuencia y, si no se instala y utiliza de acuerdo con las instrucciones, puede ocasionar interferencias perjudiciales en las comunicaciones de radio. Sin embargo, no se garantiza que no se presenten interferencias en una instalación en particular. Si el equipo provoca interferencias perjudiciales para la recepción de radio o televisión, lo cual puede comprobar encendiendo y apagando el equipo, se aconseja al usuario que intente corregir la interferencia con una de las siguientes medidas:

- Reoriente o reubique la antena receptora.
- Aumente la separación entre el equipo y el receptor.
- Conecte el equipo a un tomacorriente de un circuito diferente del tomacorriente al que se encuentra conectado el receptor.
- Para solicitar ayuda, consulte con el proveedor minorista o a un técnico experimentado de radio/ TV.

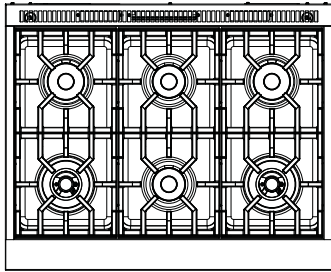
(b) tolerar cualquier interferencia recibida, incluyendo las interferencias que puedan provocar un funcionamiento no deseado del dispositivo.

Observe que todos los cambios o modificaciones sobre el dispositivo de comunicación inalámbrico instalado en esta estufa que no estén expresamente aprobados por el fabricante podrían anular la autoridad del usuario para operar el equipamiento.

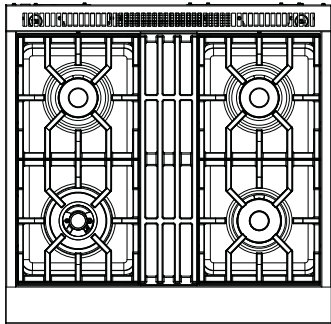
UTILIZANDO LA ESTUFA

FUNCIONES DE LA ESTUFA Y DE LA SUPERFICIE DE COCCIÓN

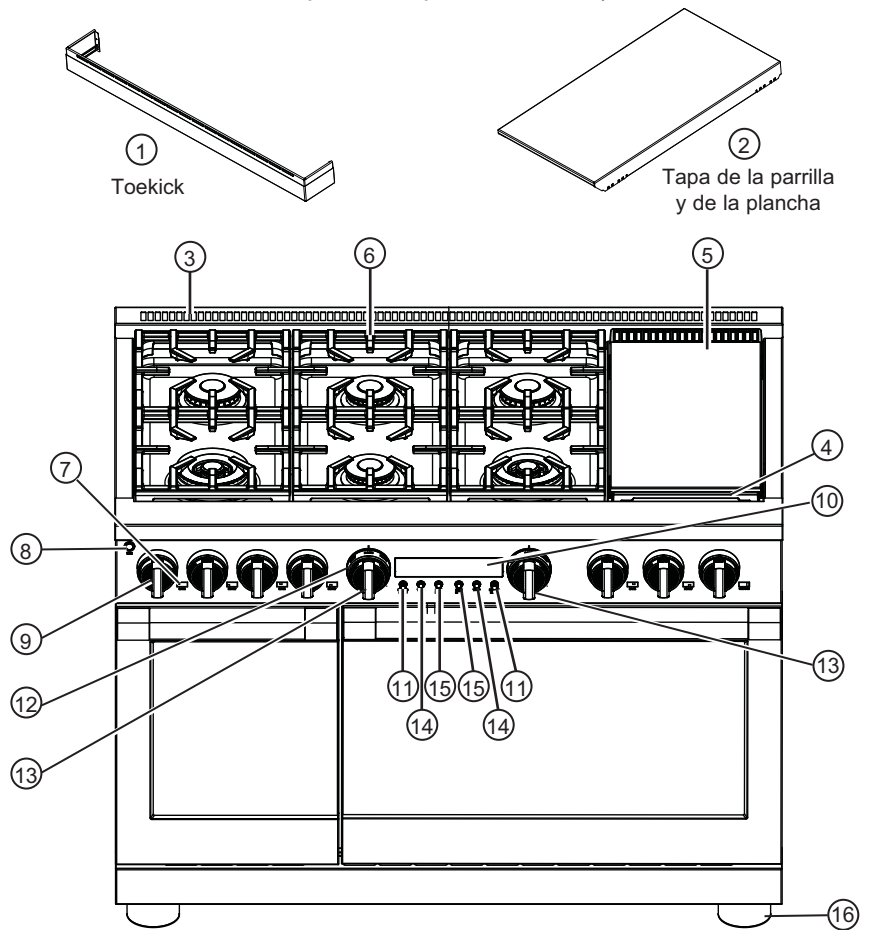
(No todas las características se encuentran en todos los modelos. La apariencia puede cambiar).



6 quemadores a gas



4 quemadores a gas



El modelo con horno doble incluye un horno izquierdo.

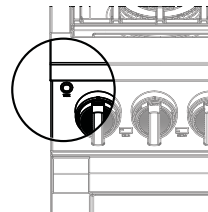
	Índice de funciones	Página
1	Placa de protección	
2	Tapa de la parrilla (en algunos modelos)	
3	Ventilaciones del horno	20
4	Canaleta para grasa de la parrilla y plancha (en algunos modelos)	40
5	Plancha (en algunos modelos)	14, 40
6	Rejillas de los quemadores de la estufa	13, 40
7	Indicador de ubicación del quemador	
8	Acentuar el control de la iluminación	11
9	Perilla de control del quemador con bisel iluminado	12, 33
10	Pantalla del horno	16, 22, 34, 35
11	Mini Perilla (para seleccionar PROBE (sonda), TIMER (temporizador) and Settings)	16-19, 28, 33-35
12	Selector de modo horno	16, 22, 34, 35
13	Perilla de temperatura del horno	16, 22, 34, 35
14	Temporizador de estufa	16, 17
15	Luz del Horno	16, 38
16	Sistema nivelador (4)	

UTILIZANDO LA ESTUFA

ACENTUACIÓN DEL CONTROL DE LA ILUMINACIÓN

Este botón controla la acentuación de la luz LED del panel de control. A través de la aplicación están disponibles opciones de color personalizadas para la perilla y la iluminación de las tareas.

- Luz de Acentuación del LED ENCENDIDA
- Luz de Acentuación del LED ENCENDIDA y luces de las perillas ENCENDIDAS
- Todas APAGADAS



EN CASO DE CORTE DE CORRIENTE

En el caso de un corte de luz, el horno quedará inoperable y no se deberá intentar usarlo. Sin embargo, los quemadores superficiales se podrán encender con un fósforo. Con extremo cuidado, sostenga un fósforo encendido cerca de los puertos

debajo de la tapa del quemador superficial; luego de forma lenta gire la perilla hasta la posición LITE (Bajo). Una vez encendidos, los quemadores superficiales continuarán funcionando normalmente.

COCCIÓN SOBRE SUPERFICIE

Iluminación de un Quemador Superficial

▲ ADVERTENCIA Los quemadores sólo deben ser usados cuando estén cubiertos por los utensilios. Las llamas de los quemadores que no estén cubiertas por el utensilio presentan un riesgo de incendio o incendio de telas. Nunca permita que las llamas se extiendan más allá de los costados del utensilio. Si esto no se cumple, se podrán producir lesiones graves.

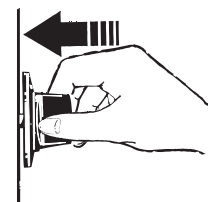
Asegúrese de que todos los quemadores estén en sus ubicaciones correspondientes y que estén totalmente ensamblados antes de usar cualquiera de estos.

Seleccione un quemador y busque su perilla de control. Empuje y gire la perilla hasta la posición LITE.

Escuchará un ruido de clic – el sonido de la chispa eléctrica que enciende el quemador. Cuando un quemador se gire a LITE, todos los quemadores generarán chispas. El chispeo continuará mientras la perilla permanezca en LITE. Una vez encendido el gas, gire la perilla para ajustar el tamaño de la llama.

Reencendido Automático (en algunos modelos)

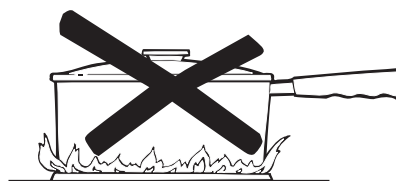
Los quemadores de esta estufa se volverán a iluminar automáticamente si la llama se apaga.



Empuje el mango de control y gire el mismo hasta la posición LITE.

Selección del Tamaño de la Llama

Observe la llama, no la perilla, a medida que reduce el calor. Cuando se desee calentar de forma rápida, el tamaño de la llama de un quemador deberá ser equivalente al tamaño del utensilio de estufa que esté usando. Cuando las llamas sean más grandes que la parte inferior del utensilio de estufa, no calentarán el utensilio más rápido y podrían ser riesgosas.



Estas llamas son demasiado grandes para la olla.

Uso de los Quemadores

NOTAS:

- No utilice el quemador durante un período de tiempo prolongado sin un utensilio de estufa sobre la parrilla. El acabado de la parrilla se puede resquebrajar si no hay un utensilio de estufa que absorba el calor.
- No intente desensamblar un quemador mientras otro quemador está encendido. Es posible que se produzca una descarga eléctrica, lo cual podría hacer que vuelque un utensilio de estufa caliente.
- Asegúrese de que los quemadores y las parrillas estén fríos antes de colocar la mano, tomar el mango de una olla, trapos de limpieza u otros materiales sobre estos.

Su horno cuenta con quemadores de gas sellados que ofrecen conveniencia, higiene y flexibilidad para una amplia variedad de aplicaciones de cocción.

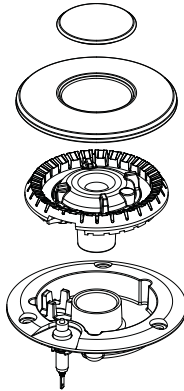
UTILIZANDO LA ESTUFA

COCCIÓN SOBRE SUPERFICIE

Tipos de Quemadores de la Superficie de Cocción

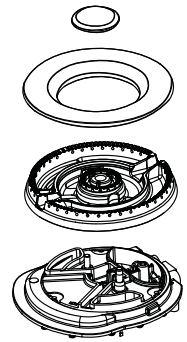
Quemador de Llama Dual Apilada:

Use este quemador para propósitos de cocción generales. Adapte el utensilio de forma proporcional a las llamas.



Quemador de Anillos Múltiples:

Use este quemador para utensilios grandes o aplicaciones para hervir.



Quemadores Apilados de Llama Dual

Los quemadores de llama dual apilada de su estufa cuentan con dos conjuntos de llamas apiladas una sobre la otra.; los quemadores de llama dual tienen una llama inferior (fuego lento) y una llama superior (principal).

Cuando se enciende un quemador, la llama inferior siempre se encenderá y quedará prendida.

Fuego lento:

El diseño de quemadores apilados ofrece una amplia gama de configuraciones de calor para poder cocinar a fuego lento. Dependiendo del tipo y cantidad de alimentos, y del tamaño del recipiente, la llama puede ajustarse a sus necesidades específicas.

Cocción:

Las configuraciones desde **LO (baja)** a **MED** utilizan las llamas altas y bajas. Utilice **HI (alta)** para recipientes de un diámetro mayor.

La función HI (Alta) fue diseñada para soasar las comidas de forma rápida y hervir grandes cantidades de agua.

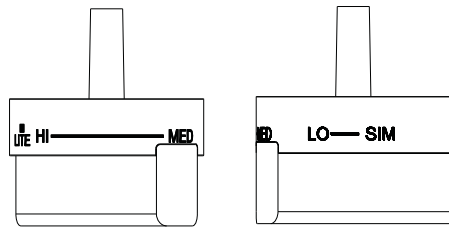


Los quemadores de llama dual apilada se suministran con tapas negras esmaltadas e inserciones de latón en su centro. Las inserciones se pueden retirar, dependiendo de las preferencias del consumidor.

Quemador de Anillos Múltiples

El Quemador de Anillos Múltiples cuenta con un anillo interior y otro exterior de llamas. Para utensilios grandes, active todos los anillos configurando el quemador entre Hi (Alto) y Med (Medio).

Para utensilios pequeños o aplicaciones con poco calor, sólo active los anillos internos configurando el quemador entre Lo (Bajo) y Sim (Hervor a Fuego Lento).



Vista Superior de la Perilla del Quemador de Anillos Múltiples.

Los quemadores de anillos múltiples se suministran con tapas esmaltadas tanto de latón como negras; cualquiera de las dos se puede usar dependiendo de las preferencias del consumidor.

UTENSILIO SOBRE LA ESTUFA

Aluminio: Se recomienda un utensilio de peso mediano, ya que calienta de forma rápida y pareja. La mayoría de las comidas se doran de forma pareja en un sartén de aluminio. Use cacerolas con tapa hermética cuando cocine con cantidades mínimas de agua.

Acero Inoxidable: Este metal posee propiedades de calentamiento limitadas y normalmente se combina con cobre, aluminio u otros materiales para una mejor distribución del calor. Los sartenes con combinación de metales normalmente funcionan de forma satisfactoria si se usan con calor medio, como lo recomienda el fabricante.

Hierro Forjado: Si cocinará de forma lenta, la mayoría de los sartenes le darán resultados satisfactorios.

Utensilios de esmalte: Bajo ciertas condiciones, el esmalte de algunos utensilios de estufa se pueden derretir. Siga las recomendaciones sobre métodos de cocción del fabricante de utensilios de estufa.

Vidrio: Existen dos tipos de utensilios de estufa de vidrio – aquellos para uso con el horno únicamente y aquellos para la cocción en la parte superior de la estufa (cacerolas, café y teteras). Los conductores de vidrio calientan de forma muy lenta.

Cerámica de Vidrio Resistente al Calor: Se pueden usar para cualquier superficie o para cocción en el horno. Conduce el calor de forma muy lenta y se enfría de forma muy rápida. Consulte las instrucciones del fabricante de utensilios de estufa para saber con seguridad si se puede usar con estufas a gas.

UTILIZANDO LA ESTUFA

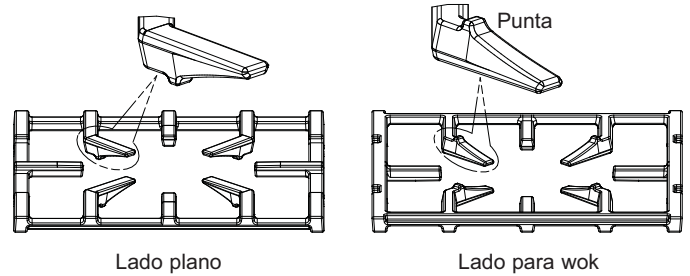
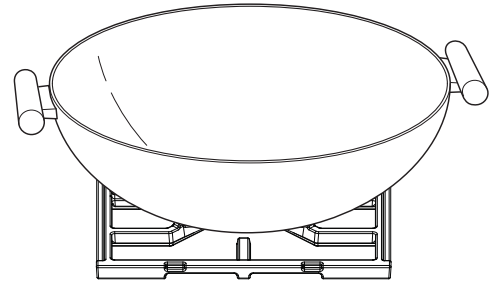
Cocción en wok

Las rejillas de los quemadores cuentan con un diseño único para poder cocinar en ambos lados. El lado plano se utiliza con recipientes de base plana (ollas grandes, cacerolas, sartenes y woks de base plana), mientras que el lado del wok fue diseñado para sostener una amplia variedad de woks con fondo redondo de 14" a 16" sin la necesidad de contar con un anillo aparte.

Para un fácil acceso, se recomienda el uso de un quemador frontal para la cocción con wok.

Se recomienda el uso del quemador frontal izquierdo o derecho para la cocción con wok en estufas de 36" y 48", y del frontal izquierdo en estufas de 30".

⚠ ADVERTENCIA No use un anillo de soporte para wok. Colocar el anillo sobre el quemador o parrilla podrá hacer que el quemador funcione de forma inadecuada, produciendo niveles de monóxido de carbono que superan los estándares permitidos. Esto puede ser peligroso para su salud.



UTILIZANDO LA ESTUFA

PLANCHA (en algunos modelos)

⚠ ADVERTENCIA Riesgo de Incendio

- Tenga cuidado al cocinar comidas con grasa. La grasa esparcida puede provocar un incendio.
- Nunca coloque ni guarde un artículo en la plancha, incluso cuando no esté en uso. El calor de los demás quemadores puede calentar la plancha y provocar un incendio.
- Coloque y retire la plancha sólo cuando todas las parrillas y la plancha estén frías y todas las unidades superficiales estén en OFF (Apagado).

PRECAUCIONES DE SEGURIDAD Y NIVELACIÓN DE LA PLANCHA (

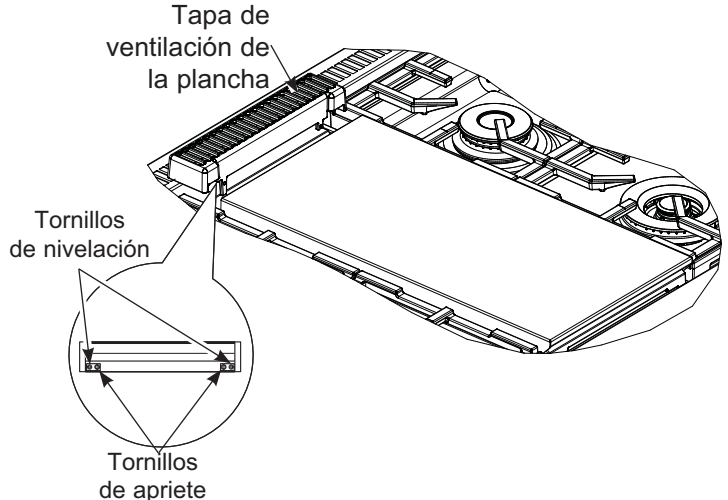
Quite la tapa de metal y la tabla para cortar antes de encender la plancha.

La ensambladura de la plancha no debe quitarse para la limpieza.

Una vez que la unidad se encuentra en su posición, la plancha puede nivelarse. Quite la tapa de ventilación levantándola hacia arriba. Asegúrese de no rayar las superficies de acero inoxidable cercanas mientras quita la tapa de ventilación.

Los dos tornillos internos son tornillos de apriete para asegurar la plancha en su lugar. Afloje los dos tornillos antes de nivelar. **No quite estos dos tornillos.**

Los dos tornillos exteriores son tornillos de nivelación. **No quite estos dos tornillos.** Pueden girarse para nivelar la plancha o para brindar una inclinación hacia adelante para que las grasas y aceites se escurran de los alimentos que se están cocinando. Después de los primeros usos, usted podrá juzgar la inclinación que mejor se ajuste a los alimentos que está cocinando y a su preferencia personal.



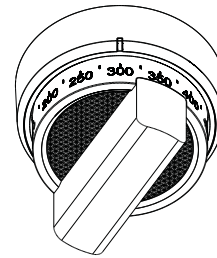
Después de nivelar la plancha, ajuste los tornillos de apriete para asegurar la plancha en su lugar. **Ajuste los tornillos a mano; no ajuste de más.**

CÓMO USAR LA PLANCHA

Limpie la plancha completamente con agua caliente y jabón antes del primer uso y luego de usos subsiguientes. La superficie de la plancha es de acero inoxidable Tipo 304 altamente pulido y duradero, reforzado con una placa de aluminio para una distribución pareja del calor. Aplique una capa fina de aceite de estufa sobre la superficie de la plancha, a fin de evitar que la comida se pegue.

Para calentar la plancha, presione y gire la perilla de control hasta la configuración de temperatura deseada. La luz del engaste brillará para indicar que el control del termostato se encuentra en funcionamiento. La plancha es controlada por termostato y puede ser configurada para mantener cualquier temperatura entre 200°F y 450°F. Espere hasta que la plancha se precaliente durante 10 minutos antes de colocar comida en la misma.

NOTA: A diferencia de los quemadores de la superficie, los cuales usan encendedores a chispa, la plancha usa un encendido para superficie caliente. El gas fluye hasta el quemador de la plancha y el encendido se produce 45 segundos después de que la perilla de control es girada hasta la temperatura configurada.



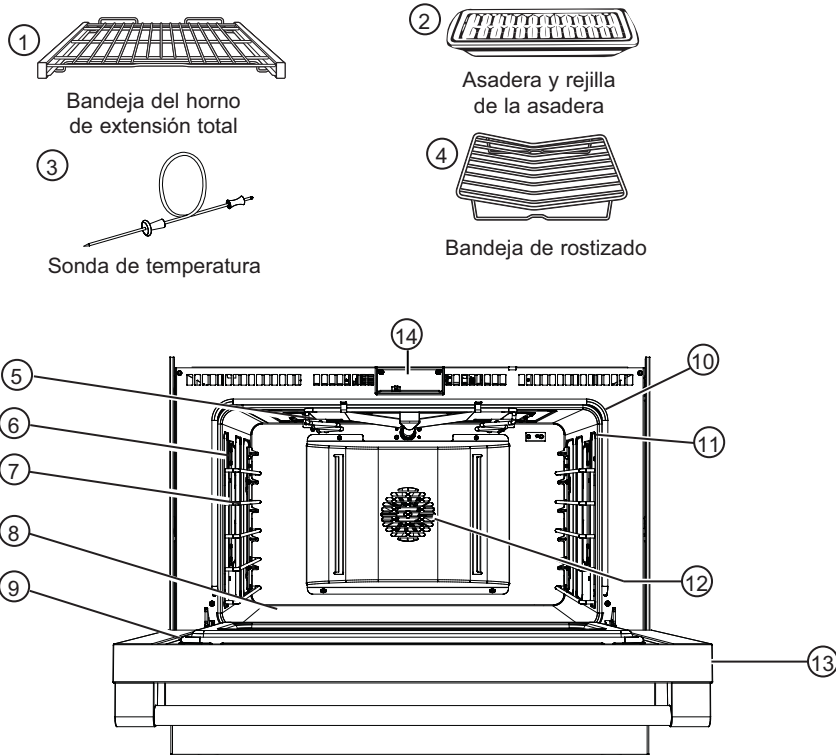
Alimento	Configuración de temperatura
Panqueques	375°F
Hamburguesas	400°F
Tocino*	400°F
Queso asado	350°F
Huevos	275°F

***NOTA:** Coloque el tocino sobre una plancha fría. No la precaliente.

UTILIZANDO LA ESTUFA

CARACTERÍSTICAS DE SU HORNO

NOTA: No todas las características se encuentran en todos los modelos.

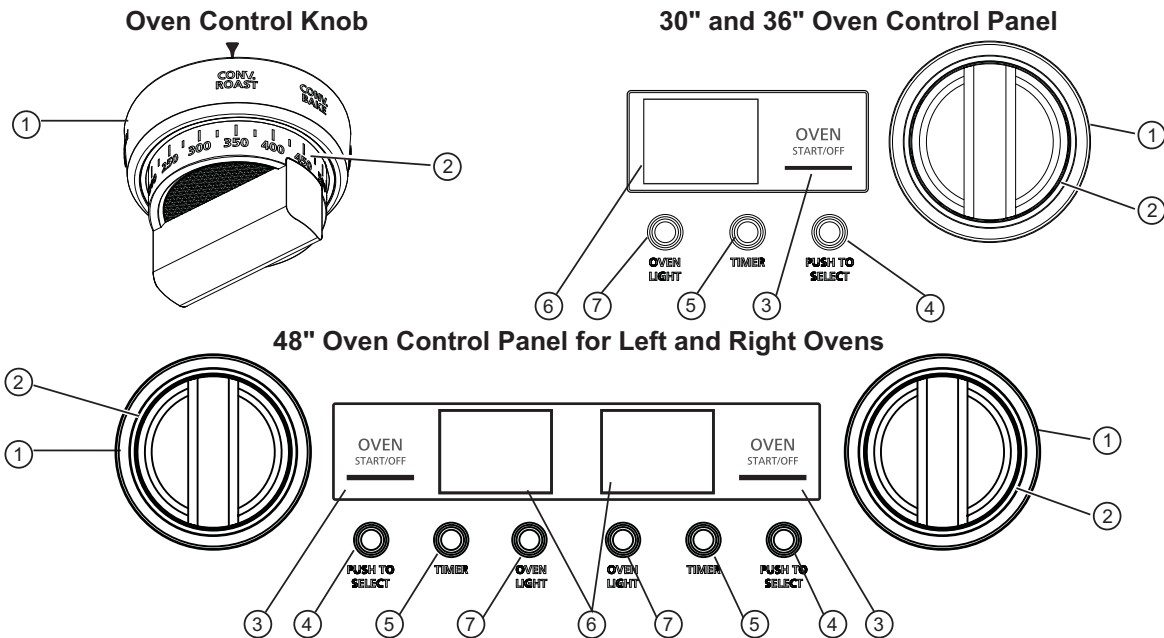


	Índice de Características	Página
1	Bandeja(s) del horno de extensión total — 3 en el horno (horno derecho en modelos de 48") — 2 en el horno izquierdo	20, 21, 36
2	Asadera y rejilla de la asadera- 1en el horno (horno derecho en modelos de 48"), 1 pequeña en el horno izquierdo	25, 33
3	Sonda de temperatura	28, 29, 36
4	Bandeja de rostizado	25, 33
5	Sistema para asar	
6	Columnas del Horno con Luz Halógena	38
7	Soportes de la bandeja del horno — 5 posiciones en el horno (horno derecho en modelos de 48") — 4 posiciones en el horno izquierdo	20, 21, 36
8	Quemador para Hornear Oculto (debajo del piso del horno)	
9	Junta de la puerta del horno	35
10	Junta del armazón del horno	35
11	Salida de la sonda de temperatura — lado derecho en el horno (horno derecho en modelos de 48") — lado izquierdo en el horno izquierdo	38, 29
12	Ventilador de Convección	22, 24
13	Puerta de Horno de Cierre Suave	37
14	Traba de la Puerta del Horno Automático	

NOTA: Los modelos con horno pequeño tienen las mismas características de un horno grande.

UTILIZANDO LA ESTUFA

CARACTERÍSTICAS DEL CONTROL DEL HORNO Y DEL TEMPORIZADOR



1 Selector de modo del horno – Gire el anillo exterior para elegir:

Modos de Cocción Tradicionales: Su horno cuenta con los siguientes modos de cocción tradicionales: Bake (Hornear), y Broil (Asar).

Modos de Cocción por Convección: El modo de cocción por convección utiliza una circulación de aire incrementada para mejorar el rendimiento.

Calentar: El modo Warm (Calentar) fue diseñado para mantener las comidas calientes en una temperatura más alta hasta durante 3 horas.

Leudar: El modo Proof (Leudar) mantiene el ambiente caliente para leudar masa fermentada a base de levadura. Para más información, consulte la sección de Modos del Horno.

Limpiar: Seleccione esta función para activar la limpieza automática y la limpieza con vapor. Consulte la sección de Cuidado y Limpieza de este manual.

2 Perilla de temperatura del horno – Gire para seleccionar: Temperaturas de 175°F a 550°F.

LOW BROIL (asado baja) – Se configura automáticamente una temperatura de asado menor.

HIGH BROIL (asado alta) – Se configura automáticamente una temperatura de asado mayor.

CLEAN (limpieza) – La temperatura de limpieza se configura de forma automática.

La perilla iluminada del horno parpadea de color anaranjado durante el precalentamiento y queda fija de color anaranjado cuando el horno es precalentado. A continuación figuran los

Color Iluminado	Modo del Horno
Azul	Aplicación
Blanco	Limpieza con Vapor
Rojo	Falla
Anaranjado	Hornear/ Asar
Amarillo	Calentar
Sin Luz	Apagado

colores correspondientes a las perillas del horno iluminadas para cada Modo de Horno.

A través de la aplicación están disponibles opciones de color personalizadas para la perilla y la iluminación de las tareas.

3 Botón de Pantalla – Se deberá presionar para iniciar cualquier cocción o función de limpieza. Cancela TODAS las operaciones del horno excepto el temporizador.

4 Mini Perilla – Gírela para seleccionar y presione para ingresar las configuraciones PROBE (sonda) o TIMER (temporizador). Presione la Mini Perilla cuando la pantalla se encuentre inactiva para acceder a menús más detallados de funciones adicionales. Para más información, consulte la sección de Configuraciones.

5 Botón del temporizador – Presione el mismo para seleccionar la función del temporizador de estufa que funciona como temporizador con cuenta regresiva. El horno continuará funcionando cuando la cuenta regresiva del temporizador se haya completado. Gire para seleccionar y presione este botón para ingresar a las configuraciones de TIMER (Temporizador).

NOTA: El temporizador no se puede usar mientras el horno esté realizando la limpieza automática. (En los modelos con horno doble, se podrá usar el temporizador del horno que no se encuentre en el modo de limpieza automática).

6 Pantalla del horno – Muestra las funciones del horno tales como las temperaturas del horno y de la sonda y el temporizador de estufa.

7 Luz del Horno – Presione esta función para **ENCENDER y APAGAR** la Luz del Horno.

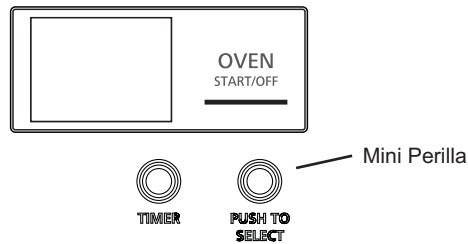
El selector de modo del horno (1) Y la perilla de temperatura del horno (2) deben configurarse juntos en uno de los siguientes pares válidos:

Selector de modo del horno	Perilla de temperatura del horno
BAKE (horneado)	175° to 550°F
CONV BAKE (horneado por convección)	175° to 550°F
CONV ROAST (convección/rostitado)	175° to 550°F
CONV BROIL (Asar por Conv)	HIGH (alta) o LOW BROIL (asado baja)
BROIL (asado)	HIGH (alta) o LOW BROIL (asado baja)
WARM (calentar)	—
PROOF (leudado)	—
CLEAN (limpieza)	CLEAN (limpieza)

Una vez seleccionados el Modo y la temperatura, presione el botón de la pantalla del horno **START/OFF** (Iniciar/ Apagar) para ENCENDER o APAGAR el horno.

Para cancelar una función, presione el botón de la pantalla del horno **START/OFF** (Iniciar/ Apagar).

UTILIZANDO LA ESTUFA



Temporizador

NOTA: El temporizador es independiente de todas las otras funciones y no controla el horno.

Para configurar el temporizador:

1. Presione el botón **TIMER (temporizador)**.
2. Gire la **Mini Perilla** para ajustar cualquier período de tiempo de hasta 12 horas y presiónela para seleccionarlo.

En los modelos de horno doble, cada control del horno cuenta con su propia función de temporizador. Cada temporizador puede configurarse en forma independiente.

El control emitirá un pitido cuando quede 1 minuto de tiempo restante y la pantalla mostrará los segundos hasta que el temporizador haga la cuenta regresiva hasta :00. Cuando el temporizador alcance :00, el control emitirá 3 pitidos seguidos de 1 pitido cada 6 segundos hasta que se presione la **Mini Perilla**.

Para cancelar el temporizador:

Presione y mantenga presionada la **Mini Perilla** durante 3 segundos.

UTILIZANDO LA ESTUFA

CONFIGURACIONES

La Mini perilla abre menús más detallados en la pantalla, que permiten acceso a funciones adicionales. Para cada configuración, usted selecciona la función de la pantalla presionando y girando la Mini Perilla. Presione la Mini Perilla para seleccionar la opción. Usted puede abandonar la función en cualquier momento, seleccionando Back (Atrás) en la pantalla.

Conexión WiFi y Acceso Remoto

Su estufa de está diseñado para brindarle una comunicación recíproca entre su electrodoméstico y dispositivos inteligentes. Mediante el uso de las funciones WiFi Connect, usted podrá controlar funciones esenciales de su estufa tales como las configuraciones de temperatura, temporizadores y modos de cocción, utilizando su teléfono inteligente o tableta*.

Seleccione las **Settings** y luego **WiFi** – siga las instrucciones de la pantalla de su estufa y de la aplicación de su teléfono. Es necesario activar la función WiFi antes de usar Remote Enable en su estufa.

Consulte la sección de Conexión de su Estufa con Wifi Activado, en la página 9, para acceder al proceso completo sobre cómo conectar la estufa.

Bluetooth® - Chef Connect

Se trata de una función de emparejamiento para uso con otros productos compatibles con **Chef Connect**, tales como un estufa microondas para uso sobre la estufa o una campana de estufa. A fin de emparejar estos productos a la estufa, presione la tecla Mini Knob (Mini Perilla) y seleccione Bluetooth®. Seleccione **Pair** y siga las instrucciones correspondientes incluidas con el producto de emparejamiento permitido por Chef Connect. La estufa cancelará el modo de emparejamiento luego de dos minutos, si no es detectado ningún dispositivo para emparejar. Seleccione **Remove** para confirmar que el producto está emparejado o para desemparejar el mismo de su estufa.

Auto Conv (Conversión Automática)

Al usar las opciones de cocción Convection Bake o Convection Roast, Auto Recipe Conversion convertirá de forma automática las temperaturas de horneado regular ingresadas a temperaturas de cocción de horneado por convección cuando se active. Se debe observar que esta opción no convierte los tiempos de cocción del horneado por convección, sino sólo las temperaturas. Esta función podrá ser encendida o apagada. Presione y gire la **Mini Perilla** para seleccionar AUTO CONVERT (Conversión Automática), y luego siga las instrucciones para activar o desactivar esta función.

Auto Off (Apagado Automático)

Esta función apaga el estufa luego de 12 horas de funcionamiento continuo. Podrá estar activada o desactivada. Presione y gire la **Mini Perilla** para seleccionar 12HR SHUTOFF (Apagado en 12 Hrs.), a fin de activar o desactivar esta función.

Sound (Sonido)

Podrá ajustar el volumen y el tipo de alerta que su dispositivo utilice. Presione y gire la **Mini Perilla** para seleccionar SOUND (Sonido). Siga las instrucciones para realizar ajustes de volumen o para cambiar entre tonos de alerta continuos o simples. Una configuración continua seguirá haciendo que un tono suene hasta que se presione un botón del control. El volumen del tono del estufa podrá ser ajustado. El control hará que el tono del estufa suene en el nuevo nivel de volumen cada vez que el nivel de sonido sea modificado.

F/C (Fahrenheit o Celsius)

El control del estufa está configurado para su uso con temperaturas Fahrenheit (F), pero puede ser modificado a temperaturas Celsius (C). Presione y gire la **Mini Perilla** para seleccionar **TEMP UNIT** (Unidad de Temp.). Seleccione F/C para alternar entre las escalas de temperatura exhibidas.

*Se requiere el uso de dispositivos compatibles con Apple o Android y una red Wi-Fi hogareña.

UTILIZANDO LA ESTUFA

CONFIGURACIONES (cont.)

Ajuste del Termostato del Horno

Esta función permite que la temperatura de horneado del horno sea ajustada hasta 35° más caliente o 35° más fría. Use esta función si considera que la temperatura de su horno está demasiado caliente o demasiado fría y desea modificarla. Este ajuste afecta cada modo de cocción excepto para asar.

1. Gire la **Mini Perilla** y presione la misma para seleccionar **ADJUST TEMP.** (Ajuste de Temp.).
2. Gire la **Mini Perilla** nuevamente para seleccionar el termostato del horno que desee ajustar y presione la misma para realizar la selección.
3. Gire la **Mini Perilla** para ajustar el termostato del horno hasta 35° más caliente o (-) 35° más frío por incrementos de 1°.

Oven Info (Información del Horno)

Seleccione **Settings (Configuraciones)**, **More (Más)**, y **Oven Info (Información del Horno)** para activar o desactivar esta función. Esta configuración muestra el Número de Modelo y la Versión del Software.

Modelo y Número de Serie

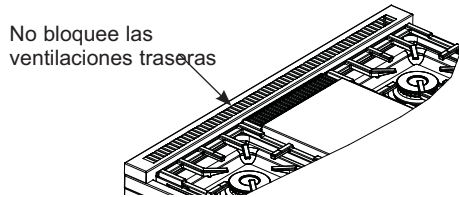
Presione y gire la **Mini Perilla** para seleccionar **MODEL SERIAL (Modelo y Serie)**, a fin de exhibir el modelo y el número de serie de su unidad.

UTILIZANDO LA ESTUFA

Ventilaciones de Aire del Horno

Nunca bloquee las ventilaciones (aberturas de aire) de la estufa. Las mismas brindan las entradas y salidas de aire que son necesarias para que la estufa se mantenga fresca y funcione de forma correcta con la combustión adecuada.

Las aberturas de aire se encuentran ubicadas en la parte trasera de la estufa, en la parte superior e inferior de la puerta del horno, y en la parte inferior de la estufa.

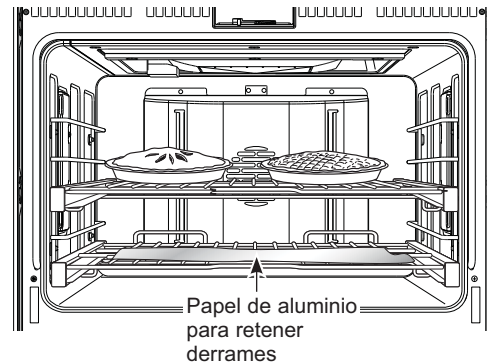


Papel de Aluminio y Cobertores del Horno

⚠ PRECAUCIÓN

No use ningún tipo de aluminio o cobertor de horno para cubrir el fondo del horno. Estos ítems pueden atrapar el calor o derretirse, ocasionando daños sobre el producto y el riesgo de descargas, humo o incendios. Los daños por uso inadecuado de estos ítems no están cubiertos por la garantía del producto.

Se podrá usar aluminio para evitar derrames, colocando una hoja sobre un estante inferior varias pulgadas debajo de la comida. No use más aluminio que el necesario y nunca cubra totalmente el estante de un horno con papel de aluminio. Mantenga el aluminio a por lo menos 1 1/2" de las paredes del horno, para evitar una circulación deficiente del calor.



ANTES DE COMENZAR

⚠ PRECAUCIÓN

Para evitar posibles quemaduras, coloque las bandejas en la posición correcta antes de encender el horno.

En la Guía de Cocción se brindan recomendaciones de posiciones de los estantes para diferentes tipos de comidas. Ajustar la posición del estante es una forma de afectar los resultados de cocción. Por ejemplo, si se prefieren partes superiores más oscuras en tartas, panecillos o galletas, pruebe moviendo la comida a un estante que se encuentre una posición más arriba. Si encuentra que las comidas están demasiado doradas en la parte superior, pruebe moviendo las mismas más abajo la próxima vez.

Al hornear con múltiples bandejas y en múltiples estantes, asegúrese de que haya por lo menos 1 1/2" entre las bandejas, a fin de dejar suficiente espacio para que fluya el aire.

Es posible que su horno cuente con estantes extensibles y/o estantes planos tradicionales.

Para acceder a recomendaciones sobre posiciones de estantes, consulte las secciones de la Guía de Cocción y Modos del Horno.

Bandejas del horno de extensión total

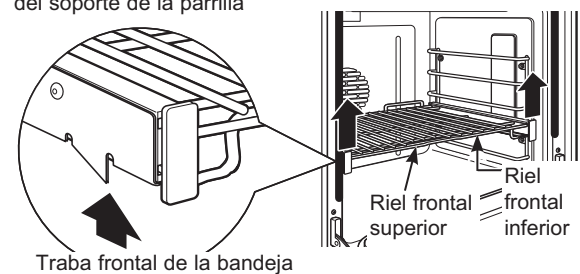
Las bandejas cuentan con un armazón que bloquea los soportes sobre ambos lados. Una vez que el armazón se encuentra bloqueado en su lugar, siempre tire de la bandeja hacia fuera, de su riel frontal superior, hasta su posición de extensión total, cuando coloque o quite recipientes de cocción.

Cómo colocar y quitar bandejas del horno

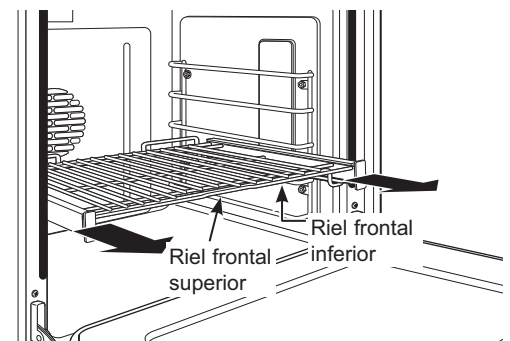
Para quitar una bandeja:

1. Asegúrese de empujar la bandeja hasta el fondo del horno.
2. Tome la bandeja desde el riel frontal superior y su riel frontal inferior y levántela hacia arriba para desbloquear las trabas de los soportes de la parrilla.

Levante para desbloquear las trabas de la bandeja frontal del soporte de la parrilla



3. Sosteniendo firmemente los rieles de las bandejas frontales superior e inferior, tire de la parrilla hacia adelante y quítela del horno.

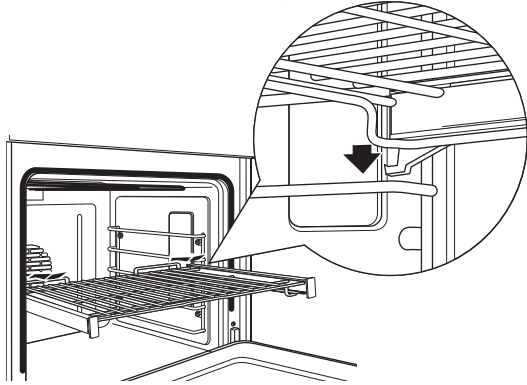


UTILIZANDO LA ESTUFA

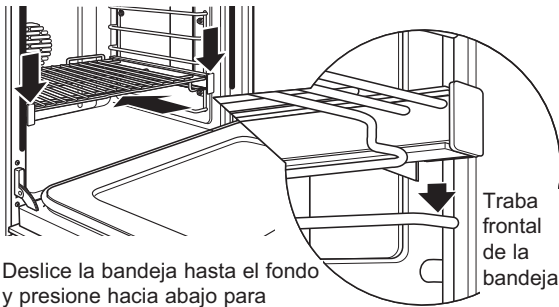
ANTES DE COMENZAR (Cont.)

Para reemplazar una bandeja:

1. Coloque las trabas traseras de la bandeja sobre y dentro de los soportes de la parrilla (hay cinco posiciones de parrilla incluyendo la posición superior).



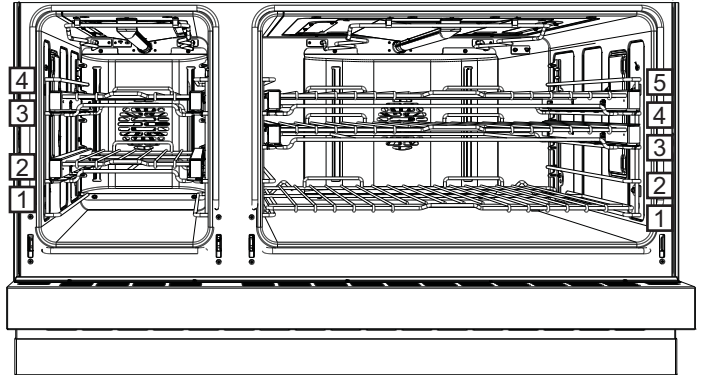
2. Deslice la bandeja hacia el fondo hasta que las trabas traseras de la parrilla se encuentren en los soportes de la parrilla y presione las trabas frontales de la parrilla dentro de los soportes frontales de la parrilla.



Deslice la bandeja hasta el fondo y presione hacia abajo para bloquear las trabas frontales dentro de los soportes frontales

3. Tire la bandeja hacia afuera por completo para verificar que se halle bien enganchada. Si resulta difícil reemplazar o retirar los estantes extensibles, limpie los soportes de los estantes del horno con aceite de estufa. No quite el aceite de estufa del espacio de deslizamiento.

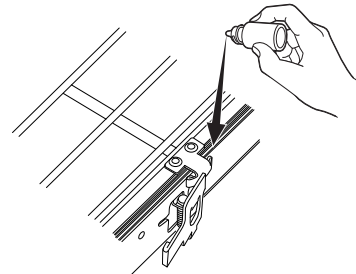
Es posible que resulte difícil deslizar los estantes, especialmente luego de un ciclo de limpieza automática. Para mejorar las condiciones de deslizamiento, use una tela suave o una toalla de papel para frotar aceite vegetal sobre los extremos izquierdo y derecho de los estantes y/o sobre los soportes del estante.



NOTA: Retire los estantes en desuso al usar el horno para un precalentamiento más rápido, mayor eficiencia y un rendimiento óptimo de la cocción.

Para lubricar la palanca:

Agite y aplique el lubricante sobre las partes móviles de los mecanismos de la palanca como se muestra:



UTILIZANDO LA ESTUFA

MODOS DE COCCIÓN DEL HORNO

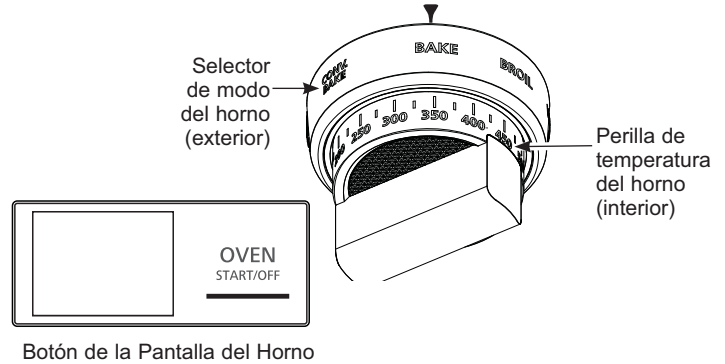
Su nuevo horno posee una variedad de modos de cocción para que pueda obtener los mejores resultados. Estos modos se describen a continuación. Consulte en la sección de la Guía de Cocción sobre posiciones de estantes recomendadas y otros consejos para usar estos modos. Coloque los estantes en la posición(es) deseada antes de iniciar el horno.

Para algunos modos de cocción, tales como Bake (Hornear), Convection Bake (Hornear por Convección), y Convection Roast (Dorar por Convección), el horno realizará un precalentamiento y sonará un tono cuando éste se encuentre listo para cocinar. Algunos modos de cocción no requieren precalentamiento. A fin de reducir los tiempos del precalentamiento, retire estantes que no se usen y evite abrir la puerta del horno hasta que suene el tono de precalentamiento.

Mientras se encuentre en uso, los calentadores del horno y el ventilador de convección realizarán ciclos de encendido y apagado según sea necesario, a fin de mantener las

condiciones de cocción adecuadas. Evite la apertura frecuente de la puerta del horno, ya que esto podrá impactar en los tiempos y en el rendimiento de la cocción.

NOTA: Se encenderá un ventilador de refrigeración para enfriar las piezas internas. Esto es normal, y el ventilador puede continuar funcionando aún después de apagado el horno.



HORNEADO

El modo Bake (Hornear) fue diseñado para la cocción en un solo estante. Al preparar comidas horneadas tales como tortas, galletas y masas, siempre precaliente el horno primero.

Cómo configurar el horno para hornear

1. Gire el selector del modo del horno a **BAKE (hornear)**.
2. Utilizando la perilla de temperatura del horno, configure la temperatura deseada, incrementando la temperatura en unidades de 25°F, de 175°F a 550°F.
3. Una vez seleccionados Bake Mode (Modo de Hornear) y la temperatura, presione el botón de la pantalla del horno **START/OFF** (Iniciar/ Apagar) para **ENCENDER** el horno.

El horno comenzará a precalentarse. La pantalla de temperatura comenzará en 100°F.

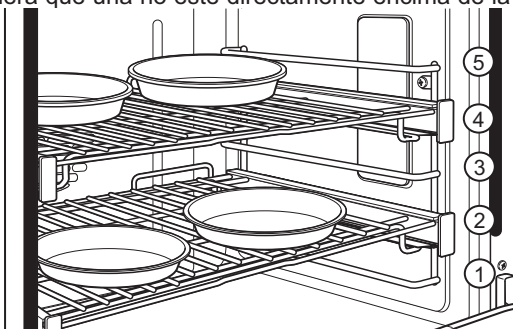
El tono de precalentamiento sonará cuando el horno se encuentre precalentado y la comida pueda ahora ser colocada dentro del mismo.

4. Presione el botón de la pantalla del horno **START/OFF** (Encender/ Apagar) para **APAGAR** el horno una vez finalizado el horneado.

Utilice la sonda de temperatura cuando resulte importante una temperatura interna precisa. Para más información, consulte la sección de la Sonda de Temperatura.

Para obtener mejores resultados al hornear tortas de 4 capas, coloque cuatro bandejas usando los estantes 2 y 4. Monte las bandejas de manera que una no esté directamente encima de la otra, como se muestra arriba.

Para acceder a información sobre cómo usar, retirar y volver a colocar estantes, consulte la sección de estantes del horno.



GUÍA PARA HORNEAR

TIPO DE COMIDA	POSICIÓN(ES) RECOMENDADA DEL ESTANTE ABIERTO (modelos de 48" únicamente)	POSICIÓN(ES) RECOMENDADA DEL ESTANTE DEL HORNO U HORNO DERECHO (modelos de 48" únicamente)
Tortas con capas, tortas rectangulares, pastel de bundt, pan rápido en un solo estante	2	2 o 3
Tortas con capas en múltiples estantes	-	2 y 4
Tortas de grasa (pastel de ángel)	1	1
Galletas, galletitas, bizcochitos, muffins en un solo estante	2	2 o 3
Panes de levadura	2	2 o 3
Dorados	2	2 o 3
Pollo entero	2	2 o 3
Pechugas con huesos, patas, muslos	2	2 o 3
Pechugas de pollo deshuesadas	2	2 o 3
Pavo entero	-	1 o 2
Pechuga de pavo	1 o 2	2 o 3
Cazuelas	2 o 3	2 o 3
Pizza en un solo estante	2	2 o 3
Productos con papa, patatas, entradas en un solo estante	2	2 o 3
Vegetales	2 o 3	3 o 4

Las posiciones de estantes sugeridas deben utilizarse como una guía general. Experimente con estas posiciones mediante alimentos específicos y preferencia personal.

UTILIZANDO LA ESTUFA

ASADO

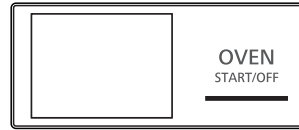
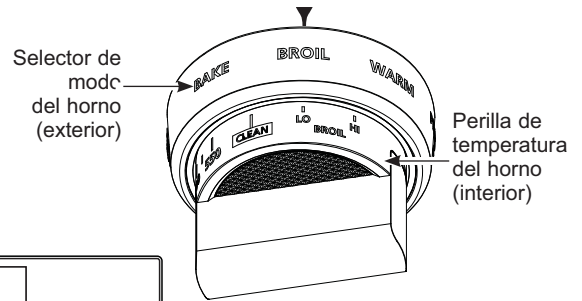
Los modos para Asar fueron diseñados para soasar y generar coberturas crocantes. Siempre ase con la puerta del horno cerrada. Monitoree la comida de cerca al asar. Tenga cuidado al asar en estantes de posiciones superiores, ya que colocar la comida más cerca del quemador para asar incrementa el humo, salpicaduras y la posibilidad de que se incendien las grasas.

Intente asar las comidas que normalmente haría a la parrilla. Ajuste las posiciones de los estantes para ajustar la intensidad del calor a la comida. Coloque las comidas más cerca del quemador para asar, cuando se desee una superficie más cocinada y un interior poco cocido. Las comidas más gruesas y aquellas que se deben cocinar completamente se deberán asar en un estante de una posición más baja o usando una configuración para asar más baja.

Use Broil High (Asado Alto) para cortes más finos de carne y/o cuando desee lograr una superficie soasada y un interior jugoso. Use la función Broil Low (Asado Bajo) para cortes de carne más gruesos y/o comidas que desee que queden completamente cocinadas. No es necesario precalentar al usar los modos para asar; sin embargo, se recomienda precalentar entre 5 y 10 minutos para obtener mejores resultados al soasar.

Cómo configurar el horno para asar

1. Gire el selector de modo del horno a **BROIL (asado)**.
2. Gire la perilla de temperatura del horno a **LO BROIL (asado baja)** o **HI BROIL (asado alta)**. Aparecerán en la pantalla **LO (baja)** o **HI (alta)**.
3. Una vez seleccionados Broil Mode (Modo Asar) y la configuración, presione el botón de la pantalla del horno **START/OFF** (Iniciar/ Apagar) para **ENCENDER** el horno.



Botón de la Pantalla del Horno

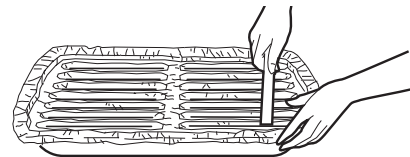
NOTA: Siempre ase con la puerta cerrada. Si la puerta se deja abierta, la pantalla exhibirá "CLOSE DOOR" (Cerrar la Puerta). y los elementos no se encenderán hasta que se cierre la puerta.

4. Presione el botón de la pantalla del horno **START/OFF** (Encender/ Apagar) para **APAGAR** el horno cuando se termine de asar.

NOTA: La función Broil (Asar) no se podrá iniciar si la sonda de temperatura está enchufada. Nunca deje la sonda dentro del horno durante un ciclo de asado.

Papel De Aluminio

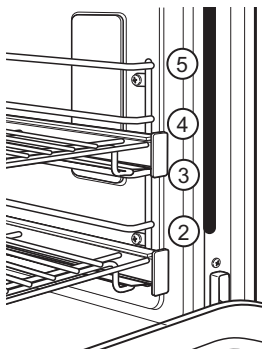
Usted puede usar papel de aluminio para cubrir la asadera y la rejilla. Sin embargo, debe ajustarse bien el papel de aluminio a la rejilla, y efectuarse cortes siguiendo la forma de la misma.



GUÍA DE ASADO

Las posiciones de estantes sugeridas deben utilizarse como una guía general. Experimente con estas posiciones con alimentos específicos y preferencia personal.

El tamaño, peso, grosor, temperatura inicial y el punto de cocción preferido afectarán los tiempos de asado. Esta guía está basada en carnes con temperatura de refrigerador.



NOTA: En general, las posiciones más altas de la bandeja dan como resultado un sellamiento externo de los alimentos mientras que las posiciones más bajas dan como resultado en un nivel de cocción más completo.

TIPO DE COMIDA	CONFIGURACIÓN	POSICIÓN(ES) RECOMENDADA DEL ESTANTE ABIERTO (modelos de 48" únicamente)	POSICIÓN(ES) RECOMENDADA DEL ESTANTE DEL HORNO U HORNO DERECHO (modelos de 48" únicamente)
Hamburguesas	ALTO	3 o 4	4 o 5
Bifes y Chuletas	ALTO	3 o 4	4 o 5
Pescado	BAJO	3 o 4 (Grosor de 1/2 pulgada o menos) 2 o 3 (>1/2 pulgada)	4 o 5 (Grosor de 1/2 pulgada o menos) 3 o 4 (>1/2 pulgada)
Pechugas con huesos, patas, muslos	BAJO	2	2 o 3
Pechugas de pollo deshuesadas	BAJO	2	2 o 3
Vegetales	BAJO	2 o 3	3 o 4

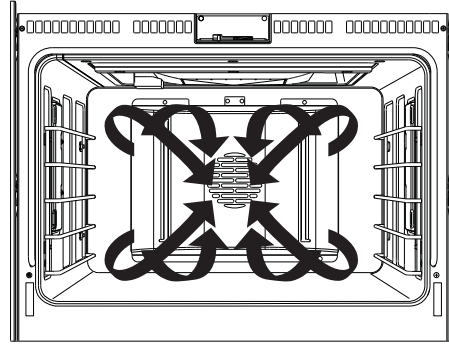
El Ministerio de Agricultura de los EE.UU. afirma que "la carne vacuna jugosa es muy popular, pero debe saberse que al cocinarla a sólo 140°F algunos organismos que provocan intoxicación pueden sobrevivir". (Fuente: Safe Food Book. Your Kitchen Guide. USDA Rev. Junio 1985).

UTILIZANDO LA ESTUFA

COCCIÓN POR CONVECCIÓN

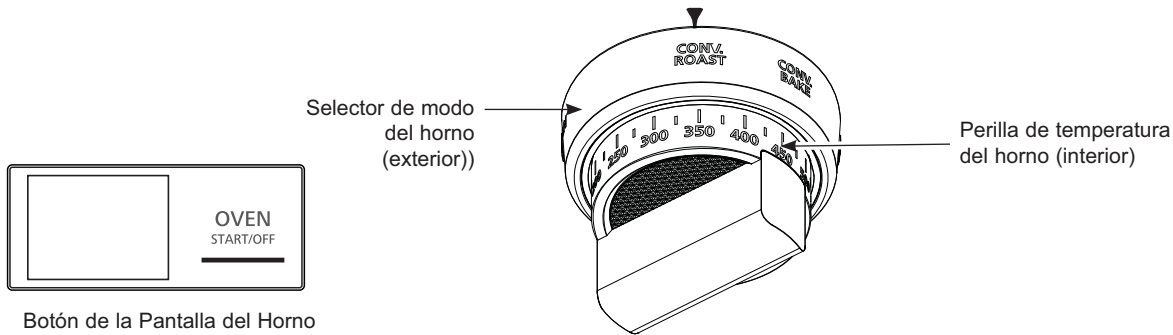
Estos modos utilizan Precise Air (Aire Preciso) para una cocción más pareja, mejorar dorados y/o reducir los tiempos de cocción.

NOTA: El ventilador por convección se apaga cuando se abre la puerta de horno.



HORNEADO POR CONVECCIÓN

El modo Convection Bake Multi Rack (Hornear por Convección en Estantes Múltiples) fue diseñado para hornear en múltiples estantes al mismo tiempo. Este modo usa Precise Air (Aire Preciso) para una cocción más pareja. El horno está equipado con la función Auto Recipe Conversion (Conversión de Receta Automática); de modo que no es necesario ajustar la temperatura al usar este modo. Siempre realice el precalentamiento al usar este modo. Es posible que los tiempos de cocción sean un poco más prolongados con estantes múltiples, en comparación con lo que se espera con un solo estante.



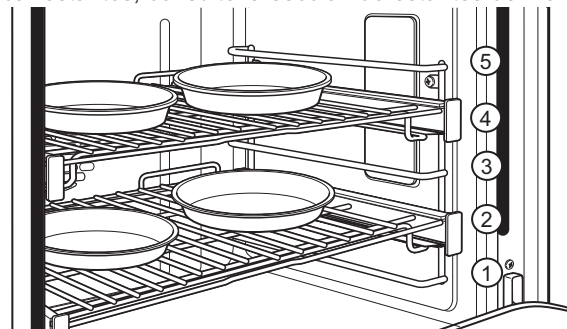
Cómo Configurar el Horno para el Horneado por Convección en Estantes Múltiples

1. Gire el selector de modo del horno a **CONV BAKE (horneado por convección)**.
2. Utilizando la perilla de temperatura del horno, configure la temperatura deseada, incrementando la temperatura en unidades de 25°F, de 175°F a 550°F.
3. Una vez seleccionados Convection Mode (Modo de Convección) y la temperatura, presione el botón de la pantalla del horno **START/OFF (Iniciar/ Apagar)** para ENCENDER el horno.
4. Presione el botón de la pantalla del horno **START/OFF (Encender/ Apagar)** para APAGAR el horno una vez finalizado el horneado por convección.

Utilice la sonda de temperatura cuando resulte importante una temperatura interna precisa. Para más información, consulte la sección de la Sonda de Temperatura.

Para obtener mejores resultados al hornear tortas de 4 capas, coloque cuatro bandejas usando los estantes 2 y 3. Las tortas deberán estar centradas desde el frente hacia la parte trasera en ambos estantes.

Para acceder a información sobre cómo usar, retirar y volver a colocar estantes, consulte la sección de estantes del horno.



Las posiciones de estantes sugeridas deben utilizarse como una guía general. Experimente con estas posiciones para alimentos específicos y preferencia personal.

El horno comenzará a precalentarse. La pantalla de temperatura comenzará en 100°F.

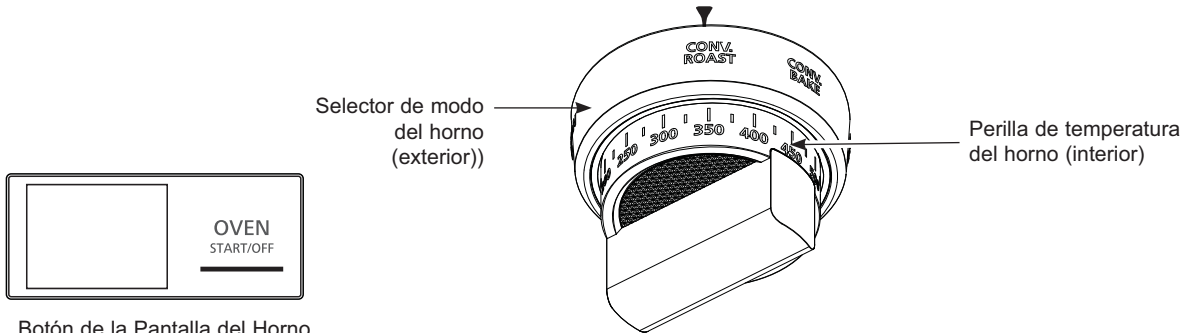
El tono de precalentamiento sonará cuando el horno se encuentre precalentado y la comida pueda ser colocada dentro del mismo.

TIPO DE COMIDA	POSICIÓN(ES) RECOMENDADA DEL ESTANTE ABIERTO (modelos de 48" únicamente)	POSICIÓN(ES) RECOMENDADA DEL ESTANTE DEL HORNO U HORNO DERECHO (modelos de 48" únicamente)
Tortas con capas en múltiples estantes	-	2 y 4
Galletas, galletitas, bizcochitos, muffins en múltiples estantes	2 y 3	2 y 4 1, 3, y 5
Pizza en múltiples estantes	-	2 y 4
Productos con papa, patitas de pollo, entradas en múltiples estantes	2 y 3	2 y 4

UTILIZANDO LA ESTUFA

ASADO POR CONVECCIÓN

El modo Convection Roast (Dorado por Convección) fue diseñado para dorar vegetales y cortes enteros de carne en un solo estante. Este modo usa Precise Air (Aire Preciso) para mejorar el dorado y reducir el tiempo de cocción. Controle la comida antes del tiempo sugerido en la receta. No es necesario realizar el precalentamiento al usar este modo.



Cómo configurar el horno para horneado o rostizado por convección

1. Gire el selector de modo del horno a **CONV ROAST (rostizado por convección)**.
2. Utilizando la perilla de temperatura del horno, configure la temperatura deseada, incrementando la temperatura en unidades de 25°F, de 175°F a 550°F.
3. Una vez seleccionados Convection Mode (Modo de Convección) y la temperatura, presione el botón de la pantalla del horno **START/OFF (Iniciar/ Apagar)** para ENCENDER el horno.

El horno comenzará a precalentarse. La pantalla de temperatura comenzará en 100°F.

El tono de precalentamiento sonará cuando el horno se encuentre precalentado y la comida pueda ser colocada dentro del mismo.

4. Presione el botón de la pantalla del horno **START/OFF (Encender/ Apagar)** para APAGAR el horno una vez finalizado el horneado por convección.

Utilice la sonda de temperatura cuando resulte importante una temperatura interna precisa. Para más información, consulte la sección de la Sonda de Temperatura.

Para acceder a información sobre cómo usar, retirar y volver a colocar estantes, consulte la sección de estantes del horno.

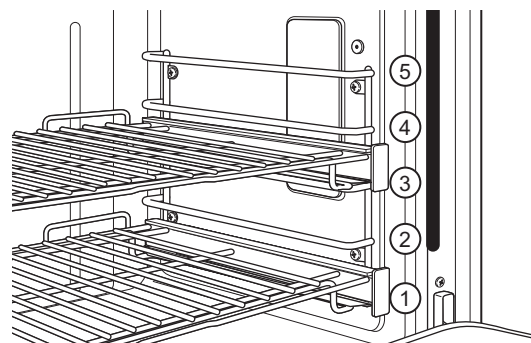
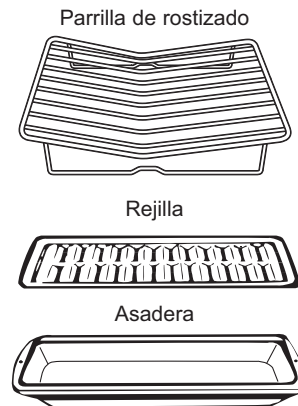
TIPO DE COMIDA	POSICIÓN(ES) RECOMENDADA DEL ESTANTE ABIERTO (modelos de 48" únicamente)	POSICIÓN(ES) RECOMENDADA DEL ESTANTE DEL HORNO U HORNO DERECHO (modelos de 48" únicamente)
Dorados	2	2 o 3
Pollo entero	2	2 o 3
Pavo entero	-	1 o 2
Pechuga de pavo	-	2
Productos con papa, patitas de pollo, entradas en un solo estante	2	2 o 3
Vegetales	2 o 3	3

Las posiciones de estantes sugeridas deben utilizarse como una guía general. Experimente con estas posiciones para alimentos específicos y preferencia personal.

Consejos de rostizado por convección

Use la bandeja para asar, la rejilla y el estante para dorar para obtener mejores resultados al dorar cortes de carne grandes. Use la bandeja para asar al dorar vegetales. Use la bandeja para asar y la rejilla al dorar cortes de carne pequeños.

Para realizar el ensamble, coloque la carne sobre la parrilla de rostizado.



UTILIZANDO LA ESTUFA

ASADO POR CONVECCIÓN

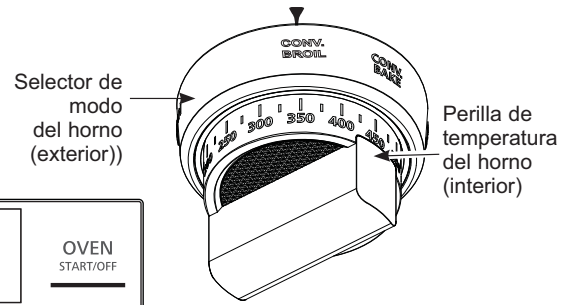
Los modos de Convection Broil (Asar por Convección) fueron diseñados para soasar y generar coberturas crocantes. Siempre ase con la puerta del horno cerrada. Monitoree la comida de cerca al asar. Tenga cuidado al asar en estantes de posiciones superiores, ya que colocar la comida más cerca del quemador para asar incrementa el humo, salpicaduras y la posibilidad de que se incendien las grasas.

Intente asar las comidas que normalmente haría a la parrilla. Ajuste las posiciones de los estantes para ajustar la intensidad del calor a la comida. Coloque las comidas más cerca del quemador para asar, cuando se desee una superficie más cocinada y un interior poco cocido. Las comidas más gruesas y aquellas que se deben cocinar completamente se deberán asar en un estante de una posición más baja o usando una configuración para asar más baja.

Los modos de Convection Broil (Asar por Convección) utilizan el calentador para asar junto con el movimiento del aire para mejores soasados y dorados. Use Convection Broil High (Asado por Convección Alto) para cortes más finos de carne y/o cuando desee lograr una superficie soasada y un interior jugoso. Use la función Convection Broil Low (Asado por Convección Bajo) para cortes de carne más gruesos y/o comidas que desee que queden completamente cocinadas. No es necesario precalentar al usar los modos de Convection Broil (Asar por Convección); sin embargo, se recomienda precalentar entre 5 y 10 minutos para obtener mejores resultados al soasar.

Cómo Configurar el Horno para Asar por Convección

1. Gire el selector de modo del horno a **CONV BROIL**. (Asar por Convección).
2. Utilizando la perilla de temperatura del horno, configure la temperatura deseada, incrementando la temperatura en unidades de 25°F, de 175°F a 550°F.
3. Una vez seleccionados Convection Mode (Modo de Convección) y la temperatura, presione el botón de la pantalla del horno **START/OFF** (Iniciar/ Apagar) para ENCENDER el horno.



Botón de la Pantalla del Horno

El horno comenzará a precalentarse. La pantalla de temperatura comenzará en 100°F.

El tono de precalentamiento sonará cuando el horno se encuentre precalentado y la comida pueda ser colocada dentro del mismo.

NOTA: Siempre ase con la puerta cerrada. Si la puerta se deja abierta, la pantalla exhibirá "CLOSE DOOR" (Cerrar la Puerta). y los elementos no se encenderán hasta que se cierre la puerta.

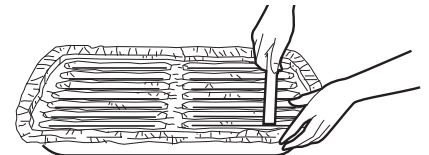
4. Presione el botón de la pantalla del horno **START/OFF** (Encender/ Apagar) para APAGAR el horno una vez finalizado el horneado por convección.

Para acceder a información sobre cómo usar, retirar y volver a colocar estantes, consulte la sección de estantes del horno.

NOTA: La función Broil (Asar) no se podrá iniciar si la sonda de temperatura está enchufada. Nunca deje la sonda dentro del horno durante un ciclo de asado.

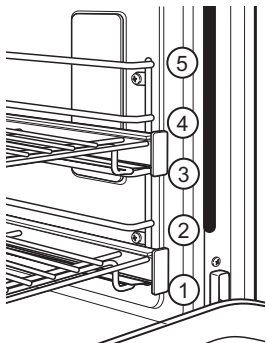
Papel De Aluminio

Usted puede usar papel de aluminio para cubrir la asadera y la rejilla. Sin embargo, debe ajustarse bien el papel de aluminio a la rejilla, y efectuarse cortes siguiendo la forma de la misma.



GUÍA DE ASADO POR CONVECCIÓN

Las posiciones de estantes sugeridas deben utilizarse como una guía general. Experimente con estas posiciones con alimentos específicos y preferencia personal.



NOTA: En general, las posiciones más altas de la bandeja dan como resultado un sellamiento externo de los alimentos mientras que las posiciones más bajas dan como resultado en un nivel de cocción más completo.

El tamaño, peso, grosor, temperatura inicial y el punto de cocción preferido afectarán los tiempos de asado. Esta guía está basada en carnes con temperatura de refrigerador.

TIPO DE COMIDA	CONFIGURACIÓN	POSICIÓN(ES) RECOMENDADA DEL ESTANTE ABIERTO (modelos de 48" únicamente)	POSICIÓN(ES) RECOMENDADA DEL ESTANTE DEL HORNO U HORNO DERECHO (modelos de 48" únicamente)
Hamburguesas	ALTO	3 o 4	4 o 5
Bifes y Chuletas	ALTO	3 o 4	4 o 5
Pescado	BAJO	3 o 4 (Grosor de ½ pulgada o menos) 2 o 3 (>1/2 pulgada)	4 o 5 (Grosor de ½ pulgada o menos) 3 o 4 (>1/2 pulgada)
Pechugas con huesos, patas, muslos	BAJO	2	2 o 3
Pechugas de pollo deshuesadas	BAJO	2	2 o 3
Vegetales	BAJO	2 o 3	3 o 4

El Ministerio de Agricultura de los EE.UU. afirma que "la carne vacuna jugosa es muy popular, pero debe saberse que al cocinarla a sólo 140°F algunos organismos que provocan intoxicación pueden sobrevivir". (Fuente: Safe Food Book. Your Kitchen Guide. USDA Rev. Junio 1985).

UTILIZANDO LA ESTUFA

CALENTAMIENTO

El modo Warm (Calentar) fue diseñado para mantener calientes las comidas calientes. Cubra las comidas que necesitan mantener la humedad y no cubra aquellas comidas que deban quedar crocantes. No se requiere precalentar las mismas. No use este modo para calentar comida fría excepto galletas crujientes, papas fritas o cereales secos. También se recomienda que la comida no se mantenga caliente por más de 2 horas.

Cómo Programar el Horno para Calentar

1. Gire el Selector del Modo del Horno a WARM (Calentar). La pantalla mostrará "WARM" (Calentar).
2. Una vez finalizado el calentamiento, gire el Selector del Modo del Horno a OFF (Apagar).

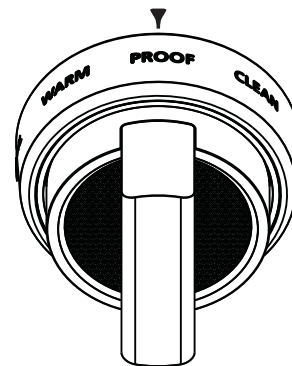
LEUDADO

El modo Proof (Leudar) mantiene el ambiente caliente para leudar masa fermentada a base de levadura. Para obtener mejores resultados, cubra la masa mientras realiza el leudado y haga un control anticipado para evitar un leudado excesivo.

Cómo configurar el horno para leudar

Use la posición 2 o 3 del estante del horno (Horno derecho en modelos de 48"). Use la posición 2 del estante del horno izquierdo.

1. Gire el selector de modo del horno a **PROOF (leudado)**. En la pantalla podrá verse "PROOF". El modo **PROOF** no funciona cuando el horno se encuentra por encima de los 125°F. La pantalla indicará "too hot to proof" (demasiado caliente para leudar). Deje enfriar el horno.
2. Cuando el leudado haya finalizado, gire el selector de modo del horno a **OFF**.



⚠ PRECAUCIÓN

No utilice el modo de leudado para calentar alimentos o para mantenerlos calientes. La temperatura de leudado del horno no es lo suficientemente caliente para conservar alimentos a temperaturas seguras.

COCCIÓN DE PRECISIÓN – Disponible en SmartHQ

Estos modos brindan orientación o algoritmos de cocción configurados previamente para ayudar al usuario en la cocción de diferentes tipos de comidas. La selección que usted realizó en el menú Precision Cooking (Cocción de Precisión) lo guiará para ingresar la información requerida como ayuda para cocinar su comida. Al final del tiempo de cocción estimado, controle que la comida esté hecha de acuerdo a su gusto. Observe que las diferencias en la forma de la comida, la preparación y las preferencias de terminación pueden afectar en el tiempo requerido para cocinar la comida.

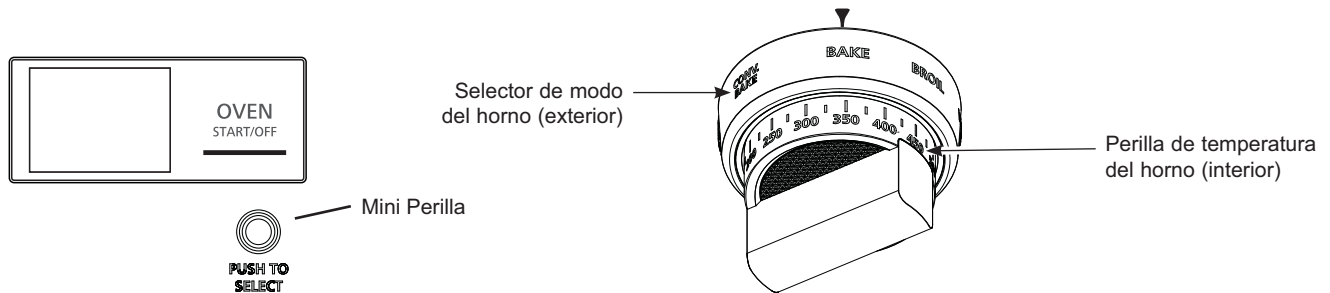
Algunos ciclos requieren que la sonda de temperatura de la comida sea suministrada con el horno. El temperatura específica para la sonda es configurada de forma automática en base a las selecciones realizadas para cada comida. Siempre controle las comidas usando un termómetro de comidas secundario, ya que el posicionamiento de la sonda puede impactar en la temperatura medida. [See the Temperature Probe section for more information.](#)

UTILIZANDO LA ESTUFA

SONDA DE TEMPERATURA

⚠ ADVERTENCIA

El consumo de comida semicruda puede hacer que se contraigan enfermedades producidas por la comida. Use la sonda de acuerdo con las siguientes instrucciones, a fin de asegurar que todas las partes de la comida alcancen temperaturas de cocción mínimamente seguras. Puede encontrar recomendaciones de temperaturas de cocción mínimamente seguras en foodsafety.gov o en IsItDoneYet.gov.



⚠ PRECAUCIÓN

Stilice agarraderas cuando introduzca o quite la sonda del horno caliente. Las áreas que rodean la entrada de la sonda pueden estar muy calientes.

La temperatura interna de la comida con frecuencia se usa como indicador de que está lista, especialmente al dorar o preparar carne de ave. El modo Probe (Sonda) monitorea la temperatura interna de la comida y apaga el horno cuando esta última alcanza la temperatura programada.

Siempre controle la temperatura en múltiples ubicaciones de la comida con un termómetro de comida luego de la cocción, a fin de asegurar que todas las partes de la comida hayan alcanzado la temperatura interior mínima segura para dicha comida.

La sonda se puede usar con los modos BAKE (Hornear), CONV BAKE (Hornear por Conv.) y CONV ROAST (Dorar por Conv.).

Cómo Programar el Horno para el Uso de la Sonda

1. Introduzca la punta de la sonda dentro de la parte más gruesa de la carne.
2. Coloque la bandeja en la posición deseada.
3. Configure los controles del horno. Gire el selector de modo del horno a **CONV BAKE (horneado por convección)**, **CONV ROAST (rostizado por convección)** o **BAKE (horneado)**. Gire la perilla de temperatura del horno a la temperatura de horno deseada, incrementando la temperatura en unidades de 25°F, de 175°F a 550°F. Deje que el horno se precaliente si fuese necesario.

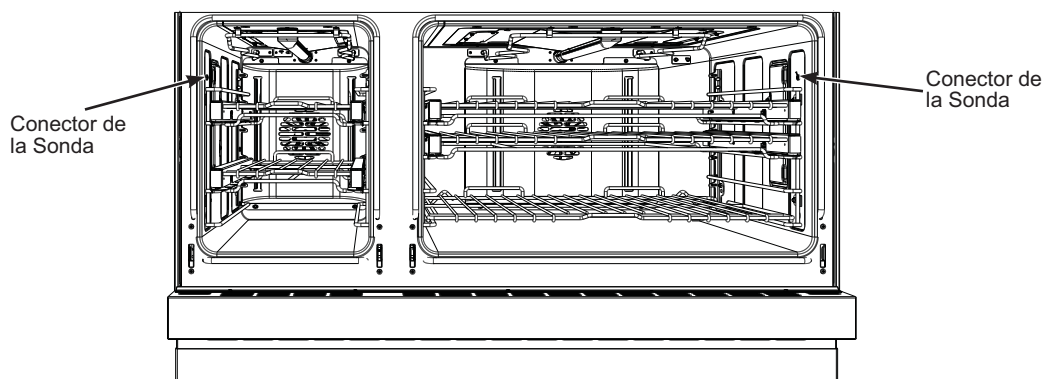
4. Utilice agarraderas para colocar la comida en el horno caliente. Introduzca el enchufe en la salida. Verifique que esté introducida hasta el fondo. Cierre la puerta del horno.
5. Gire la Mini Perilla hasta encontrar la temperatura interior deseada de la comida. Presione la Mini Perilla para seleccionar dicha temperatura.

Las palabras SET PROBE (Configurar Sonda) parpadearán en la pantalla hasta que se seleccione una temperatura. Si no se configura una temperatura, la sonda utilizará una temperatura predeterminada de 100°F.

La temperatura interna de los alimentos puede configurarse desde un mínimo de 100°F hasta un máximo de 200°F.

6. Cuando los alimentos alcanzan la temperatura interna configurada, la pantalla emitirá un pitido y el horno se apagará. Para detener el pitido, gire el selector de modo del horno y la perilla de temperatura del horno a OFF. Use agarraderas para quitar la sonda de la salida del horno.

Para cambiar la temperatura interior configurada en cualquier momento del proceso de cocción, presione y gire la **Mini Perilla** para ajustar la temperatura. Presione la Mini Perilla para seleccionar la opción.

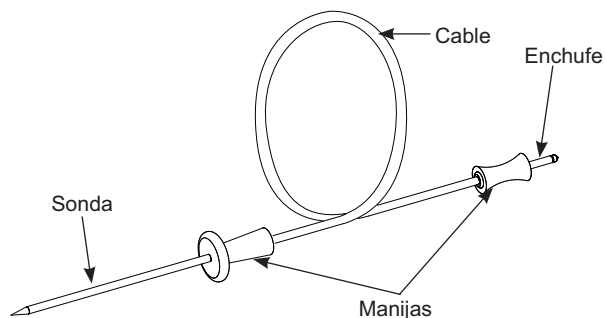


UTILIZANDO LA ESTUFA

SONDA DE TEMPERATURA (Cont.)

Pautas para el Cuidado de la Sonda

- Si se usa una sonda que no sea la provista con este producto se podrán producir daños sobre el tomacorriente de la sonda.
- Use las manijas de la sonda y el enchufe al insertar o retirar la misma de la carne y del tomacorriente.
- Para evitar daños sobre la sonda, no use agarraderas para empujar el cable al retirarlo.
- Para evitar romper la sonda, asegúrese de que la comida haya sido completamente descongelada antes de insertarla.
- Para evitar posibles quemaduras, no desenchufe la sonda del tomacorriente hasta que el horno se haya enfriado.
- Nunca deje la sonda dentro del horno durante un ciclo de asado o de limpieza con vapor.
- No almacene la sonda en el horno.



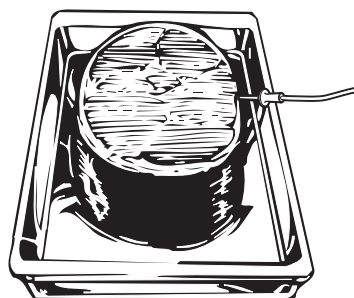
La sonda de temperatura cuenta con una sonda similar a un pincho en un extremo y un enchufe en el otro extremo que se introduce en la salida del horno.

Ubicación Adecuada de la Sonda

Luego de preparar la comida y de colocarla en la bandeja de cocción, siga estas instrucciones para una ubicación adecuada de la sonda.

- Inserte la sonda en la comida, de modo que la punta de la sonda se apoye sobre el centro de la parte más gruesa de la comida. Para un mejor rendimiento, la sonda deberá estar completamente insertada en la comida. Si la sonda no se coloca de forma apropiada, es posible que no mida de forma precisa la temperatura de la parte más fría de la comida. Algunas comidas, particularmente ítems pequeños, no son adecuados para la cocción con sonda debido a sus formas o tamaños.
- La sonda no deberá tocar el hueso, la grasa ni el cartílago.
- Para cocinar un ave entera, inserte la sonda en la parte más gruesa de la pechuga.
- Para dorar sin huesos, inserte la sonda en el centro del dorado.

- Para cocinar jamón o cordero con huesos, inserte la sonda en el centro del músculo o articulación más bajo y largo.
- Para preparar cazuelas o platos tales como pastel de carne, inserte la sonda en el centro del plato.
- Para cocinar pescado, inserte la sonda justo arriba de la agalla en la zona más carnosa paralela a la columna.



GUÍA DE COCCIÓN DEL HORNO

Cocine la comida completamente para evitar que se produzcan enfermedades a partir de la comida. Puede encontrar recomendaciones sobre temperatura mínima para cocinar de forma segura en IsItDoneYet.gov. Use un termómetro de comidas para medir la temperatura de las mismas.

PAUTAS DEL UTENSILIO DE HORNO

El material, el acabado y el tamaño de los utensilios afectan el horneado.

Las bandejas oscuras, revestidas y opacas absorben el calor más rápidamente que las bandejas claras y brillantes. Al usar bandejas que absorben el calor más rápidamente, las comidas podrán resultar más doradas, crocantes y con una capa más gruesa. Si utiliza utensilios oscuros y revestidos, controle la comida antes del tiempo mínimo de cocción. Si se obtienen resultados no deseados con este tipo de utensilios, considere la posibilidad de reducir la temperatura del horno en 25°F la próxima vez.

Las bandejas brillantes pueden producir resultados de horneado más parejos en productos tales como tortas y galletas.

Las bandejas de vidrio y cerámica calientan con lentitud, pero retienen bien el calor. Estos tipos de bandejas funcionan bien con platos tales como tartas y postres con natilla.

Las bandejas con aislante de aire calientan con lentitud y pueden reducir los fondos dorados.

Mantenga los utensilios limpios para una cocción más pareja.

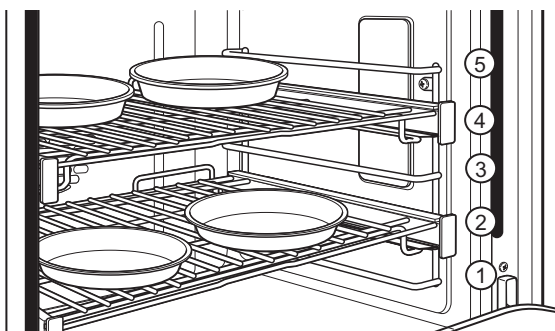
La cerámica se calienta de forma lenta y retiene bien el calor. Si es posible, se recomienda precalentar este tipo de utensilios. Se podrá requerir tiempo de cocción adicional.

Aquellos utensilios usados en los modos para asar deberán ser de uso seguro para asar.

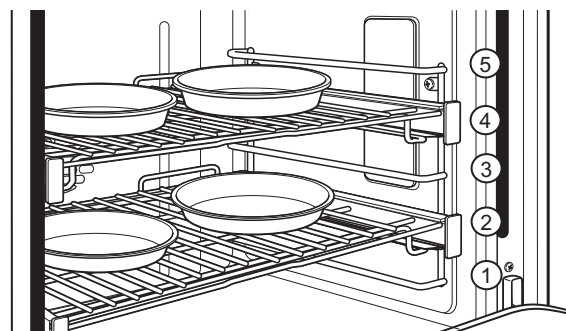
TIPO DE COMIDA	MODO(S) RECOMENDADO(S)	POSICIÓN(ES) RECOMENDADA DEL ESTANTE ABIERTO (modelos de 48" únicamente)	POSICIÓN(ES) RECOMENDADA DEL ESTANTE DEL HORNO U HORNO DERECHO (modelos de 48" únicamente)	SUGERENCIAS ADICIONALES
Productos Horneados				
Tortas con capas, tortas rectangulares, roscas, panecillos, pan rápido en un Solo Estante	Hornear	2	2 o 3	Use utensilios brillantes.
Tortas con capas* en Múltiples Estantes	Hornear Horneado Múltiple por Convección	-	2 y 4	Asegúrese de que haya un flujo de aire adecuado (Vea la ilustración).
Tortas de grasa (pastel de ángel)	Hornear	1	1	Use utensilios brillantes.
Galletas, galletitas, bizcochitos en un Solo Estante	Hornear	2	2 o 3	Use utensilios brillantes.
Galletas, galletitas, bizcochitos en Múltiples Estantes	Horneado Múltiple por Convección	2 y 3	2 y 4 1, 3, y 5	Asegúrese de que haya un flujo de aire adecuado.
Panes de Levadura	Leudar	1 o 2	2 o 3	Cubra la masa sin mucha rigidez.
	Hornear	2	2 o 3	

Continúa en la página siguiente

*Para obtener mejores resultados al hornear tortas de 4 capas, coloque cuatro bandejas usando los estantes 2 y 4. Las tortas deberán estar centradas desde el frente hacia la parte trasera en ambos estantes.



Posiciones de estantes para hornear tortas de 4 capas a la vez



Posiciones de estantes para hornear por convección tortas de 4 capas a la vez

GUÍA DE COCCIÓN DEL HORNO

TIPO DE COMIDA	MODO(S) RECOMENDADO(S)	POSICIÓN(ES) RECOMENDADA DEL ESTANTE ABIERTO (modelos de 48" únicamente)	POSICIÓN(ES) RECOMENDADA DEL ESTANTE DEL HORNO U HORNO DERECHO (modelos de 48" únicamente)	SUGERENCIAS ADICIONALES
Bife y Cerdo				
Hamburguesas	Asar Alto Asado por Convección Alto	3 o 4	4 o 5	Use la parte para asar; mueva la comida más abajo para que quede más preparada y menos soasada. Preste atención a la comida al asarla. Para un mejor rendimiento, centre la comida debajo del elemento que emite calor para asar.
Bifes y Chuletas	Asar Alto Asado por Convección Alto	3 o 4	4 o 5	Use la parte para asar; mueva la comida más abajo para que quede más preparada y menos soasada. Preste atención a la comida al asarla. Para un mejor rendimiento, centre la comida debajo del elemento que emite calor para asar.
Dorados	Hornear Dorado por Convección	2	2 o 3	Use una olla chata tal como una olla para asar. No es necesario precalentar.
Cazuelas	Hornear	2 o 3	2 o 3	
Pescado	Asado Bajo Asado por Convección Bajo	3 o 4 (Grosor de ½ pulgada o menos) 2 o 3 (>1/2 pulgada)	4 o 5 (Grosor de ½ pulgada o menos) 3 o 4 (>1/2 pulgada)	Mueva la comida hacia abajo para que quede más preparada y menos soasada.. Preste atención a la comida al asarla. Para un mejor rendimiento, centre la comida debajo del elemento calentador para asar.
Comidas Congeladas a Conveniencia				
Pizza en un Estante Simple	Hornear	2	2 o 3	No precalentar.
Pizza en Estantes Múltiples	Horneado Múltiple por Convección	-	2 y 4	Escalone las pizzas de izquierda a derecha, y no las coloque directamente una sobre otra.
Productos con papa, patitas de pollo fritas, aperitivos en un Solo Estante	Hornear Dorado por Convección	2	2 o 3	No precalentar. Use un utensilio oscuro para que quede más dorado/ crocante; use utensilios brillantes para un menor dorado.
Productos con papa, patitas de pollo fritas, aperitivos en Múltiples Estantes	Horneado Múltiple por Convección	2 y 3	2 y 4	Use un utensilio oscuro para que quede más dorado/ crocante; use utensilios brillantes para un menor dorado.
Ave				
Pollo entero	Hornear Dorado por Convección	2	2 o 3	Use una olla chata tal como una olla para asar.
Pechugas, patas, muslos con huesos	Asado Bajo Asado por Convección Bajo Hornear	2	2 o 3	Si se empanó o cubrió con salsa, evite los modos Broil High (Asar Alto). Ase del lado de la piel hacia abajo primero. Para un mejor rendimiento al asar, centre la comida debajo del elemento que emite calor para asar.
Pechugas de pollo deshuesadas	Asado Bajo Asado por Convección Bajo Hornear	2	2 o 3	Mueva la comida más abajo para que quede más preparada y menos soasada y más arriba para soasar/ dorar al asar. Para un mejor rendimiento al asar, centre la comida debajo del elemento que emite calor para asar.
Pavo entero	Hornear Dorado por Convección	-	1 o 2	Use una olla chata tal como una olla para asar.
Pechuga de Pavo	Hornear Dorado por Convección	-	2	Use una olla chata tal como una olla para asar.
Vegetales	Hornear Dorado por Convección Asado Bajo Asado por Convección Bajo	2 o 3	3	Use un utensilio oscuro para que quede más dorado/ crocante; use utensilios brillantes para un menor dorado.

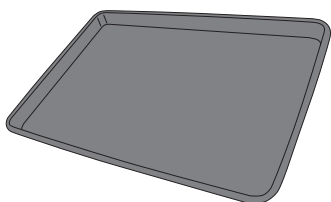
Cocine la comida completamente para evitar que se produzcan enfermedades a partir de la comida. Puede encontrar recomendaciones sobre temperatura mínima para cocinar de forma segura en www.IsItDoneYet.gov. Asegúrese de usar un termómetro de comidas para medir la temperatura de las mismas.

MODO DE COCCIÓN PARA FREÍR CON AIRE (disponible en Smart HQ)

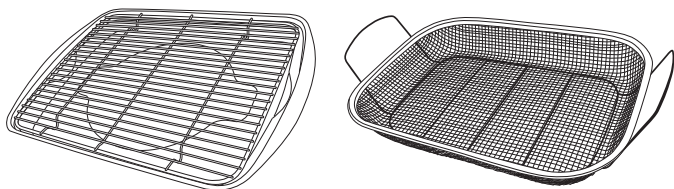
Air Fry (Freír con Aire) es un modo de cocción especial sin precalentamiento, que fue diseñado para producir comidas que en su exterior queden más crocantes que en la cocción en hornos tradicionales. Seleccione Air Fry (Freír con Aire) y luego ingrese la configuración de temperatura deseada y presione Start (Iniciar). La temperatura se puede configurar entre 300°F and 500°F.

Pautas del Utensilio para Freír con Aire

- Utilice utensilios de uso seguro para asar al utilizar el modo Air Fry (Freír con Aire).
- Se recomienda el uso de una bandeja de lámina oscura. Una bandeja oscura promueve un mejor dorado y que la comida quede más crocante.
- También se podrán usar canastas de horneado en el horno y rejillas de horneado. Se deberá colocar una bandeja plana sobre el estante debajo de las comidas, a fin de atrapar cualquier goteo al usar la canasta de horneado.



Utensilio principal recomendado



Opciones de utensilios alternativos

Consejos Generales sobre el Modo para Freír con Aire

- El modo Air Fry (Freír con Aire) fue diseñado para cocinar en un solo estante.
- El modo Air Fry (Freír con Aire) fue diseñado para un uso sin precalentamiento.
- Las comidas se podrán cocinar más rápido de lo esperado si el horno ya está caliente cuando se coloca la comida en el mismo.
- Al freír con aire comidas con salsa, se recomienda aplicar esta última al final de la cocción.
- Si las comidas se doran demasiado rápido, intente colocar la misma en un estante que se encuentre en un posición más baja o en una configuración de temperatura de horno más baja.
- En el caso de comidas empaquetadas, utilice las instrucciones de cocción tradicionales para horno en relación a la configuración de temperatura y tiempos de cocción esperados.
- No es necesario voltear o revolver la comida durante la cocción.
- Ubique la comida en una sola capa sobre la bandeja, sin sobrecargar la misma.
- Siempre controle la temperatura interior de la comida, a fin de confirmar que se hayan alcanzado las temperaturas mínimas seguras. Las temperaturas mínimas seguras de la comida se podrán encontrar en los paquetes y en IstDoneYet.gov.

TIPO DE COMIDA	POSICIÓN(ES) DE ESTANTES RECOMENDADAS	CONFIGURACIÓN DE TEMPERATURA RECOMENDADA (°F)	TIEMPO DE COCCIÓN RECOMENDADO (MÍN.)	NOTAS
Trozos de pescado fresco deshuesado o ave, empanados en forma de patitas, frituras crocantes, filetes	3 para la Estufa o la Estufa Derecha 2 para la Estufa Izquierda (sólo Estufas de 48")	375-400	15-30	Use configuraciones de temperatura más bajas para piezas más grandes. Use utensilios brillantes.
Huesos frescos de alitas de pollo	3 para la Estufa o la Estufa Derecha 2 para la Estufa Izquierda (sólo Estufas de 48")	375-400	25-40	Sale las alitas o cubra las mismas con un roce en seco si usará salsa luego de la cocción o hacia el final de la cocción.
Huesos frescos de patas o muslos de pollo	3 para la Estufa o la Estufa Derecha 2 para la Estufa Izquierda (sólo Estufas de 48")	375-400	30-55	Use configuraciones de temperatura más bajas para piezas más grandes.
Papas fritas frescas y delgadas (< ½ pulgada)	3 para la Estufa o la Estufa Derecha 2 para la Estufa Izquierda (sólo Estufas de 48")	400-425	15-30	Se recomienda el uso de papel para hornear al preparar papas fritas frescas. Para frituras más crocantes, mezcle las papas fritas con almidón de maíz o harina de arroz antes de la cocción.
Papas fritas frescas y delgadas (< ½ pulgada)	3 para la Estufa o la Estufa Derecha 2 para la Estufa Izquierda (sólo Estufas de 48")	375-400	20-35	Se recomienda el uso de papel para hornear al preparar papas fritas frescas. Para frituras más crocantes, mezcle las papas fritas con almidón de maíz o harina de arroz antes de la cocción.
Comidas envasadas congeladas	3 para la Estufa o la Estufa Derecha 2 para la Estufa Izquierda (sólo Estufas de 48")	Use las instrucciones de cocción para horno tradicional (no para Freír con Aire) como guía de configuración de temperatura y tiempo de cocción. Con algunas comidas, se podrá requerir un tiempo de cocción adicional diferente al tiempo recomendado en el paquete. Si el horno está caliente al iniciar la cocción, la comida se podrá cocinar más rápido que el tiempo mínimo que figura en el paquete.		

CUIDADO Y LIMPIEZA

Asegúrese de que la corriente eléctrica esté apagada y que todas las superficies estén frías antes de limpiar cualquier parte de la estufa.

PANEL DE CONTROL Y PERILLAS

Una buena idea es limpiar el panel de control luego de cada uso. Limpie con un jabón suave y agua o vinagre y agua, enjuague con agua limpia y pule con seco con una tela suave. No use limpiadores abrasivos, limpiadores líquidos fuertes, almohadillas para fregar de plástico ni limpiadores de horno en el panel de control, ya que estos dañarán el acabado.

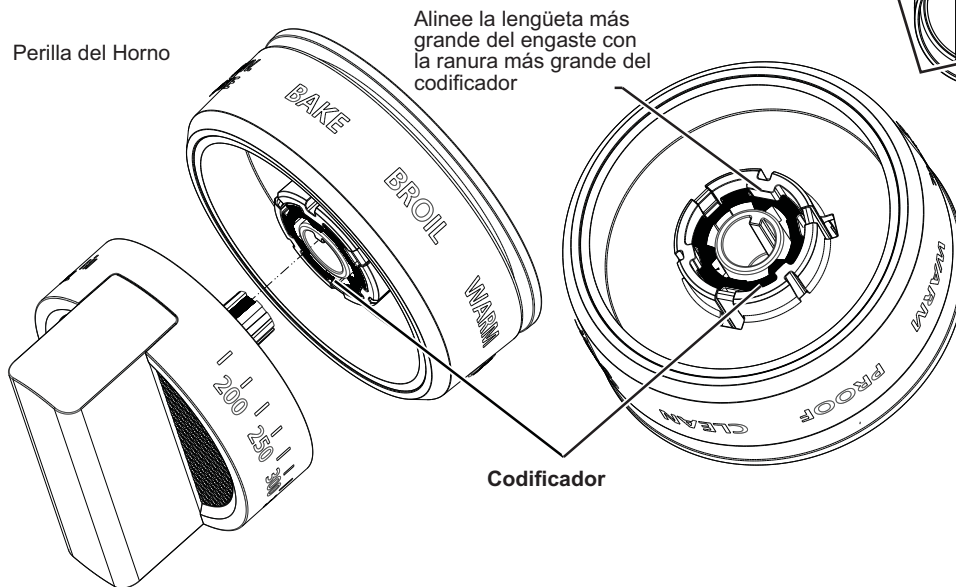
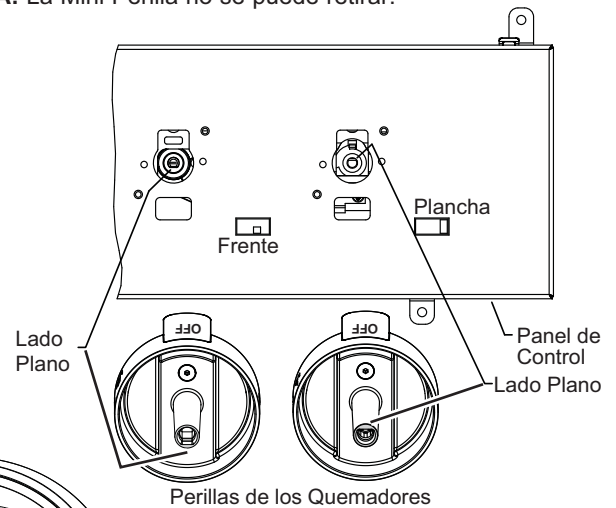
Para una limpieza más fácil, las perillas de control se podrán retirar empujando las mismas directamente hacia afuera, una vez que éstas se encuentren en la posición OFF (Apagado). No empuje las perillas hacia arriba o abajo ni cuelgue objetos de las mismas. Esto podrá dañar el eje de la válvula de gas. Para una vista detallada de estas perillas, consulte la sección de Quemadores de la Superficie de Cocción. Las perillas se podrán lavar de forma manual con agua y jabón.

Al retirar las perillas del horno y de los quemadores, recuerde sus ubicaciones. Las perillas no son intercambiables, y se deberán colocar en la misma ubicación luego de su limpieza. Para una vista detallada de estas perillas, consulte la sección de Quemadores de la Superficie de Cocción y control del horno.

Para reemplazar las perillas luego de la limpieza, alinee la parte inferior de la perilla con la orientación del perno de enlace hacia el eje dentro del engaste. Presione la perilla hasta que quede completamente apoyada.

Use una tela suave y no abrasiva para limpiar el interior del engaste. No retire la película del difusor. Evite la exposición a la humedad, ya que ésta dañará los componentes electrónicos de la iluminación.

NOTA: La Mini Perilla no se puede retirar.



ASADERA, REJILLA Y PARRILLA DE ROSTIZADO

⚠ PRECAUCIÓN No limpie la bandeja para asar, la rejilla ni el estante para asar en el horno con limpieza automática.

La asadera, rejilla y parrilla de rostizado son todas aptas para lavaplatos. Sin embargo, los elementos pegados durante el horneado pueden necesitar limpieza a mano con un limpiador de

horno comercial o un detergente abrasivo.

No guarde una asadera o rejillas sucias dentro del horno. Siempre elimine los restos de grasa.



CUIDADO Y LIMPIEZA

EXTERIOR DEL HORNO

No use limpiadores de horno, limpiadores abrasivos, limpiadores líquidos fuertes, estropajos de acero, almohadillas para fregar de plástico, ni polvos limpiadores en el interior o el exterior del horno. Limpie el mismo con agua y jabón o una solución de vinagre y agua. Enjuague con agua limpia y seque con una tela seca. Al limpiar superficies, asegúrese de que estén a temperatura ambiente y fuera del contacto con la luz solar.

Si las manchas en el borde de la ventana de la puerta son persistentes, use un limpiador abrasivo suave o una esponja con estropajo para obtener un mejor resultado. El derrame de adobo, jugos de fruta, salsas de tomate y líquidos para humedecer que contengan ácidos podrán ocasionar descoloración y se deberán limpiar de inmediato. Espere a que las superficies calientes se enfríen, y luego limpie y enjuague.

Superficies Pintadas

Las superficies pintadas podrán incluir la puerta y el marco alrededor del panel de control. Limpie los mismos con agua y jabón o con una solución de vinagre y agua. No use limpiadores

comerciales para horno, polvos de limpieza, estropajos de acero o abrasivos duros sobre cualquier superficie pintada.

Acero Inoxidable

No use una viruta de acero; ésta dañara la superficie. Para limpiar la superficie de acero inoxidable, use agua tibia con jabón o un limpiador o pulidor para acero inoxidable. Siempre limpie la superficie en la dirección del veteado. Siga las instrucciones del limpiador para limpiar la superficie de acero inoxidable. Los limpiadores con ácido oxálico tales como Bar Keepers Friend Soft Cleanser™ eliminarán el óxido, deslustres y pequeñas manchas. Use sólo un limpiador líquido libre de material abrasivo y frote en la dirección de las líneas del cepillo con una esponja suave y húmeda. Para realizar consultas sobre la adquisición de productos de limpieza, incluyendo limpiadores o pulidores para electrodomésticos de acero inoxidable, consulte la sección de Soporte al Consumidor para más información.

INTERIOR DEL HORNO

El interior de su nuevo horno se podrá limpiar de forma manual o usando el modo Steam Clean (Limpieza con Vapor). El derrame de adobo, jugos de fruta, salsas de tomate y líquidos para humedecer que contengan ácidos pueden ocasionar descoloración y se deberán limpiar de inmediato. Espere a que las superficies calientes se enfríen, y luego limpie y enjuague.

Limpieza Manual

No use limpiadores de horno, limpiadores líquidos fuertes, estropajos de acero, ni almohadillas para fregar en el interior del horno. Limpie con agua y jabón suave o con una solución de vinagre y agua. Enjuague con agua limpia y seque con una tela seca. Al limpiar las superficies, asegúrese de que se encuentren a temperatura ambiente.

Modo de Limpieza con Vapor

La función Steam Clean (Limpieza con Vapor) permite eliminar las suciedades suaves de su horno a una temperatura más suave que en la función Self Clean (Limpieza Automática).

Para usar la función Steam Clean (Limpieza con Vapor):

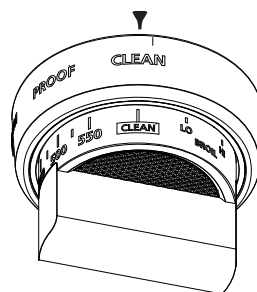
1. Comience con el horno a temperatura ambiente.
2. Limpie la grasa excesiva y la suciedad del horno.
3. Vierta una taza de agua en la parte inferior del horno.
4. Cierre la puerta.

No abra la puerta durante el ciclo Steam Clean (Limpieza con Vapor) de 30 minutos. Al final del ciclo de Steam Clean (Limpieza con Vapor), absorba el agua restante, y limpie la suciedad ablandada con humedad de las paredes y la puerta del horno.

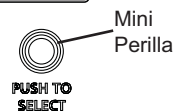
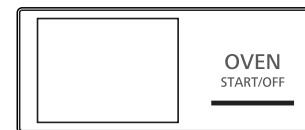
HORNO CON LIMPIEZA CON VAPOR

Cómo Configurar el Horno para la Limpieza con Vapor

1. Gire el selector de modo del horno a **CLEAN (limpieza)**.
2. Gire la perilla de temperatura del horno a la posición **CLEAN (limpieza)**.
3. Presione la Mini Perilla para seleccionar Steam Clean (Limpieza con Vapor).
El control vuelve de forma automática al tiempo del ciclo de limpieza al vapor por omisión recomendado.
4. Presione el botón de la pantalla del horno **START/OFF (Iniciar/ Apagar)** para iniciar el ciclo **STEAM CLEAN (Limpieza con Vapor)**.
Si se visualiza "CLOSE door" (Cerrar la Puerta) en la pantalla, el ciclo de limpieza con vapor fue seleccionado pero no puerta no está cerrada. Cierre la puerta del horno.
5. Una vez completado el ciclo de limpieza con vapor, gire el Selector de Modo del Horno y la perilla de temperatura del horno hasta **OFF (Apagado)**.
Para interrumpir un ciclo de limpieza, presione el botón de la pantalla del horno **START/OFF (Iniciar/ Apagar)**.



Botón de la Pantalla del Horno



CUIDADO Y LIMPIEZA

HORNO AUTO-LIMPIANTE

Seguridad

La característica de auto-limpieza del horno se encuentra diseñada para facilitar la limpieza de la parte interna del horno utilizando temperaturas muy elevadas para quemar y eliminar derrames de alimentos.

▲ ADVERTENCIA

Limpie la grasa excesiva y otros derrames de alimentos con un paño húmedo. La suciedad excesiva de alimentos puede prenderse fuego, lo que provoca humo y daños por calor.

- No limpie las juntas del horno porque pueden provocarse daños.
- Quite los elementos de cocción, asadera, rejilla, sonda y cualquier trozo de papel de aluminio del horno.
- Verifique que la lente de la luz del horno y el marco de la lente se encuentren en su lugar.
- No utilice limpiadores de horno comerciales, abrasivos o protectores de horno en o cerca de un horno auto-limpiante.
- Recomendamos ventilar su estufa con una ventana abierta o utilizando un ventilador/campana durante el ciclo de auto-limpieza.
- Limpie la suciedad ubicada alrededor del armazón o alrededor de la puerta del horno, en la parte exterior de las juntas del horno. Estas áreas deben limpiarse a mano.

- Las bandejas del horno pueden dejarse en el horno durante el ciclo de auto-limpieza.



IMPORTANTE: Las emanaciones producidas durante el ciclo de auto-limpieza de cualquier horno afectan la salud de algunas aves de manera notoria. Procure llevar a sus aves a otra habitación bien ventilada.


NOTA: Durante el ciclo de auto-limpieza, la estufa se bloqueará y no funcionará. Si se enciende un quemador después de que el ciclo de auto-limpieza haya empezado, aparecerá una advertencia en la pantalla del horno "err turn surf frnr off" y se escuchará un sonido.

NOTA: El modo de auto-limpieza no funciona si la sonda de temperatura se encuentra enchufada.

En modelos de estufa doble, usted no podrá iniciar los modos Self Clean (Auto-Limpieza) en ambas estufas al mismo tiempo. Además, no podrá activar ninguna de las demás funciones de la estufa mientras una estufa esté realizando el ciclo Self Clean (Auto-Limpieza). Se impedirá que en la estufa que no esté realizando el ciclo Self Clean (Auto-Limpieza) se pueda seleccionar otro modo de estufa. Si se enciende el quemador de la placa de cocción, un mensaje en pantalla le indicará al usuario que apague el quemador o que el ciclo Self Clean (Auto-Limpieza) será cancelado de forma inmediata.

Cómo configurar el horno para la limpieza

1. Apague todos los quemadores de la superficie. (El ciclo de **limpieza** no empieza hasta que todos los quemadores de la superficie se hayan apagado).
2. Gire el selector de modo del horno a **CLEAN (limpieza)**.
3. Gire la perilla de temperatura del horno a la posición **CLEAN (limpieza)**.
4. Presione y gire la **Mini Perilla** para seleccionar **Self-Clean** (Limpieza Automática).
El control automáticamente utiliza el tiempo predeterminado de ciclo de limpieza recomendado de 5 horas. El ciclo de limpieza puede ajustarse a cualquier tiempo entre 3 y 5 horas utilizando la mini-perilla. La pantalla mostrará el tiempo restante.
5. Presione el botón de la pantalla del horno **START/OFF (Iniciar/ Apagar)** para iniciar el ciclo SELF-CLEAN (Limpieza Automática).
Si "CLOSE DOOR" (Cerrar la Puerta) aparece en la pantalla, se ha seleccionado el ciclo de auto-limpieza pero no se ha cerrado la puerta. Cierre la puerta del horno.
El símbolo  destellará hasta que se bloquee la puerta del horno. No podrá abrirse la puerta del horno durante el ciclo de limpieza.
6. Después de que el ciclo de limpieza haya finalizado y el horno se haya enfriado, el  se apagará. Presione el botón de la pantalla del horno **START/OFF (Iniciar/ Apagar)**.

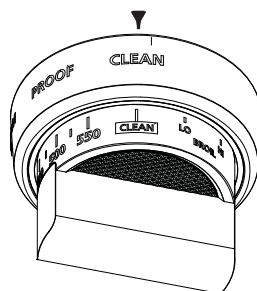
Para interrumpir un ciclo de limpieza automática, presione el botón de la pantalla del horno **START/OFF (Iniciar/ Apagar)**. Cuando la temperatura del horno haya bajado a un nivel seguro, el símbolo  se apagará indicando que puede abrirse la puerta. Un ciclo de limpieza que se interrumpe no puede reiniciarse hasta que el horno se enfríe lo suficiente para que la puerta se destrabe.

Después de un Ciclo de Limpieza Automática

Pueden quedar cenizas blancas en el horno. Límpielas con un paño húmedo después de que se enfríe el horno.

Si quedan unas manchas blancas, quítelas con agua jabonosa tibia y enjuague bien con una mezcla de vinagre y agua. En general, estos depósitos son restos de sal que no pueden eliminarse durante el ciclo de limpieza.

Si el horno no queda limpio después de un ciclo de limpieza, repítalo.

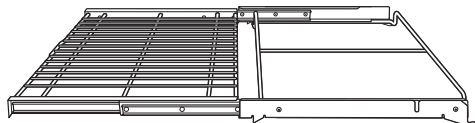


CUIDADO Y LIMPIEZA

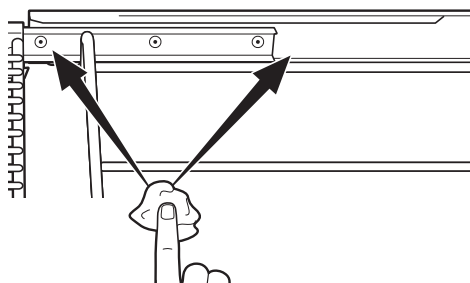
BANDEJAS DEL HORNO

De forma periódica, es posible que sea necesario lubricar los estantes del horno usando la Lubricación con Grafito enviada con su estufa. Para solicitar lubricante de grafito adicional, llame a nuestro centro nacional de repuestos al 800.626.2002 con la referencia WB02T10303.

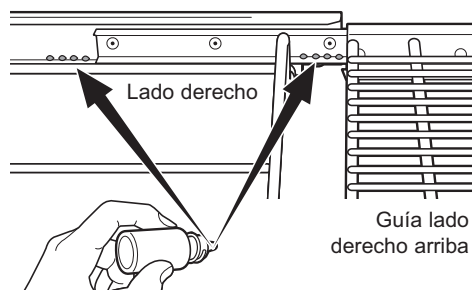
1. Quite la bandeja del horno. Ver la sección Bandejas del horno de extensión total.
2. Extienda por completo la bandeja sobre una mesa o mostrador de encimera. Puede colocarse papel de diario debajo de la bandeja para una limpieza sencilla.



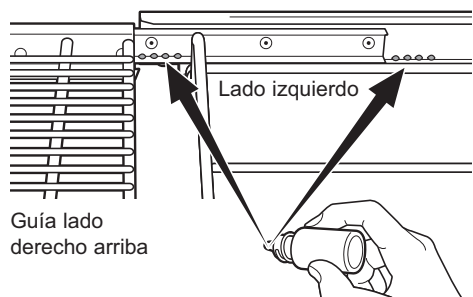
3. Si hay residuos en las guías de deslizamiento, límpielas con una toalla de papel. **NOTA:** Todo el lubricante de grafito que se haya eliminado durante la limpieza debe volver a colocarse.



4. Agite el lubricante de grafito antes de abrirlo. Comenzando con el mecanismo de deslizamiento izquierdo de la guía, coloque cuatro (4) gotas de lubricante sobre las dos (2) guías traseras cercanas a los cojinetes de apoyo.



5. Repita en el mecanismo del lado derecho de la guía.



6. Abra y cierre la guía varias veces para distribuir el lubricante.
7. Reemplace la tapa del lubricante y agítela nuevamente. Dé vuelta la bandeja y repita los pasos 3, 4, 5 y 6.
8. Cierre la bandeja, gire la bandeja dejando el lado derecho hacia arriba y colóquela en el horno. Ver la sección Bandejas del horno de extensión total.
9. Repita los pasos anteriores para cada bandeja.

NOTA: No utilice un pulverizador de cocción u otros pulverizadores lubricantes sobre los deslizadores.

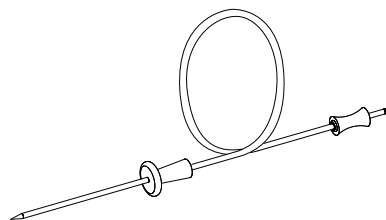
SONDA DE TEMPERATURA

Permita que la sonda de temperatura se enfríe antes de limpiarla.

La sonda debe limpiarse a mano con agua y jabón.

No sumerja la sonda de temperatura en agua.

No almacene la sonda de temperatura en el horno.



BASE DEL HORNO

La base del horno tiene un acabado de esmalte de porcelana. Para hacer la limpieza más fácil, proteja la base del horno de derrames excesivos. Una lámina de aluminio más pequeña o una lata se puede usar para recoger los derrames colocándola en la bandeja debajo de la bandeja en la cual usted está cocinando. Esto es particularmente importante al hornear un pastel de frutas u otros alimentos que son altamente ácidos. Los rellenos de fruta caliente u otros alimentos que tienen alto nivel de ácido (como los tomates, el sauerkraut y las salsas con vinagre o jugo de limón) pueden causar que el esmalte de la porcelana se pele y se dañe, por lo que se debe limpiar de inmediato.

Nunca cubra completamente una bandeja con papel aluminio. Esto impedirá la circulación del calor y resultará en un horneado deficiente.

Para limpiar derrames, use agua y jabón, un limpiador abrasivo o una almohadilla para fregar llena de jabón. Enjuague bien para eliminar el jabón antes de la limpieza automática.

CUIDADO Y LIMPIEZA

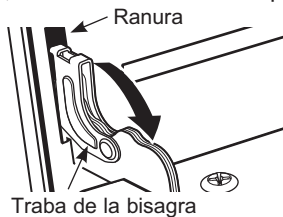
PUERTA DEL HORNO CON APERTURA ASCENDENTE Y CIERRE SUAVE

La puerta es muy pesada. Tenga cuidado al quitar y levantar la puerta.

No levante la puerta de la manija.

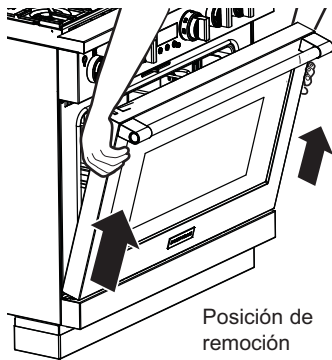
Para quitar la puerta:

1. Abra la puerta por completo.
2. Presione las trabas de la bisagra hacia abajo en dirección del armazón de la puerta hasta destrabarlas. Puede necesitarse una herramienta, como un destornillador plano.



Tire las trabas de la bisagra hacia abajo para destrabar

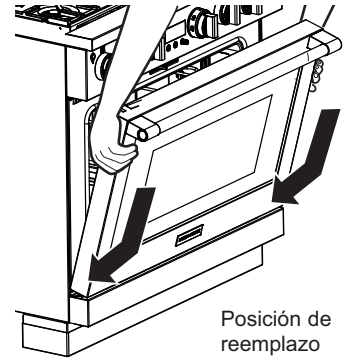
3. Tome con firmeza ambos lados de la puerta de la parte superior.



4. Cierre la puerta hasta su posición de remoción (aproximadamente 15 grados desde la posición cerrada) y levántela hacia arriba y afuera hasta que el brazo de la bisagra quede liberado de la ranura.

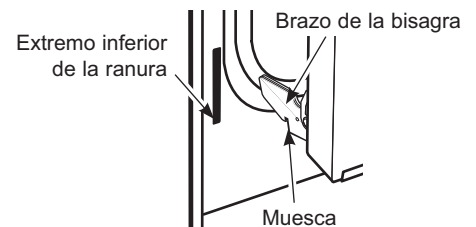
Para reemplazar la puerta:

1. Tome con firmeza ambos lados de la puerta de la parte superior.

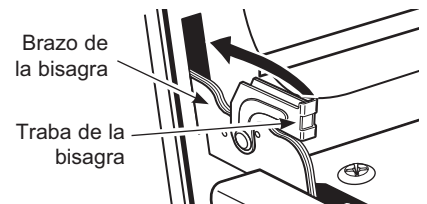


2. Con la puerta en el mismo ángulo de la posición de remoción, introduzca la muesca del brazo de la bisagra dentro del extremo inferior de la ranura de la bisagra. La ranura del brazo de la bisagra debe estar bien colocada en la parte inferior de la ranura.

3. Abra la puerta por completo. Si la puerta no se abre por completo, la muesca no está bien colocada en el extremo inferior de la ranura.



4. Presione las trabas de la bisagra hacia arriba contra el armazón frontal de la cavidad del horno, hasta alcanzar la posición de trabado.



5. Cierre la puerta del horno.

Presione las trabas de la bisagra hacia arriba para trabar

LIMPIEZA DE LA PUERTA DEL HORNO

Limpieza del Interior de la Puerta

No permita que el excedente de agua entre a ningún agujero o ranuras de la puerta.

Aplique detergente para lavar platos sobre cualquier salpicadura que haya sobre el vidrio debido al horneado. Use el filo de una navaja del lado seguro para despejarlo. Luego limpie el vidrio con una tela con jabón para eliminar cualquier residuo y seque.

El área fuera de la junta se podrá limpiar con un estropajo de plástico con jabón. No frote ni limpie la junta de la puerta; ésta posee una resistencia extremadamente baja a la abrasión.

Si observa que la junta comienza a gastarse, se deshilacha o daña de cualquier forma y si quedó fuera de la puerta, deberá reemplazar la misma.

Cómo Limpiar el Exterior de la Puerta

Si una mancha en el marco de la ventana de la puerta es persistente, use un limpiador abrasivo suave o una esponja con estropajo para obtener un mejor resultado. No use este método sobre ninguna otra superficie.

Superficies de Acero Inoxidable (en algunos modelos)

No use una viruta de acero; ésta dañara la superficie. Para limpiar la superficie de acero inoxidable, use agua tibia con jabón o un limpiador o pulidor para acero inoxidable. Siempre limpie la superficie en la dirección del veteado. Siga las instrucciones del limpiador para limpiar la superficie de acero inoxidable. Para realizar consultas sobre la adquisición de productos de limpieza, incluyendo limpiadores o pulidores para electrodomésticos de acero inoxidable, consulte la sección de Soporte al Consumidor para más información.

CUIDADO Y LIMPIEZA

LUCES DEL HORNO

⚠ ADVERTENCIA PELIGRO DE DESCARGA

ELÉCTRICA O QUEMADURAS: Antes de reemplazar la bombilla del horno, desconecte la alimentación de energía al horno desde el panel principal de fusibles o del interruptor de circuitos. No hacerlo puede provocar una descarga eléctrica o una quemadura.

⚠ PRECAUCIÓN RIESGO DE INCENDIO:

La tapa de vidrio y la lámpara de luz se deberán retirar cuando estén frías. Tocar el vidrio caliente sin protección en las manos o con un trapo húmedo puede ocasionar quemaduras.

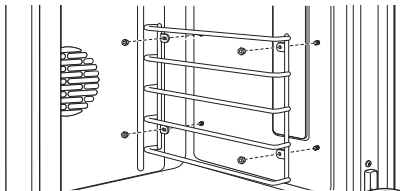
Los hornos están equipados con columnas de luces halógenas ubicadas en la paredes laterales del horno. Las luces se encienden cuando se abre la puerta o cuando el horno se encuentra en un ciclo de cocción.

Cada ensambladura de luz está compuesta por una tapa de luz desmontable con dos ganchos de trabado y un compartimento de luz con tres focos halógenos.

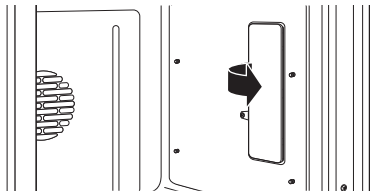
Verifique que la tapa de la lámpara y el foco se hayan enfriado por completo. Para mayor seguridad, no toque el foco con las manos desnudas o con un trapo húmedo.

Para quitar:

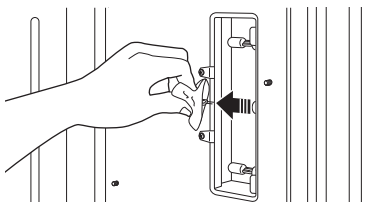
1. Quite las bandejas del horno. Ver la sección Bandejas del horno de extensión total.
2. Utilizando una llave de tuercas de 7/16", quite las cuatro tuercas que sostienen los soportes de la bandeja a la pared del horno.



3. Quite la tapa de luz de vidrio tirando su extremo trasero hacia afuera y acercándolo hacia usted. No quite ningún tornillo.



4. Utilizando guantes o un trapo seco, retire el foco de luz quemado tirando en línea recta hacia fuera.



Para reemplazar:

Utilice un foco halógeno nuevo de 120 voltios, con clavijas G8, que no supere los 40 vatios.

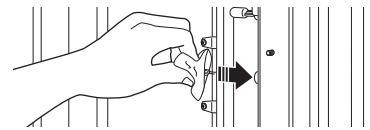


Pueden adquirirse focos de repuesto llamando al 800.626.2002. Solicite el número de pieza WB25X39610.

NOTA: El uso de focos de un vataje mayor puede dañar su horno.

Retire el foco de su envoltorio utilizando guantes o un trapo seco. No toque el foco con las manos desnudas. El aceite de las manos desnudas puede provocar puntos calientes en la superficie de vidrio y causar una falla prematura del foco. Si toca el vidrio, límpielo con alcohol antes de la instalación.

1. Empuje por completo el foco en línea recta dentro del receptáculo.



2. Reemplace la tapa de la luz, colocando el extremo frontal bajo las dos lengüetas frontales del compartimento de luz. Coloque el extremo trasero en su lugar, verificando que esté bien firme.

NOTA: Si los ganchos de trabado se cayeron de la tapa de la lente de vidrio, sosténgalos sobre la tapa, en la posición correcta, mientras reemplaza la tapa del compartimento de la luz.



La tapa de la luz debe estar en su lugar cuando utilice el horno.

3. Reinstale el soporte de la bandeja. Asegúrese de orientar el soporte de modo que las lengüetas superiores para las tuercas se encuentren lo más cerca posible de la parte superior del horno. Asegure suavemente con las cuatro tuercas quitadas con anterioridad, pero no ajuste de más porque el esmalte puede saltarse.



4. Reemplace las bandejas. Ver la sección Bandejas del horno de extensión total.
5. Reconecte la energía eléctrica al horno.

CUIDADO Y LIMPIEZA

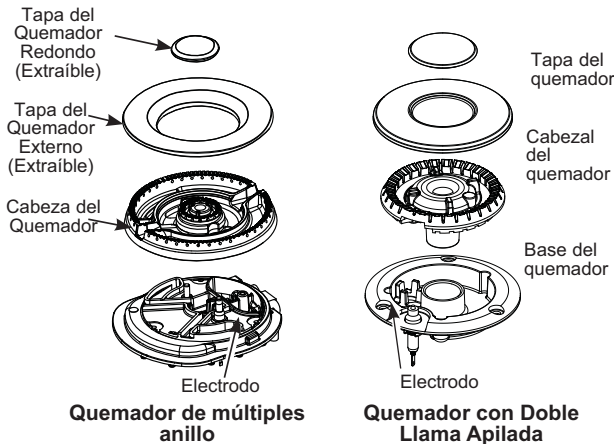
QUEMADORES DE LLAMA DUAL APILADA Y ANILLOS MÚLTIPLES

⚠ PRECAUCIÓN

NO UTILICE EL QUEMADOR SIN TODAS LAS PIEZAS EN SU LUGAR.

Los quemadores de la superficie de cocción se deberán limpiar de forma rutinaria, especialmente luego de grandes derrames, los cuales podrán atascar las ranuras y agujeros de las cabezas de los quemadores.

El electrodo se encuentra ubicado en la parte trasera de cada quemador. No intente desensamblar ni limpiar un quemador mientras otro quemador está encendido. Se podrá producir una descarga eléctrica.



Para quitar las piezas del quemador:

1. Gire todos los controles a **OFF (apagado)** antes de quitar piezas de los quemadores.
2. Cuando se enfríen, usted puede levantar las rejillas, las tapas y los cabezales del quemador para efectuar una limpieza más sencilla. No quite las bases de los quemadores.

NOTA: Asegúrese de reemplazar los quemadores en la misma ubicación y orientación.

Limpieza de los cabezales de los quemadores

Los cabezales de los quemadores están contruidos 100% de latón, para que pueda aprovechar las propiedades térmicas naturales de este material de calidad superior y elevar su experiencia en la cocción.

El latón real posee una pátina natural que se acumula con el paso del tiempo, a medida que es expuesto al calor y el ambiente. Esta pátina y tono profundo del latón se forman para proteger los quemadores de la corrosión. Se espera que este proceso de oxidación se produzca, el cual asegura que sus quemadores de latón resistan incluso las temperaturas más altas.

A fin de eliminar la grasa pegada de los cabezales y restaurar el aspecto bonito del latón, remoje los cabezales en una solución de 1 taza de agua y 1 cucharada sopera de vinagre blanco durante 18 horas, o 1 taza de agua 1/3 De taza de vinagre blanco durante 1 hora. Limpie con una tela suave. No limpie con un cepillo metálico, ya que éste podrá dañar el latón.

Si no le agrada el aspecto de los cabezales de latón, podrá eliminar la inserción de latón del quemador con pila dual y reemplazar estos por los cabezales de esmalte negro opcionales para el quemador de múltiples anillos, que están incluidos con su producto.

Limpieza de los cabezales de los quemadores

Lave las cabezas de los quemadores de forma rutinaria, especialmente luego de grandes derrames, los cuales podrían obstruir las aberturas de los quemadores. Levante los quemadores cuando estén fríos. Lave con agua caliente y jabón. Enjuague con agua limpia. Para eliminar manchas más rebeldes, use un cepillo con cerda plástica. **NOTA:** Se pueden usar cepillos más rígidos, pero esto podría afectar la apariencia, no el funcionamiento, del quemador.

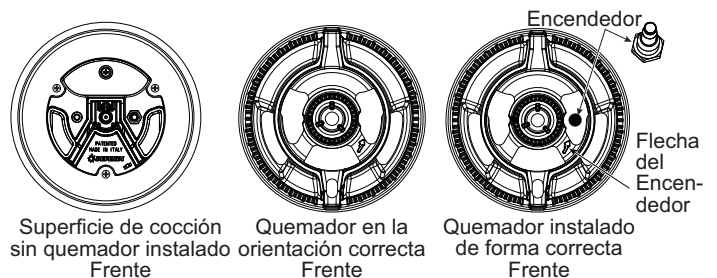
NOTA: No use estropajos de acero ni almohadillas para fregar para limpiar las partes del quemador, ya que podrían obstruir las aberturas. Nunca lave las cabezas de los quemadores en su lavavajillas. Hacerlo podría causar decoloración. Las hendiduras de las cabezas de los quemadores deben mantenerse limpias en todo momento para obtener una llama pareja y sin obstrucciones. bajo agua corriente y agítela para remover el exceso de agua.

Después de la limpieza

Después de reemplazar las piezas del quemador, agítelas para quitar el exceso de agua y luego séquelas bien.

Para reemplazar las piezas del quemador de Anillos Múltiples:

Alinee la cabeza del quemador como se muestra. Pase el encendedor a través de la abertura de la cabeza del quemador, mientras se asegura de que la flecha del encendedor esté apuntando hacia el encendedor. Asegúrese de que el quemador esté apoyado de forma plana. Instale las tapas de los quemadores con cuidado, a fin de controlar que estén apoyadas de forma plana sobre la cabeza del quemador. Controle el funcionamiento de lo quemadores, asegurando que la llama sea uniforme y azul en torno al quemador. En caso de que haya llamas amarillas o desaparejas, de forma inmediata apague el quemador, espere hasta que se enfríe y vuelva a ajustar el quemador y su tapa.



Para reemplazar las piezas del quemador con Estructura Dual:

Asegúrese de que las piezas de los quemadores se coloquen en los lugares correctos.

1. Reemplace el cabezal del quemador sobre la base del quemador, verificando que el orificio del cabezal se encuentre bien alineado con el electrodo de la base. Un espacio pequeño entre la base y el cabezal resulta normal.
2. Coloque la tapa del quemador sobre el cabezal del quemador. Verifique que la tapa del quemador esté bien colocada sobre el cabezal del quemador.



CUIDADO Y LIMPIEZA

ENCENDEDOR POR CHISPA Y ELECTRODOS

El electrodo del sistema de encendido electrónico se encuentra ubicado en la parte trasera de la base del quemador. Cuando limpie la estufa, tenga cuidado de no enganchar el encendedor con el paño de limpieza. El encendedor podría dañarse.

Tenga cuidado de no empujar la perilla de control hacia adentro mientras realiza la limpieza. Podría provocar el accionamiento del encendedor por chispa.

Asegúrese de que los encendedores de cerámica blancos ubicados sobre la estufa estén secos y limpios. Limpie la porción de metal del electrodo con un paño suave o una lija.

No trate que quitar el electrodo de la estufa.

Limpie esta parte de metal con una lija.



No limpie esta parte de cerámica blanca con una lija.

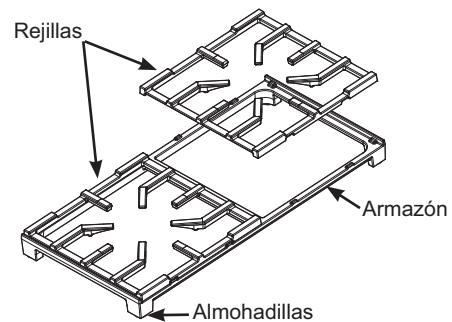
REJILLAS DEL QUEMADOR

Las rejillas del quemador de hierro fundido esmaltado deben limpiarse regularmente.

Lávalos en agua caliente jabonosa, enjuague y seque bien.

A pesar de ser resistentes, las rejillas gradualmente irán perdiendo el brillo, aunque les brinde el mayor cuidado. Esto se debe a su exposición continua a altas temperaturas.

No haga funcionar el quemador durante un período prolongado sin recipientes de cocción sobre la rejilla. El acabado de la rejilla puede saltarse sin un recipiente que absorba el calor.



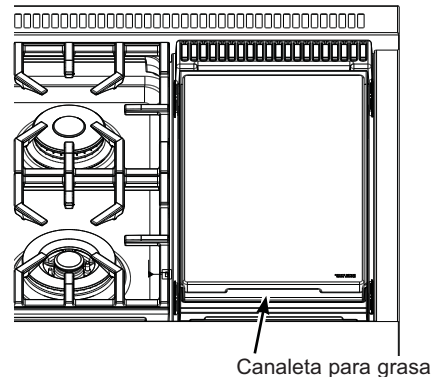
Para estabilidad, los armazones cuentan con almohadillas de goma en cada esquina. Durante la limpieza y el uso, tenga cuidado de no dañar o enganchar las almohadillas de goma.

CANALETAS PARA GRASA (en algunos modelos)

La grasa de la plancha será drenada a la canaleta para grasa de hierro fundido, ubicada en el frente de la estufa. Asegúrese de empujar la fosa de grasa por debajo del borde de la plancha, a fin de atrapar la grasa mientras estufa. Una vez que la fosa se haya enfriado, se podrá extraer para una limpieza más fácil.

Para quitar la canaleta para grasa fría de la plancha, deslícela hacia el frente y levántela.

No permita la acumulación de grasa en las canaletas porque pueden generar un peligro de incendio. Limpie las canaletas para grasa tan pronto como se enfríen. Las canaletas para grasa pueden limpiarse a mano con agua caliente jabonosa o en el lavaplatos. Limpie cualquier derrame del tazón de la canaleta con un paño suave.



PLANCHA (en algunos modelos)

Quite bien la grasa y las partículas de comida de la plancha utilizando una espátula de metal de lados rectos, mientras todavía esté caliente.

Limpie la plancha con un paño seco, resistente y grueso para eliminar los residuos restantes y partículas de alimentos. Si la plancha se limpia con otro elemento que no sea un paño seco, resistente y grueso, ésta tendrá que volver a curarse.

Nunca llene la plancha caliente con agua fría. Esto podría quebrar o torcer la plancha.


NOTA: Es normal que la plancha en acero inoxidable se ponga de color amarillo-café después del uso.

CONSEJOS PARA LA SOLUCIÓN DE PROBLEMAS

¡Ahorre tiempo y dinero! Primero revise los cuadros que aparecen en las siguientes páginas y es posible que no necesite solicitar reparaciones.

Problema	Causa Posible
El horno no funciona	el fusible puede haberse quemado o el interruptor de circuitos puede haber saltado. Los controles del horno no están bien configurados. Los controles del horno están configurados para limpieza. Si fuera necesario, deje enfriar el horno; luego abra la puerta. Verifique que el selector de modo del horno esté configurado en BAKE (hornear) y que la perilla de temperatura del horno esté configurada en una temperatura.
Los quemadores de la superficie prenden pero el horno no	la válvula de apagado del gas del horno puede haberse movido accidentalmente durante la limpieza o el traslado.
Las luces del horno no funcionan	el foco de luz no funciona. Cambie el foco. Las luces del horno no se encienden durante la limpieza automática. El horno está configurado en el modo Proof (leudado). Las luces se encienden y apagan según sea necesario para mantener la temperatura de leudado.
Los alimentos no se hornean o rostizan de manera adecuada	los controles del horno no están bien configurados. Ver la sección Horneado o Rostizado. El horno no se precalentó el tiempo suficiente; espere a que el horno dé la señal de precalentamiento. Se están utilizando recipientes de cocción incorrectos o de tamaño inapropiado. Ver los Consejos de horneado. Las bandejas no están en la posición correcta. Ver la sección Horneado o Rostizado. Utilice papel de aluminio para retardar el dorado durante el rostizado. El termostato del horno debe ajustarse. Ver la sección Ajuste del termostato del horno.
Los alimentos no se asan de manera adecuada	este modelo está diseñado sólo para asado con la puerta cerrada Cierre la puerta. Siempre ase con la puerta cerrada. Los controles del horno están configurados en BROIL (asar). Ver la sección Asado. a sonda está enchufada dentro de la salida del horno. Quite la sonda del horno. Se está usando una posición de bandeja inadecuada. Los recipientes no son adecuados para asar. Use la bandeja para asar y rejilla que vinieron con su estufa. El papel metálico usado en la asadera y la rejilla no se ha colocado de manera correcta y no se han realizado los cortes recomendados.
Sonido de chasquido o traqueo	esto es normal. Es el sonido del metal calentándose y enfriándose durante las funciones de cocción y limpieza.
La temperatura del horno es muy elevada o muy baja	el termostato del horno debe ajustarse. Ver la sección Ajuste del termostato del horno.
F – y un Número Parpadean en la Pantalla	El horno presenta un código de error de función. Gire el Selector de Modo del Horno y las Perillas de Temperatura del Horno a OFF (Apagado). Permita que el horno se enfríe durante una hora. Vuelva a poner el horno en funcionamiento. Desconecte totalmente la corriente del horno durante 30 segundos y vuelva a conectar la misma. Si el código de error de función se repite, llame al servicio técnico.
La pantalla queda en blanco	la pantalla queda en blanco cuando el horno o el temporizador no se encuentran en uso. Un fusible puede haberse quemado o el interruptor de circuitos puede haber saltado. Cambie el fusible o reconfigure el interruptor de circuito.
Aparece “probe” (sonda) en la pantalla	esto le recuerda de ingresar una temperatura de sonda después de enchufarla. Ingrese una temperatura de sonda.
Corte de energía	si el horno se encontraba en uso durante un corte de energía o subida de tensión, el horno debe reconfigurarse. Gire la perilla de temperatura del horno y el selector de modo del horno a OFF (apagado). Reconfigure los controles para comenzar de nuevo.
Sale vapor de la ventilación	Cuando se utiliza el modo por convección, es normal ver vapor saliendo de la ventilación del horno. A medida que el número de bandejas o la cantidad de alimentos a cocinar se incrementa, la cantidad de vapor visible se elevará

CONSEJOS PARA LA SOLUCIÓN DE PROBLEMAS

Problema	Causa Posible
Sale olor a quemado o a aceite desde la ventilación	Esto es normal en un horno nuevo y desaparece con el tiempo.
Olor penetrante	Esto es temporal. Las primeras veces que se utiliza el horno es normal sentir un olor proveniente del aislante que recubre la parte interna del horno.
Se oye un ventilador	Un ventilador de enfriamiento o un ventilador por convección (según la función que se esté utilizando) puede encenderse. Esto es normal. Se encenderá un ventilador de refrigeración para enfriar las piezas internas. Puede funcionar aún después de que el horno se haya apagado. El ventilador por convección puede encenderse y apagarse hasta que termine la función o se abra la puerta.
El ventilador de convección no está encendido en todo momento	El ventilador de convección (dependiendo de la función que esté usando) puede tener un ciclo de encendido y apagado hasta que la función termine y la puerta se abra para un mejor desempeño. Esto es normal. Además, el ventilador de convección puede realizar un ciclo en el sentido del reloj y en sentido contrario hasta que la función termine y la puerta se abra.
El quemador no se enciende	<p>El enchufe en la estufa no está completamente insertado en el tomacorriente eléctrico. Asegúrese de que el cable de electricidad esté enchufado en un tomacorriente correctamente conectado a tierra.</p> <p>El suministro de gas no fue conectado o encendido. Consulte las Instrucciones de Instalación provistas con su estufa.</p> <p>Es posible que un fusible de su hogar se haya quemado o que el disyuntor se haya desconectado. Reemplace el fusible o reinicie el disyuntor.</p> <p>Las piezas del quemador no fueron reemplazadas correctamente. Lea la sección Cuidado y limpieza de la estufa.</p> <p>Es posible que las hendiduras de los quemadores, o el puerto del encendedor redondo en el quemador oval, estén atascados. Retire los quemadores o limpie los mismos. Controle que no haya comida quemada ni grasa en el área del electrodo. Lea la sección de Cuidado y Limpieza de la estufa.</p> <p>Residuos de comida en el electrodo. Suavemente pula el extremo plano del electrodo con una lima de uñas o con una lija hasta que quede brillante.</p>
Los quemadores superiores no queman de forma pareja	<p>Ensamble del quemador inapropiado. Asegúrese de que las tapas de los quemadores estén instaladas correctamente. Consulte Cuidado y limpieza en la sección de la estufa.</p> <p>Las hendiduras al costado del quemador se podrán atascar. Retire los quemadores para su limpieza. Consulte la sección de Cuidado y limpieza de la estufa.</p>
Llamas de los quemadores son muy grandes o amarillas	Promedio inadecuado de aire a gas. Si la estufa es conectada a gas Propano, contacte al técnico que instaló la estufa o que hizo la conversión.
Condensación o neblina en el vidrio interior de la puerta	La condensación o neblina en el interior del vidrio de la puerta del horno es normal durante el precalentamiento del horno y por lo general se evaporará antes del final del ciclo de precalentamiento.
El horno no realiza la auto-limpieza	<p>la temperatura del horno está muy elevada para configurar la función de auto-limpieza. Deje que el horno se enfríe por debajo de la temperatura de bloqueo y reconfigure los controles.</p> <p>Los controles no están bien configurados. Ver la sección Horno auto-limpiante. .</p>
El horno no queda limpio después un ciclo de limpieza	<p>el horno estaba muy sucio. Limpie los derrames más rebeldes antes de iniciar el ciclo de limpieza. Los hornos muy sucios pueden necesitar un nuevo ciclo de auto-limpieza.</p> <p>El horno se encuentra conectado a un suministro eléctrico de 208V. Configure el tiempo de limpieza a 5 horas.</p> <p>Los controles del horno no están bien configurados. Ver la sección Horno auto-limpiante.</p>
Resulta difícil deslizar las bandejas del horno	las bandejas se limpiaron en el ciclo de auto-limpieza y ahora necesitan lubricación periódica. No rocíe con pulverizador para estufar u otros lubricantes en spray. Ver Bandejas del horno de extensión total en la sección Cuidado y Limpieza.
El temporizador no funciona	el temporizador no puede utilizarse mientras el horno está efectuando la auto-limpieza.
"Err turn surface burners off" aparece en la pantalla	la auto-limpieza está en progreso y la función de bloqueo de la estufa está activada. No se permite cocinar en la superficie durante la operación de la auto-limpieza. Espere a que la operación de auto-limpieza se haya completado.
En la pantalla aparece "close door" (cerrar puerta)	se ha seleccionado el ciclo de auto-limpieza pero la puerta no está cerrada. Cierre la puerta del horno. El símbolo  aparecerá en la pantalla.

GARANTÍA LIMITADA DE MONOGRAM

Monogram.com

Todo el servicio de garantía es provisto por nuestros Centros de Servicio de Fábrica, o por un técnico autorizado de Customer Care® (Servicio al Cliente). Para programar el servicio a través de Internet, visítenos en Bodewell.com/schedule-repair-service, o llamando al 833-4BODEWELL. En Canada, monogram.ca/en/contact.

Para realizar el servicio técnico de su electrodoméstico, se podrá requerir el uso de datos del puerto de abordaje para su diagnóstico. Esto da al técnico del servicio de fábrica de Monogram la habilidad de diagnosticar de forma rápida cualquier problema con su electrodoméstico, y de ayudar a Monogram a mejorar sus productos al brindarle a Monogram la información sobre su electrodoméstico. Si no desea que los datos de su electrodoméstico sean enviados a Monogram, solicitamos que le indique a su técnico no entregar los datos a Monogram en el momento del servicio.

Por el Período de	Monogram Appliances reemplazará
Garantía limitada de dos a—os	Durante dos años a partir de la fecha original de compra, otorgaremos, en forma gratuita, piezas y servicio técnico en su hogar para reparar o reemplazar cualquier parte de su estufa que falle debido a defectos en la fabricación.
Garantía limitada de cinco a—os	Durante cinco años a partir de la fecha original de compra, otorgaremos, en forma gratuita, quemadores de superficie a gas de repuesto si fallan a partir de un uso doméstico normal. (La plancha y quemadores del horno no están incluidos). Usted deberá pagar las visitas a su domicilio y todos costos de mano de obra.
Garantía de por vida limitada	Durante la vida útil de las bandejas del horno de esmalte de porcelana gris, otorgaremos, en forma gratuita, bandejas de repuesto si fallan bajo un uso doméstico normal. Usted deberá pagar las visitas a su domicilio y todos costos de mano de obra.

Qué no cubrirá Monogram:

- Visitas a su hogar para enseñarle a usar el producto.
- Decoloración de la placa de la plancha o de las bandejas del horno.
- Saltado de las rejillas de esmalte de porcelana o de las bandejas del horno.
- Reemplazo de fusibles domésticos o la reconfiguración de los interruptores de circuito.
- Daños incidentales o resultantes provocados por posibles defectos de este aparato.
- Daños provocados después de la entrega.
- Daños al producto provocados por accidentes, incendios, inundaciones o fuerza mayor.
- Fallas del producto si se utiliza para un objetivo diferente del previsto o si se usa en forma comercial.
- Instalación, entrega o mantenimiento inadecuados.
Si tiene un problema con la instalación, comuníquese con su vendedor o instalador. Usted es responsable de suministrar adecuadas instalaciones eléctricas, de gas, de salida y otras conexiones como se describe en las Instrucciones de Instalación incluidas con el producto.
- Producto no accesible para prestar el servicio técnico solicitado.

EXCLUSIÓN DE GARANTÍAS IMPLÍCITAS — Su única y exclusiva alternativa es la reparación del producto, como se indica en esta Garantía Limitada. Las garantías implícitas, incluyendo garantías implícitas de comerciabilidad o conveniencia sobre un propósito particular, se limitan a un año o al período más corto permitido por la ley.

Esta garantía limitada se extiende al comprador original y a cualquier dueño subsiguiente de productos comprados para uso hogareño dentro de EE.UU. Si el producto se encuentra en un área donde no se encuentra disponible un proveedor autorizado del servicio técnico, usted será responsable por el costo de un viaje o se le podrá requerir que traiga el producto a una ubicación Autorizada del Servicio Técnico. En Alaska, la garantía limitada excluye el costo de envío o llamadas del servicio a su hogar.

Algunos estados no permiten la exclusión o limitación de daños fortuitos o consecuentes. Esta garantía limitada le da derechos legales específicos y es posible que tenga otros derechos legales que varían entre un estado y otro. Para conocer cuáles son sus derechos legales, consulte a la oficina de asuntos del consumidor local o estatal o al Fiscal de su estado.

Garante: GE Appliances, a Haier company,
Louisville KY, 40225

En Canadá (incluida la provincia de Quebec) : Esta garantía limitada se entrega al comprador original y a cualquier dueño futuro para cubrir productos comprados en Canadá, incluido Quebec, para su uso doméstico dentro de Canadá e incluso Quebec. Si el producto se encuentra en una zona donde no haya servicio disponible por parte de un Reparador Autorizado de Monogram, es posible que deba asumir los costos de traslado o llevar el producto a un Centro de Servicio Autorizado de Monogram.

En algunas provincias, entre las que se incluye Quebec, no se permite la exclusión o limitación de daños incidentales o consecuentes. Esta garantía le otorga derechos legales específicos, y usted puede tener otros derechos que varían según la jurisdicción, incluida la provincia de Quebec. Consulte la oficina de defensa al consumidor de su ciudad o provincia para conocer sus derechos.

Solo para consumidores de Quebec. Aviso de la garantía de disponibilidad de repuestos, servicios de reparación e información necesaria para reparaciones o mantenimiento (sección 39 de la Ley de Defensa al Consumidor):

Recuerde que MC Commercial Inc. («MC Commercial») no garantiza, de acuerdo con el contenido de la sección 39 de la Ley de Defensa al Consumidor, CQLR, c. P-40.1 y las secciones 79.18 a 79.20 de la Regulación respecto de la aplicación de la Ley de Defensa al Consumidor, CQLR, c. P-40.1, r. 3, la disponibilidad de repuestos, servicios de reparación o la información necesaria para el mantenimiento o la reparación de bienes manufacturados, importados, publicitados o vendidos por MC Commercial.

MC Commercial Inc. ofrece la garantía limitada del fabricante tal como se expresa en el Manual o la Guía Rápida del Propietario, que es distinta de la garantía legal de disponibilidad provista de acuerdo con la sección 39 de la Ley de Defensa al Consumidor.

Garante: MC Commercial Inc., Burlington, ON, L7L 6B2

Staple your receipt here. Proof of the original purchase date is needed to obtain service under the warranty.

