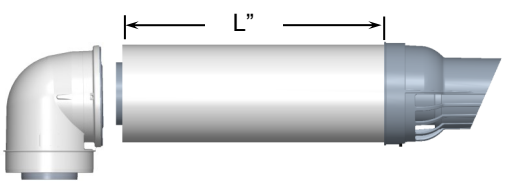


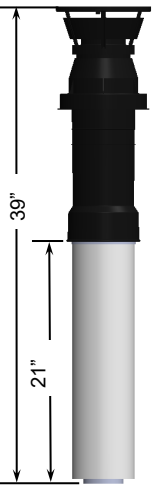
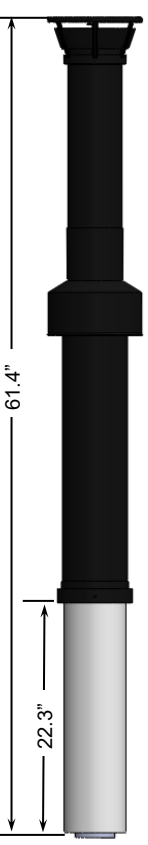
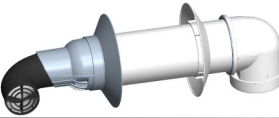
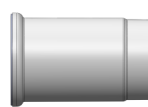
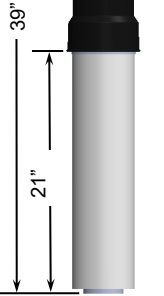
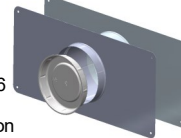
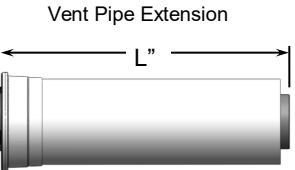
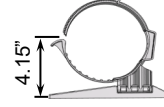


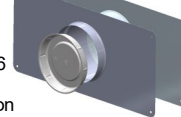

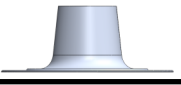

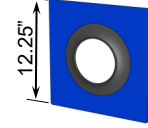
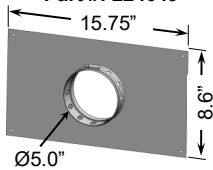

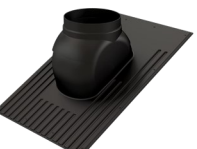
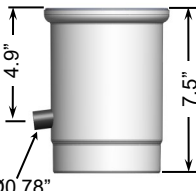
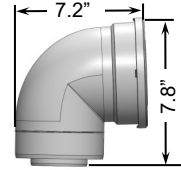
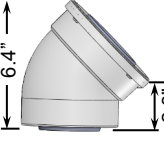


## Ubbink Vent Components - Concentric Non-Condensing

- For concentric venting, non-condensing models.
- Current water heater models incorporate a condensate collector and do not require an “adapter” vent component. (For models manufactured prior to 2008, a separate condensate collector is available.)
- Plastic vent components consist of an outer plastic vent for the air intake (ø5”) and an inner metal vent for the exhaust gases (Ø3”).

Refer to the Rinnai Installation and Operation Manual and the Ubbink installation instructions for complete installation details and requirements.

### PLASTIC VENT COMPONENTS (Plastic Outer Pipe, Metal Inner Pipe)

<b>Universal Non-Condensing Termination Kit</b> 		<b>Rubber Wall Plate</b> <b>Part #: 710342 (White)</b> <b>Part #: 710602 (Black)</b> <b>Part #: 711390 (Grey)</b> 		<b>Roof Termination Extension Kit</b> <b>Part #: 185342</b> 		<b>Roof Discharge Termination 18"</b> <b>Part #: 184118-S</b> 		<b>Roof Discharge Termination 38" (Cold Climate)</b> <b>Part #: 184119</b> 																	
<table border="1"> <thead> <tr> <th colspan="2">Termination Kit (termination, elbow, rubber wall plates)</th> <th colspan="2">Termination Only</th> </tr> <tr> <th>Length "L"</th> <th>Part #</th> <th>Length "L"</th> <th>Part #</th> </tr> </thead> <tbody> <tr> <td>11.5"</td> <td>223181</td> <td></td> <td></td> </tr> <tr> <td>21"</td> <td>223182</td> <td>21"</td> <td>223184</td> </tr> </tbody> </table>		Termination Kit (termination, elbow, rubber wall plates)		Termination Only		Length "L"	Part #	Length "L"	Part #	11.5"	223181			21"	223182	21"	223184	<b>(21" Non-Condensing Horizontal Termination Diverter Kit)</b> <b>Part #: 223187</b> 		<b>Telescoping Vent</b> <b>Part #: 224054</b> 		<b>Effective Length 2.2-12 Inches</b> 		<b>3/5 (80/125) Thimble</b> <b>Part #: 224045</b> 	
Termination Kit (termination, elbow, rubber wall plates)		Termination Only																							
Length "L"	Part #	Length "L"	Part #																						
11.5"	223181																								
21"	223182	21"	223184																						
<b>Vent Pipe Extension</b>  <table border="1"> <thead> <tr> <th>Length "L"</th> <th>Part #</th> </tr> </thead> <tbody> <tr> <td>10"</td> <td>224051</td> </tr> <tr> <td>19.5"</td> <td>224052</td> </tr> <tr> <td>39"</td> <td>224053</td> </tr> </tbody> </table>		Length "L"	Part #	10"	224051	19.5"	224052	39"	224053	<b>Pipe Clamp Universal Plastic*</b> <b>Part #: 169044</b> 		<b>Condensate Trap</b> <b>Part #: 222053</b> 		<b>Universal Bug Guard</b> <b>Part #: 224042</b> 		<b>*Fits 2x4 or 2x6 Wall Construction</b> 									
Length "L"	Part #																								
10"	224051																								
19.5"	224052																								
39"	224053																								
<b>Raised Horizontal Termination Kit "Snorkel"</b> <b>Part #: 224046</b> 		<b>Roof Flashing Assembly- Flat*</b> <b>Part #: 146141</b> 		<b>Flashing for Metal Roof*</b> <b>Part #: 242141</b> 		<b>3/5 (80/125) Horizontal Flashing Panel</b> <b>Part #: 102000012</b> 		<b>3/5 (80/125) Vent Support Bracket</b> <b>Part #: 224049</b> 																	
<b>Roof Flashing for Tile Roofs*</b> 		<b>Multi Pitch Roof Flashing for Shingle and Slate Roofs*</b> <b>Part #: 189958</b> 		<b>Condensate Collector</b> <b>Part #: 224069</b> 		<b>90 Degree Elbow</b> <b>Part #: 224063</b> 		<b>45 Degree Elbow</b> <b>Part #: 224050</b> 																	
<b>Kit Includes:</b> 14.2" vent extension, Qty 3-90° Elbow, 19.5" vent pipe extension, special wall terminal and cover.		<table border="1"> <thead> <tr> <th>Pitch</th> <th>Part #</th> </tr> </thead> <tbody> <tr> <td>1/12 to 6/12</td> <td>50171949</td> </tr> <tr> <td>6/12 to 12/12</td> <td>50171961</td> </tr> <tr> <td>8/12 to 16/12</td> <td>50171954</td> </tr> </tbody> </table>		Pitch	Part #	1/12 to 6/12	50171949	6/12 to 12/12	50171961	8/12 to 16/12	50171954	<table border="1"> <thead> <tr> <th>Pitch</th> </tr> </thead> <tbody> <tr> <td>1/12 to 16/12</td> </tr> </tbody> </table>		Pitch	1/12 to 16/12	ø0.78"		7.2" / 7.8"		6.4" / 2.3"					
Pitch	Part #																								
1/12 to 6/12	50171949																								
6/12 to 12/12	50171961																								
8/12 to 16/12	50171954																								
Pitch																									
1/12 to 16/12																									