



# 316SS Marine Grade

Pull handles



The Schlage range of pull handles has been designed for use on residential and commercial applications. This includes interior and exterior doors for use in retail, educational, institutional, governmental, medical, public buildings, as well as residential homes.

The Schlage pull handle range includes both round and square tubular designs. Entrance handles can be fixed to timber, aluminium and glass doors. Designed with high quality 316 Marine Grade Stainless Steel to provide greater durability and minimise maintenance.



## Features

- 316 Marine grade satin stainless steel construction
- Suitable for standard back to back or optional single side installation
- Concealed grub screw fixing
- Custom sizes available on request

Warranties	
Mechanical	10 years
Finish	<a href="http://allegion.co.nz/finisheswarranty">allegion.co.nz/finisheswarranty</a>

# Specification guide

Brand	Stainless Steel grade	Design code	Length	Finish
Schlage.....S	Grade..... 316	Andor.....1 Dego.....2 Turin.....3 Trento.....4 Verona.....5 Capri.....6 Corfu.....7 Silvi.....8	Refer to following pages	Polished stainless steel .....PSS Satin black chrome .....SBC Satin stainless steel.....SSS

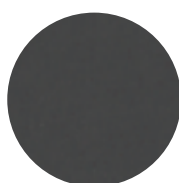
- 1. Design code**  
Select the required design code e.g. Corfu ..... S316-7
- 2. Pull handle length**  
Select the desired size - refer following pages e.g. -600 ..... S316-7-600
- 3. Finish**  
Select the desired finish e.g. Satin black chrome ..... S316-7-600-SBC

## Finishes



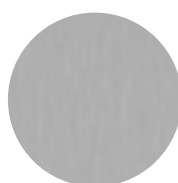
**PSS**

Polished  
Stainless Steel  
(on special request)



**SBC**

Satin Black  
Chrome



**SSS**

Satin Stainless  
Steel

## Technical specifications

<b>Door thickness</b>	Timber & aluminium: 32mm to 70mm (Verona 32mm to 55mm) Glass: 10mm to 15mm
<b>Door type</b>	Timber, aluminium and glass
<b>Fixing centres</b>	Refer to individual handle dimensions
<b>Fixing</b>	Back to back (standard) Single side
<b>Materials</b>	Stainless steel grade 316
<b>Accessories</b>	Single side fixing bolt (S316SFK)

### Drilling Details

Door type	Tube size ø	Hole size
Timber	32mm	10mm
Aluminium	32mm	10mm
Glass	32mm	14mm

## Testing and Compliance



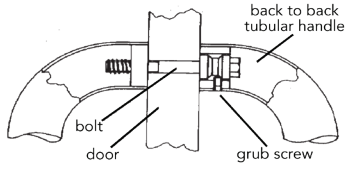
**Accessibility:**  
Compliant to the AS 1428:1-2009 Design for Access and Mobility

**Caution:**  
When door closers are installed and adjusted to meet reduced opening force requirements, there may be insufficient power to reliably close and latch the door, depending on prevailing operating conditions.

**Note:**  
In areas of high wind pressure and/or air conditioning pressures, the LCN Automatic Door Operators are recommended.

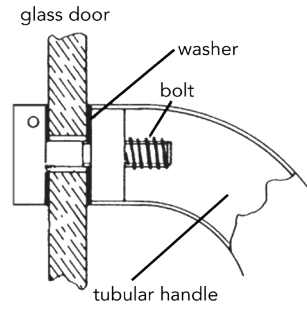
# Fixing detail

## Back to back standard fixing



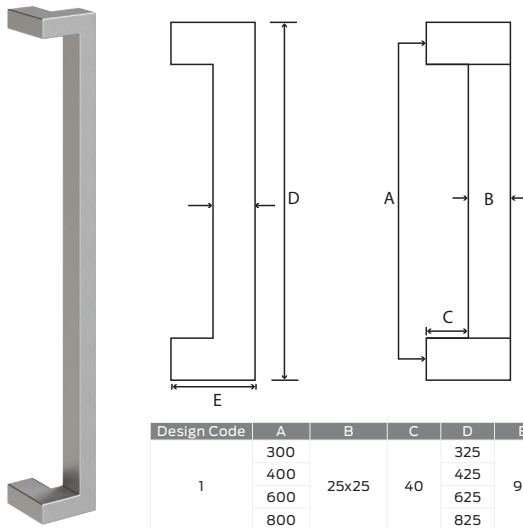
Standard fixing supplied with:  
2 x 45mm M8 screw  
2 x 100mm M8 screw

## Single side fixing

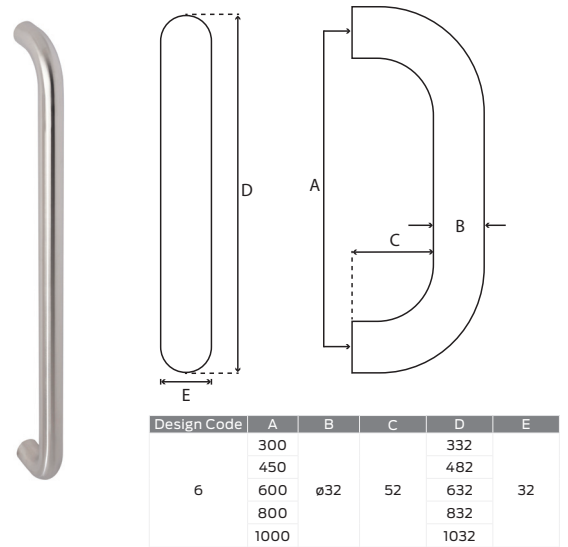


For single side fixing, please order accessory kit S316SFK

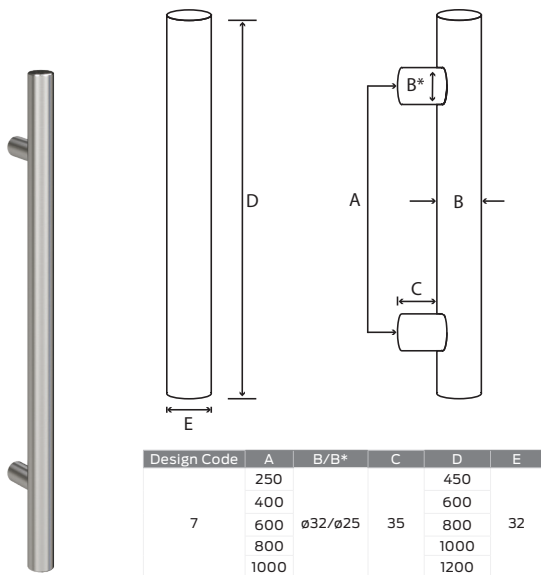
### Andor



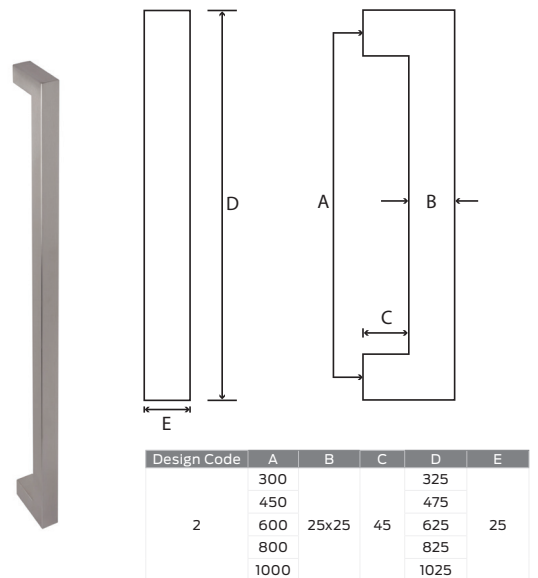
### Capri



### Corfu



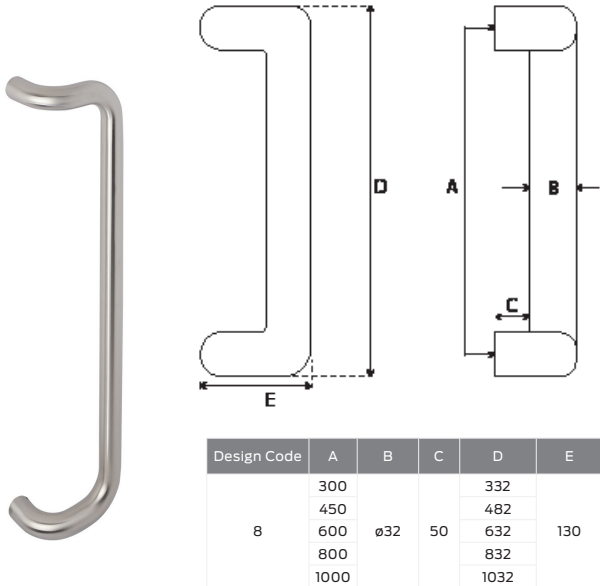
### Deگو



Handle Dimensions				
A	B	C	D	E
Fixing centres	Grip width x depth	Clearance from door	Overall height	Overall width

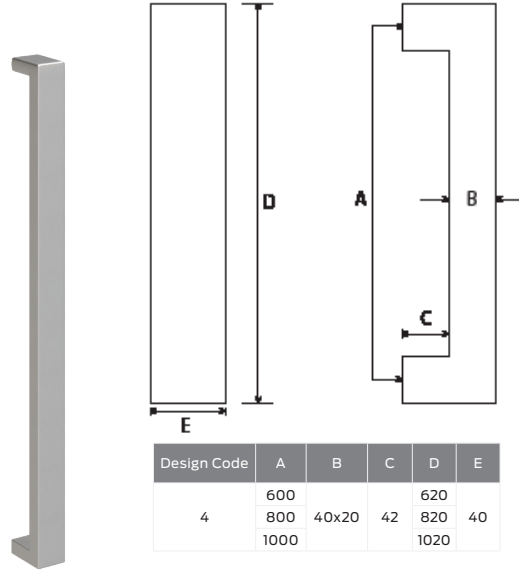
\*Handle projection  
= B + C

## Silvi



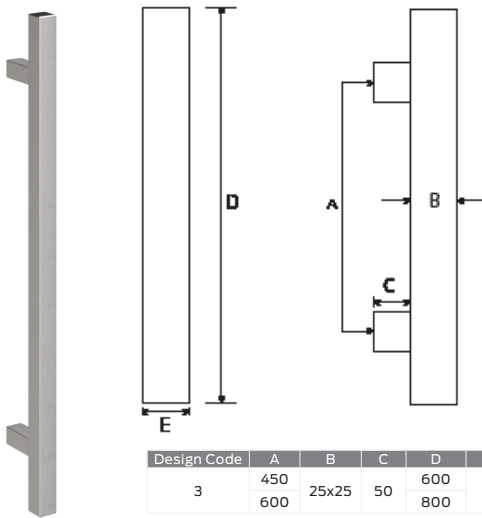
Design Code	A	B	C	D	E
8	300			332	
	450			482	
	600	ø32	50	632	130
	800			832	
	1000			1032	

## Trento



Design Code	A	B	C	D	E
4	600			620	
	800	40x20	42	820	40
	1000			1020	

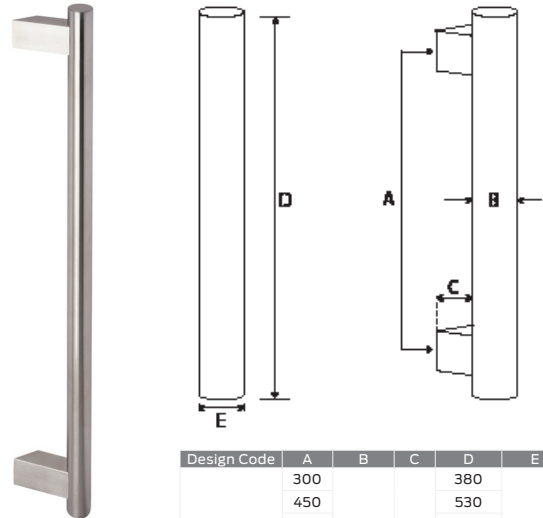
## Turin



Design Code	A	B	C	D	E
3	450	25x25	50	600	25
	600			800	

## Verona

 SSS only



Design Code	A	B	C	D	E
5	300			380	
	450			530	
	600	ø32	35	680	32
	800			880	
	1000			1080	

Handle Dimensions				
A	B	C	D	E
Fixing centres	Grip width x depth	Clearance from door	Overall height	Overall width

\*Handle projection  
= B + C