





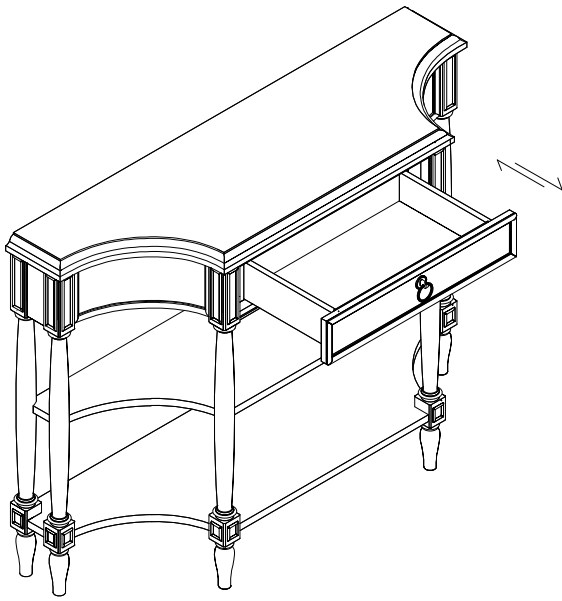
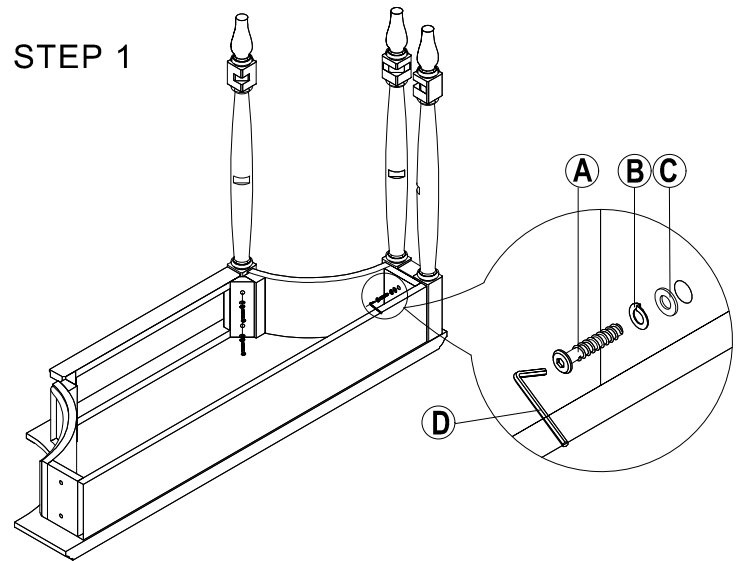


HARDWARE ENCLOSED

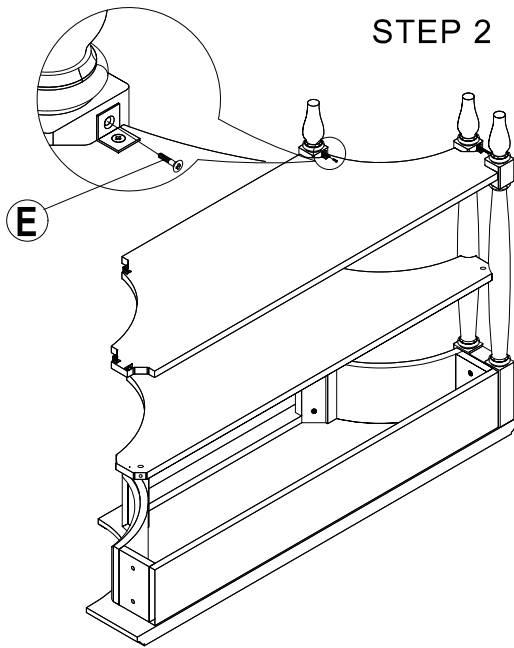
| | | | |
|---|---|----------------------------|----------|
| A |  | Allen bolt 6X60 | 8 pieces |
| B |  | Spring Washer | 8 pieces |
| C |  | Flat Washer | 8 pieces |
| D |  | Allen Wrench | 1 piece |
| E |  | Screw 6 X $\frac{5}{8}$ " | 6 pieces |
| F |  | Screw 8 X $1\frac{1}{2}$ " | 4 pieces |



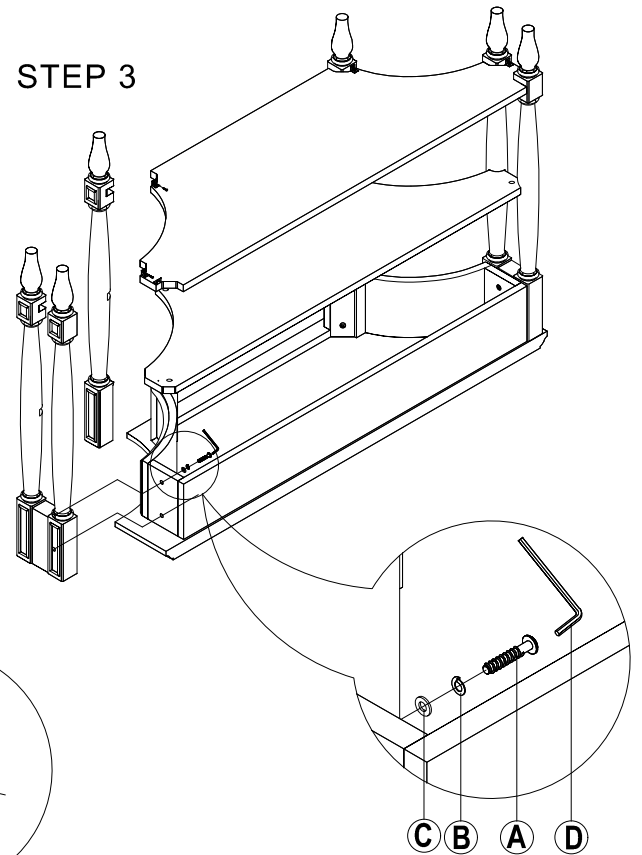
STEP 1



STEP 2



STEP 3



STEP 4

