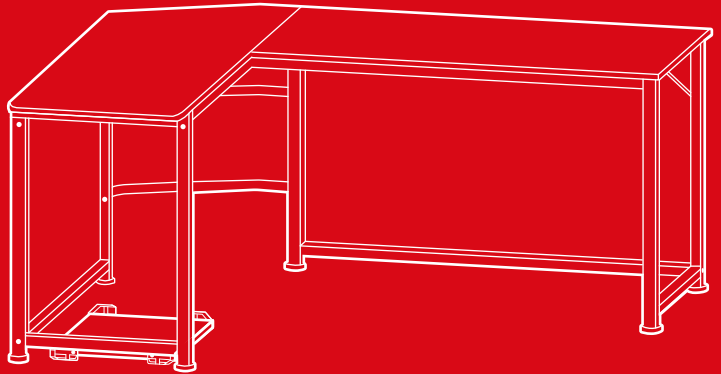




bestchoiceproducts



INSTRUCTION MANUAL

L-Shaped Computer
Desk with CPU Stand

! NOTICE

Please retain these instructions for future reference.

- Please do not exceed the weight limitations of this item.
- Do not stand on or use any part of this item as a step ladder.
- Firmly secure all bolts, screws and knobs before use.
- Reconfirm that all bolts, screws, and knobs are secure every 90 days.
- Fasten screws loosely during initial assembly. Do not firmly tighten the screws until the item is completely assembled.
- Do not use or store this item in the proximity of open flame or flammable/combustible chemicals.
- Be aware that some parts are heavy and have sharp edges.
- If any parts are missing, broken, damaged, or worn, stop using this product until repairs are made and/or factory replacement parts are installed.
- Do not use this item in a way inconsistent with the manufacturer's instructions as this could void the product warranty.

TOOLS



ALLEN WRENCH
(PROVIDED)



110 LBS
CAPACITY



1-2 PEOPLE
ASSEMBLY



APPROXIMATELY
45 MIN.
ASSEMBLY

HARDWARE

1

M6x15mm SCREW



9 PCS

2

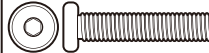
6x40mm SCREW



12 PCS

3

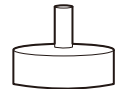
M6x45mm SCREW



11 PCS

4

FOOT



6 PCS

PARTS

A

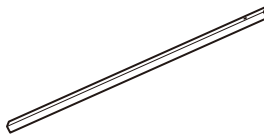
FRAME SIDE



2 PCS

B

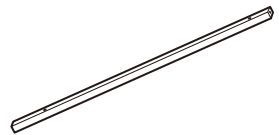
RIGHT FRONT FRAME



1 PC

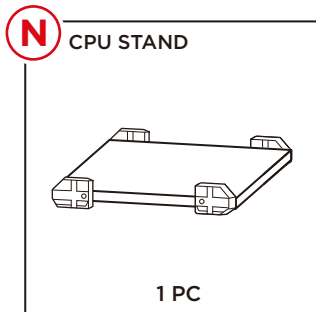
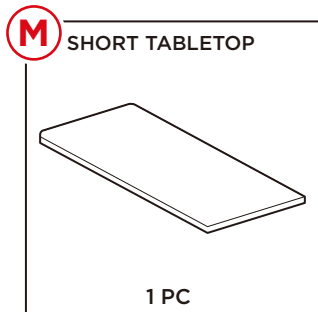
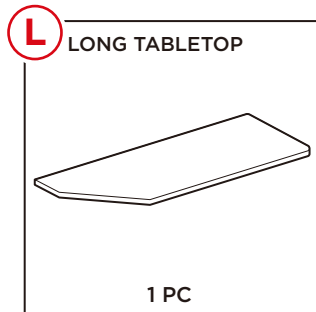
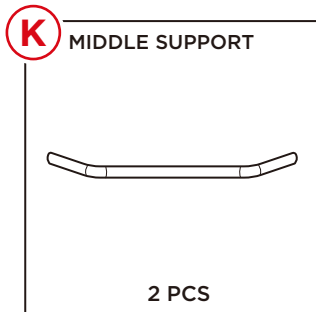
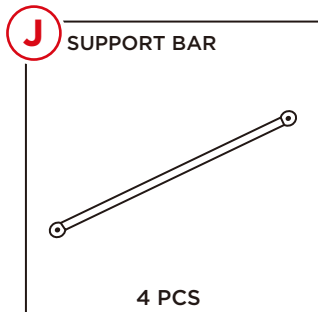
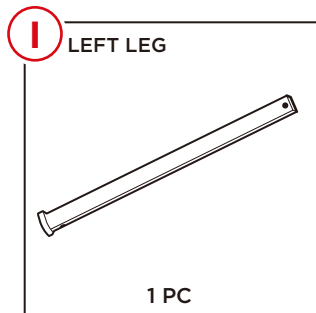
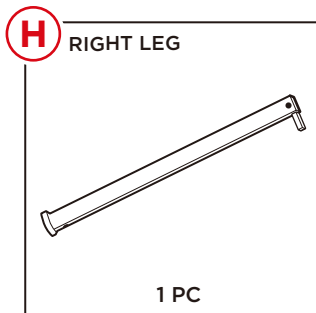
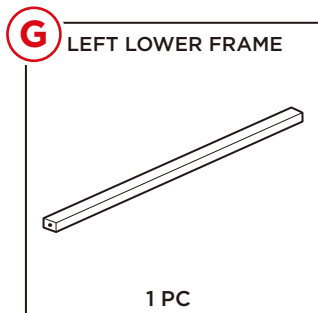
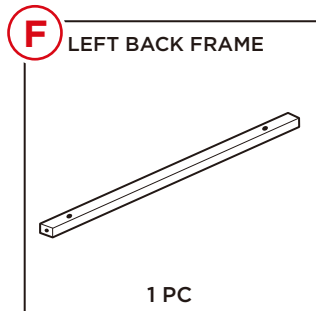
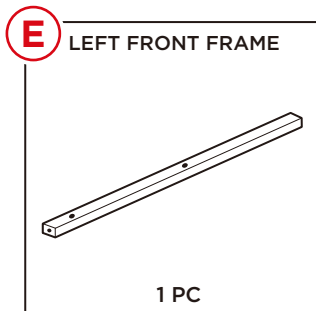
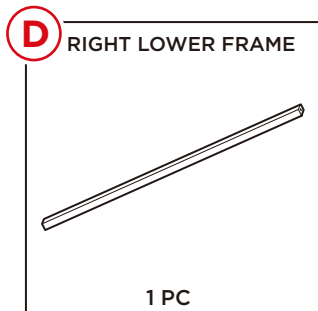
C

RIGHT BACK FRAME



1 PC

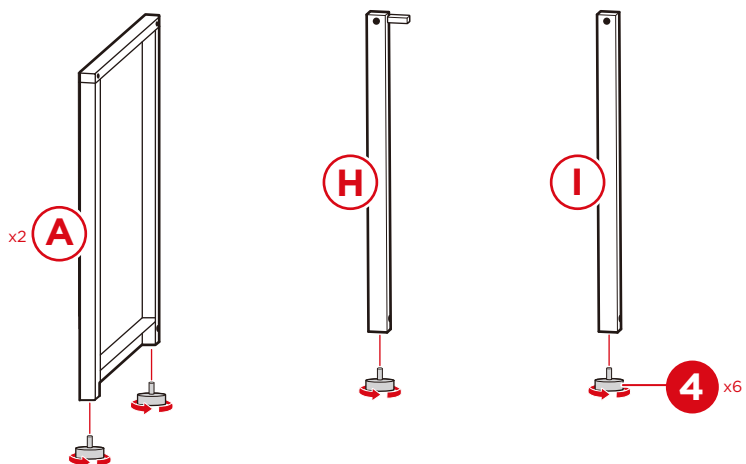
PARTS



PRODUCT ASSEMBLY

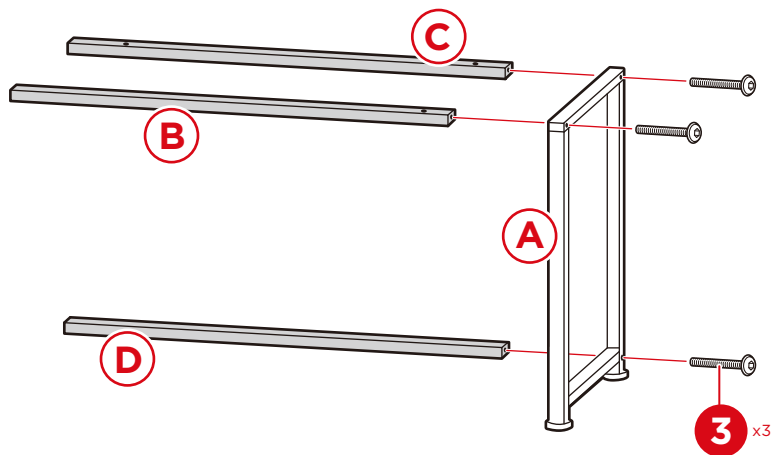
1

Screw six part 4 feet into two part A frame sides, a part H right leg, and part I left leg.



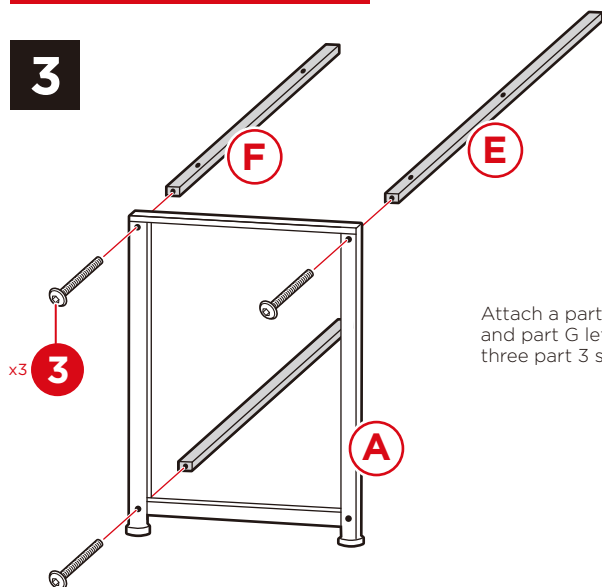
2

Attach a part B right front frame, part C right back frame, and part D right lower frame to a part A frame side with three part 3 screws.



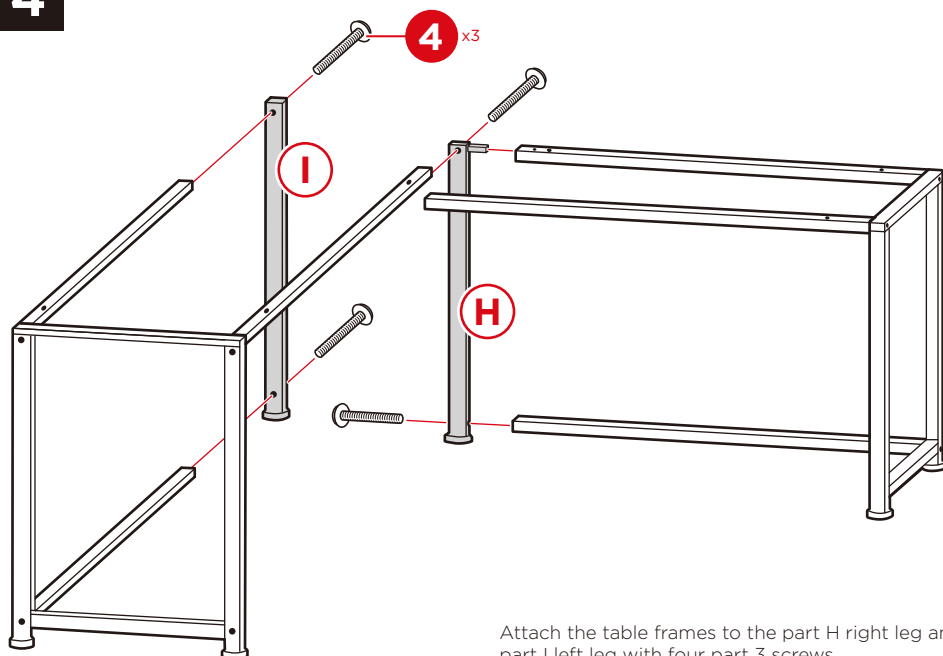
PRODUCT ASSEMBLY

3



Attach a part E left front frame, part F left back frame, and part G left lower frame to a part A frame side with three part 3 screws.

4

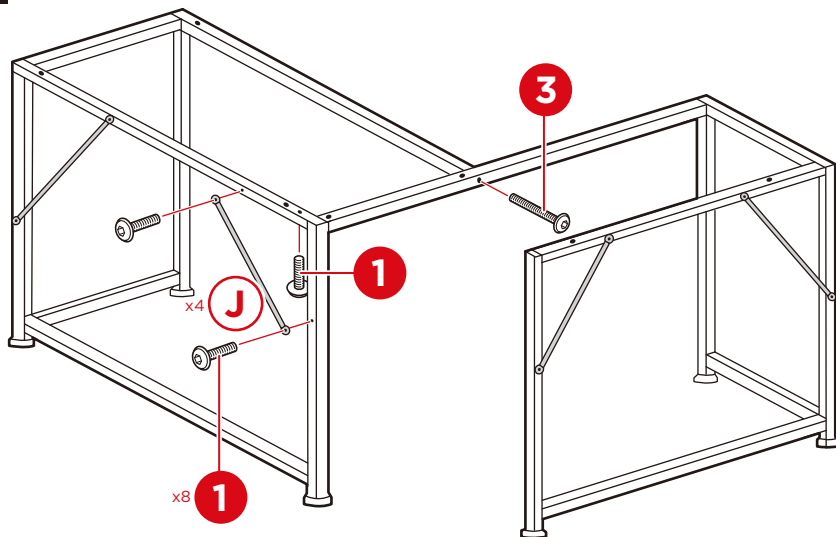


Attach the table frames to the part H right leg and part I left leg with four part 3 screws.

PRODUCT ASSEMBLY

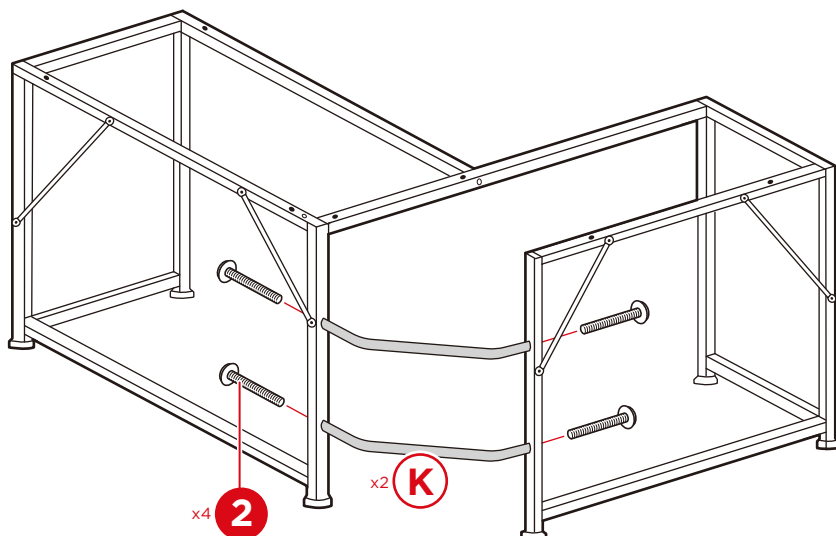
5

Secure the table frames with a part 3 screw and part 1 screw. Attach four part J support bars with eight part 1 screws.



6

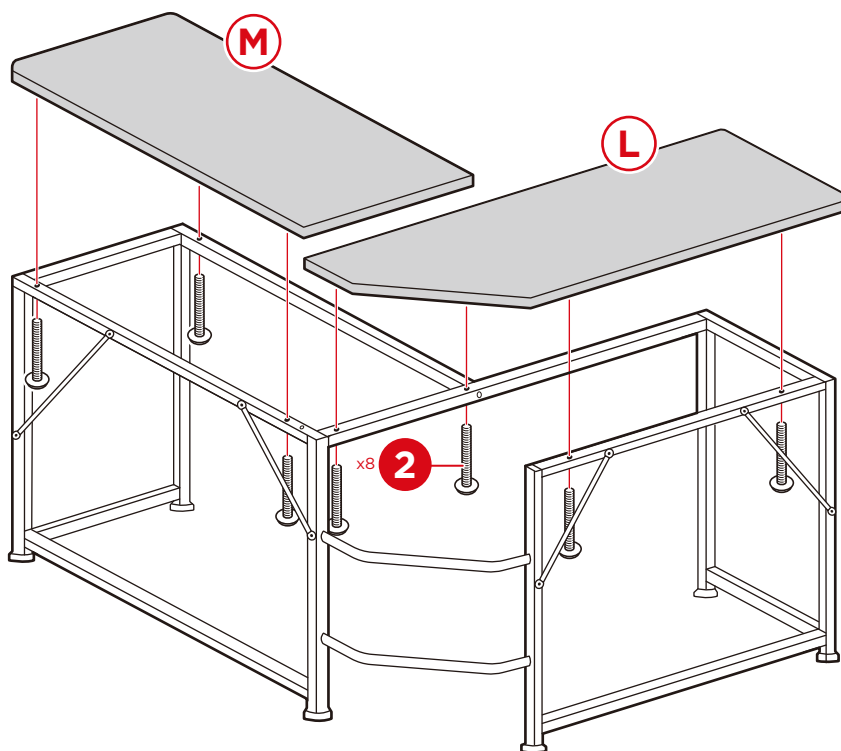
Attach two part K middle supports with four part 2 screws.



PRODUCT ASSEMBLY

7

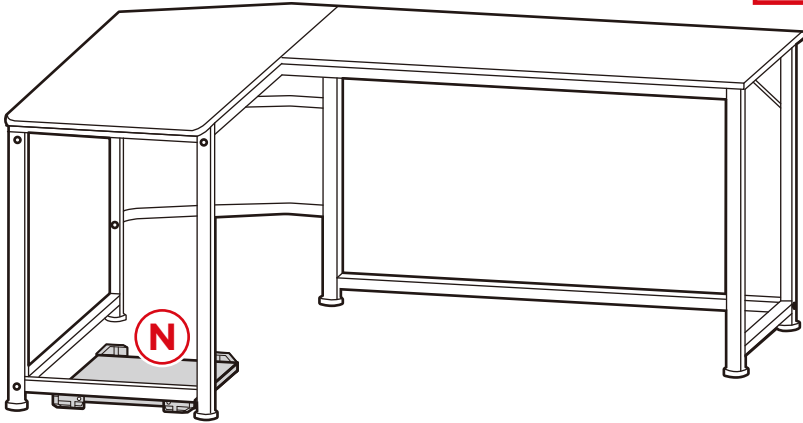
Attach the part L long tabletop and part M short tabletop with eight part 2 screws.



ENJOY YOUR PRODUCT!

bcp

Place the part N CPU stand.



PRODUCT WARRANTY INFORMATION

All items can be returned for any reason within 60 days of the receipt and will receive a full refund as long as the item is returned in its original product packaging and all accessories from its original shipment are included. All returned items will receive a full refund back to the original payment method. All returned items will not be charged a re-stocking fee.

All returned items require an RA (Return Authorization) number, which can only be provided by a Best Choice Products Customer Service Representative when the return request is submitted. Items received without an RA may not be accepted or may increase your return processing time. Once an item has been received by Best Choice Products, refunds or replacements will be processed within 5 business days.

All returns must be shipped back to the Best Choice Products Return Center at the customer's expense. If the reason for return is a result of an error by Best Choice Products then Best Choice Products will provide a pre-paid shipping label via email. Boxes for return shipping will not be provided by Best Choice Products, and is the customer's responsibility to either use the original shipping boxes or purchase new boxes.

Pictures may be required for some returns to ensure an item is not damaged prior to its return. Items returned are not considered undamaged until they are received by Best Choice Products and verified as such. All damages to items are the customer's responsibility until the item has been received by and acknowledge by Best Choice Products as undamaged.

CONTACT US; WE'RE HERE 7 DAYS A WEEK TO HELP YOU!



bestchoiceproducts.com



customerservice@bestchoiceproducts.com



844.948.8400



[LEARN MORE!](#)

WARNING

Manufacturer and seller expressly disclaim any and all liability for personal injury, property damage or loss, whether direct, indirect, or incidental, resulting from the incorrect attachment, improper use, inadequate maintenance, or neglect of this product.