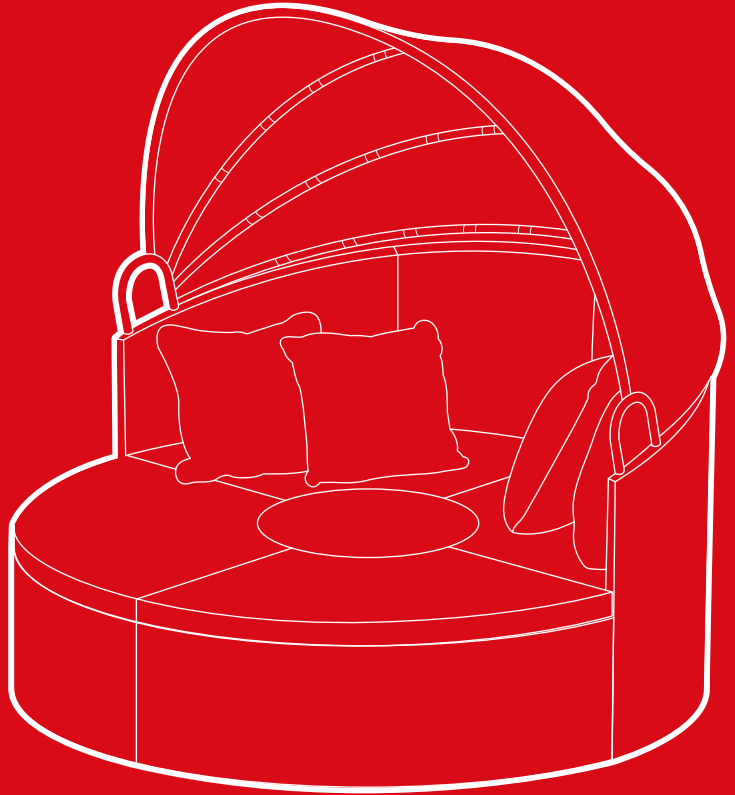




bestchoiceproducts



INSTRUCTION MANUAL

5-Piece Wicker Daybed

! NOTICE

- Please do not exceed the weight limitations of this item.
- Do not stand on or use any part of this item as a step ladder.
- Firmly secure all bolts, screws and knobs before use.
- Reconfirm that all bolts, screws, and knobs are secure every 90 days.
- Fasten screws loosely during initial assembly. Do not firmly tighten the screws until the item is completely assembled.
- Do not use or store this item in the proximity of open flame or flammable/combustible chemicals.
- Be aware that some parts are heavy and have sharp edges.
- If any parts are missing, broken, damaged, or worn, stop using this product until repairs are made and/or factory replacement parts are installed.
- Do not use this item in a way inconsistent with the manufacturer's instructions as this could void the product warranty.

TOOLS REQUIRED



ALLEN WRENCH
(PROVIDED)



WRENCH
(PROVIDED)



260 LBS
CAPACITY
PER SEAT



2 PERSON
ASSEMBLY



UP TO 120 MIN.
ASSEMBLY

HARDWARE

1 M6 WASHER



111 PCS

2 M6 X 20MM SCREW



23 PCS

3 M6 X 35MM SCREW



46 PCS

4 M6 X 50MM BOLT



13 PCS

5 M6 X 15MM BOLT



4 PCS

6 M6 NUT



28 PCS

7 PLATE



10 PCS

10 SPACER



4 PCS

11 M6 NUT CAP



12 PCS

12 ARM



2 PCS

13 FOOT



21 PCS

14 METAL RING



3 PCS

15 CLIP



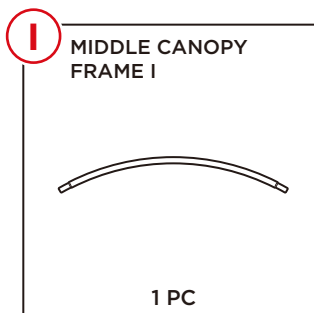
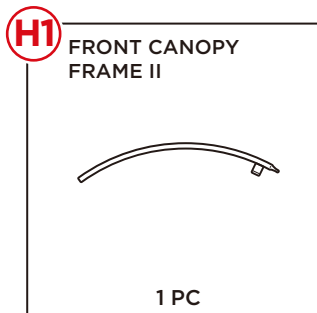
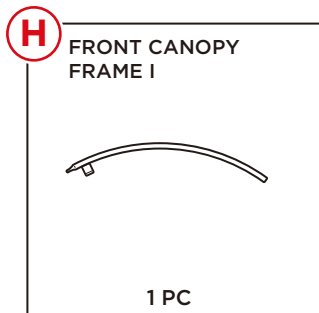
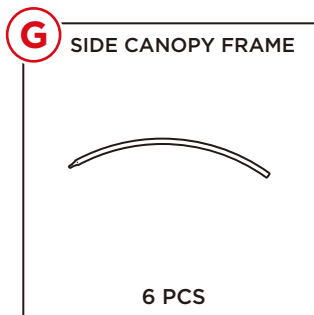
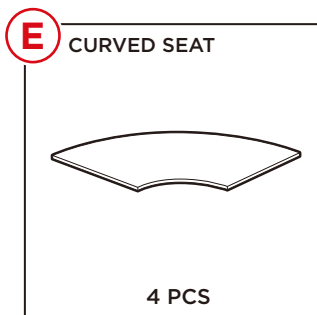
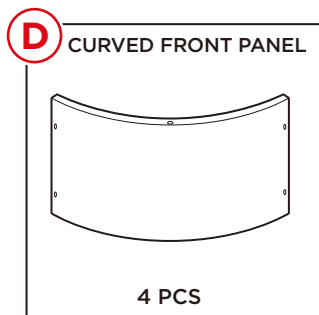
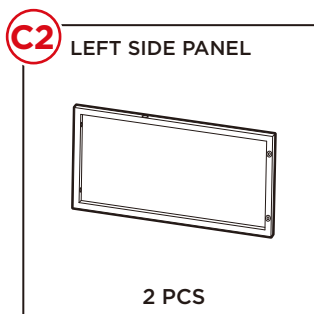
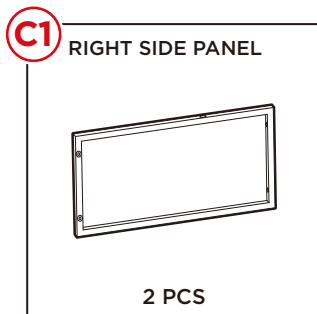
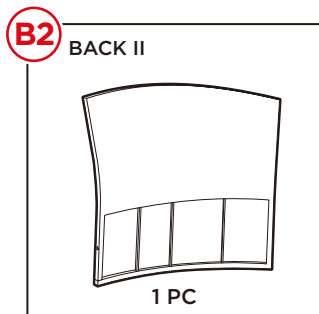
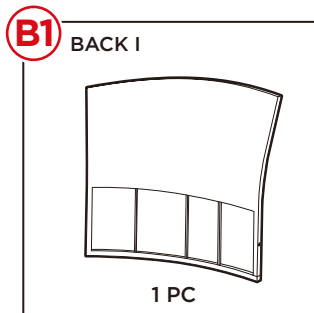
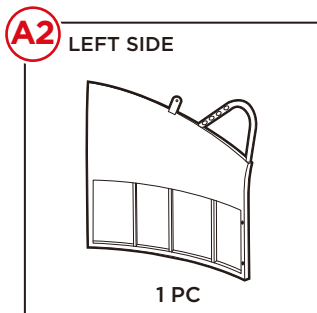
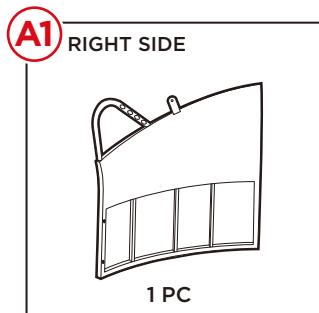
6 PCS

16 COVER

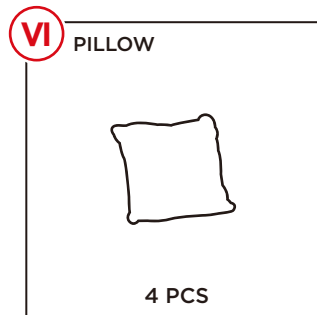
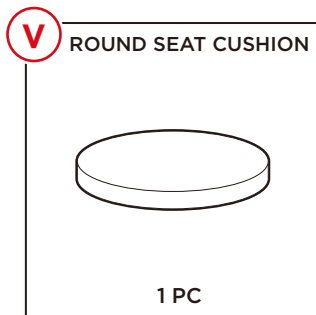
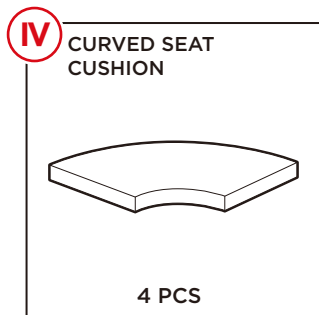
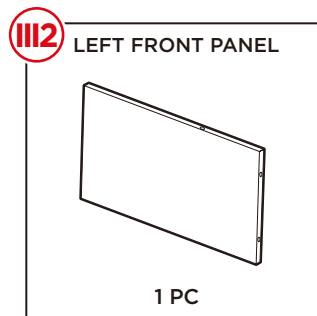
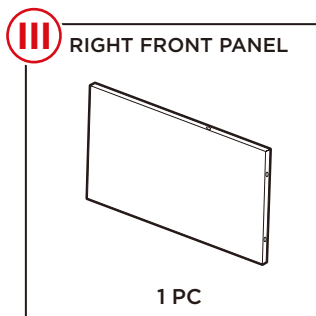
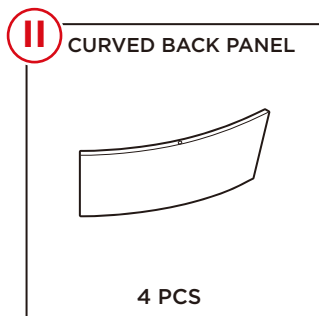
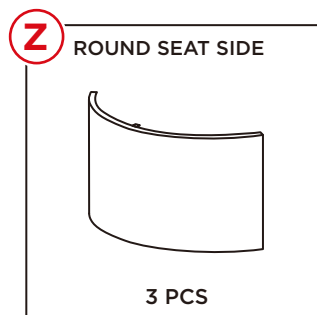
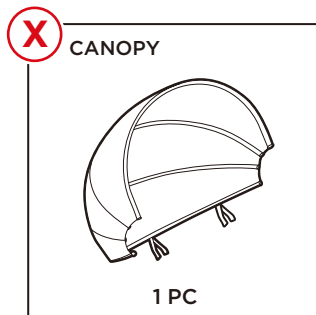
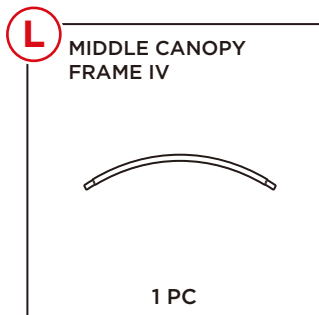
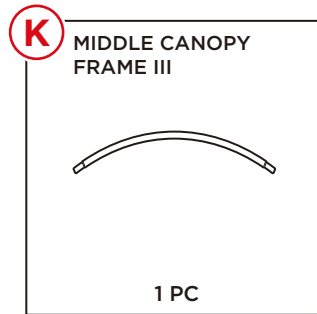
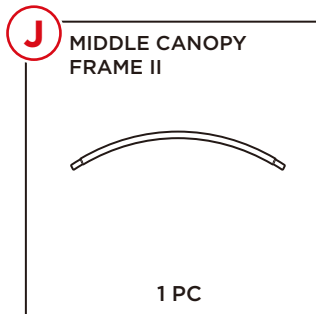
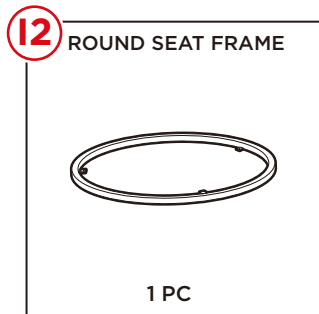


1 PC

PARTS



PARTS



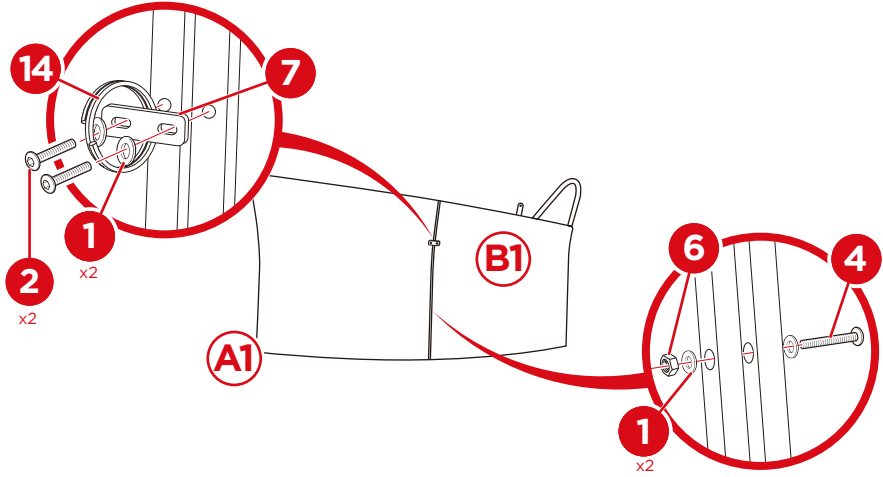
PRODUCT ASSEMBLY - DAY BED

1

Slide a part 14 metal ring onto a part 7 plate.

Attach the top of the part A1 right side to part B1 back I with the plate/ring and two part 2 screws and two part 1 washers.

Attach the bottom with a part 4 bolt, two part 1 washers, and a part 6 nut.

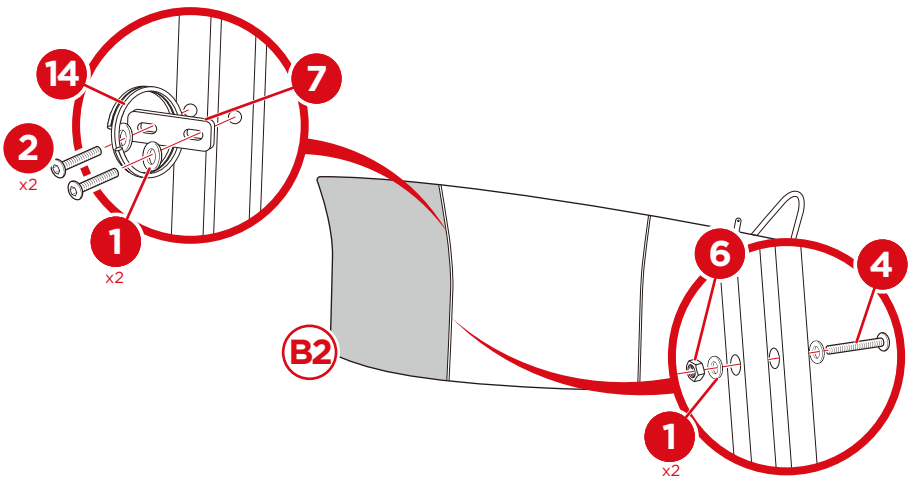


2

Slide a part 14 metal ring onto a part 7 plate.

Attach the top of the part B2 back II with the plate/ring and two part 2 screws and two part 1 washers.

Attach the bottom with a part 4 bolt, two part 1 washers, and a part 6 nut.



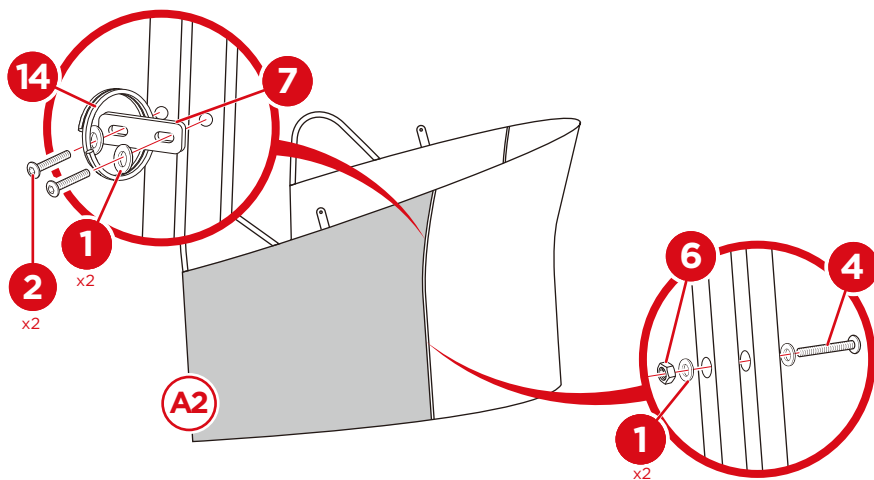
PRODUCT ASSEMBLY - DAY BED

3

Slide a part 14 metal ring onto a part 7 plate.

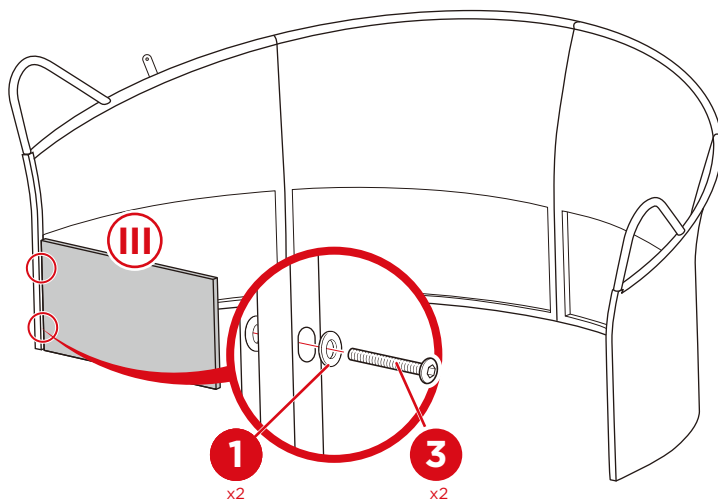
Attach the top of the part A2 left side with the plate/ring and two part 2 screws and two part 1 washers.

Attach the bottom with a part 4 bolt, two part 1 washers, and a part 6 nut.



4

Attach the part III right front panel with two part 3 screws and two part 1 washers.

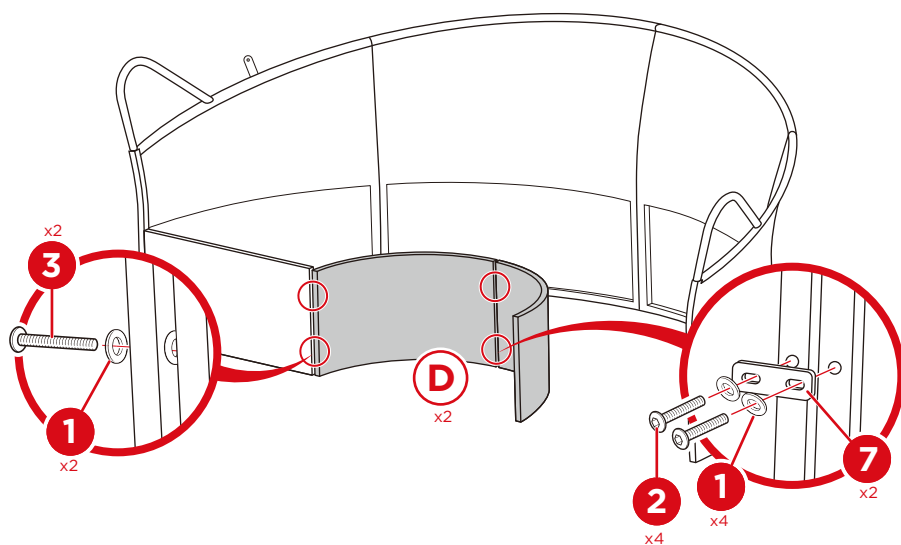


PRODUCT ASSEMBLY - DAY BED

5

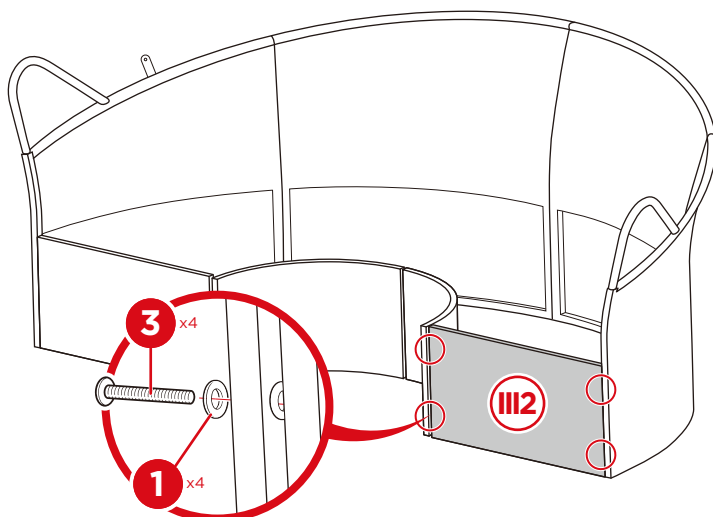
Attach a part D curved front panel with two part 3 screws and two part 1 washers.

Attach another part D curved front panel with two part 7 plates, four part 2 screws, and four part 1 washers.



6

Attach the part III2 left front panel with four part 3 screws and four part 1 washers.

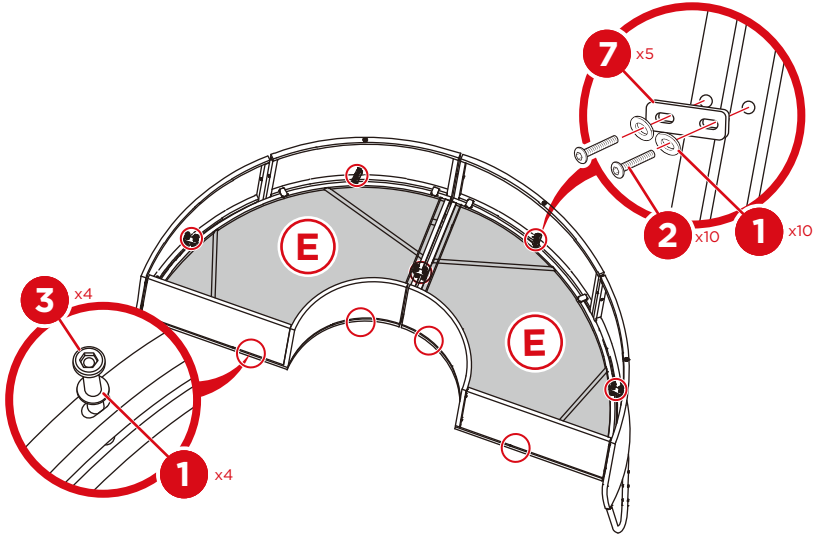


PRODUCT ASSEMBLY - DAY BED

7

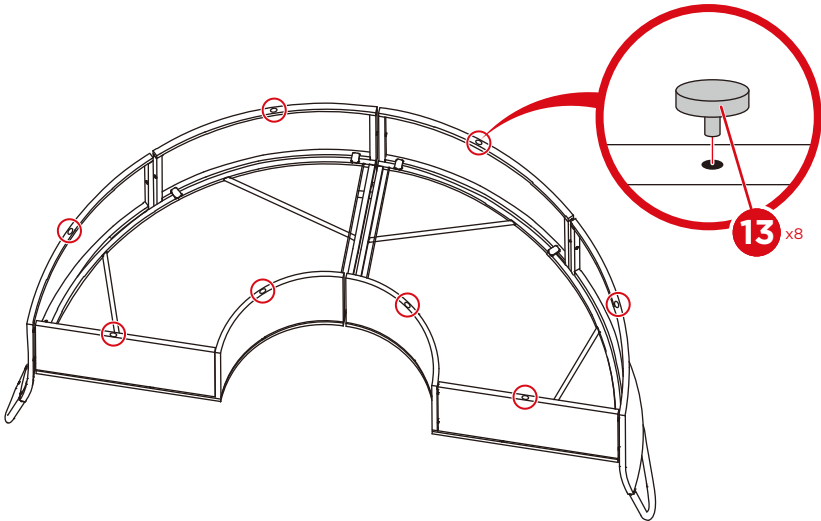
Flip the assembly over. Attach the top of two part E curved seats with five part 7 plates, ten part 2 screws, and ten part 1 washers.

Attach the bottom with four part 3 screws and four part 1 washers.



8

Attach eight part 13 feet.

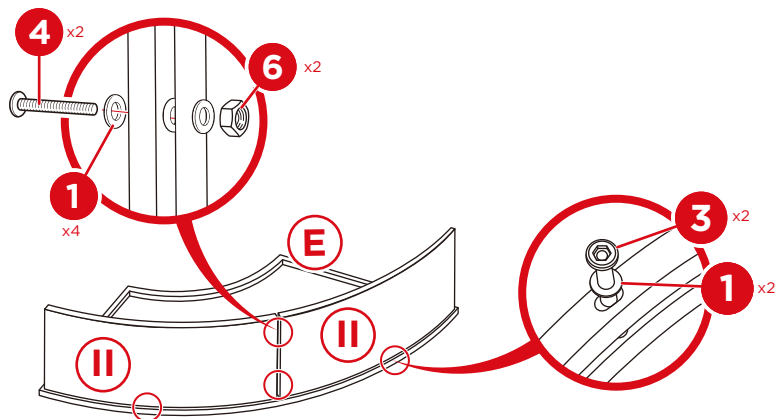


PRODUCT ASSEMBLY - CURVED SEAT

1

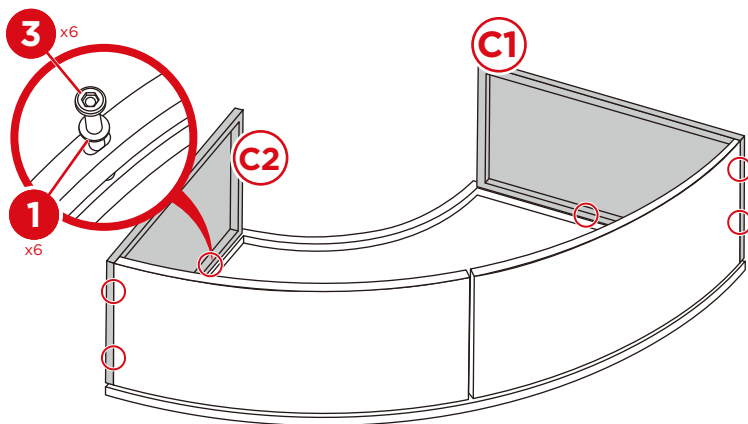
Attach two part II curved back panels to a part E curved seat with two part 3 screws and two part 1 washers.

Attach the back panels to one another with two part 4 bolts, four part 1 washers, and two part 6 nuts.



2

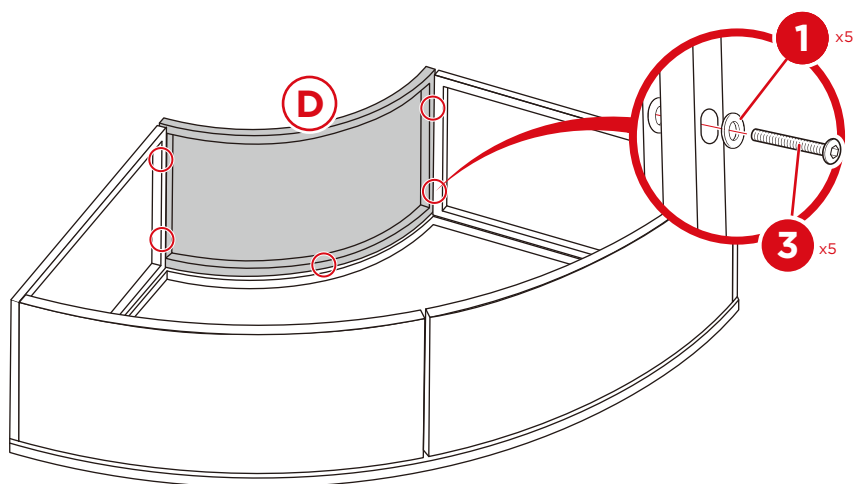
Attach the part C1 right side panel and part C2 left side panel with six part 3 screws and six part 1 washers.



PRODUCT ASSEMBLY - CURVED SEAT

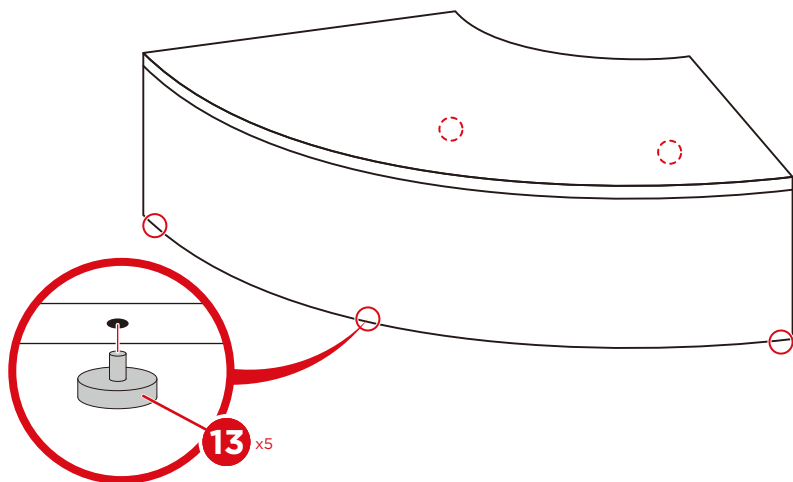
3

Attach a part D curved front panel with five part 3 screws and five part 1 washers.



4

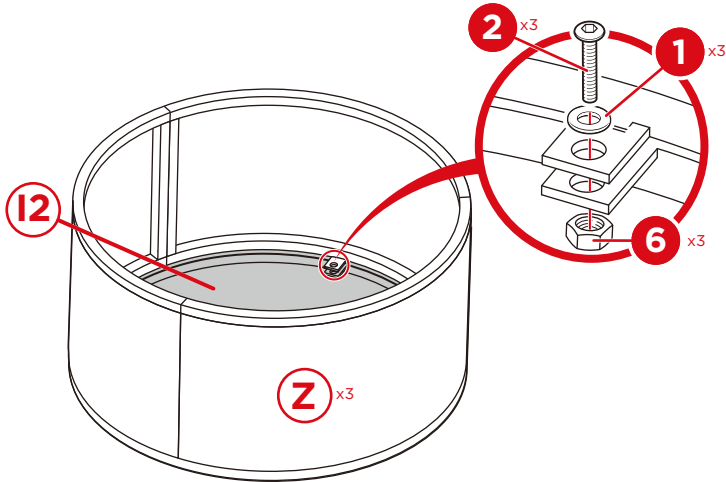
Attach five part 13 feet.
Repeat to build another curved seat.



PRODUCT ASSEMBLY - ROUND SEAT

1

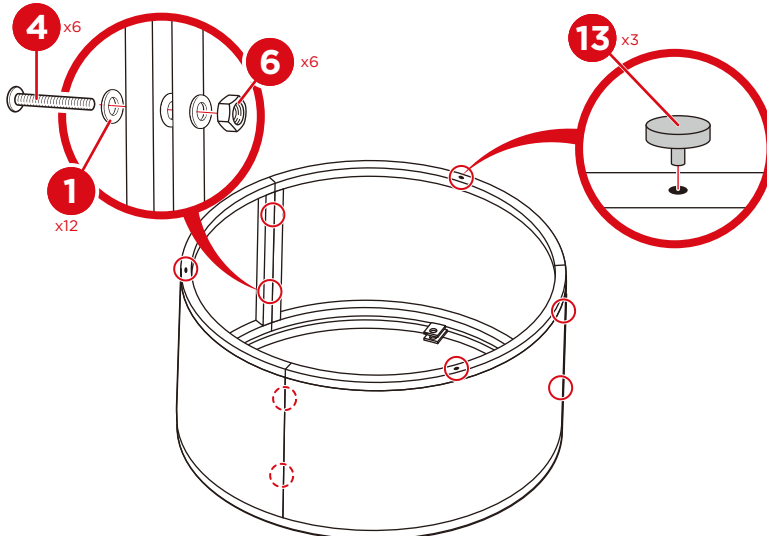
Attach three part Z round seat sides to the part I2 round seat frame with three part 2 screws, three part 1 washers, and three part 6 nuts.



2

Attach the round seat sides to one another with six part 4 bolts, twelve part 1 washers, and six part 6 nuts.

Attach three part 13 feet.

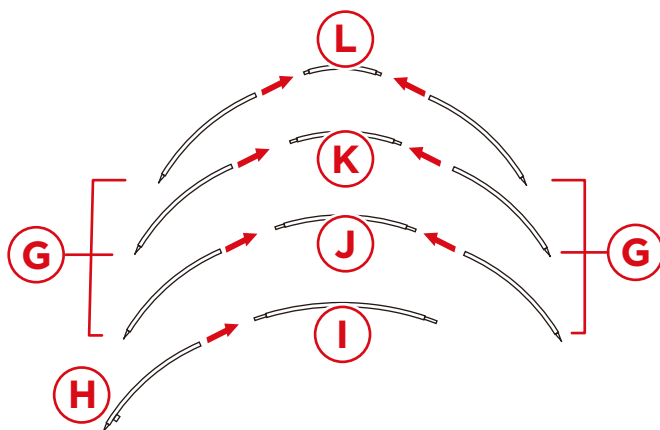


PRODUCT ASSEMBLY - CANOPY

1

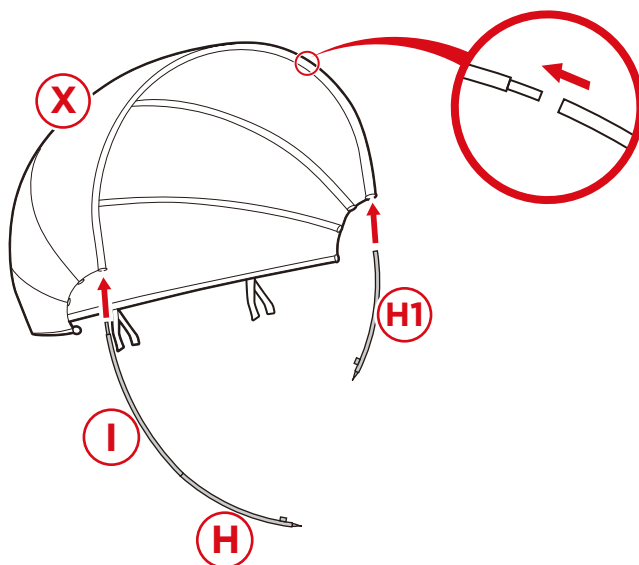
Assemble the canopy frames; slide them into one another until they lock.

NOTE: Do not attach the part H1 front canopy frame in this step.



2

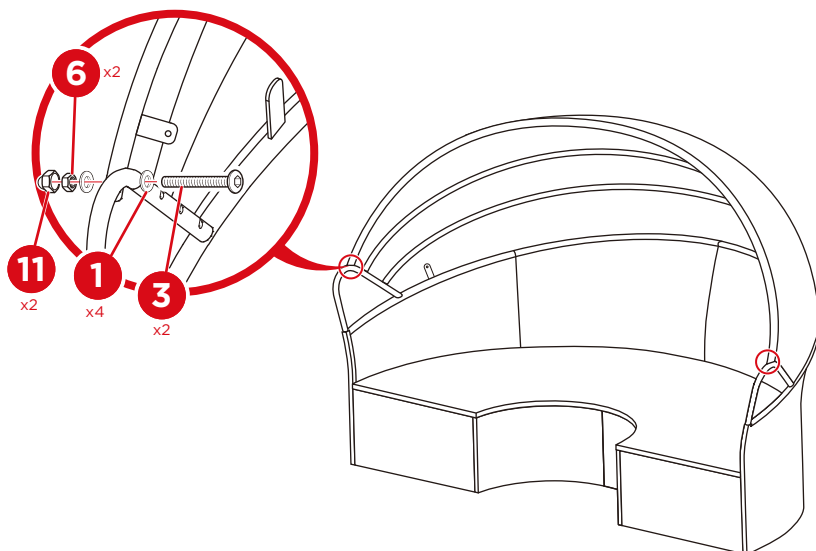
Slide the assembled front canopy frame into the part X canopy. Slide the part H1 front canopy frame into the other end and attach the frame within the canopy.



PRODUCT ASSEMBLY - CANOPY

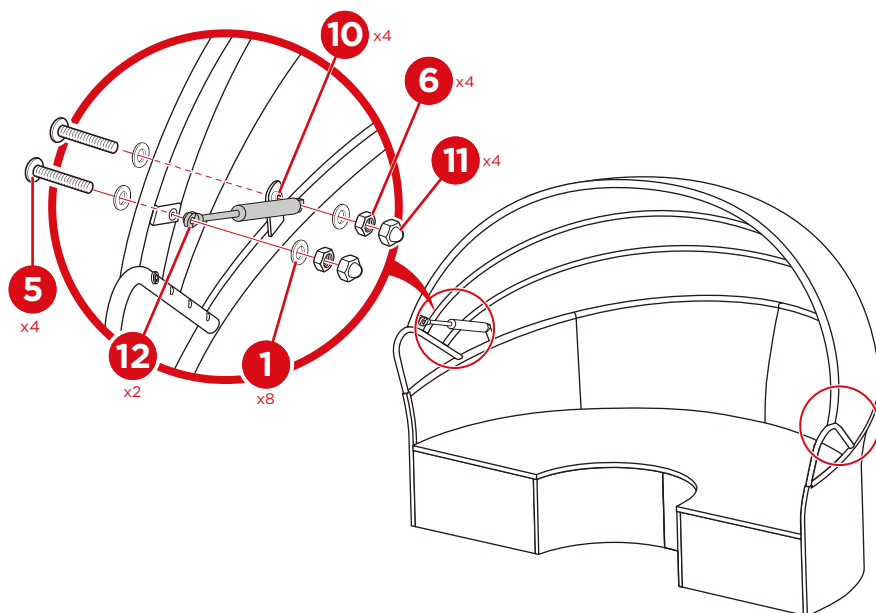
3

Attach the front canopy frame to the daybed with two part 3 screws, four part 1 washers, two part 6 nuts, and two part 11 nut caps.



4

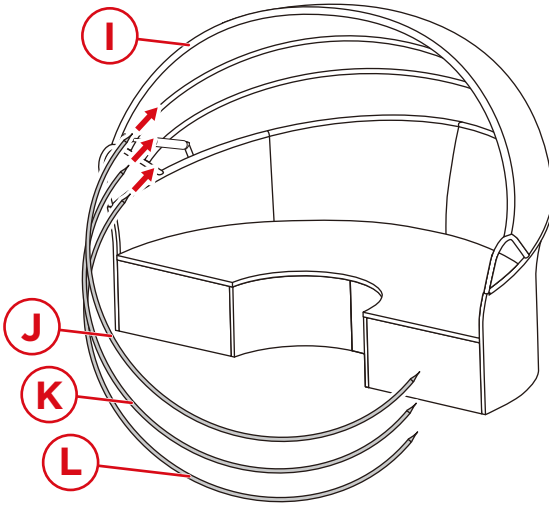
Attach two part 12 arms with four part 5 bolts, eight part 1 washers, four part 10 spacers, four part 6 nuts, and four part 11 nut caps.



PRODUCT ASSEMBLY - CANOPY

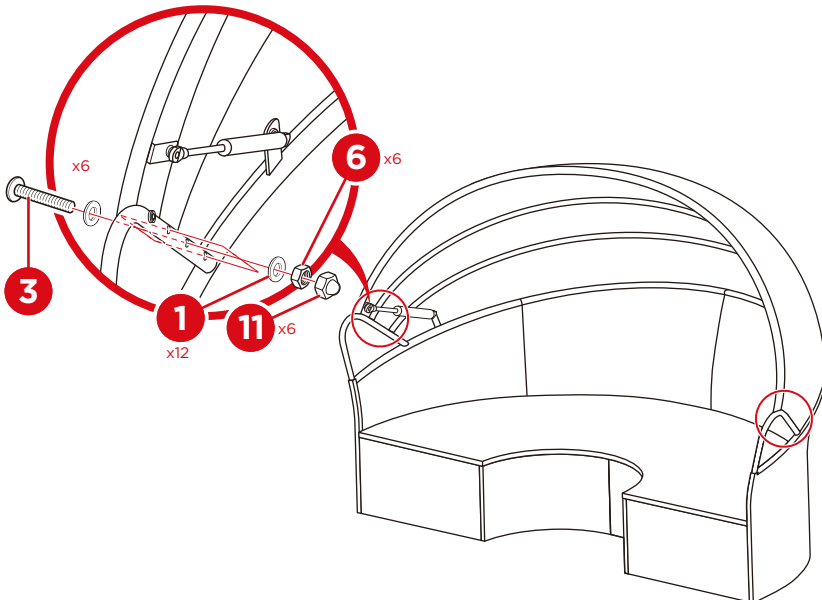
5

Slide the remaining three canopy frames into the canopy.



6

Attach the canopy frames with six part 3 screws, twelve part 1 washers, six part 6 nuts, and six part 11 nut caps.

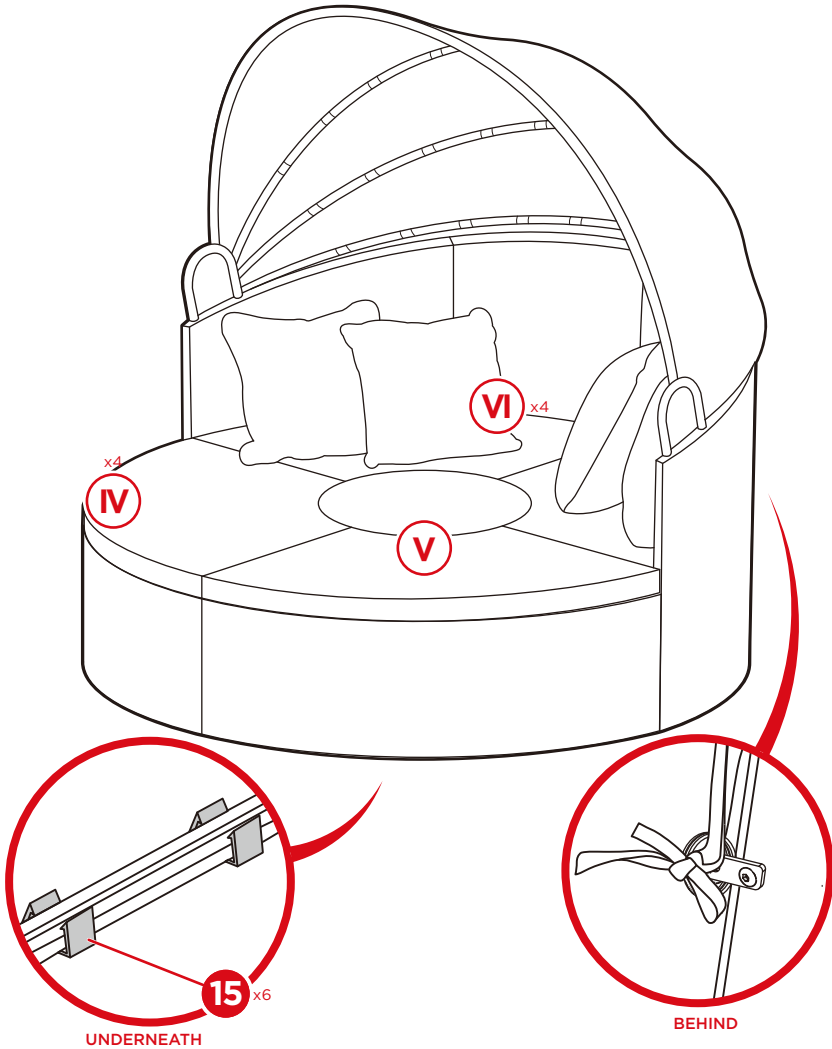


PRODUCT ASSEMBLY - CANOPY

7

Tie the strings on the back of the canopy to the three metal rings. Secure the seats to the daybed with six part 15 clips.

Insert the cushions and pillows.



CALIFORNIA PROPOSITION 65

⚠ WARNING: This product can expose you to chemicals including Lead and lead compounds, which is known to the State of California to cause cancer and birth defects or other reproductive harm. For more information go to www.P65Warnings.ca.gov



HELP CENTER



Question about your product? We're here to help. Visit us at:

help.bestchoiceproducts.com



Chat Support



Product Inquiry



Orders FAQ



Product Assembly



Returns & Refunds

PRODUCT WARRANTY INFORMATION

All items can be returned for any reason within 60 days of the receipt and will receive a full refund as long as the item is returned in its original product packaging and all accessories from its original shipment are included. All returned items will receive a full refund back to the original payment method. All returned items will not be charged a re-stocking fee.

All returned items require an RA (Return Authorization) number, which can only be provided by a Best Choice Products Customer Service Representative when the return request is submitted. Items received without an RA may not be accepted or may increase your return processing time. Once an item has been received by Best Choice Products, refunds or replacements will be processed within 5 business days.

All returns must be shipped back to the Best Choice Products Return Center at the customer's expense. If the reason for return is a result of an error by Best Choice Products then Best Choice Products will provide a pre-paid shipping label via email. Boxes for return shipping will not be provided by Best Choice Products, and is the customer's responsibility to either use the original shipping boxes or purchase new boxes.

Pictures may be required for some returns to ensure an item is not damaged prior to its return. Items returned are not considered undamaged until they are received by Best Choice Products and verified as such. All damages to items are the customer's responsibility until the item has been received by and acknowledge by Best Choice Products as undamaged.

WARNING

Manufacturer and seller expressly disclaim any and all liability for personal injury, property damage or loss, whether direct, indirect, or incidental, resulting from the incorrect attachment, improper use, inadequate maintenance, unapproved modification, or neglect of this product.