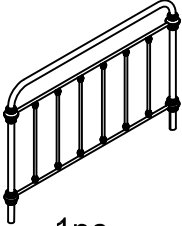






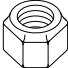

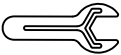
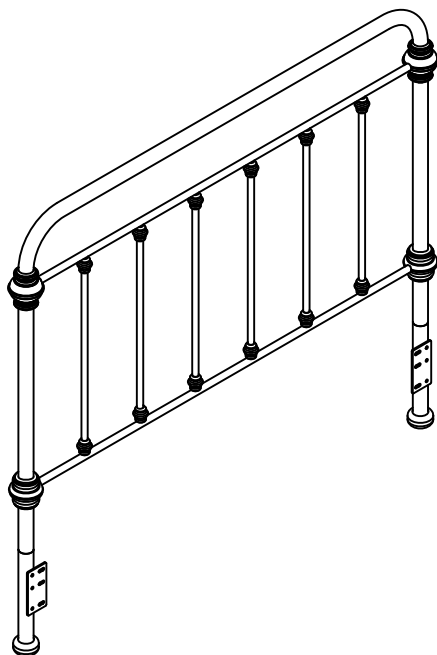


ASSEMBLY INSTRUCTION

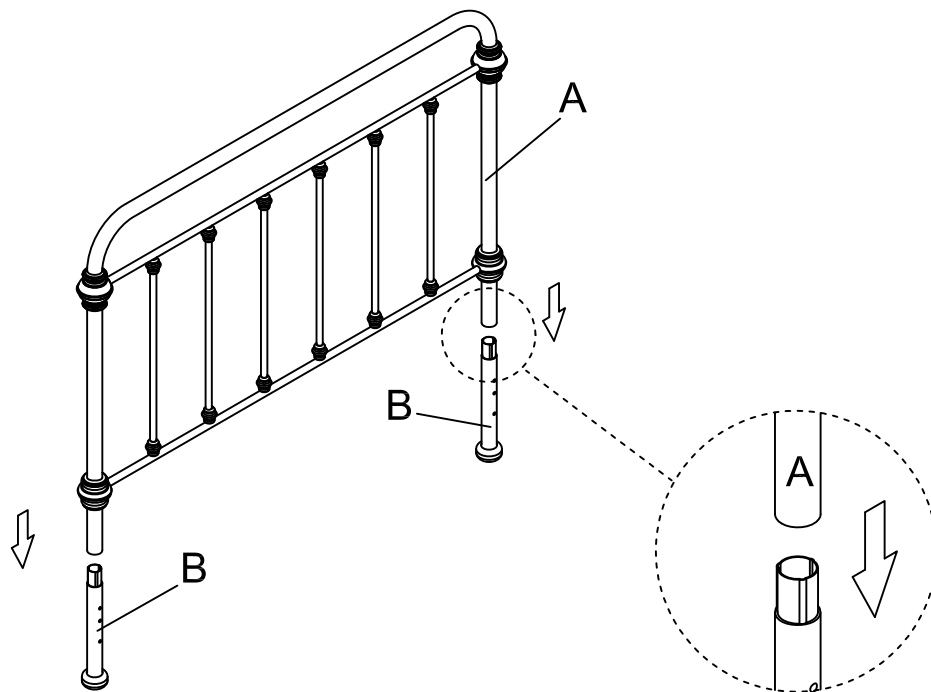
6 SPINDLES METAL FULL HEADBOARD

A Headboard  1pc	B Extension leg  2pcs	C Adjustable plate  2pcs	D Bolt 1/4",57mm  4pcs
E Bolt 1/4",22mm  4pcs	F Flat Washer ø16mm  12pcs	G Plastic Washer ø25mm  8pcs	H Nut 1/4"  8pcs
I Allen wrench 4x4mm  1pc	J Wrench 11.3mm  1pc		

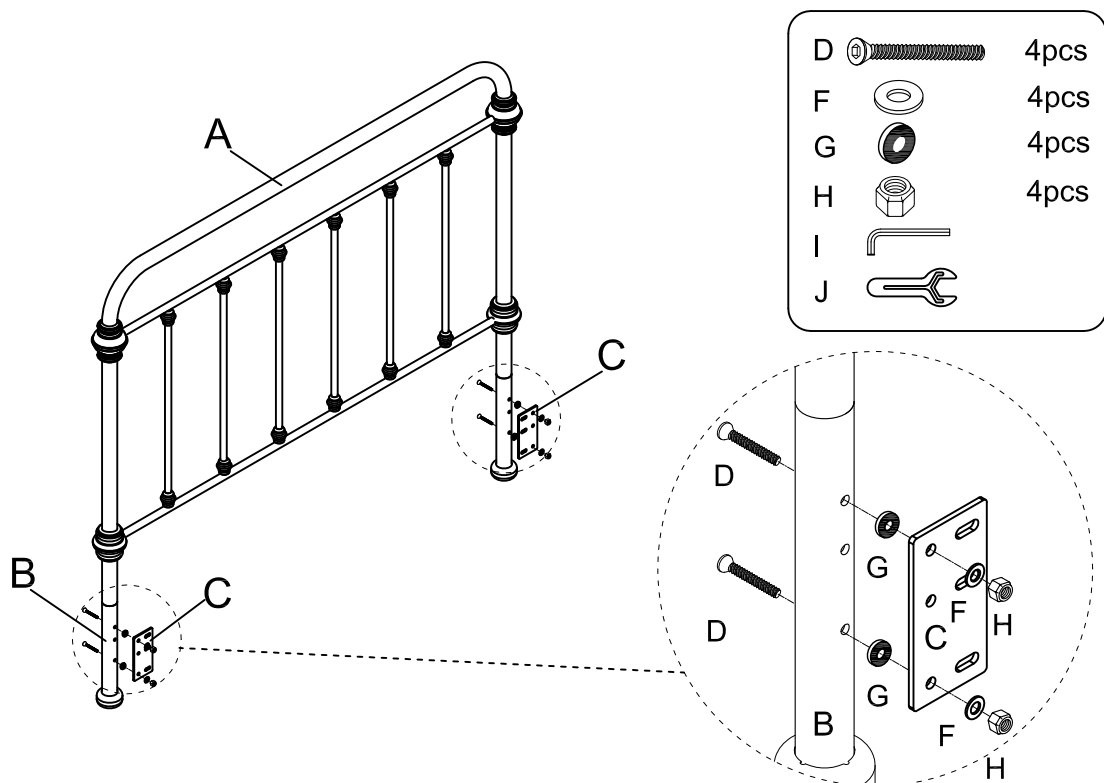


This page lists all the contents included in the box. Please take the time to identify the hardware as well as the individual components to this product. As you unpack and prepare for assembly, place the contents on a carpeted or padded area to protect them from damage.

1 Assemble the headboard (A) to the extension leg (B).

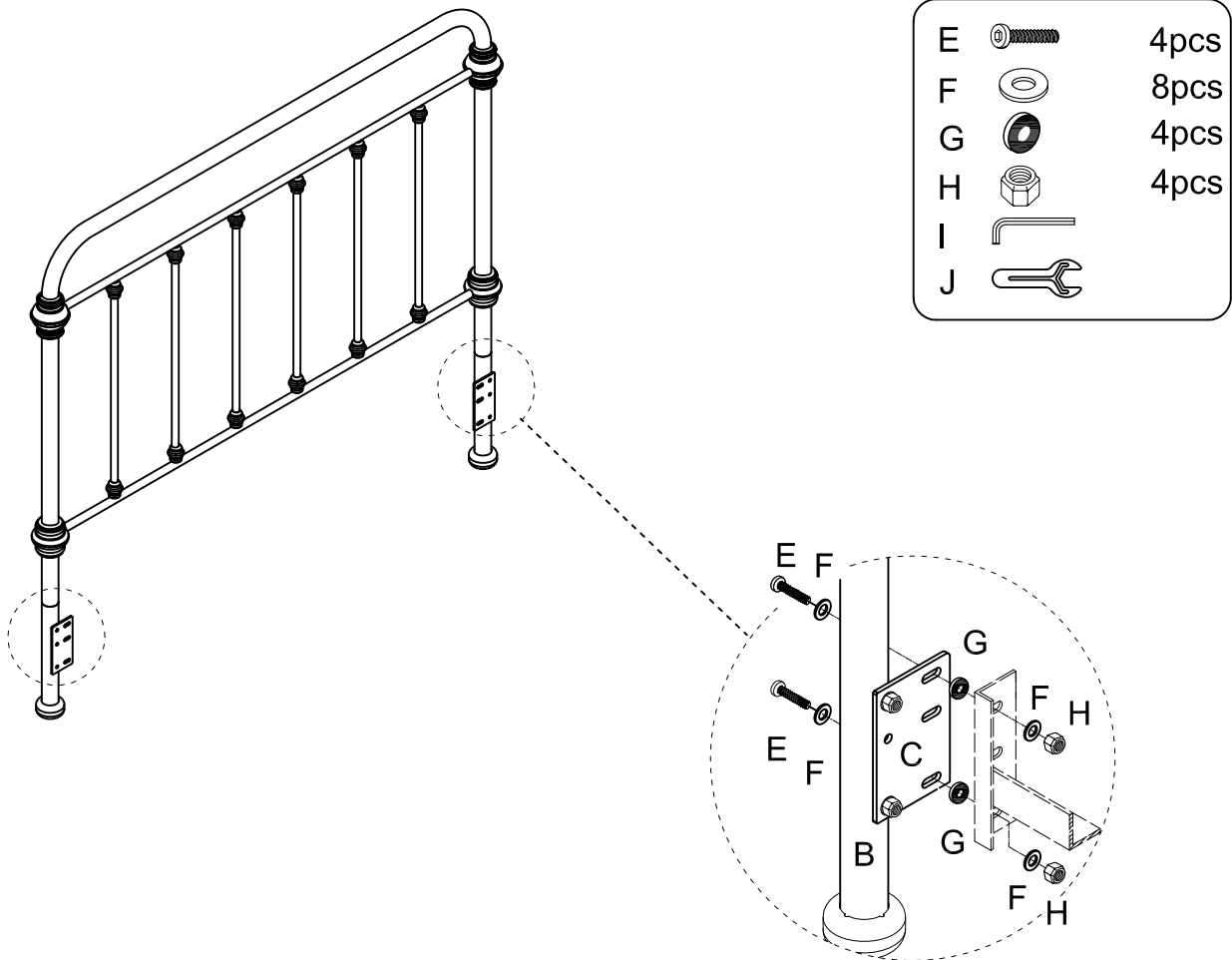


2 Assemble the adjustable plate (C) to the extension leg (B) with 4 pcs bolts (D), 4pcs flat washers (F), 4pcs plastic washer (G) and 4 pcs nuts (H), then tighten with allen wrench (I) and wrench (J).



3

Assemble rails (belongs to customer) to the adjustable plate (C) with 4pcs bolts (E), 8pcs flat washers (F), 4pcs plastic washer (G) and 4pcs nuts (H), then tighten with allen wrench (I) and wrench (J).



Cleaning & Care

Treat surface with care. Surface is resistant to scratches but is not scratch resistant. Clean surfaces with a dry or damp soft cloth. Do not use abrasive cleaners. Hardware may loosen over time. Periodically check that all connections are tight.