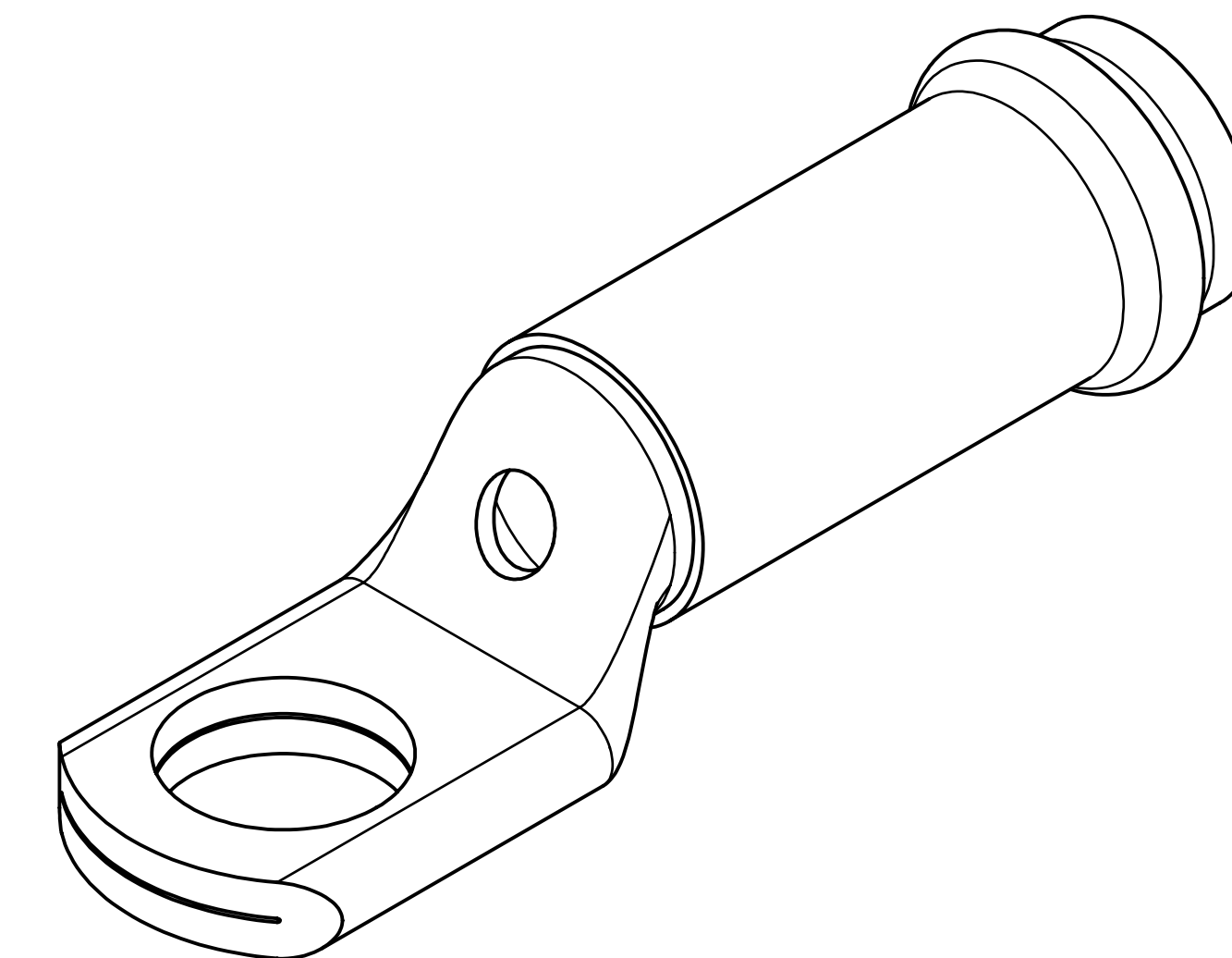


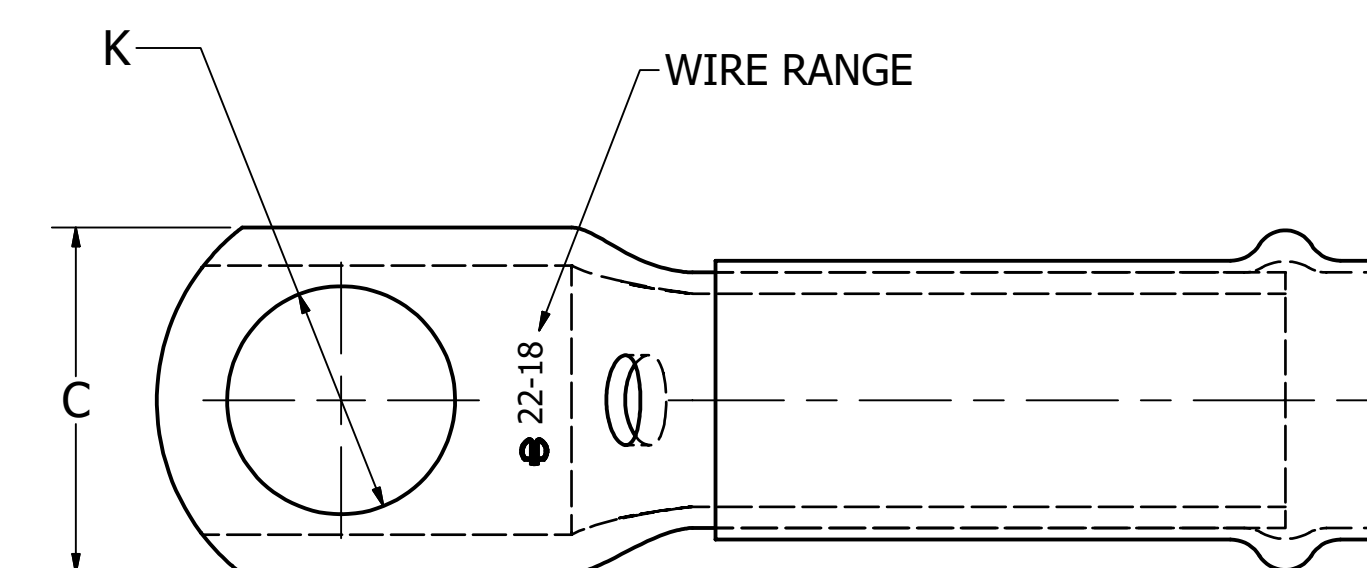
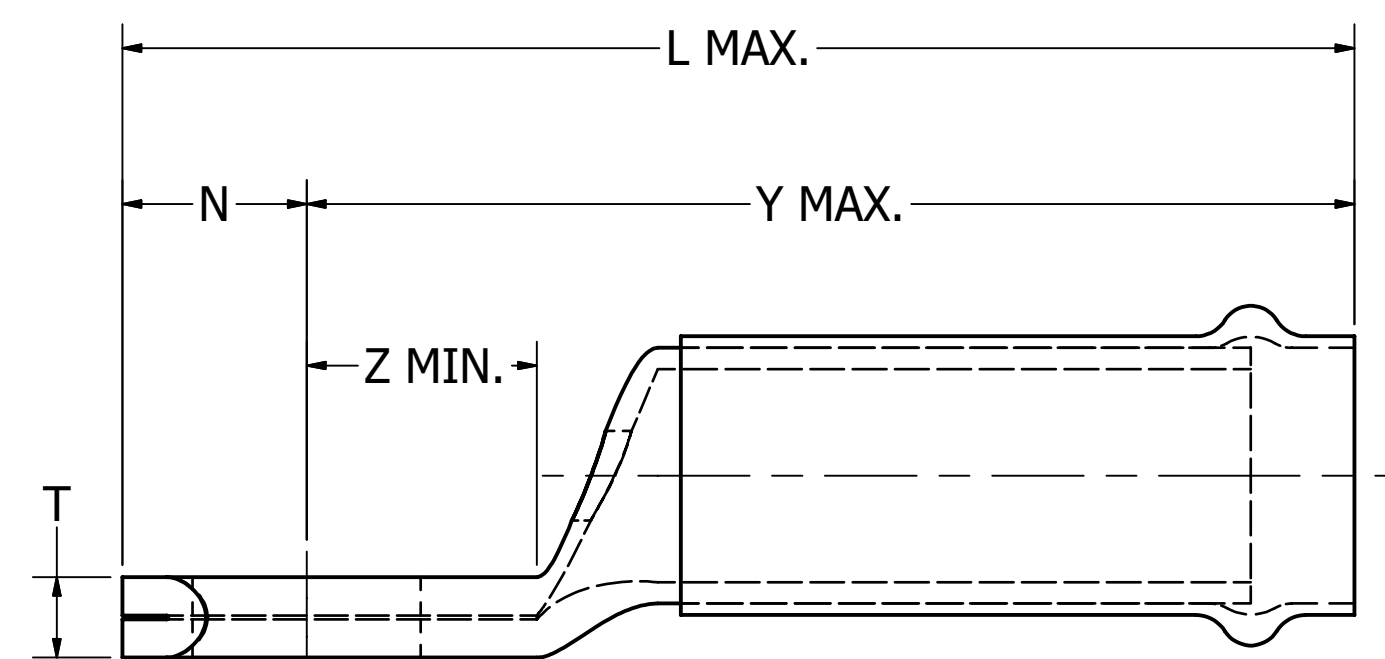
WIRE SIZE (AWG), AN Aircraft	STUD SIZE	CATALOG NUMBER	BULK CATALOG NUMBER	C		K		L MAX.	N		T ± .01 [± .25]	Y MAX.	Z MIN.	MAX. WIRE INSUL. DIA. ACCOM.	WIRE STRIP LENGTH ± .03 [± .8]	COLOR CODE	INSTALLATION TOOLING (ONE CRIMP)	
				MAX.	MIN.	MAX.	MIN.		MAX.	MIN.								
22-18 Str. and Sol.	6	-	YAEV18T5*	.34 [8.6]	.28 [7.1]	.15 [3.8]	.14 [3.6]	.91 [23.1]	.17 [4.3]	.15 [3.8]	.03 [.8]	.77 [19.6]	.24 [6.1]	.12 [3.2]	RED	MR8D94, MRE1022NV		
	10	YAEV18BOX*	YAEV18*			.23 [5.8]	.19 [4.8]											
18-14 Str. and Sol.	6	-	YAEV14T5	.34 [8.6]	.28 [7.1]	.15 [3.8]	.14 [3.6]	.98 [24.9]	.17 [4.3]	.15 [3.8]	.04 [1.1]	.81 [20.6]	.24 [6.1]	.15 [3.9]	BLUE	Y6NCB [J1022NC2], Y6NCP1 [J1022NC2], MR18, MRE1022NV		
	8	-	YAEV14T1			.18 [4.5]	.16 [4.1]											
	10	YAEV14BOX	YAEV14			.23 [5.8]	.19 [4.8]											
	1/4	-	YAEV14T2			.41 [10.4]	.26 [6.6]											
	5/16	-	YAEV14T3	.47 [11.9]	.41 [10.4]	.34 [8.6]	.32 [8.1]	1.19 [30.2]	.27 [6.9]	.25 [6.4]	.03 [.8]	.92 [23.4]						
12-10 Str.	6	YAEV10T7BOX	YAEV10T7	.33 [8.4]	.27 [6.9]	.15 [3.8]	.14 [3.6]	1.12 [28.4]	.19 [4.8]	.13 [3.3]	.07 [1.8]	.95 [24.1]	.24 [6.1]	.22 [5.5]	5/16" [7.9]	YELLOW	Y6NCB [J1022NC2], Y6NCP1 [J1022NC2], MR18, Y1022, MRE1022NV	
		-	YAEV10T7G2	.29 [7.4]								.99 [25.1]						
	8	YAEV10T11BOX	YAEV10T11	.41 [10.4]	.35 [8.9]	.18 [4.5]	.16 [4.1]	1.16 [29.5]	.22 [5.6]	.16 [4.1]	.06 [1.5]	.97 [24.6]	.26 [6.6]	.22 [5.5]	5/16" [7.9]	YELLOW		
		YAEV10BOX	YAEV10															
	10	-	YAEV10T26	.33 [8.4]	.27 [6.9]	.23 [5.8]	.19 [4.8]	1.11 [28.2]	.19 [4.8]	.13 [3.3]	.07 [1.8]	.78 [19.8]	.24 [6.1]	.22 [5.5]	5/16" [7.9]	YELLOW		
		YAEV10L36BOX	YAEV10L36					1.07 [27.2]				.89 [22.6]						.18 [4.6]
	1/4	YAEV10T3BOX	YAEV10T3	.50 [12.7]	.44 [11.2]	.28 [7.1]	.26 [6.6]	1.30 [33.0]	.26 [6.6]	.20 [5.1]	.05 [1.3]		.38 [9.7]					
	5/16	YAEV10T2BOX	YAEV10T2	.56 [14.2]	.50 [12.7]	.34 [8.6]	.32 [8.1]	1.36 [34.5]	.30 [7.6]	.24 [6.1]		1.12 [28.4]	.31 [7.9]					
	3/8	YAEV10T4BOX	YAEV10T4	.59 [15.0]	.53 [13.5]	.40 [10.2]	.38 [9.7]	1.38 [35.1]	.31 [7.9]	.25 [6.4]	.04 [1.0]		.35 [8.9]					
10mm	-	YAEV10T38	.43 [10.9]			.40 [10.2]	.90 [22.9]					.37 [9.4]						

REV	DATE	DESCRIPTION	ECO	BY	C'H'K.
B	4/10/2019	MU UPDATON	51243	PP	WP



NOTES:

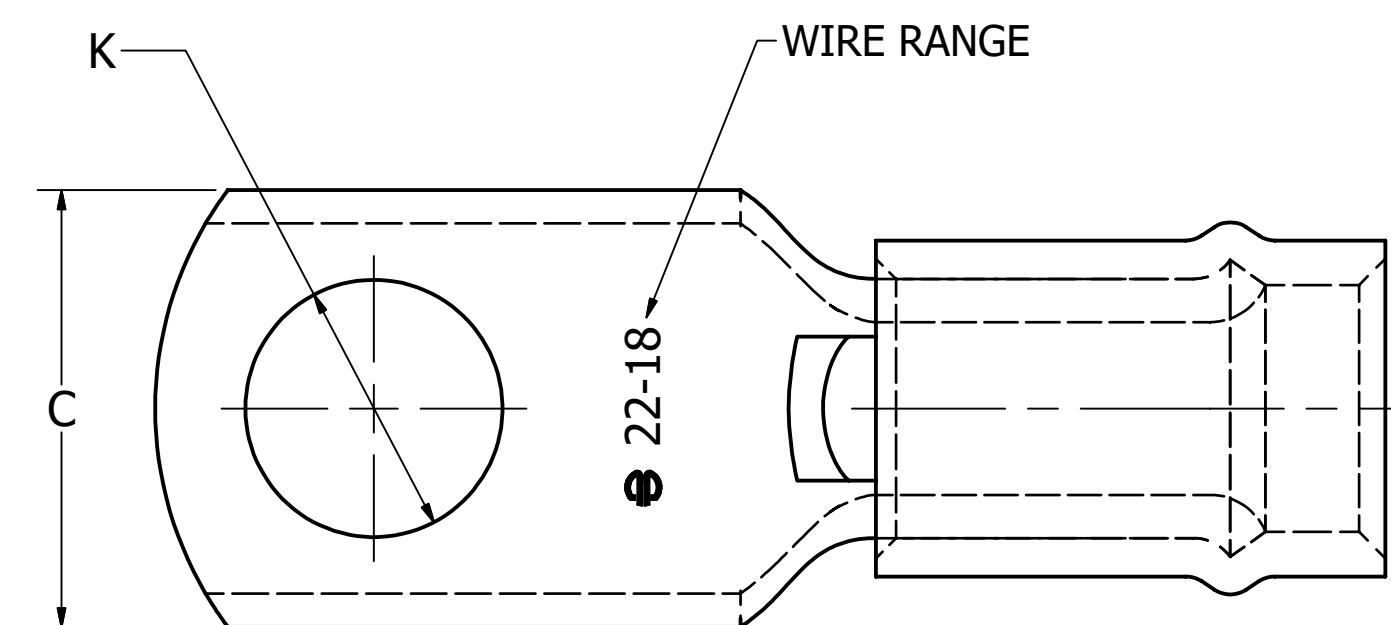
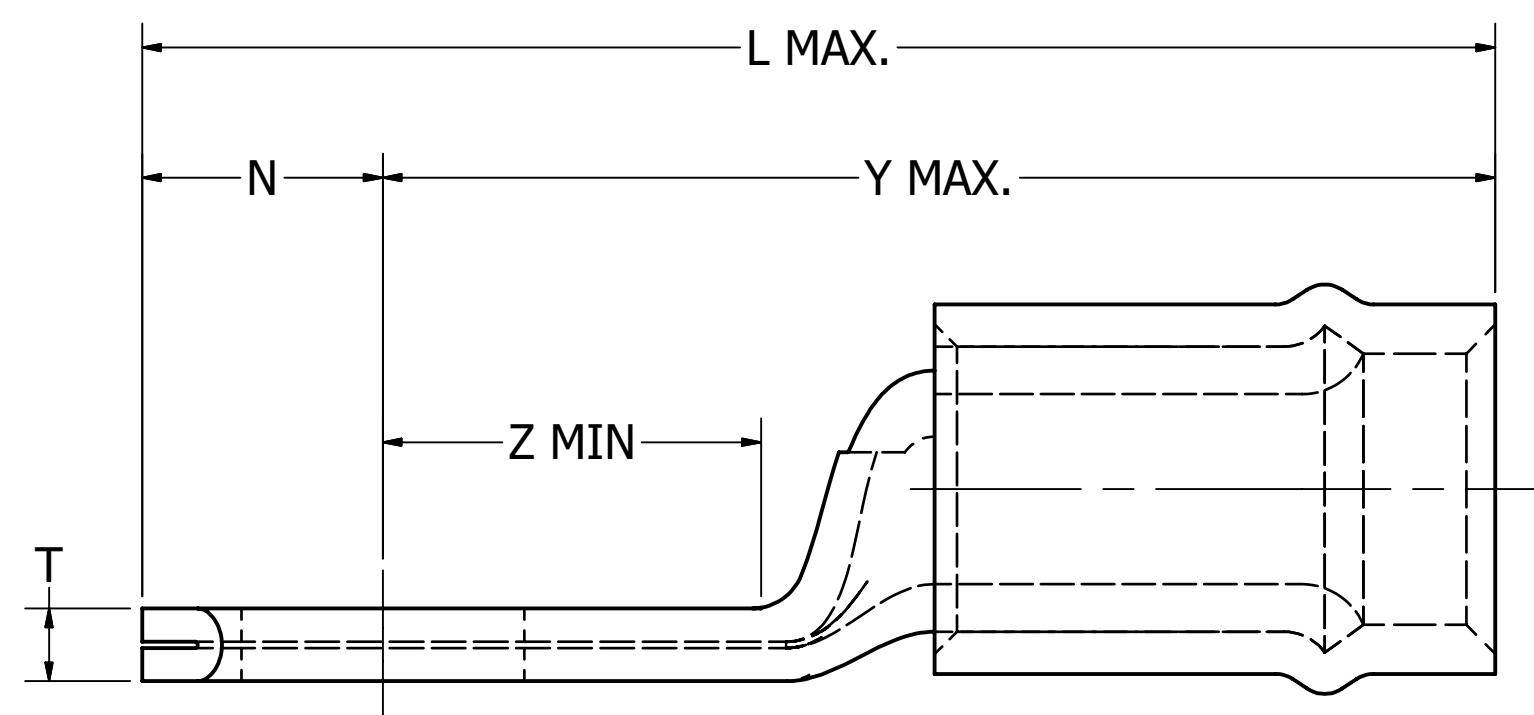
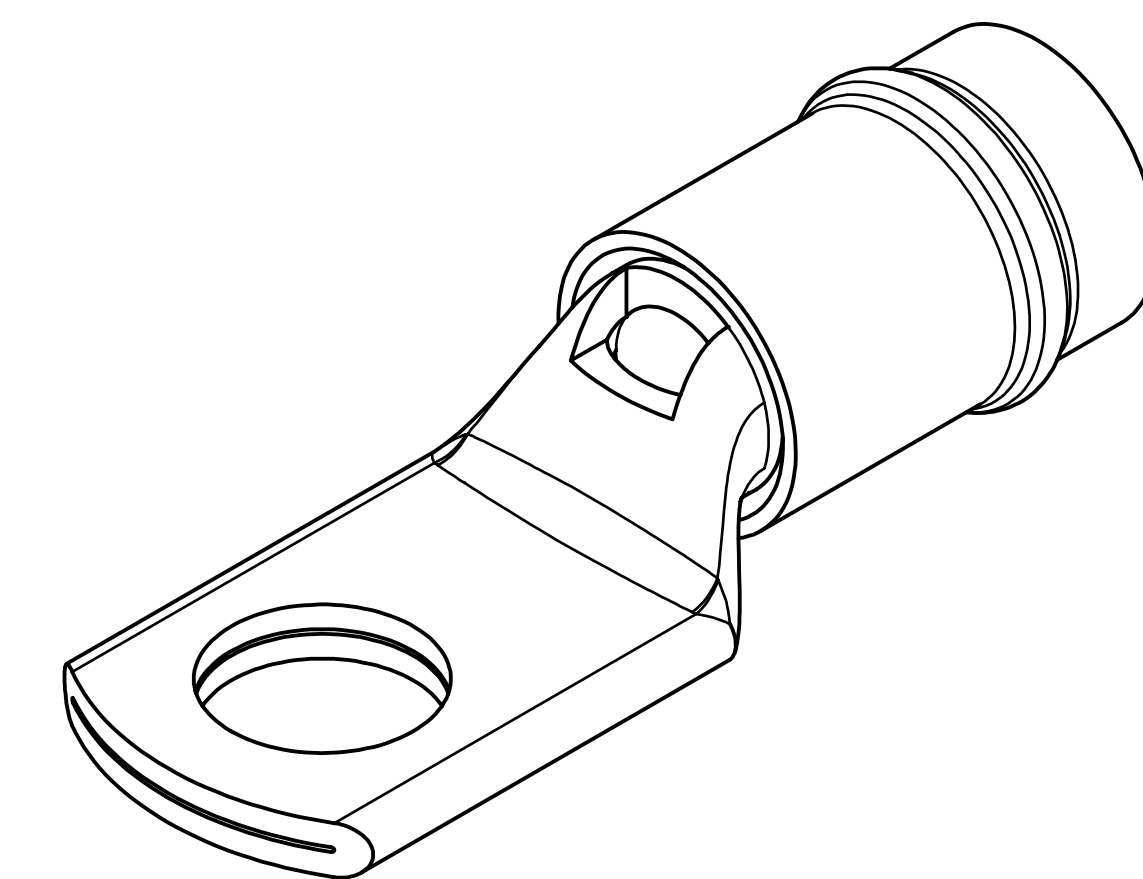
1. TERMINAL: TIN PLATED COPPER
2. INSULATION: NYLON
3. DIMENSIONS IN BRACKETS [] ARE IN MILLIMETERS AND ARE FOR REFERENCE ONLY.
4. DIE SETS ARE LISTED IN BRACKETS [] AFTER THEIR RESPECTIVE TOOLS.
5. UL LISTED WIRE CONNECTORS PER UL486A/B (FILE E9498) REQUIREMENTS.
6. DISCONTINUED TOOLS: Y6NCP, Y10MRSA, Y10MRPA
CONTACT TECH SERVICE FOR INFORMATION ABOUT APPROVED APPLICATIONS (1-800-451-4956)
7. WIRE CONNECTOR:
600V MAXIMUM
TEMPERATURE RATING OF INSULATING MATERIAL 105°C
FLAME RATING: UL746C GLOW WIRE TEST
8. MEETS REQUIREMENTS OF SAE-AS7928. ITEMS WITH CATALOG NUMBERS FOLLOWED BY TWO ASTERISKS (**) CONFORM TO AS25036 WHEN SUFFIX "M" IS ADDED TO CATALOG NUMBER.
9. ITEMS WITH CATALOG NUMBERS FOLLOWED BY A SINGLE ASTERISK (*) ARE NOT UL LISTED.



TO ORDER BURNDY® PRODUCTS CALL		INSULUG													
UNITED STATES 1-800-346-4175 (LONDONDERRY, NH)		ITEM NO: SEE TABLE													
CANADA: 1-800-361-6975 (QUEBEC) 1-800-387-6487 (ALL OTHER PROVINCES)		CAT. NO: TYPES YAEV & YAEV-L													
FOR PRODUCT INFO: http://www.burndy.com		<table border="1"> <tr> <td>DRAWN BY: P.PRASANTH</td> <td>11/16/2018</td> </tr> <tr> <td>CHECKER: V.SAKTHIVEL</td> <td>11/16/2018</td> </tr> <tr> <td>DSN APRVL: K.CASTONGUAY</td> <td>12/19/2018</td> </tr> <tr> <td>MFG APRVL: --</td> <td>12/30/1899</td> </tr> <tr> <td>QA APRVL: B.POST</td> <td>11/28/2018</td> </tr> <tr> <td>MKT APRVL: M.BAILLY</td> <td>11/27/2018</td> </tr> </table>		DRAWN BY: P.PRASANTH	11/16/2018	CHECKER: V.SAKTHIVEL	11/16/2018	DSN APRVL: K.CASTONGUAY	12/19/2018	MFG APRVL: --	12/30/1899	QA APRVL: B.POST	11/28/2018	MKT APRVL: M.BAILLY	11/27/2018
DRAWN BY: P.PRASANTH	11/16/2018														
CHECKER: V.SAKTHIVEL	11/16/2018														
DSN APRVL: K.CASTONGUAY	12/19/2018														
MFG APRVL: --	12/30/1899														
QA APRVL: B.POST	11/28/2018														
MKT APRVL: M.BAILLY	11/27/2018														
		<table border="1"> <tr> <td>PROJECT #:</td> <td>SIZE</td> <td>DRAWING NO</td> <td>REV</td> </tr> <tr> <td>DOCUMENT TYPE: SALES</td> <td>D</td> <td>50094163</td> <td>B</td> </tr> <tr> <td>REL LEVEL: Released</td> <td></td> <td>SHEET 1 OF 3</td> <td></td> </tr> </table>		PROJECT #:	SIZE	DRAWING NO	REV	DOCUMENT TYPE: SALES	D	50094163	B	REL LEVEL: Released		SHEET 1 OF 3	
PROJECT #:	SIZE	DRAWING NO	REV												
DOCUMENT TYPE: SALES	D	50094163	B												
REL LEVEL: Released		SHEET 1 OF 3													

WIRE SIZE (AWG), AN Aircraft	STUD SIZE	CATALOG NUMBER	BULK CATALOG NUMBER	AS25036 DASH NO.	SAE CLASS #		C		K		L MAX.	N		T ±.01 [±.25]	Y MAX.	Z MIN.	MAX. WIRE INSUL. DIA. ACCOM.	WIRE STRIP LENGTH ±.03 [±.8]	COLOR CODE	DIE INDE X
					1	2	MAX.	MIN.	MAX.	MIN.		MAX.	MIN.							
8 Str.	8	YAEV8CL14BOX	YAEV8CL14	-	-	-	.43 [10.8]	.39 [9.8]	.18 [4.5]	.16 [4.1]	1.40 [35.5]	0.213	0.193	.07 [1.8]	1.18 [30.0]	.28 [7.1]	.26 [6.6]	7/16" [11.1]	RED	435
	10	YAEV8CLBOX	YAEV8CL	115	X	-	.43 [10.8]	.39 [9.8]	.23 [5.8]	.19 [4.8]		0.213	0.193							
	1/4	YAEV8CL1BOX	YAEV8CL1	116	X	-	.48 [12.1]	.44 [11.0]	.28 [7.1]	.26 [6.6]		1.47 [37.2]	0.238							
	5/16	YAEV8CL2BOX	YAEV8CL2	117	X	-	.59 [14.9]	.55 [13.9]	.34 [8.6]	.32 [8.1]	1.54 [39.2]	0.294	0.274	.06 [1.5]	1.25 [31.8]	.34 [8.6]				
	3/8	YAEV8CL3BOX	YAEV8CL3	118	X	-	.59 [14.9]	.55 [13.9]	.40 [10.2]	.38 [9.7]		1.64 [41.8]	0.294							
	1/2	YAEV8CL4BOX	YAEV8CL4	-	-	-	.75 [19.0]	.71 [18.0]	.54 [13.7]	.51 [13.0]	1.77 [45.0]	0.385	0.365	.05 [1.3]	1.39 [35.3]	.48 [12.2]				
6 Str.	10	YAEV6CL1BOX	YAEV6CL1**	119	X	-	.50 [12.7]	.46 [11.7]	.23 [5.8]	.19 [4.8]	1.56 [39.6]	.25 [6.4]	.23 [5.8]	.07 [1.8]	1.31 [33.2]	.29 [7.3]	.31 [7.9]	BLUE	436	
	1/4	YAEV6CLBOX	YAEV6CL**	120	X	-	.50 [12.7]	.46 [11.7]	.28 [7.1]	.26 [6.6]		.25 [6.4]	.23 [5.8]							
	5/16	YAEV6CL4BOX	YAEV6CL4**	121	X	-	.62 [15.7]	.58 [14.7]	.34 [8.6]	.32 [8.1]	1.68 [42.7]	.31 [7.9]	.29 [7.4]	.06 [1.5]	1.37 [34.8]	.35 [8.9]				
	3/8	-	YAEV6CL2**	122	X	-	.62 [15.7]	.58 [14.7]	.40 [10.2]	.38 [9.7]		.31 [7.9]	.29 [7.4]							
	1/2	YAEV6CL10BOX	YAEV6CL10	-	-	-	.75 [19.0]	.71 [18.0]	.54 [13.7]	.51 [13.0]	1.89 [48.1]	.38 [9.8]	.36 [9.3]	.05 [1.3]	1.51 [38.3]	.49 [12.4]				1/2" [12.7]
4 Str.	10	YAEV4CL3BOX	YAEV4CL3	-	-	-	.57 [14.4]	.53 [13.4]	.23 [5.8]	.19 [4.8]	1.62 [41.1]	.26 [6.6]	.24 [6.1]	.08 [2.1]	1.36 [34.5]	.28 [7.0]	.37 [9.4]	YELLOW	437	
	1/4	YAEV4CLBOX	YAEV4CL	123	X	-	.57 [14.4]	.53 [13.4]	.28 [7.1]	.26 [6.6]		.26 [6.6]	.24 [6.1]							
	5/16	YAEV4CL4BOX	YAEV4CL4	124	X	-	.64 [16.4]	.60 [15.4]	.34 [8.6]	.32 [8.1]	1.74 [44.1]	.32 [8.2]	.30 [7.7]	.06 [1.6]	1.41 [35.9]	.33 [8.4]				
	3/8	-	YAEV4CL2	125	X	-	.64 [16.4]	.60 [15.4]	.40 [10.2]	.38 [9.7]		.32 [8.2]	.30 [7.7]							
	1/2	-	YAEV4CL5	-	-	-	.75 [19.0]	.71 [18.0]	.54 [13.7]	.51 [13.0]	1.93 [49.1]	.38 [9.8]	.36 [9.3]	.07 [1.7]	1.55 [39.3]	.46 [11.8]				

REV	DATE	DESCRIPTION	ECO	BY	C'H'K.
B	4/10/2019	MU UPDATON	51243	PP	WP



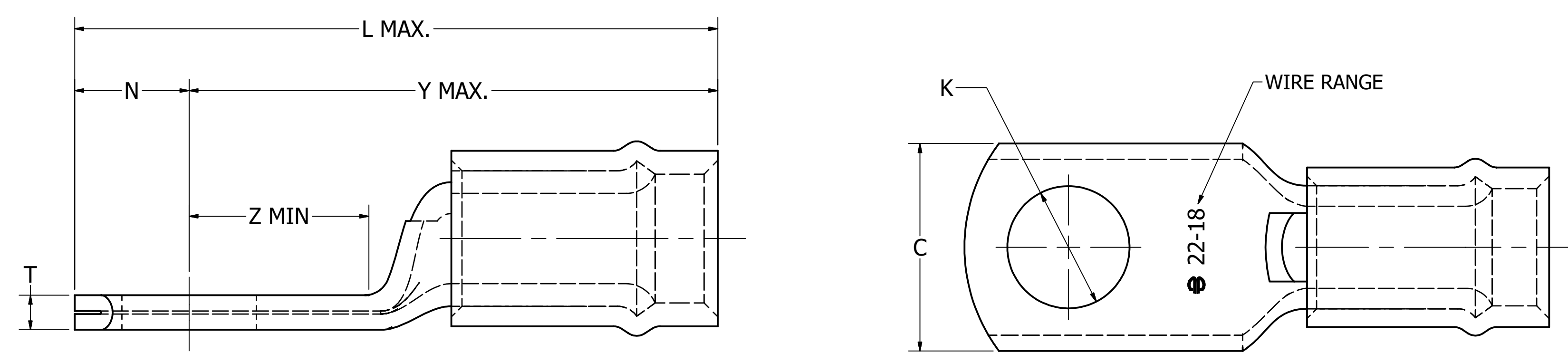
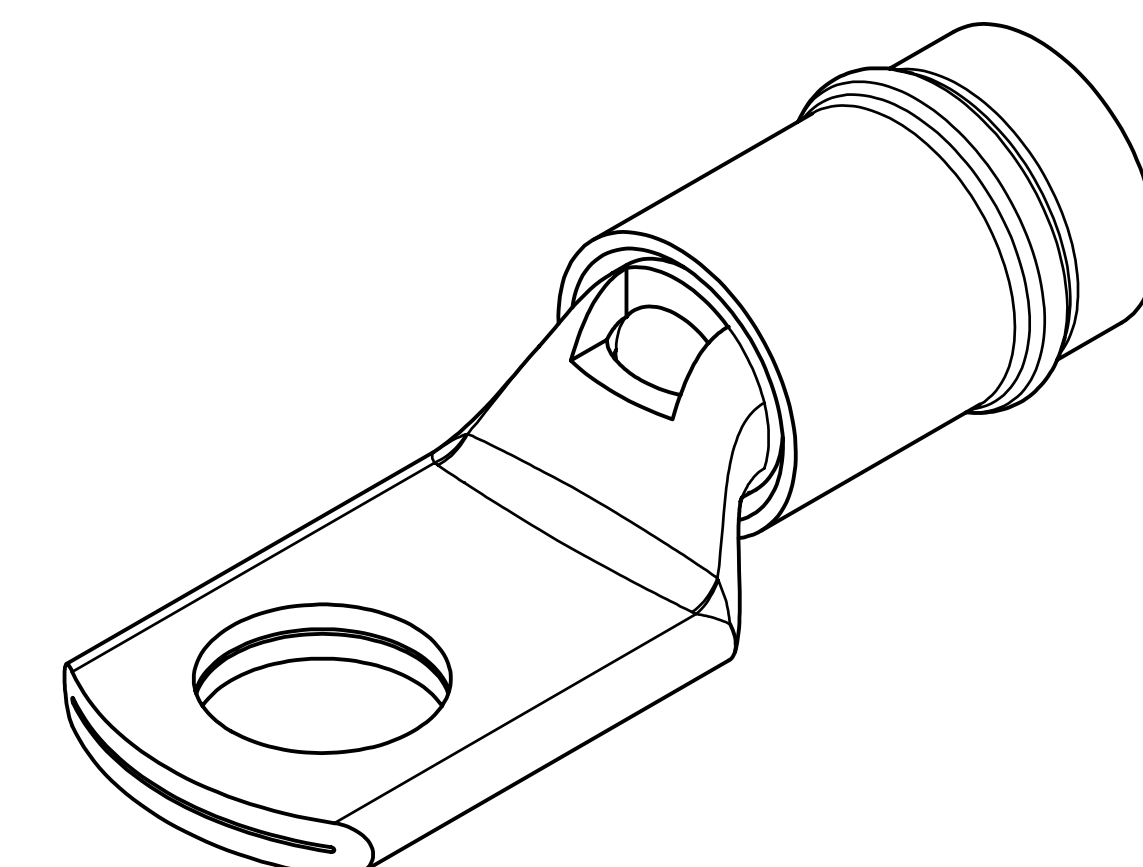
NOTES:

1. TERMINAL: TIN PLATED COPPER
2. INSULATION: NYLON
3. DIMENSIONS IN BRACKETS [] ARE IN MILLIMETERS AND ARE FOR REFERENCE ONLY.
4. DIE SETS ARE LISTED IN BRACKETS [] AFTER THEIR RESPECTIVE TOOLS.
5. UL LISTED WIRE CONNECTORS PER UL486A/B (FILE E9498) REQUIREMENTS.
6. DISCONTINUED TOOLS: Y6NCP, Y10MRSA, Y10MRPA
CONTACT TECH SERVICE FOR INFORMATION ABOUT APPROVED APPLICATIONS (1-800-451-4956)
7. WIRE CONNECTOR:
600V MAXIMUM
TEMPERATURE RATING OF INSULATING MATERIAL 105°C
FLAME RATING: UL746C GLOW WIRE TEST
8. MEETS REQUIREMENTS OF SAE-AS7928. ITEMS WITH CATALOG NUMBERS FOLLOWED BY TWO ASTERISKS (**) CONFORM TO AS25036 WHEN SUFFIX "M" IS ADDED TO CATALOG NUMBER.
9. ITEMS WITH CATALOG NUMBERS FOLLOWED BY A SINGLE ASTERISK (*) ARE NOT UL LISTED.

TO ORDER BURNDY® PRODUCTS CALL		INSULUG															
UNITED STATES 1-800-346-4175 (LONDONDERRY, NH)		ITEM NO: SEE TABLE															
CANADA: 1-800-361-6975 (QUEBEC) 1-800-387-6487 (ALL OTHER PROVINCES)		CAT. NO: TYPES YAEV & YAEV-L															
FOR PRODUCT INFO: http://www.burndy.com		<table border="1"> <tr> <td>DRAWN BY: P.PRASANTH</td> <td>11/16/2018</td> </tr> <tr> <td>CHECKER: V.SAKTHIVEL</td> <td>11/16/2018</td> </tr> <tr> <td>DSN APRVL: K.CASTONGUAY</td> <td>12/19/2018</td> </tr> <tr> <td>MFG APRVL: --</td> <td>12/30/1899</td> </tr> <tr> <td>QA APRVL: B.POST</td> <td>11/28/2018</td> </tr> <tr> <td>MKT APRVL: M.BAILLY</td> <td>11/27/2018</td> </tr> <tr> <td>PROD FAM: --</td> <td></td> </tr> </table>		DRAWN BY: P.PRASANTH	11/16/2018	CHECKER: V.SAKTHIVEL	11/16/2018	DSN APRVL: K.CASTONGUAY	12/19/2018	MFG APRVL: --	12/30/1899	QA APRVL: B.POST	11/28/2018	MKT APRVL: M.BAILLY	11/27/2018	PROD FAM: --	
DRAWN BY: P.PRASANTH	11/16/2018																
CHECKER: V.SAKTHIVEL	11/16/2018																
DSN APRVL: K.CASTONGUAY	12/19/2018																
MFG APRVL: --	12/30/1899																
QA APRVL: B.POST	11/28/2018																
MKT APRVL: M.BAILLY	11/27/2018																
PROD FAM: --																	
		<table border="1"> <tr> <td>PROJECT #:</td> <td>SIZE</td> <td>DRAWING NO</td> <td>REV</td> </tr> <tr> <td>DOCUMENT TYPE: SALES</td> <td>D</td> <td>50094163</td> <td>B</td> </tr> <tr> <td>REL LEVEL: Released</td> <td></td> <td>SHEET 2 OF 3</td> <td></td> </tr> </table>		PROJECT #:	SIZE	DRAWING NO	REV	DOCUMENT TYPE: SALES	D	50094163	B	REL LEVEL: Released		SHEET 2 OF 3			
PROJECT #:	SIZE	DRAWING NO	REV														
DOCUMENT TYPE: SALES	D	50094163	B														
REL LEVEL: Released		SHEET 2 OF 3															

WIRE SIZE (AWG), AN Aircraft	STUD SIZE	CATALOG NUMBER	BULK CATALOG NUMBER	AS25036 DASH NO.	SAE CLASS #		C		K		L MAX.	N		T ±.01 [±.25]	Y MAX.	Z MIN.	MAX. WIRE INSUL. DIA. ACCOM.	WIRE STRIP LENGTH ±.03 [±.8]	COLOR CODE	DIE INDEX					
					1	2	MAX.	MIN.	MAX.	MIN.		MAX.	MIN.												
2 Str.	10	YAEV2CL3BOX	YAEV2CL3	-	-	-			.23 [5.8]	.19 [4.8]	2.02 [51.4]	.35 [9.0]	.33 [8.5]	.09 [2.4]	1.67 [42.4]	.35 [8.9]		5/8" [15.9]	RED	438					
	1/4	YAEV2CL1BOX	YAEV2CL1	126	X	-	.71 [18.0]	.67 [17.0]	.28 [7.1]	.26 [6.6]															
	5/16	YAEV2CL2BOX	YAEV2CL2	-	-	-			.34 [8.6]	.32 [8.1]															
	3/8	YAEV2CLBOX	YAEV2CL	127	X	-			.40 [10.2]	.38 [9.7]															
	1/2	-	YAEV2CL4	128	X	-	.79 [20.1]	.75 [19.0]	.54 [13.7]	.51 [13.0]											2.18 [55.4]	.40 [10.0]	.38 [9.5]	.09 [2.3]	1.78 [45.3]
1 Str.	1/4	-	YAEV1CL1	129	X	-			.28 [7.1]	.26 [6.6]	2.14 [54.4]	.39 [9.9]	.37 [9.4]	.11 [2.8]	1.75 [44.5]	.38 [9.7]		WHITE	600						
	5/16	-	YAEV1CL2	-	-	-	.78 [19.8]	.74 [18.8]	.34 [8.6]	.32 [8.1]															
	3/8	YAEV1CLBOX	YAEV1CL	130	X	-			.40 [10.2]	.38 [9.7]															
	1/2	-	YAEV1CL3	131	X	-	.88 [22.4]	.84 [21.3]	.54 [13.7]	.51 [13.0]										2.27 [57.7]	.44 [11.2]	.42 [10.7]	.10 [2.5]	1.83 [46.5]	.46 [11.8]
1/0 Str.	1/4	-	YAEV25L1*	132	X	-			.28 [7.1]	.26 [6.6]	2.40 [60.8]	.42 [10.8]	.40 [10.3]	.11 [2.8]	1.97 [50.0]	.43 [10.9]		BLUE	439						
	5/16	-	YAEV25L2*	-	-	-	.85 [21.6]	.81 [20.6]	.34 [8.6]	.32 [8.1]															
	3/8	-	YAEV25L*	133	X	-			.40 [10.2]	.38 [9.7]										2.36 [59.9]	.39 [9.9]	.37 [9.4]			
		-	YAEV25L37*	-	-	-	.75 [19.0]	.73 [18.5]	.54 [13.7]	.51 [13.0]													2.46 [62.4]	.45 [11.4]	.43 [10.9]
	1/2	-	YAEV25L3*	134	X	-	.90 [22.9]	.86 [21.8]	.67 [16.9]	.65 [16.5]										2.67 [67.9]	.51 [13.0]	.49 [12.4]		2.16 [54.9]	.62 [15.7]
	5/8	-	YAEV25L4*	-	-	-																			
2/0 Str.	1/4	-	YAEV26L1*	-	-	-			.28 [7.1]	.26 [6.6]	2.75 [69.7]	.48 [12.1]	.46 [11.6]	.11 [2.9]	2.27 [50.8]	.48 [12.2]		YELLOW	601						
	5/16	-	YAEV26L2*	135	X	-	.95 [24.2]	.91 [23.2]	.34 [8.6]	.32 [8.1]															
	3/8	YAEV26LBOX*	YAEV26L*	136	X	-			.40 [10.2]	.38 [9.7]															
	1/2	YAEV26L3BOX*	YAEV26L3*	137	X	-			.54 [13.7]	.51 [13.0]															

REV	DATE	DESCRIPTION	ECO	BY	C'H'K.
B	4/10/2019	MU UPDATON	51243	PP	WP



- NOTES:
1. TERMINAL: TIN PLATED COPPER
 2. INSULATION: NYLON
 3. DIMENSIONS IN BRACKETS [] ARE IN MILLIMETERS AND ARE FOR REFERENCE ONLY.
 4. DIE SETS ARE LISTED IN BRACKETS [] AFTER THEIR RESPECTIVE TOOLS.
 5. UL LISTED WIRE CONNECTORS PER UL486A/B (FILE E9498) REQUIREMENTS.
 6. DISCONTINUED TOOLS: Y6NCP, Y10MRSA, Y10MRPA
CONTACT TECH SERVICE FOR INFORMATION ABOUT APPROVED APPLICATIONS (1-800-451-4956)
 7. WIRE CONNECTOR:
600V MAXIMUM
TEMPERATURE RATING OF INSULATING MATERIAL 105°C
FLAME RATING: UL746C GLOW WIRE TEST
 8. MEETS REQUIREMENTS OF SAE-AS7928. ITEMS WITH CATALOG NUMBERS FOLLOWED BY TWO ASTERISKS (**) CONFORM TO AS25036 WHEN SUFFIX "M" IS ADDED TO CATALOG NUMBER.
 9. ITEMS WITH CATALOG NUMBERS FOLLOWED BY A SINGLE ASTERISK (*) ARE NOT UL LISTED.

TO ORDER BURNDY® PRODUCTS CALL		INSULUG															
UNITED STATES 1-800-346-4175 (LONDONDERRY, NH)		ITEM NO: SEE TABLE															
CANADA: 1-800-361-6975 (QUEBEC) 1-800-387-6487 (ALL OTHER PROVINCES)		CAT. NO: TYPES YAEV & YAEV-L															
FOR PRODUCT INFO: http://www.burndy.com		<table border="1"> <tr> <td>DRAWN BY: P.PRASANTH</td> <td>11/16/2018</td> </tr> <tr> <td>CHECKER: V.SAKTHIVEL</td> <td>11/16/2018</td> </tr> <tr> <td>DSN APRVL: K.CASTONGUAY</td> <td>12/19/2018</td> </tr> <tr> <td>MFG APRVL: --</td> <td>12/30/1899</td> </tr> <tr> <td>QA APRVL: B.POST</td> <td>11/28/2018</td> </tr> <tr> <td>MKT APRVL: M.BAILLY</td> <td>11/27/2018</td> </tr> <tr> <td>PROD FAM: --</td> <td></td> </tr> </table>		DRAWN BY: P.PRASANTH	11/16/2018	CHECKER: V.SAKTHIVEL	11/16/2018	DSN APRVL: K.CASTONGUAY	12/19/2018	MFG APRVL: --	12/30/1899	QA APRVL: B.POST	11/28/2018	MKT APRVL: M.BAILLY	11/27/2018	PROD FAM: --	
DRAWN BY: P.PRASANTH	11/16/2018																
CHECKER: V.SAKTHIVEL	11/16/2018																
DSN APRVL: K.CASTONGUAY	12/19/2018																
MFG APRVL: --	12/30/1899																
QA APRVL: B.POST	11/28/2018																
MKT APRVL: M.BAILLY	11/27/2018																
PROD FAM: --																	
		<table border="1"> <tr> <td>PROJECT #:</td> <td>--</td> <td>SIZE</td> <td>D</td> </tr> <tr> <td>DOCUMENT TYPE:</td> <td>SALES</td> <td></td> <td></td> </tr> <tr> <td>REL LEVEL:</td> <td>Released</td> <td></td> <td></td> </tr> </table>		PROJECT #:	--	SIZE	D	DOCUMENT TYPE:	SALES			REL LEVEL:	Released				
PROJECT #:	--	SIZE	D														
DOCUMENT TYPE:	SALES																
REL LEVEL:	Released																
		<table border="1"> <tr> <td>DRAWING NO</td> <td>50094163</td> <td>REV</td> <td>B</td> </tr> <tr> <td colspan="2">SHEET 3 OF 3</td> <td colspan="2"></td> </tr> </table>		DRAWING NO	50094163	REV	B	SHEET 3 OF 3									
DRAWING NO	50094163	REV	B														
SHEET 3 OF 3																	