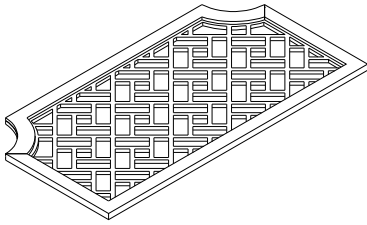
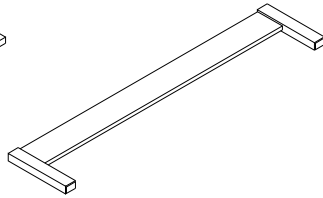


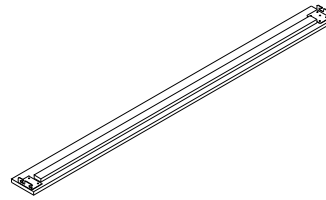
PARTS LIST



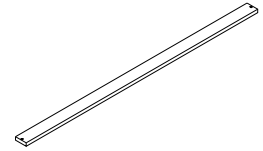
NAME: HEADBOARD
 CODE: 1
 QTY: 1Pc



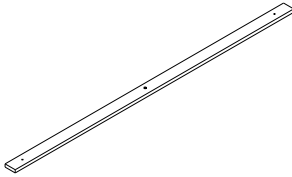
NAME: FOOTBOARD
 CODE: 2
 QTY: 1Pc



NAME: SIDERAIL
 CODE: 3
 QTY: 2Pcs



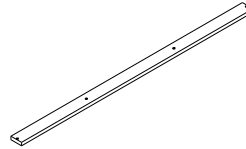
NAME: BED SLATS
 CODE: 4
 QTY: 8Pcs



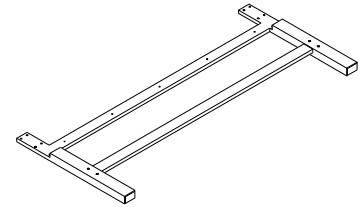
NAME: CENTER BAR
 CODE: 5
 QTY: 2Pcs



NAME: SUPPORT STAND
 CODE: 6
 QTY: 6Pcs



NAME: BED SLATS
 CODE: 7
 QTY: 4Pcs



NAME: SUPPORT FRAME
 CODE: 8
 QTY: 1Pc

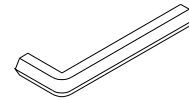
HARDWARE LIST



NAME: JCBB SCREW M8x20mm
 CODE: A
 QTY: 8Pcs



NAME: CHIPBOARD SCREW M4x32mm
 CODE: B
 QTY: 37Pcs



NAME: ALLEN KEY M5
 CODE: C
 QTY: 1Pc



NAME: JCBC SCREW M6x30mm
 CODE: D
 QTY: 12Pcs

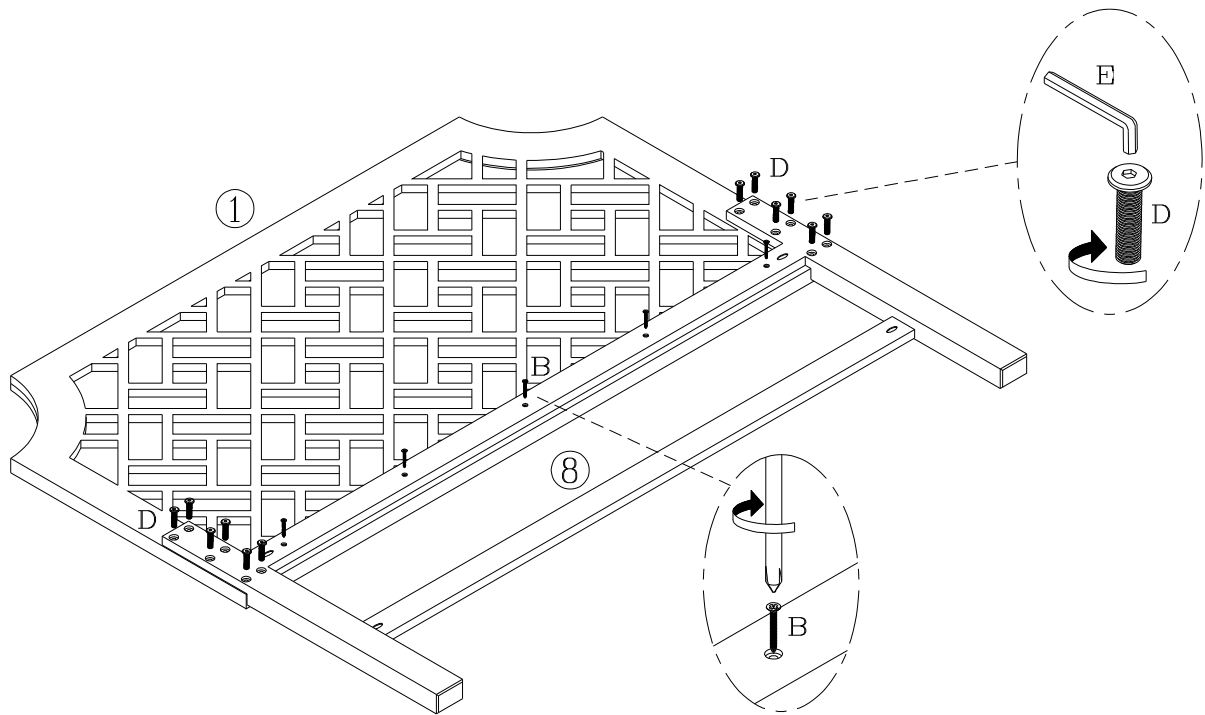


NAME: ALLEN KEY M4
 CODE: E
 QTY: 1Pc



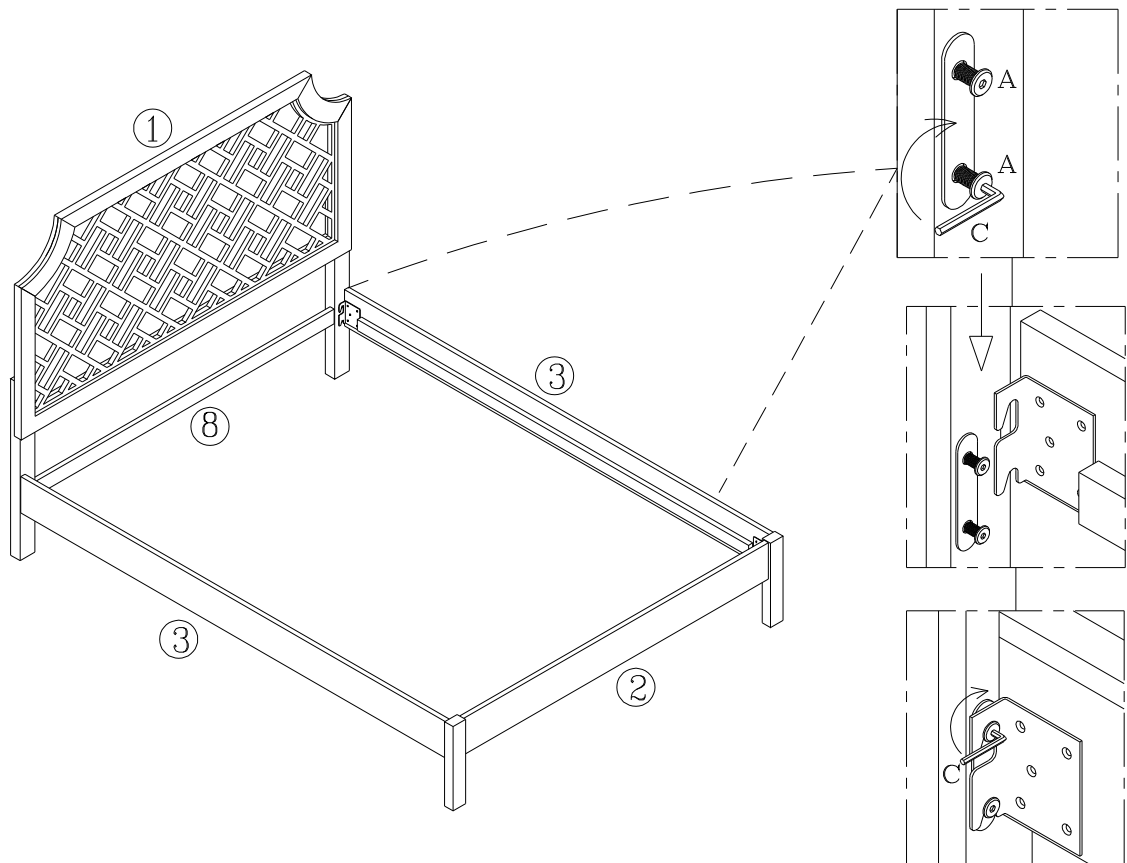
QUEEN BED

-THE UNIT SHOULD BE ASSEMBLED BY 2 OR MORE PEOPLE
 -EXTRA HARDWARE INCLUDED



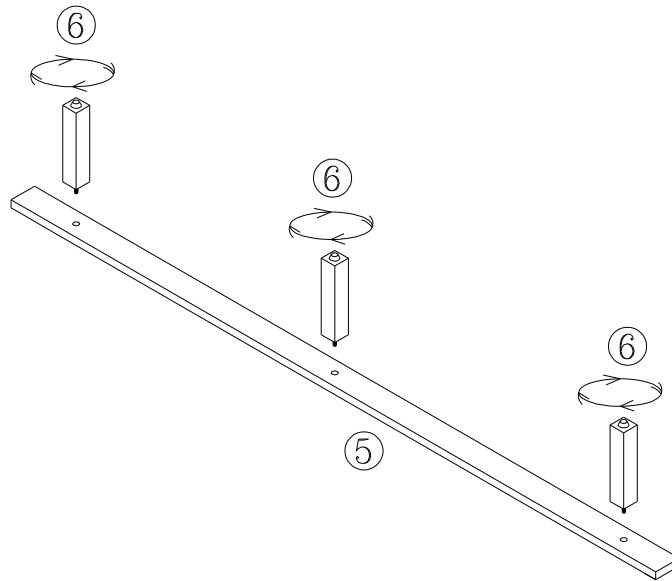
STEP 1

- A) Attach Headboard(1) & Support Frame(8) & tighten JCBC Screw(D).
 B) Attach Headboard(1) & Support Frame(8) using Chipboard Screw(B) to secure



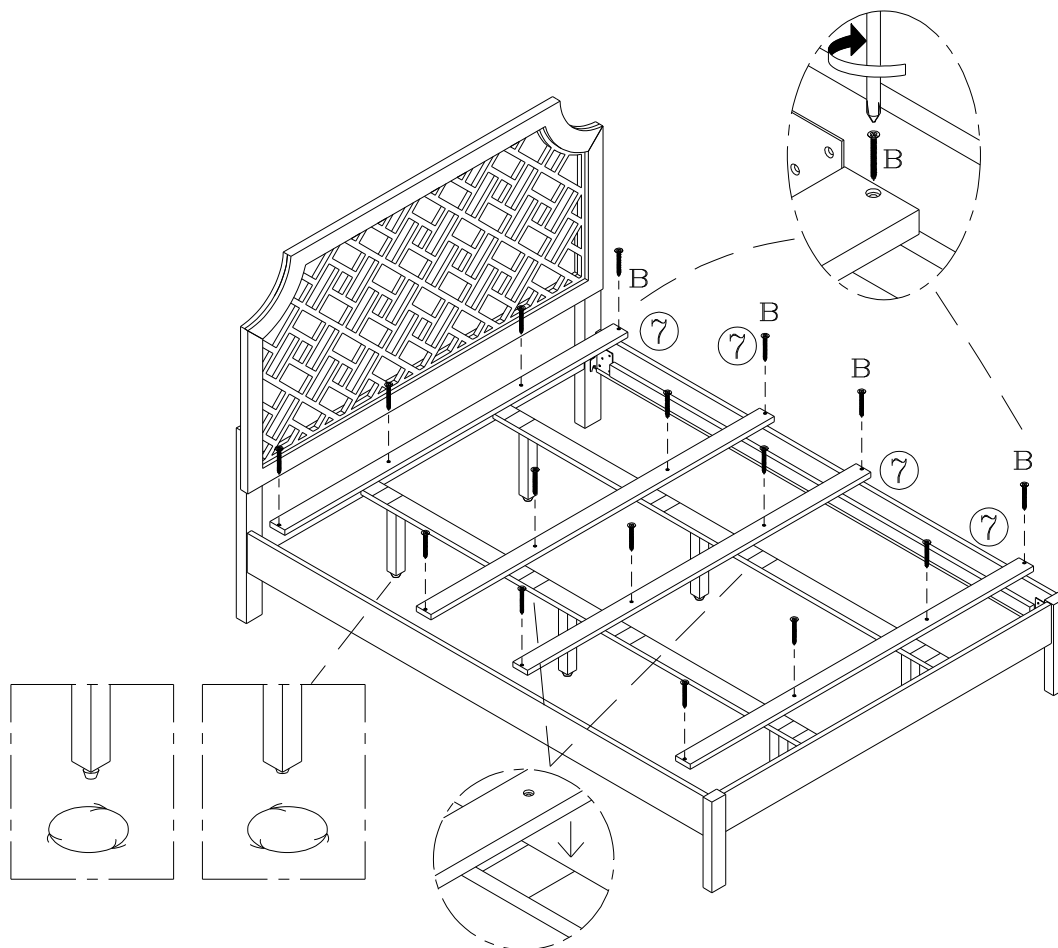
STEP 2

- A) Attach JCBB Screw(A) loosely to bracket in Support Frame(8) & Footboard(2)
 Attach Side Rails(3) to Support Frame(8) & Footboard(2) & tighten JCBB Screw(A).



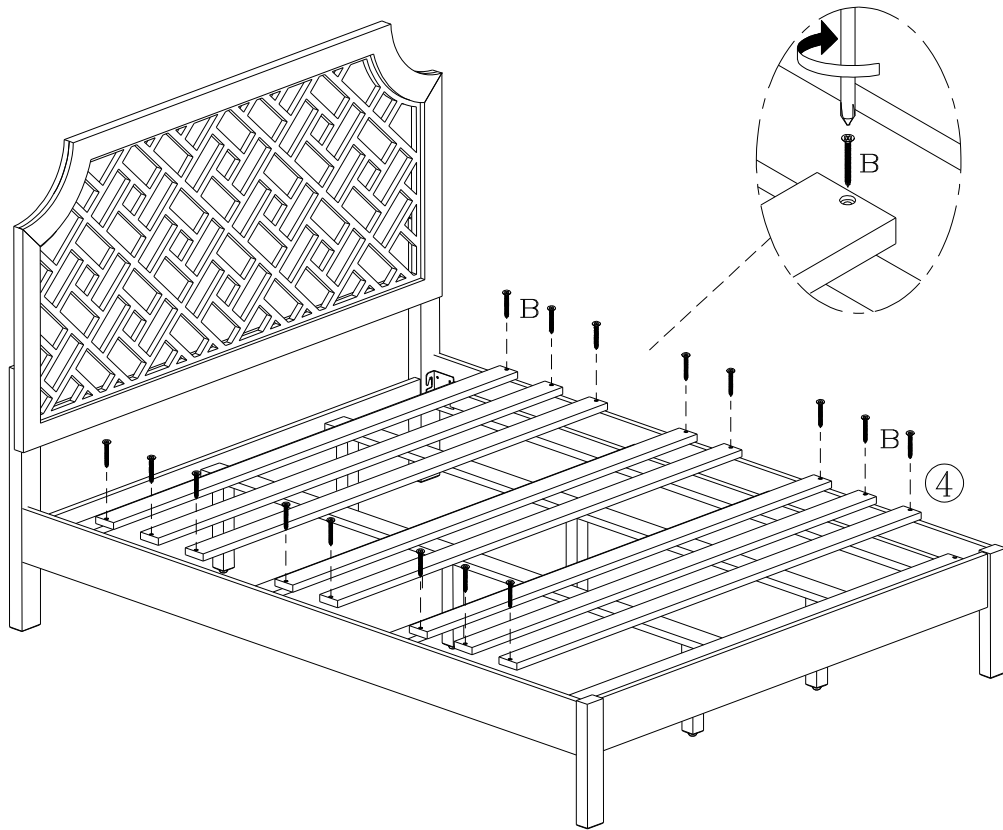
STEP 3

A) Screw in Support Stand(6) to Center Bar(5)



STEP 4

- A) Place both Center Bar(5) & Support Stand(6)
- B) Attach Bed Slats(7) to Side Rail(3) using Chipboard Screw(B) to secure
- C) Adjust levelers as needed



STEP 5

A) Attach bed slats(4) to Side Rail(3) using Chipboard Screw(B) to secure Bed Sl