



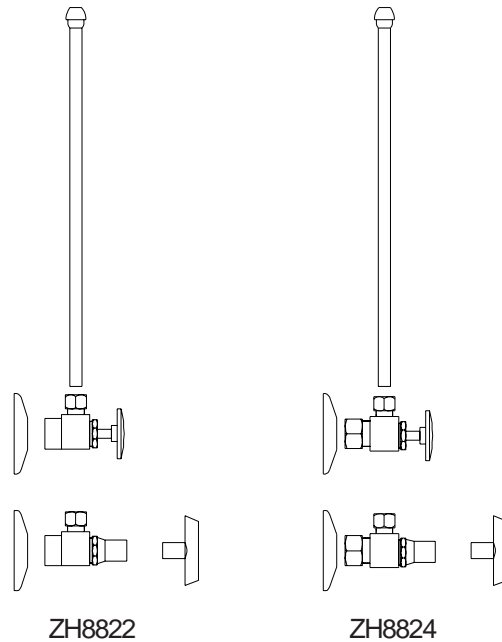
HEAVY DUTY STOP WITH FLEXIBLE LAVATORY SUPPLY

ZH8822LR-XL-PC TO ZH8824LRLK-XL-PC

TAG _____

Engineering Specification: Zurn ZH8822LR-XL-PC TO ZH8824LRLK-XL-PC -Two Zurn chrome plated, solid brass heavy duty angle stops with round wheel handles or loose key (LK) as specified, two 12[305] flexible chrome plated copper lavatory risers complete with two chrome plated steel flanges.

Zurn Lead Free products (-XL), is the line of durable, high quality brass faucets and fixtures that are designed and manufactured to comply with state laws and local codes that mandate lead content levels. Zurn Lead Free products (-XL) are manufactured with less than one quarter of one percent (0.25%) total lead content by weighted average.



PRODUCT NUMBER	CONNECTIONS
ZH8822LR-XL-PC	1/2 [13] IPS x 3/8 [10]OD
ZH8822LRLK-XL-PC	1/2 [13] IPS x 3/8 [10] OD
ZH8824LR-XL-PC	1/2 [13] NOM x 3/8 [10] OD
ZH8824LRLK-XL-PC	1/2 [13] NOM x 3/8 [10] OD

SUFFIXES

_____	- A	Single supply option			
_____	- CE	Chrome Plated, Cast Brass, Flange with setscrew	_____	- 15	15[381] Supply tube
_____	- D	Chrome Plated Steel, Deep Bell Flange (Bell Type)	_____	- 20	20[508] Supply tube
_____	- HC1	Heavy-duty line lock shield cap			
_____	- WD	Wrought Brass, Deep Flange, (Bell Type)			
_____	- XP	Cross Handle			

ZURN INDUSTRIES, LLC ♦ COMMERCIAL BRASS OPERATION ♦ 2640 SOUTH WORK STREET ♦ FALCONER NY 14733

Phone: 1-716-665-1132 ♦ Fax: 1-716-665-1135 ♦ World Wide Web: www.zurn.com

In Canada: ZURN INDUSTRIES LIMITED ♦ 3544 Nashua Drive ♦ Mississauga, Ontario L4V1L2 ♦ Phone: 905/405-8272 Fax: 905/405-1292