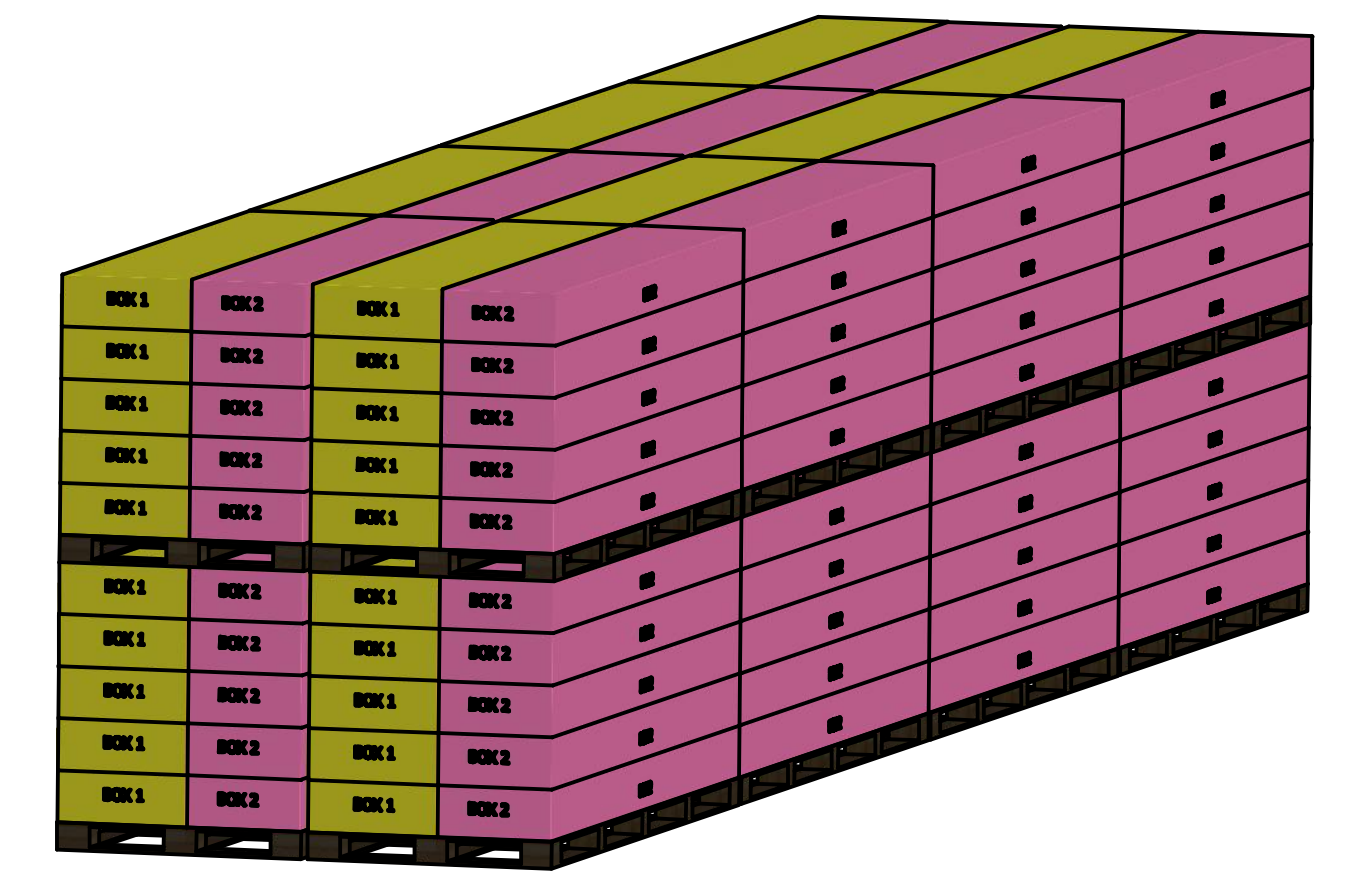
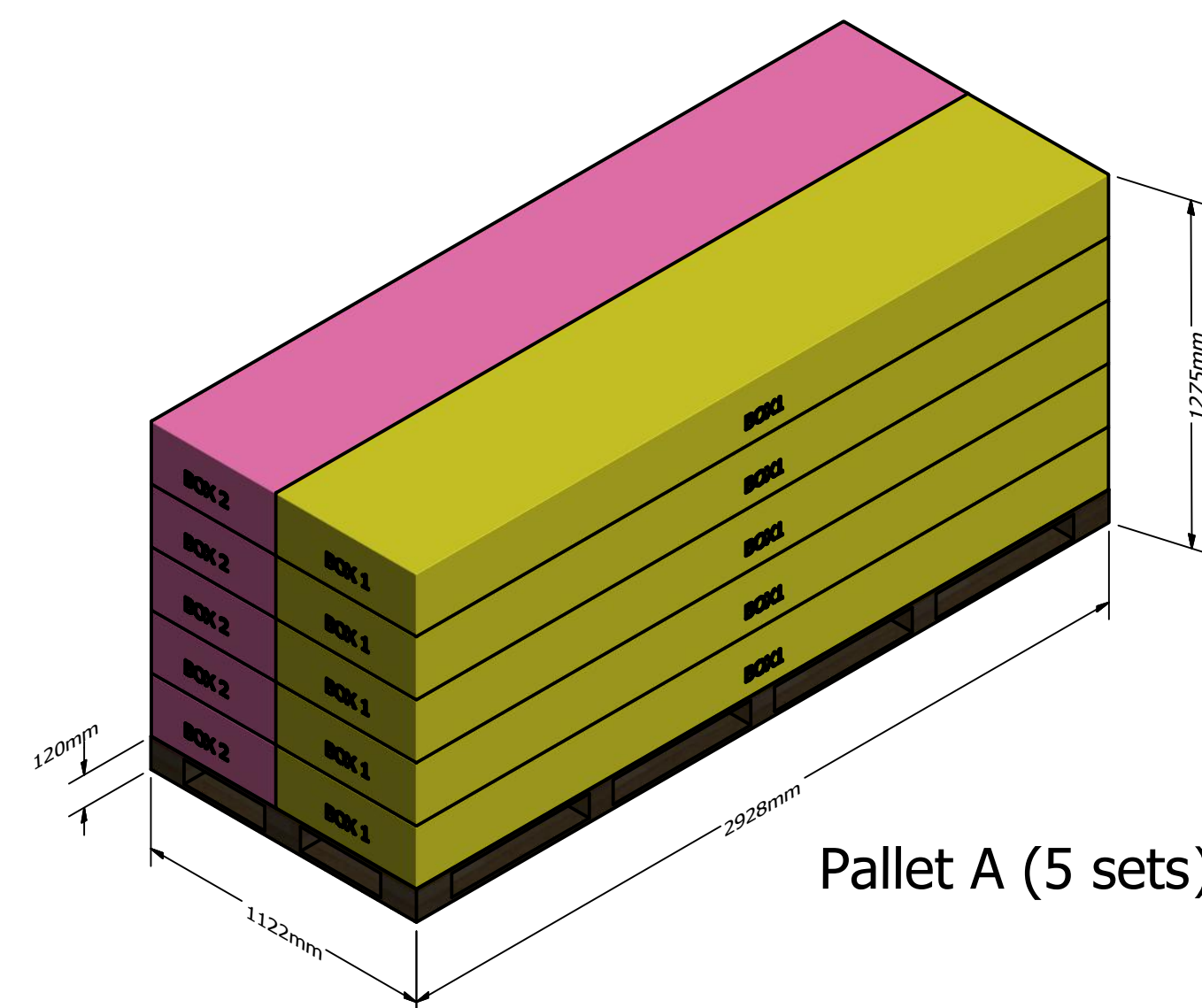
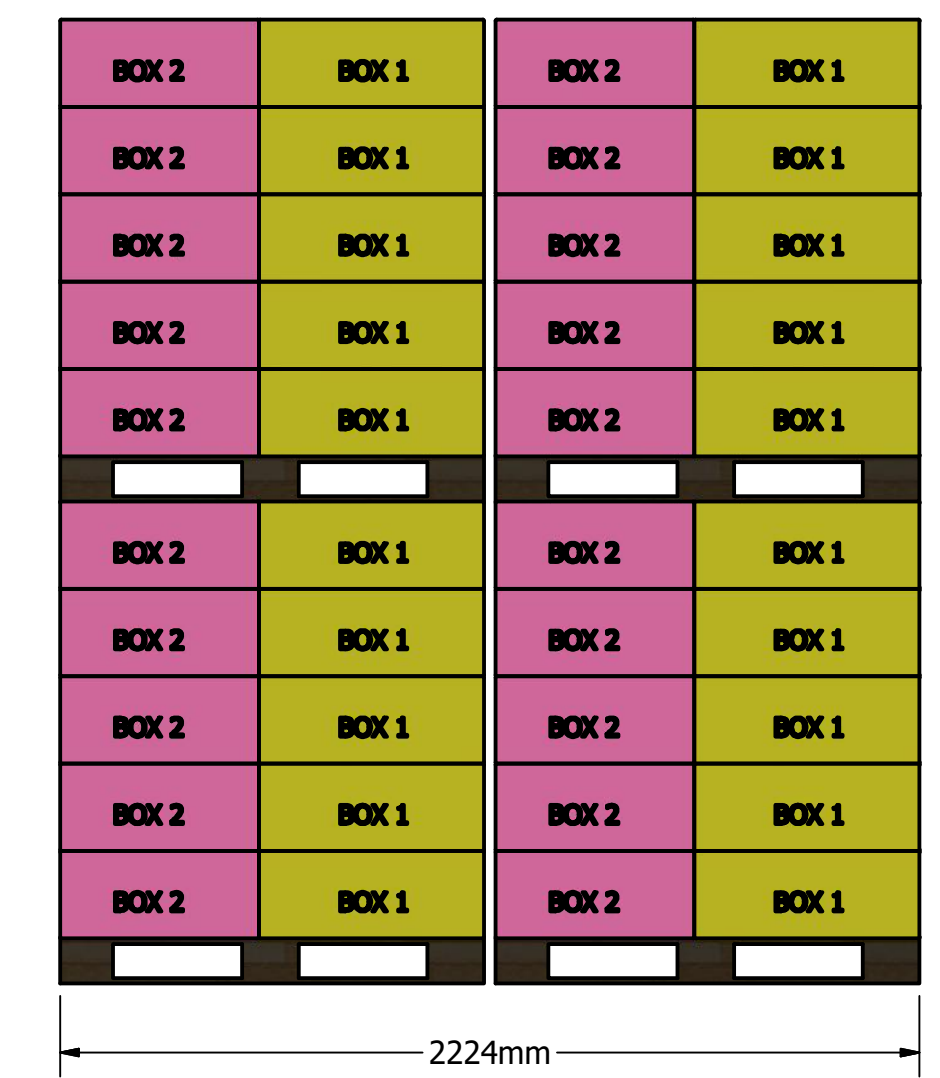
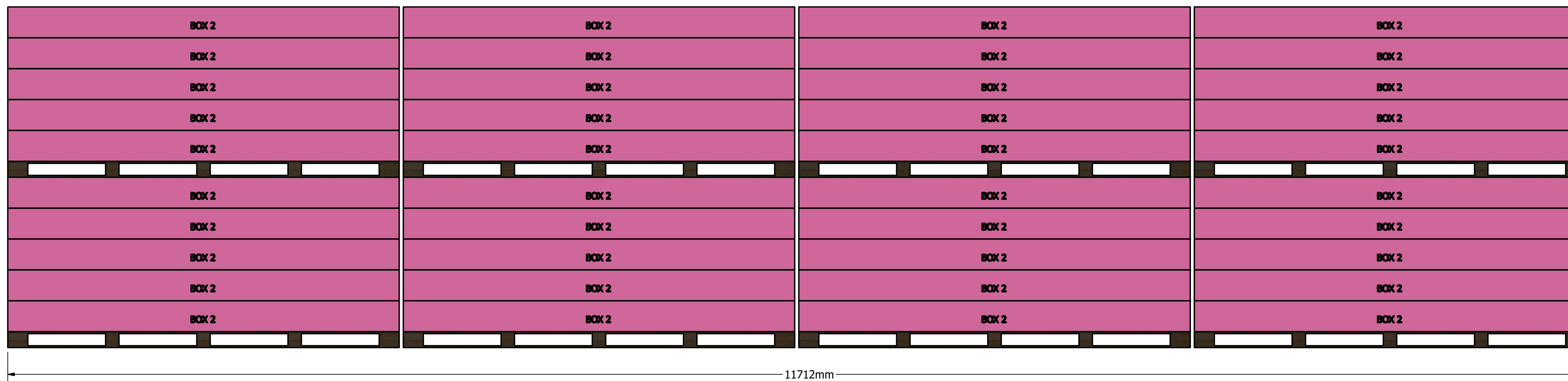
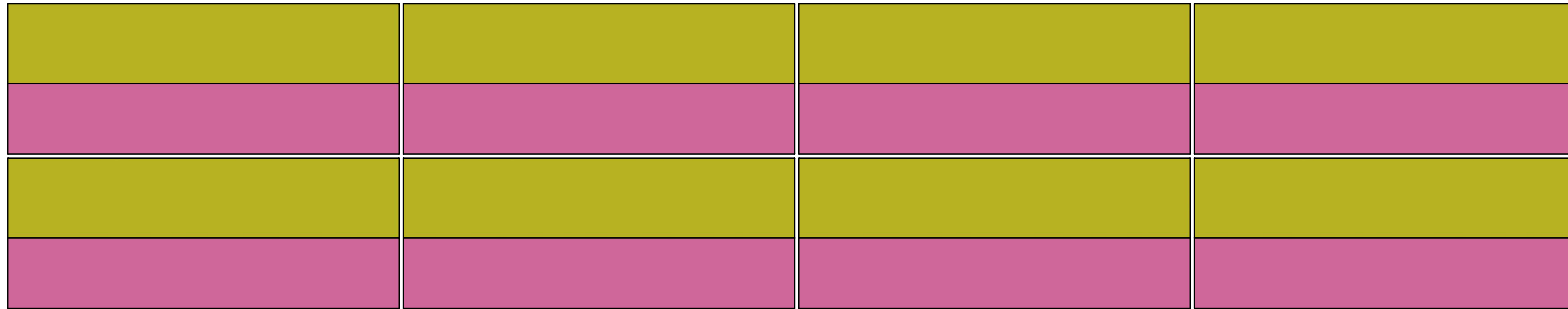


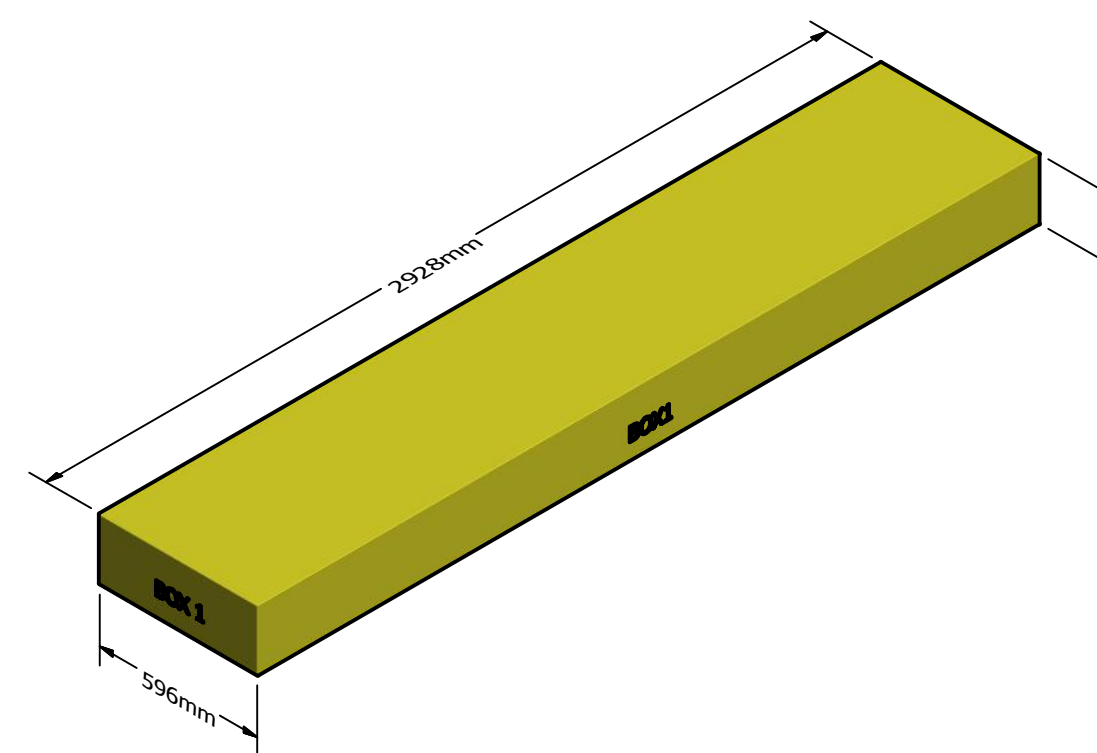
2106529 SOMERVILLE Container Loading (1 set=2boxes, 80 sets/40HQ)



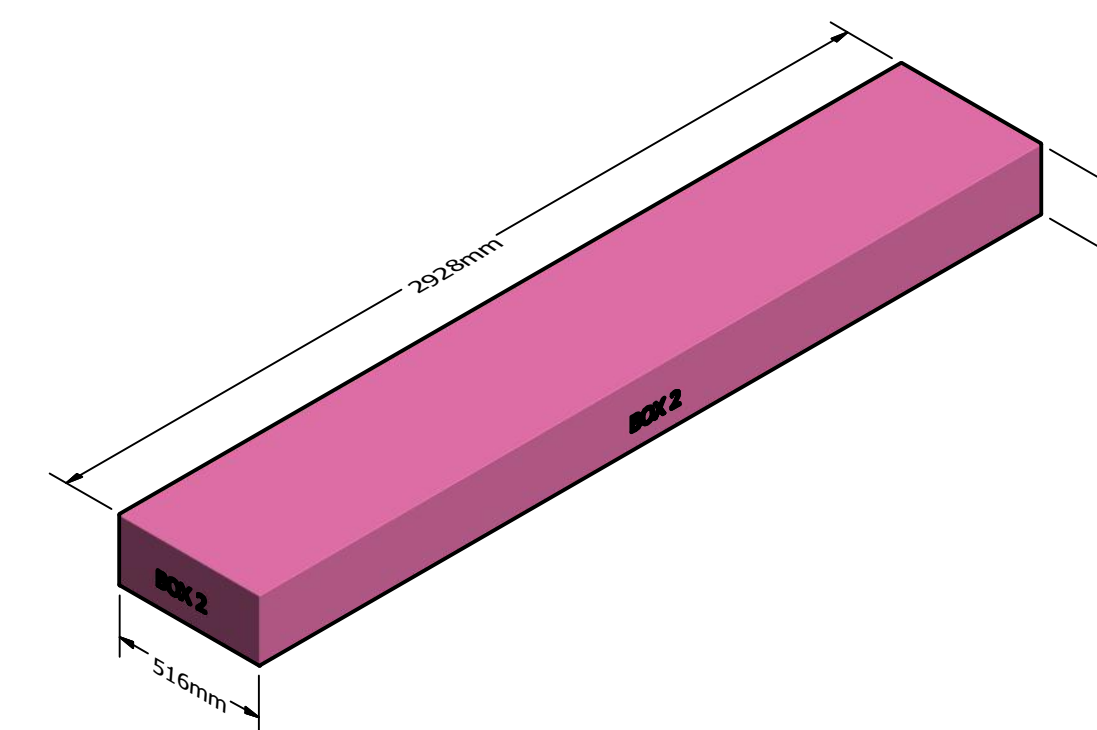
Pallet A *16



Pallet A (5 sets)



BOX1 (98kg)



BOX2 (99kg)

DRAWN Rudy	2019/8/6		
CHECKED		TITLE	
QA			
MFG			
APPROVED			
		SIZE D	DWG NO 2盒装
		SCALE 0.03 : 1	REV
		SHEET 1 OF 1	