

KOHLER® Faucets

Wall-mount handshower holder with supply elbow and check valve

Statement® K-26310

Features

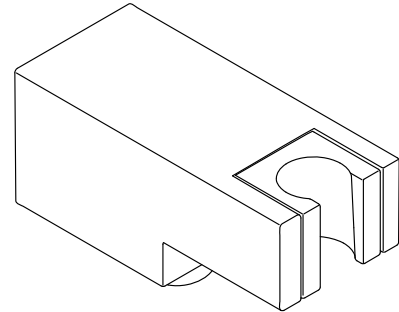
- For use with a handshower and hose (sold separately)
- Includes check valve for backflow prevention
- Handshower holder fits most handshowers
- Coordinates with other products in the Statement collection

Material

- Durable metal construction
- KOHLER finishes resist corrosion and tarnishing

Installation

- Wall-mount



Codes/Standards

None Applicable

KOHLER® Faucet Lifetime Limited Warranty

See website for detailed warranty information.

Available Colors/Finishes

Color tiles intended for reference only.

Color	Code	Description
	CP	Polished Chrome
	SN	Vibrant® Polished Nickel
	AF	Vibrant® French Gold
	BN	Vibrant® Brushed Nickel
	BV	Vibrant® Brushed Bronze
	BL	Matte Black
	2MB	Vibrant® Brushed Moderne Brass
	TT	Vibrant Titanium
	BGP	Vibrant Brushed Graphite

1-800-4KOHLER (1-800-456-4537)

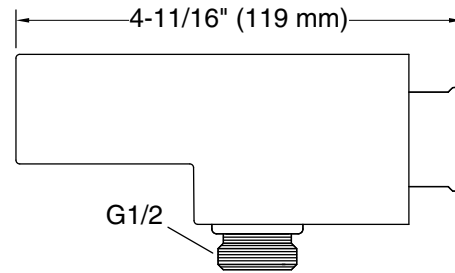
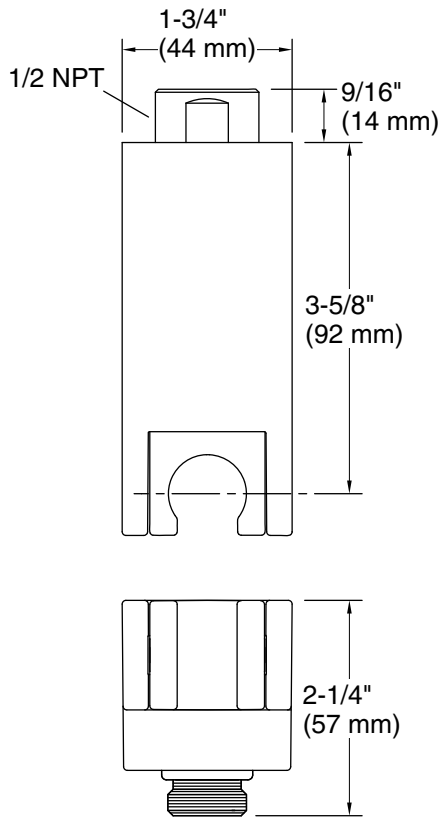
Kohler Co. reserves the right to make revisions without notice to product specifications.

For the most current Specification Sheet, go to www.kohler.com USA or www.kohler.ca Canada

9-8-2025 20:00 - US/CA

THE BOLD LOOK
OF **KOHLER**®

KOHLER Faucets Wall-mount handshower holder with supply elbow and check valve
Statement®
check valve
K-26310



Technical Information

All product dimensions are nominal.

Spout: