

CSA, ULI

RIGID PVC CONDUIT FITTINGS

FS SINGLE GANG BOXES

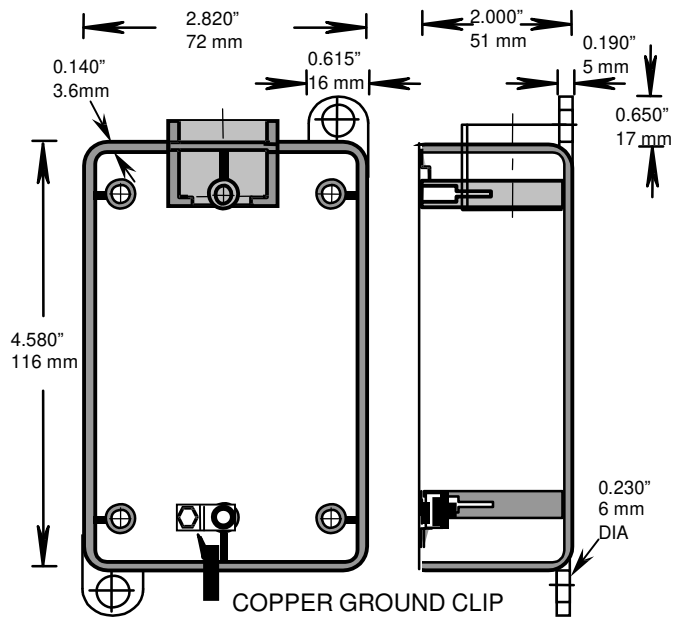
ISSUE DATE:

DATE D'EMISSION: 2009 06 15

SUPERCEDES:

REPLACE: 2004 06 15

3



PRODUCT CODE	PART NUMBER	VOLUME	
		( cubic in)	(cubic mm)
077601	FS-10	17.5	287.0
077602	FS-15	17.5	287.0
077828**	FS-10	17.5	287.0
178162	FS-05	17.5	287.0

**INSERTS AND GROUND CLIP**

DESCRIPTION	PART NUMBER	SIZE	QUANTITY
REGULAR INSERT	072537	6-32	5
COLLAR INSERT	072536	6-32	1
SCREW (HEXHEAD COMB) WITH GROUND CLIP	072512	10-32 X 5/16	1

\*\* Without Ground Clip and Collar Insert