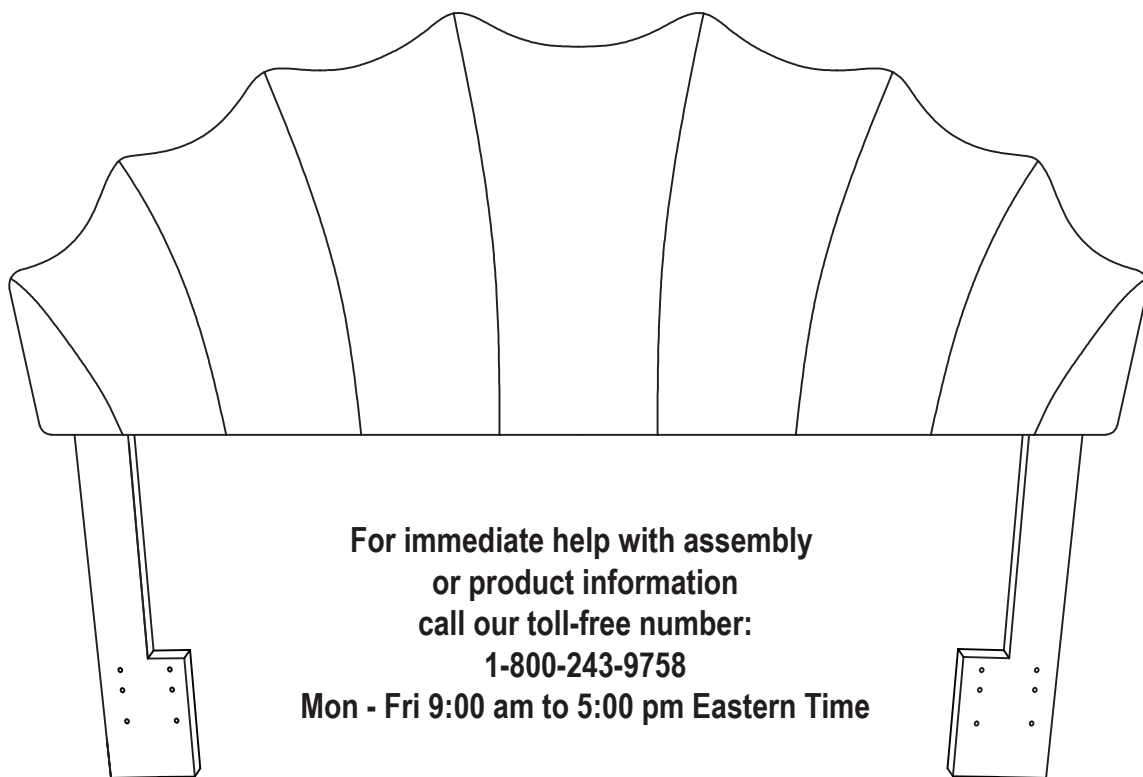




Living Essentials
by

HILLSDALE UPHOLSTERED SEASHELL SHAPED FULL/QUEEN HEADBOARD

INTERACTIVE ASSEMBLY INSTRUCTIONS



For immediate help with assembly
or product information
call our toll-free number:
1-800-243-9758
Mon - Fri 9:00 am to 5:00 pm Eastern Time

LOT NUMBER: _____ DATE PURCHASED: ___ / ___ / _____

Version 2.0 ; Date : 09-07-2023

2973-490

Made in Vietnam

Examine all packaging material for small parts that may have come loose during shipment. Periodic checks are recommended to ensure that all components are in properly positioned, tight and free from damage. THIS INSTRUCTION BOOKLET CONTAINS **IMPORTANT** SAFETY INFORMATION. PLEASE READS AND KEEP FOR FUTURE REFERENCE. Adult assembly is required. This product of Hillsdale Furniture, LLC is designed for residential use only

⚠ DANGER

• Risk of suffocation! •

Keep any packaging materials away from children.

Before Getting Started

- Read the instructions carefully prior to assembling the product.
- Carefully remove all packaging materials and retain for future use.
- Choose a clean, level, spacious assembly area. Avoid hard surfaces that may damage the product.
- Ensure that you have all required contents for complete assembly.
- Take care when lifting. Assemble the product in close proximity to where you intend to position the item.
- Do not over tighten the screws and bolts and be careful when using power tools as they may damage the threads.
- When you have finished assembling the product, place it on a flat surface and make sure it is stable before use.
- Please do not completely tighten bolts and/or screws until assembly is finished.

Cleaning & Maintenance

- Keep the product away from direct heat and sunlight.
- Prolonged exposure to heat sources may cause glazing, melting and scorching, or even cause color to fade.
- Regular vacuuming or light brushing helps to remove dirt and prevent soil buildup, which increases the appearance of wear.
- Periodically (every 90 days) make sure that the screws are fully tightened.

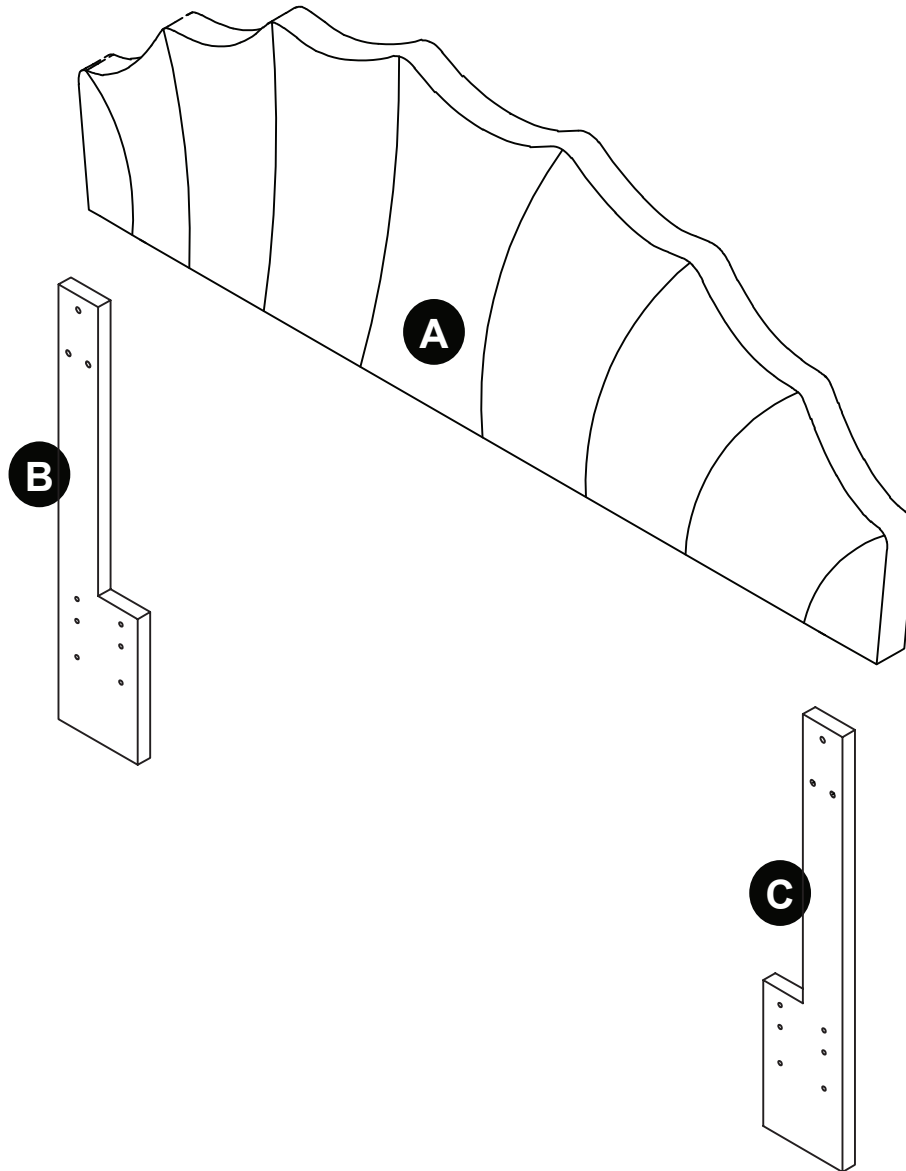
Metal Furniture Care Instructions

- For everyday cleaning: chrome, brass, aluminum, and painted metal surfaces can be kept looking their best by wiping with a slightly damp, soft cotton cloth or vacuum cleaner brush.
- If soiled, wipe with clean sponge or cloth wrung out of water. Wipe dry with cloth or paper towel to avoid water spots.
- Do not use any harsh abrasives or chemicals to clean any metal surfaces as it may damage the protective coating.
- Metal will rust if the finish is scratched or if your product is exposed to excessive humidity, particularly in salt water locations.
- Liquid spills should be removed immediately. Using a soft, clean cloth, blot the spill gently. Avoid rubbing.

PARTS

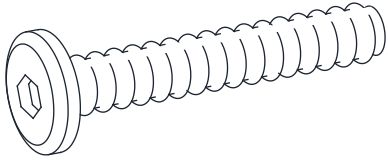
CONTENTS

Before getting started, ensure the package contains the following components:

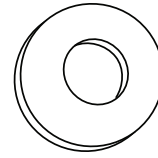


Parts No	Description	Qty
A	Headboard	1
B	Left Bun Foot of Headboard	1
C	Right Bun Foot of Headboard	1

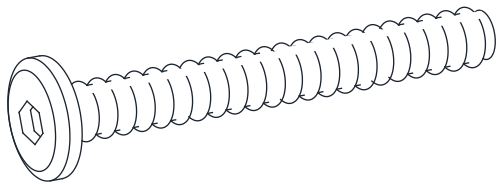
HARDWARE



1. Allen Bolts 1/4" -20 x 45mm
x 6



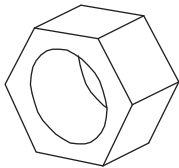
2. Flat Washer 1/4" *Ø16*1.5mm
x 10



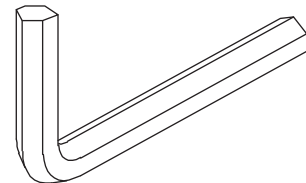
3. Allen Bolts 1/4" -20 x 50mm
x 4



4. Spring washer 1/4"
x 4

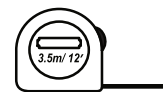
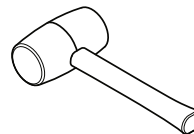
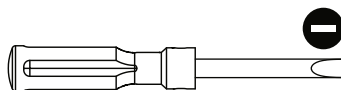
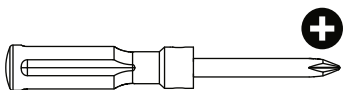


5. Hex Nut 1/4"
x 4



6. Allen key M4
x 1

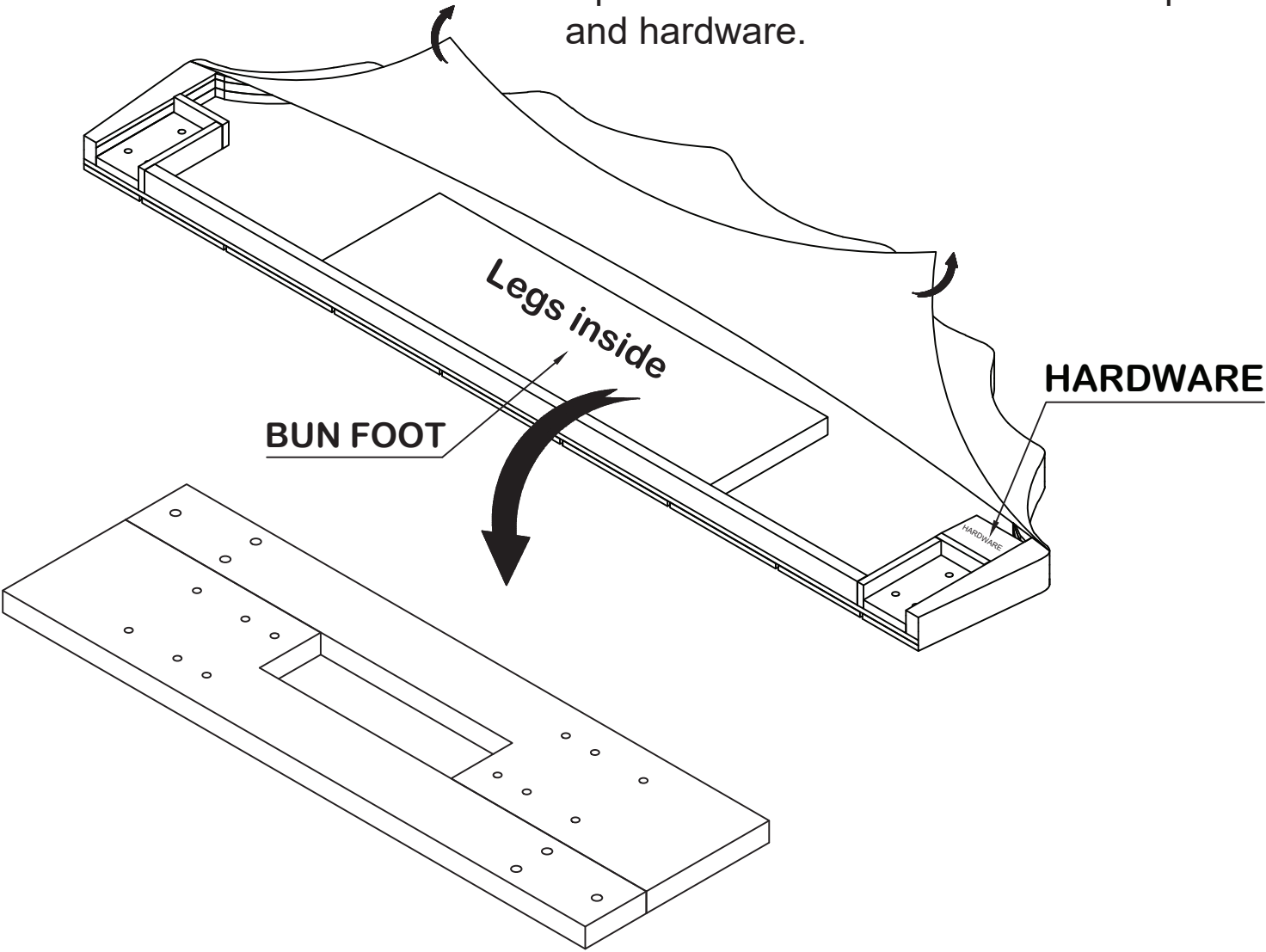
TOOLS REQUIRED FOR ASSEMBLY (NOT INCLUDED)



DO NOT USE POWER TOOLS TO ASSEMBLE THIS PRODUCT. USE OF POWER TOOLS WILL INVALIDATE ANY CLAIM AND MAY DAMAGE THIS PRODUCT MAKING IT UNSAFE.

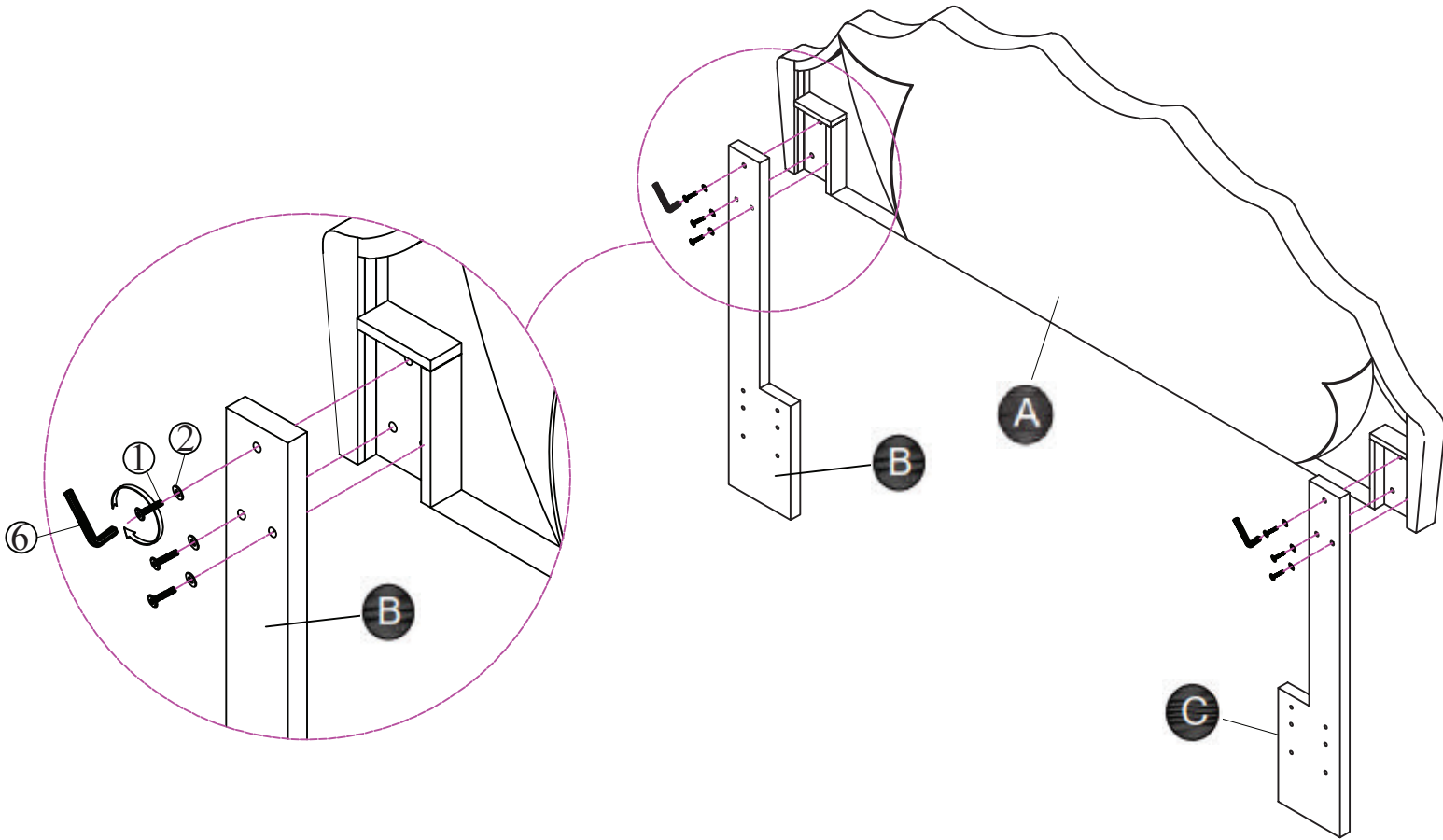
Assembly
STEP 1

Note:
Open the velcro cover and take out parts
and hardware.

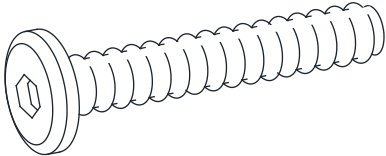


Assembly

STEP 2

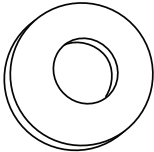


1 Allen Bolts
1/4" -20 x 45mm



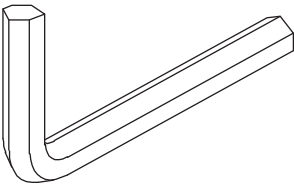
x 6

2 Flat Washers
1/4"*Ø16*1.5mm



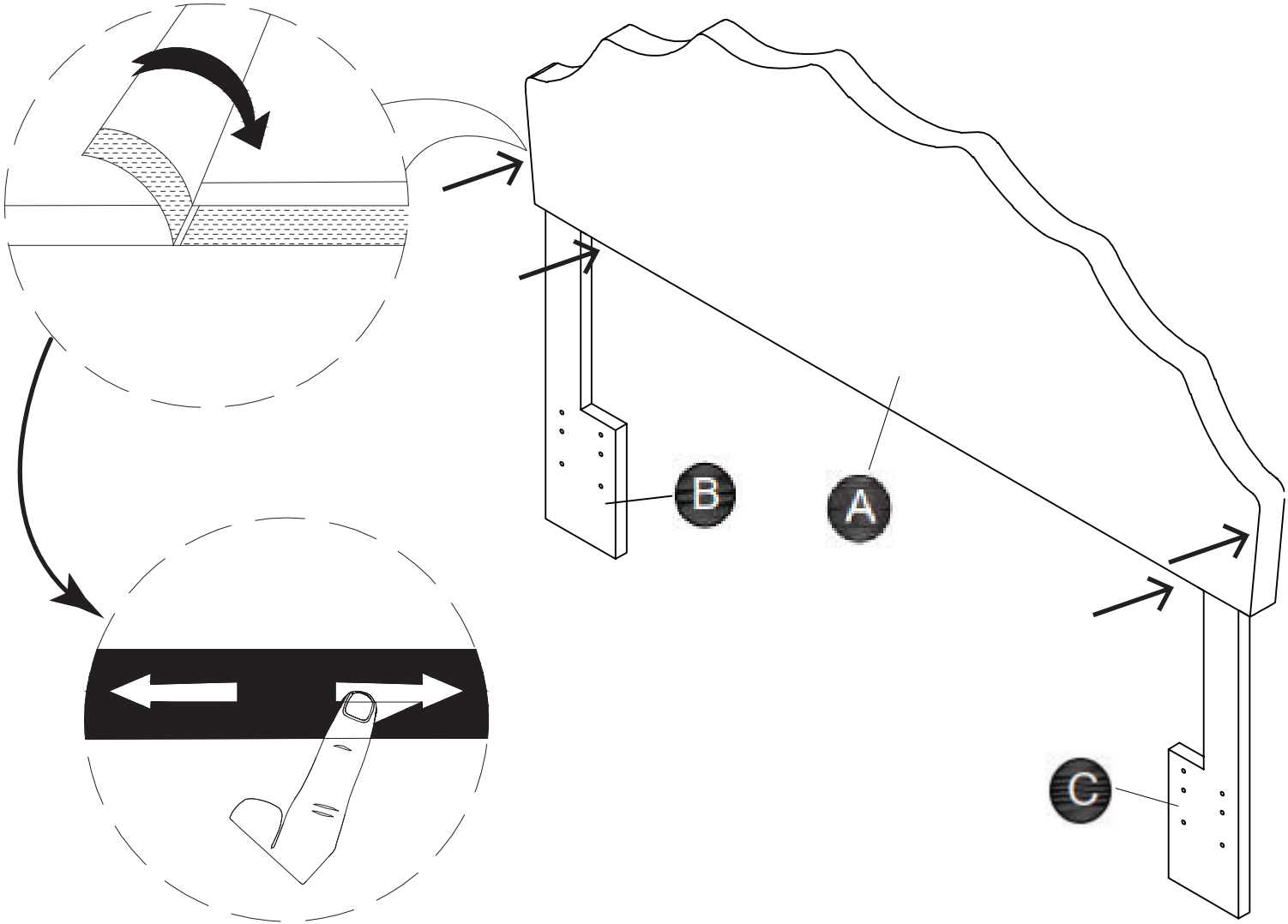
x 6

6 Allen key
M4



x 1

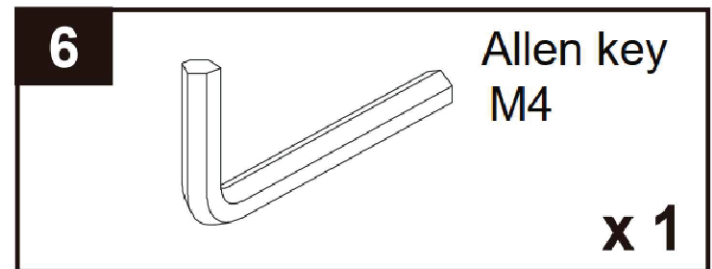
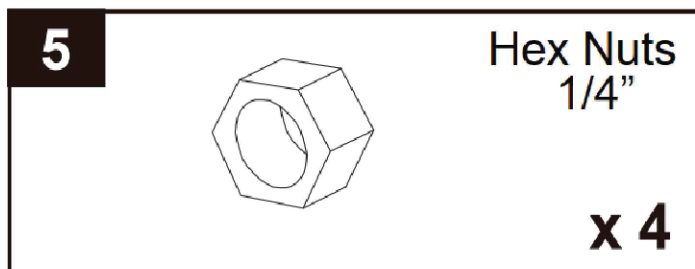
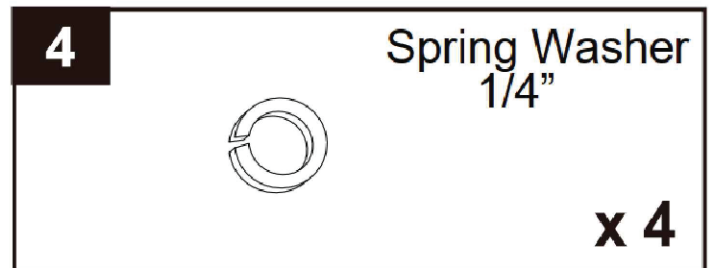
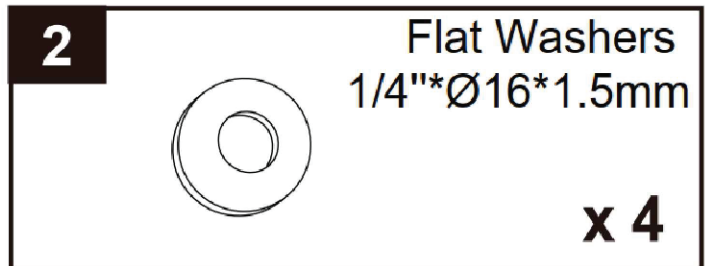
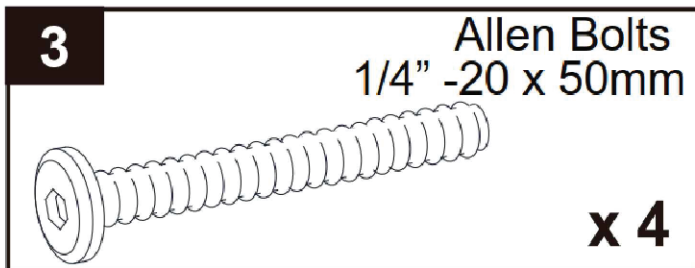
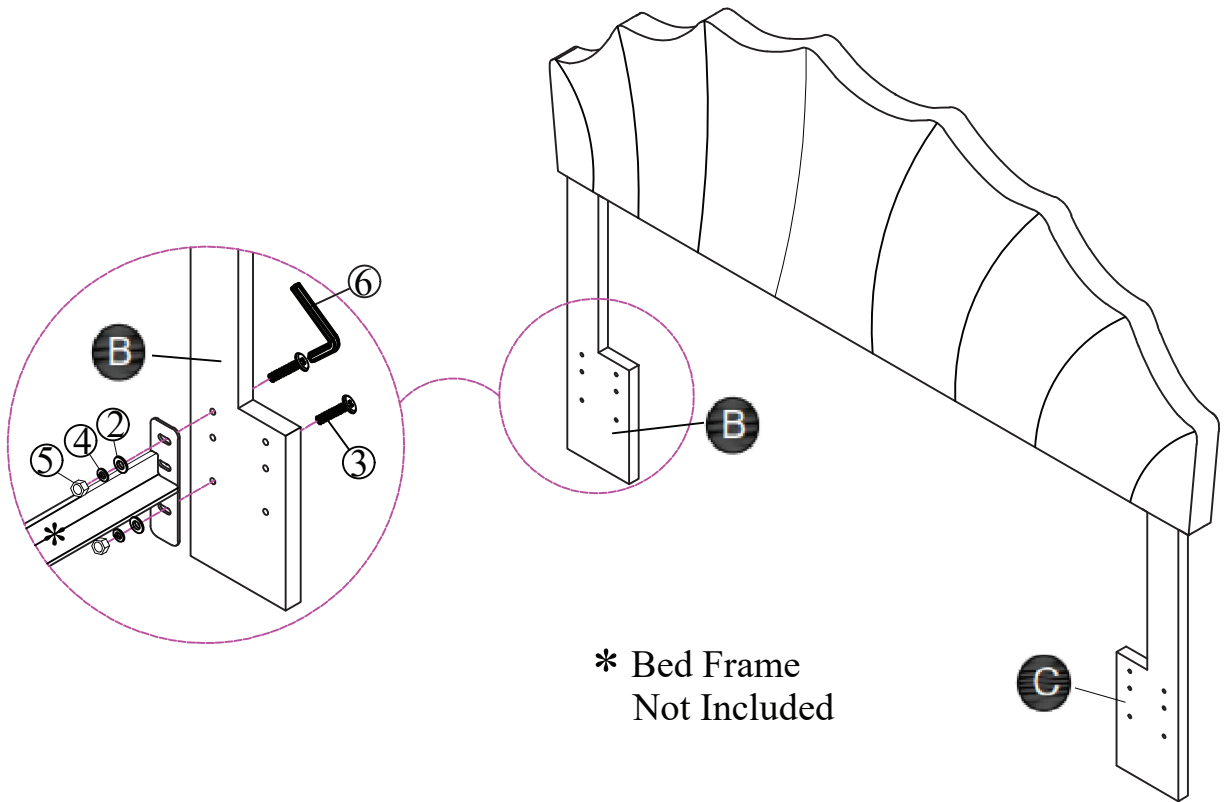
Assembly
STEP 3



Close the velcro

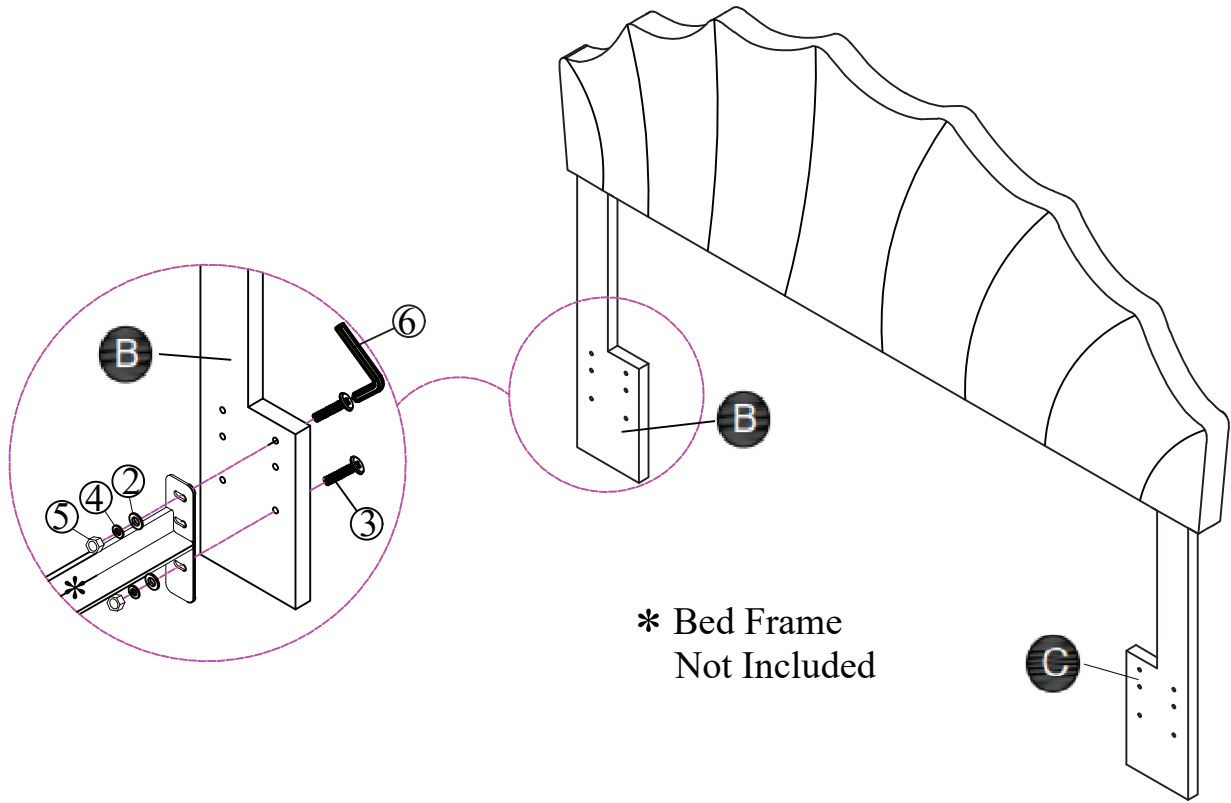
Assembly

For Queen Size

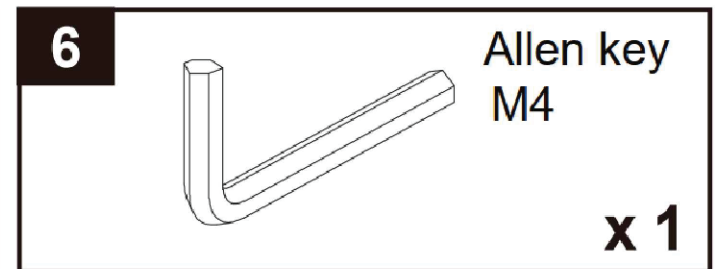
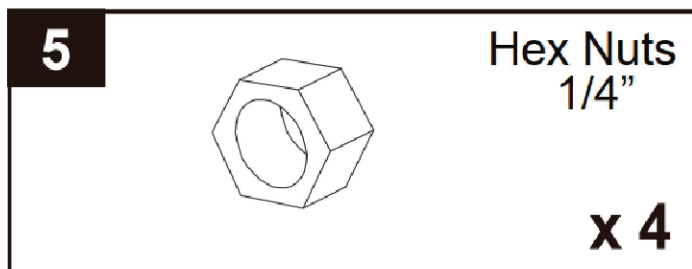
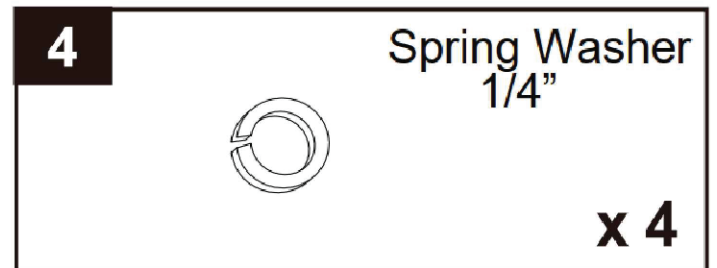
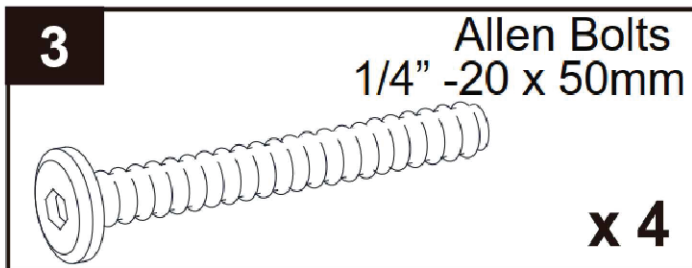


Assembly

For Full Size

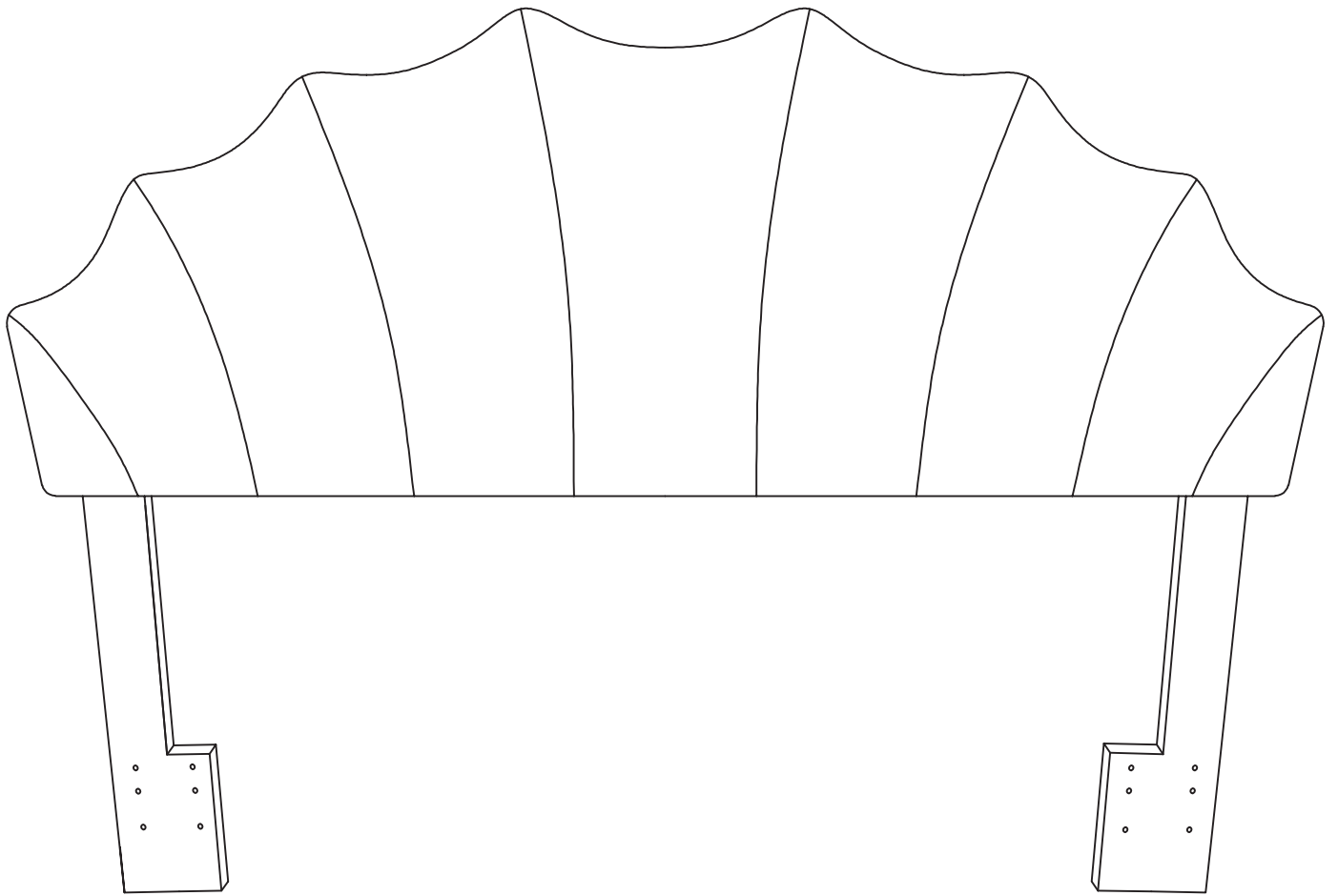


* Bed Frame
Not Included



Assembly

STEP 6



DOIN' THE *Happy* Dance?



Connect with us! Share a photo of you and your new piece of furniture with the hashtag #HillsdaleHome or tag us and you could be featured on Hillsdale's Social Media!



www.HillsdaleFurniture.com



UH OH!

Is there a product defect, a part missing, or questions on how to best assemble?

We want to help!

Call or email our Support Team below:

directship@hillsdalefurniture.com

502-562-0000