



MANUFACTURED BY:
Backyard Discovery
 3305 Airport Drive, Pittsburg, KS 66762
 800-856-4445

Basepoint Business Centre: Rivermead Drive, Westlea, Swindon SN5 7EX Phone: 0800-118-2476
 J.P. Coenstraat 7, The Bridge, The Hague, 2595 WP, Netherlands Phone: 08005678990

SOMERVILLE 10x14

Pergola

Model # 2006546B



Please visit www.backyarddiscovery.com

For the most up to date assembly manual, to register your set, or to order replacement parts
Para obtener instrucciones en español, visite www.backyarddiscovery.com



EASY STEP-BY-STEP
3D INTERACTIVE INSTRUCTIONS

DOWNLOAD THE FREE APP
 



INSTALLATION SERVICES AVAILABLE!
See inside for details



It is critically important that you start with square and level footings, concrete pad or deck to attach your structure

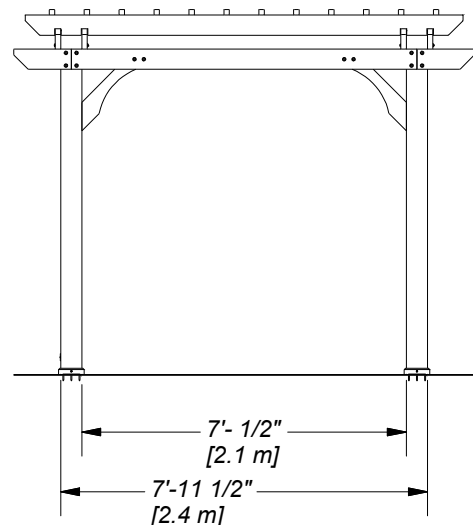
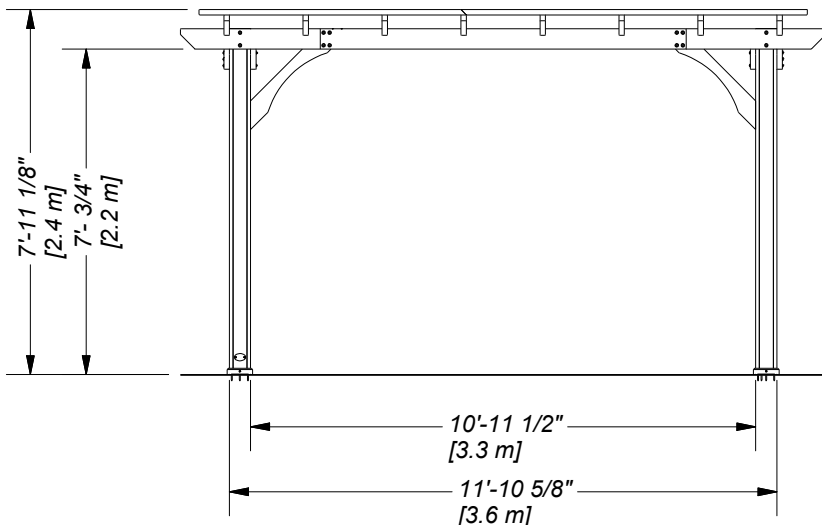
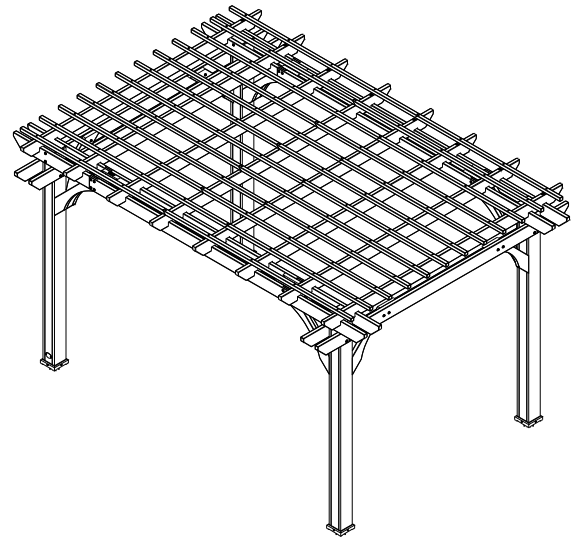
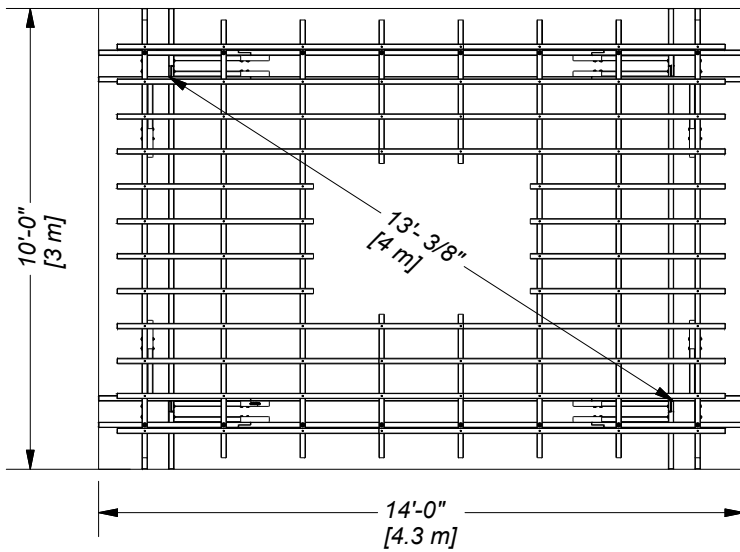
- Pay close attention to the items needed for each step. Make sure you are using the correct hardware for each step. Using incorrect hardware may result in improper assembly.
- Remember to double check for underground utilities and overhead electrical lines.

Post mounts are provided with your structure which allows you to permanently install your structure to a pre-existing or new wood or concrete surface.

- The hardware to attach the post mounts to the structure is included.
- The hardware to mount the structure permanently to a concrete surface is included.
- The hardware to mount the structure permanently to a wood deck is NOT included and will need to be purchased separately. You must ensure there is ample structural support under the deck before permanently attaching.

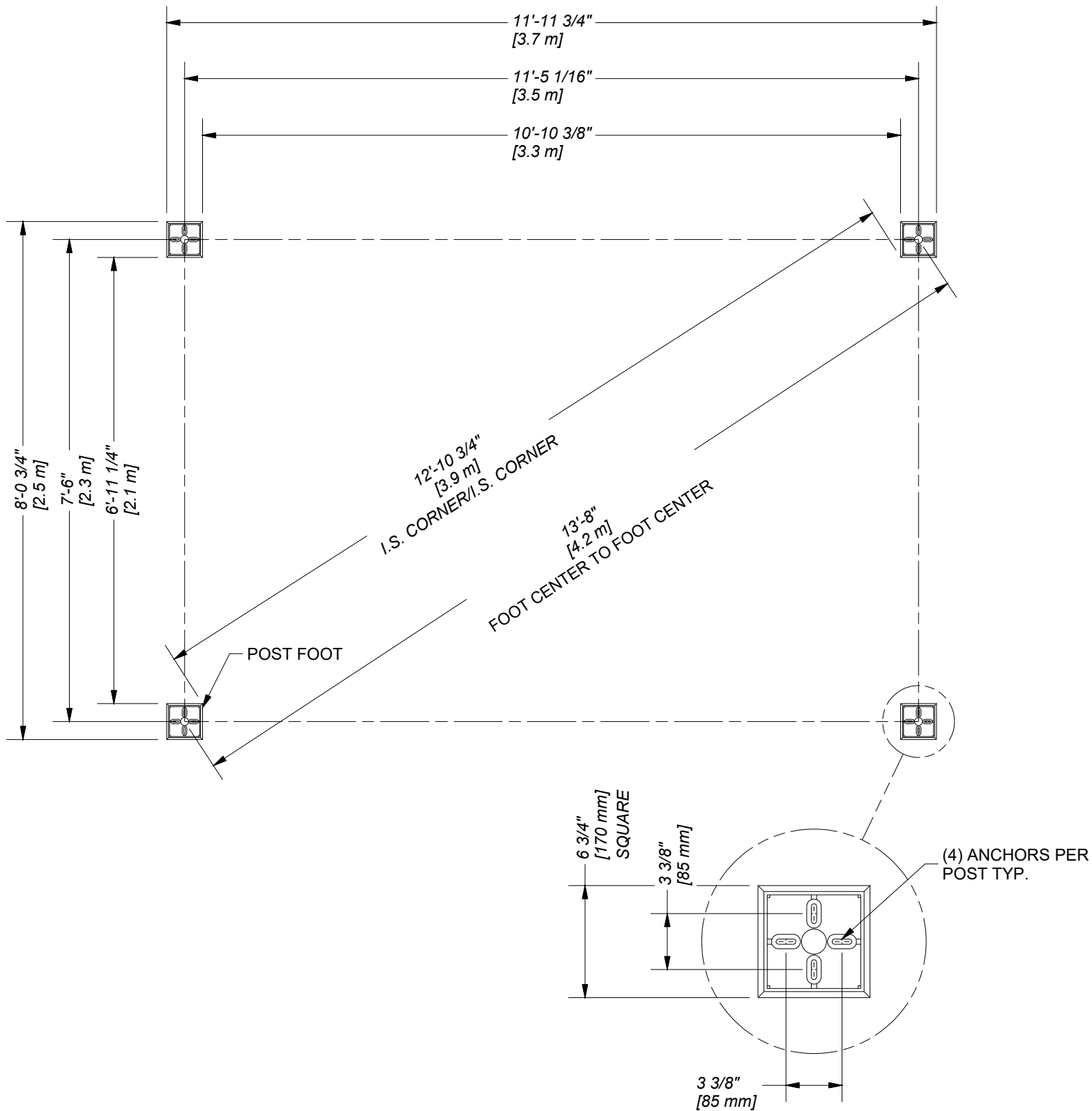
Ground Dimension

EXAMPLE: 14'-0" (4.3m) x 10'-0" (3m) x 7' 11-1/8" (2.4m)





ANCHORING LAYOUT





Wood Components (Not to Scale)



D01 | JOIST - W4L13476
(x2) | 1 3/8"x5 1/4"x95 1/4" (36x134x2420)



D02 | JOIST - W4L13485
(x2) | 1 3/8"x5 1/4"x95 1/4" (36x134x2420)



D03 | JOIST END - W4L13492
(x2) | 1 3/8"x5 1/4"x39 3/4" (36x134x1008)



D04 | JOIST END - W4L13475
(x2) | 1 3/8"x5 1/4"x39 3/4" (36x134x1008)



D05 | JOIST END - W4L13484
(x2) | 1 3/8"x5 1/4"x39 3/4" (36x134x1008)



D06 | JOIST END - W4L13491
(x2) | 1 3/8"x5 1/4"x39 3/4" (36x134x1008)



D07 | JOIST END - W4L13494
(x4) | 1 7/16"x5 1/4"x17 3/4" (36x134x451)



D08 | JOIST - W4L13479
(x2) | 1 3/8"x5 1/4"x90" (36x134x2286)



D09 | JOIST - W4L13477
(x2) | 1 3/8"x5 1/4"x90" (36x134x2286)



D10 | JOIST END - W4L13474
(x4) | 1 3/8"x5 1/4"x17 3/4" (36x134x451)



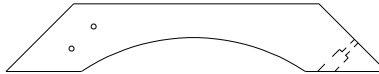
Wood Components (Not to Scale)



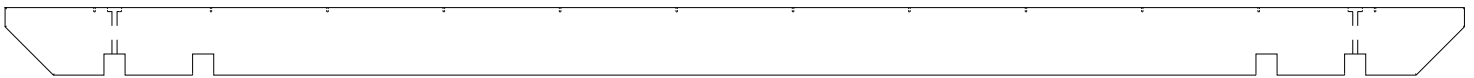
D11 | LONG ANGLE BRACE - W4L13482
(x7) | 1 3/8"x5 1/4"x37 1/8" (36x134x942)



D15 | LONG ANGLE BRACE W/TAG-W2A03347
(x1) | 1 3/8"x5 1/4"x37 1/8" (36x134x942)



D12 | SHORT ANGLE BRACE - W4L13483
(x4) | 1 3/8"x5 1/4"x29 3/4" (36x134x755)



D13 | SLOTTED JOIST - W4L13478
(x8) | 1 3/8"x5 1/4"x114" (36x134x2896)



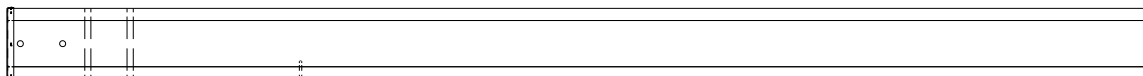
P01 | PURLIN - W4L13480
(x12) | 1 3/8"x1 3/8"x69 5/8" (36x36x1768)



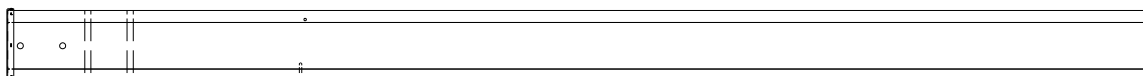
P02 | PURLIN - W4L13481
(x12) | 1 3/8"x1 3/8"x90 1/4" (36x36x2291)



Wood Components (Not to Scale)



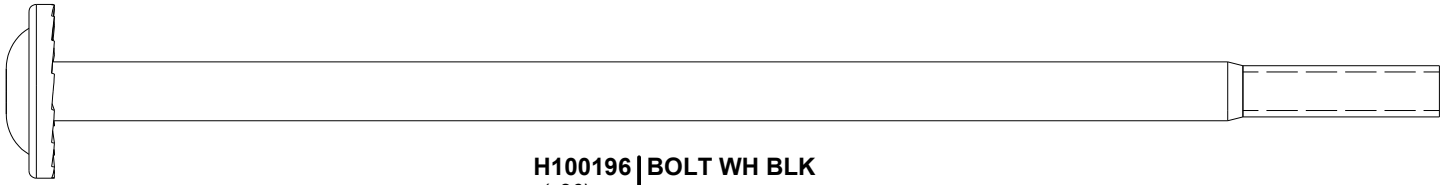
UP1 | **PERGOLA POST - W2A03006**
(x2) | 5 1/2"x5 1/2"x89 1/2" (140x140x2273)



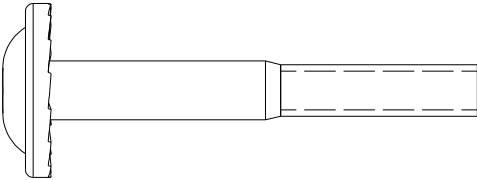
UP2 | **PERGOLA POST - W2A03008**
(x2) | 5 1/2"x5 1/2"x89 1/2" (140x140x2273)



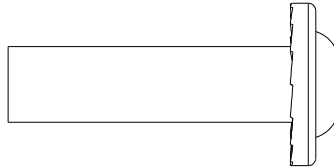
Hardware Components



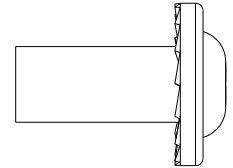
H100196 | BOLT WH BLK
(x26) | 5/16x7-1/4



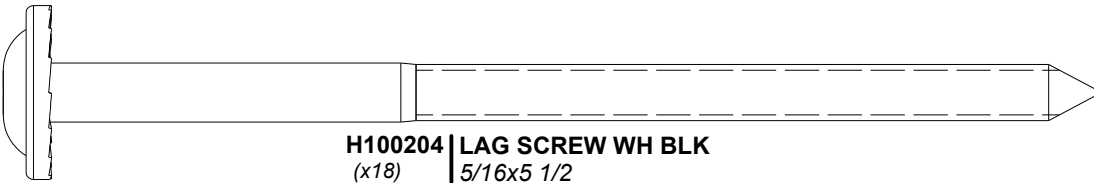
H100205 | BOLT WH BLK
(x42) | 5/16x2-1/4



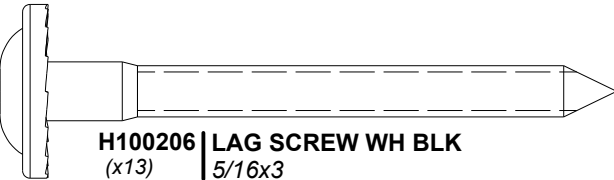
H100193 | NUT BARREL WH BLK
(x26) | 5/16x1-1/2



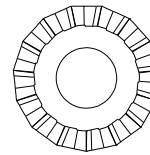
H100192 | NUT BARREL WH BLK
(x42) | 5/16x7/8



H100204 | LAG SCREW WH BLK
(x18) | 5/16x5 1/2



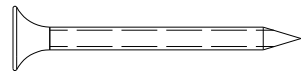
H100206 | LAG SCREW WH BLK
(x13) | 5/16x3



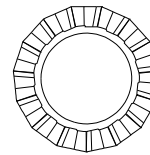
H100198 | WASHER LOCK EXT BLK
(x96) | 8x19



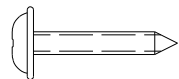
H100201 | SCREW PFH BLK
(x100) | 8x2-1/2



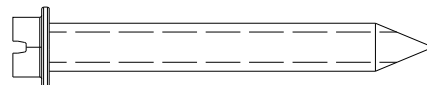
H100200 | SCREW PFH BLK
(x17) | 8x1 1/2



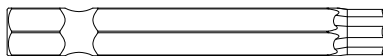
H100199 | WASHER LOCK EXT BLK
(x68) | 12x19



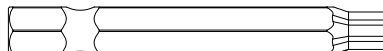
H100392 | SCREW PWH BLK
(x2) | 8x3/4



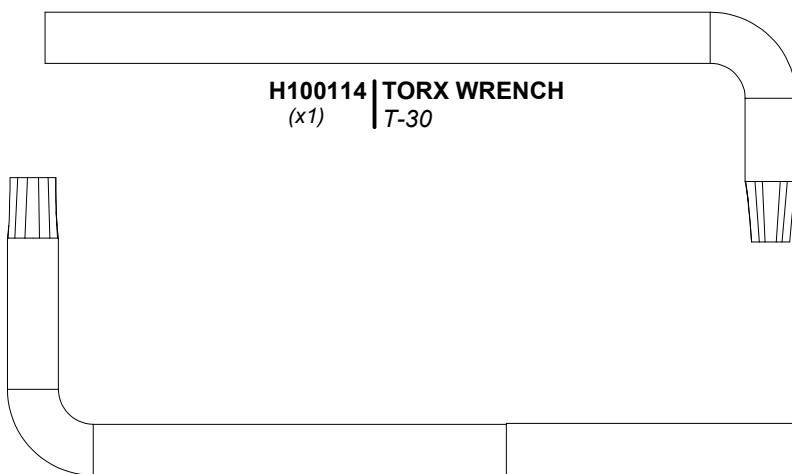
H100120 | SCREW CONCRETE ANCHOR
(x18) | 1/4x2



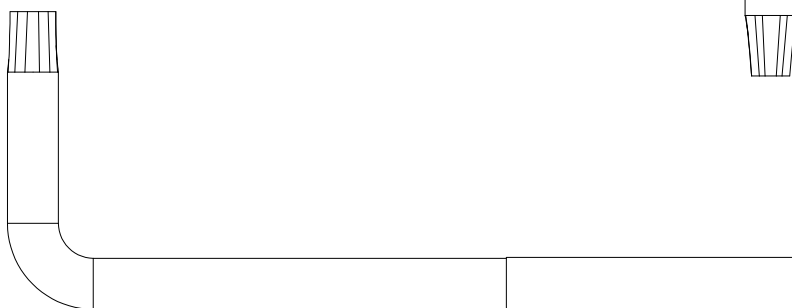
A100042 | TORX BIT
(x1) | T-40



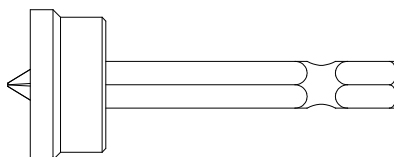
H100147 | TORX BIT
(x1) | T-30



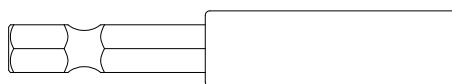
H100114 | TORX WRENCH
(x1) | T-30



A100041 | TORX WRENCH
(x1) | T-40



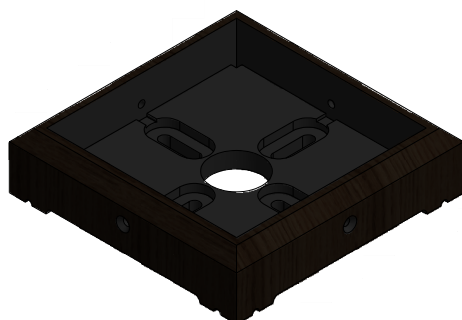
H100764 | SCREW SETTER
(x1)



H101100 | MAGNETIC DRIVER
(x1)



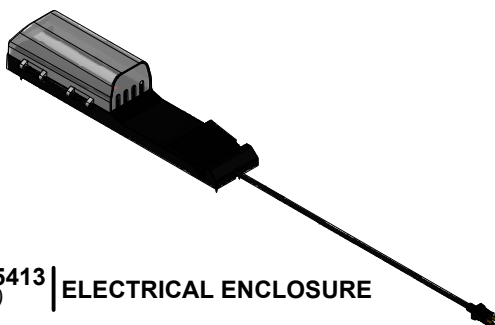
Accessory Components (Not to Scale)



A100029
(x4) | FOOT 142 SQUARE POST



A100241
(x1) | BYD ID TAG (SMALL) WITHOUT AGES



9205413
(x1) | ELECTRICAL ENCLOSURE

PRE-ASSEMBLY STEP 1 - SORTING PARTS

It is critical for ease of assembly that you take the time to sort and organize the wood and hardware.

WOOD PARTS:

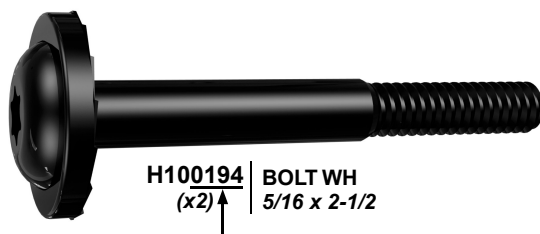
- Organize wood parts by the three-digit, alpha-numeric number stamped on each board (ex. P01).
- If there are multiple boards with the same stamped number, stack those pieces together.
- Stamps can be found on the flat surface of the boards or on the end of the boards.
- Allow yourself plenty of room - the wood pieces can take up a significant amount of space.

NOTE: CARTONS ARE NOT ORGANIZED BY BOARD NUMBER.



HARDWARE PARTS:

- We recommend that you have a separate table to organize the hardware.
- Hardware bags are printed with a seven-digit, alpha-numeric part number.
- You can organize your hardware by part number or group by hardware type (i.e. bolts, nuts, etc.).
- During assembly you only need to reference the last four digits of the number.



PRE-ASSEMBLY STEP 2 - TOOLS REQUIRED



Cordless Drill or Electric Drill



Drill Attachments:
Phillips Head



1/8", 3/16", 3/8" & 7/16" Drill Bits



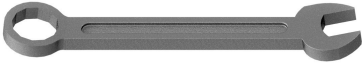
Phillips Screw Driver



Tape Measure



Claw Hammer



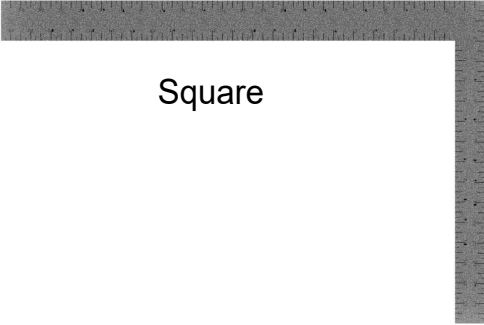
Open End Wrenches 1/2" & 7/16"



3/8" Drive Ratchet, 1/2" & 7/16" STD Sockets, 1/2" & 7/16" Deep Sockets



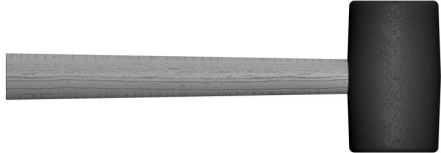
3/8 & 5/16" Nut Drivers



Square



Level 24"



Rubber Mallet - Optional

PRE-ASSEMBLY STEP 3 - CHOOSE YOUR ASSEMBLY METHOD

There are several types of assembly instructions available to you.

1. Printed Assembly Manual included with your set
2. BILT APP - 3D interactive instructions
3. Combination of the Printed Manual and BILT APP (Note: Step numbers can differ between the two methods)





STEP 1

D07 | JOIST END - W4L13494
(x4) | 1 7/16"x5 1/4"x17 3/4" (36x134x451)

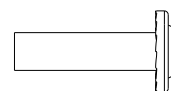
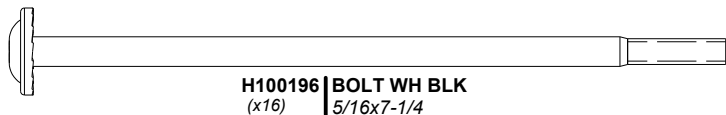
UP1 | PERGOLA POST - W2A03006
(x2) | 5 1/2"x5 1/2"x89 1/2" (140x140x2273)

D09 | JOIST - W4L13477
(x2) | 1 3/8"x5 1/4"x90" (36x134x2286)

D10 | JOIST END - W4L13474
(x4) | 1 3/8"x5 1/4"x17 3/4" (36x134x451)

UP2 | PERGOLA POST - W2A03008
(x2) | 5 1/2"x5 1/2"x89 1/2" (140x140x2273)

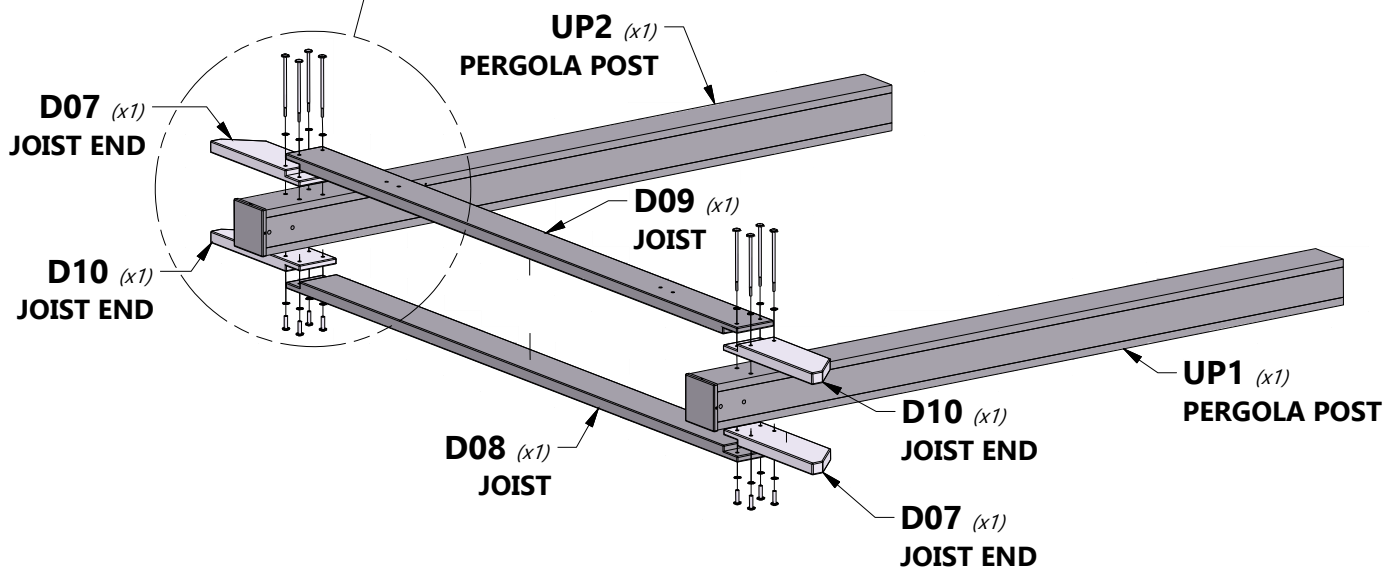
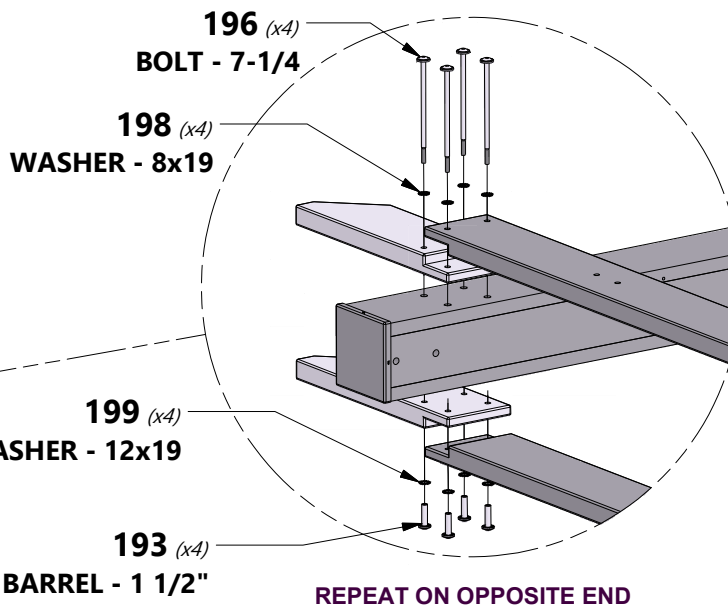
D08 | JOIST - W4L13479
(x2) | 1 3/8"x5 1/4"x90" (36x134x2286)

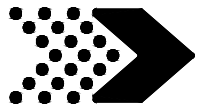


LAY PARTS ON GROUND OR SAW HORSES FOR EASE OF ASSEMBLY.

1. REPEAT THIS STEP TWICE FOR OTHER SIDE.

2. ASSEMBLE AS SHOWN USING THE PRE-DRILLED HOLES IN POSTS.

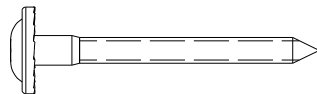




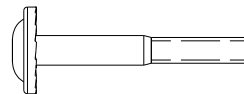
STEP 2



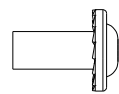
D12 | SHORT ANGLE BRACE - W4L13483
(x2) | 1 3/8"x5 1/4"x29 3/4" (36x134x755)



H100206 | LAG SCREW WH BLK
(x4) | 5/16x3



H100205 | BOLT WH BLK
(x8) | 5/16x2-1/4



H100192 | NUT BARREL WH BLK
(x8) | 5/16x7/8



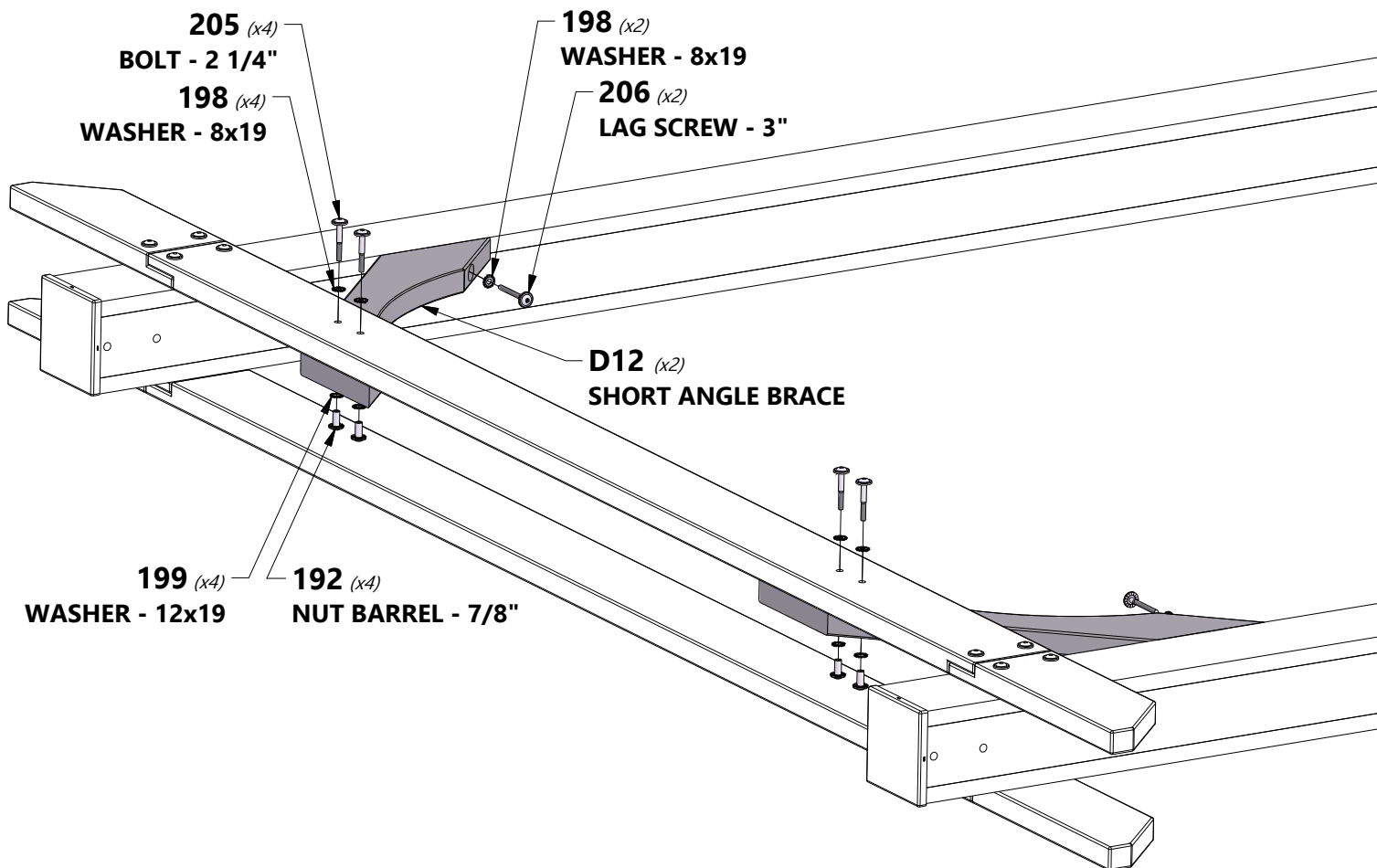
H100198 | WASHER LOCK EXT BLK
(x12) | 8x19



H100199 | WASHER LOCK EXT BLK
(x8) | 12x19

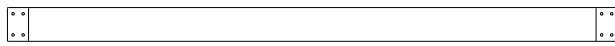
1. REPEAT THIS STEP TWICE FOR OTHER SIDE.

2. ASSEMBLE AS SHOWN USING THE PRE-DRILLED PILOT HOLES IN POSTS.

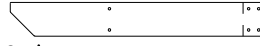




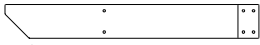
STEP 3



D02 | JOIST - W4L13485
(x2) | 1 3/8"x5 1/4"x95 1/4" (36x134x2420)



D05 | JOIST END - W4L13484
(x2) | 1 3/8"x5 1/4"x39 3/4" (36x134x1008)



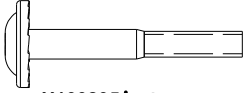
D03 | JOIST END - W4L13492
(x2) | 1 3/8"x5 1/4"x39 3/4" (36x134x1008)



D11 | LONG ANGLE BRACE - W4L13482
(x3) | 1 3/8"x5 1/4"x37 1/8" (36x134x942)



D15 | LONG ANGLE BRACE W/TAG-W2A03347
(x1) | 1 3/8"x5 1/4"x37 1/8" (36x134x942)



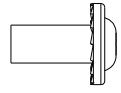
H100205 | BOLT WH BLK
(x16) | 5/16x2-1/4



H100198 | WASHER LOCK EXT BLK
(x16) | 8x19



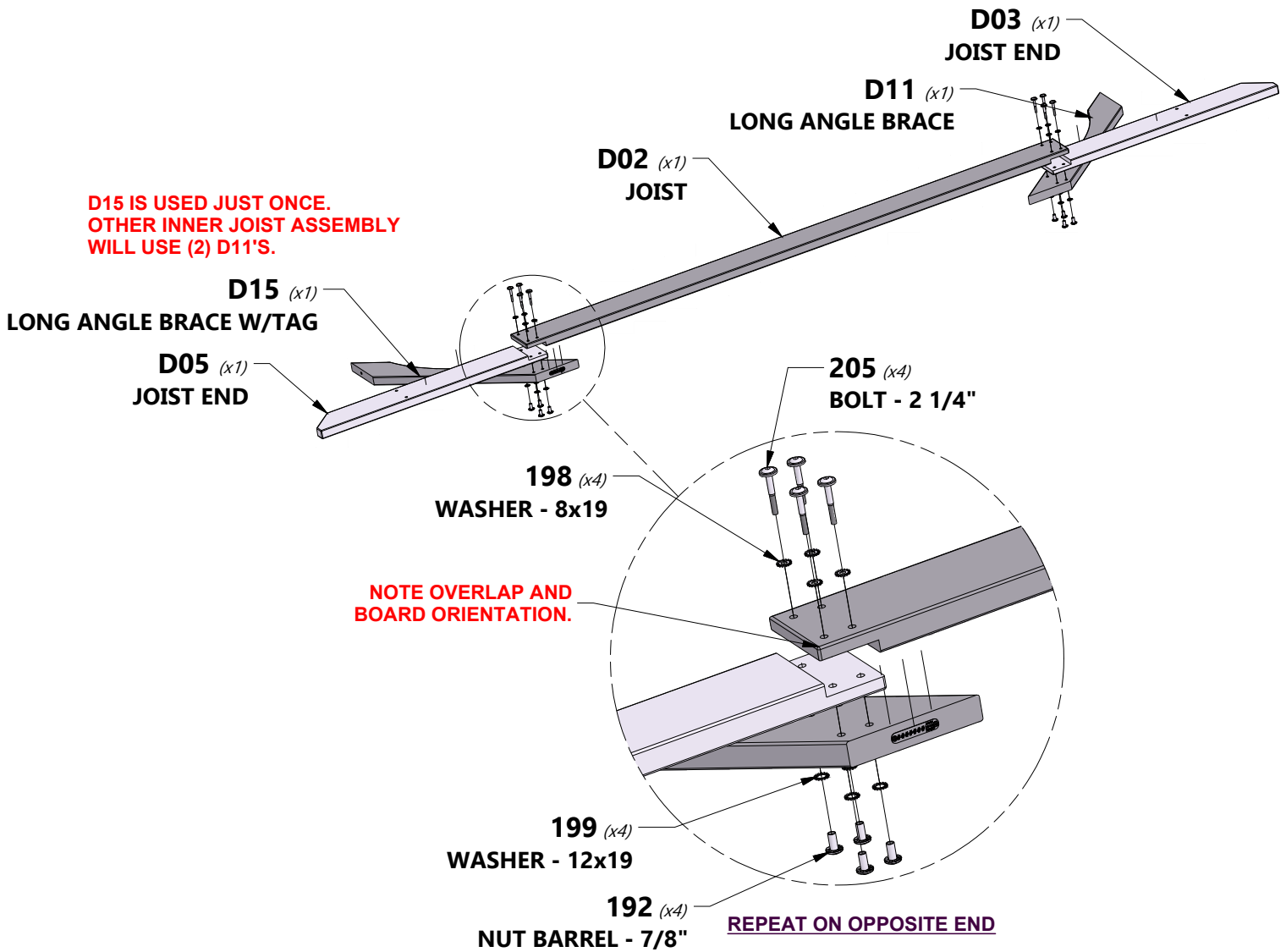
H100199 | WASHER LOCK EXT BLK
(x16) | 12x19



H100192 | NUT BARREL WH BLK
(x16) | 5/16x7/8

**REPEAT STEP TO COMPLETE TWO
INNER JOIST ASSEMBLIES.**

**D15 IS USED JUST ONCE.
OTHER INNER JOIST ASSEMBLY
WILL USE (2) D11'S.**





STEP 4



D01 | JOIST - W4L13476
(x2) | 1 3/8"x5 1/4"x95 1/4" (36x134x2420)



D04 | JOIST END - W4L13475
(x2) | 1 3/8"x5 1/4"x39 3/4" (36x134x1008)



D06 | JOIST END - W4L13491
(x2) | 1 3/8"x5 1/4"x39 3/4" (36x134x1008)



D11 | LONG ANGLE BRACE - W4L13482
(x4) | 1 3/8"x5 1/4"x37 1/8" (36x134x942)



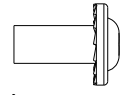
H100205 | BOLT WH BLK
(x16) | 5/16x2-1/4



H100198 | WASHER LOCK EXT BLK
(x16) | 8x19

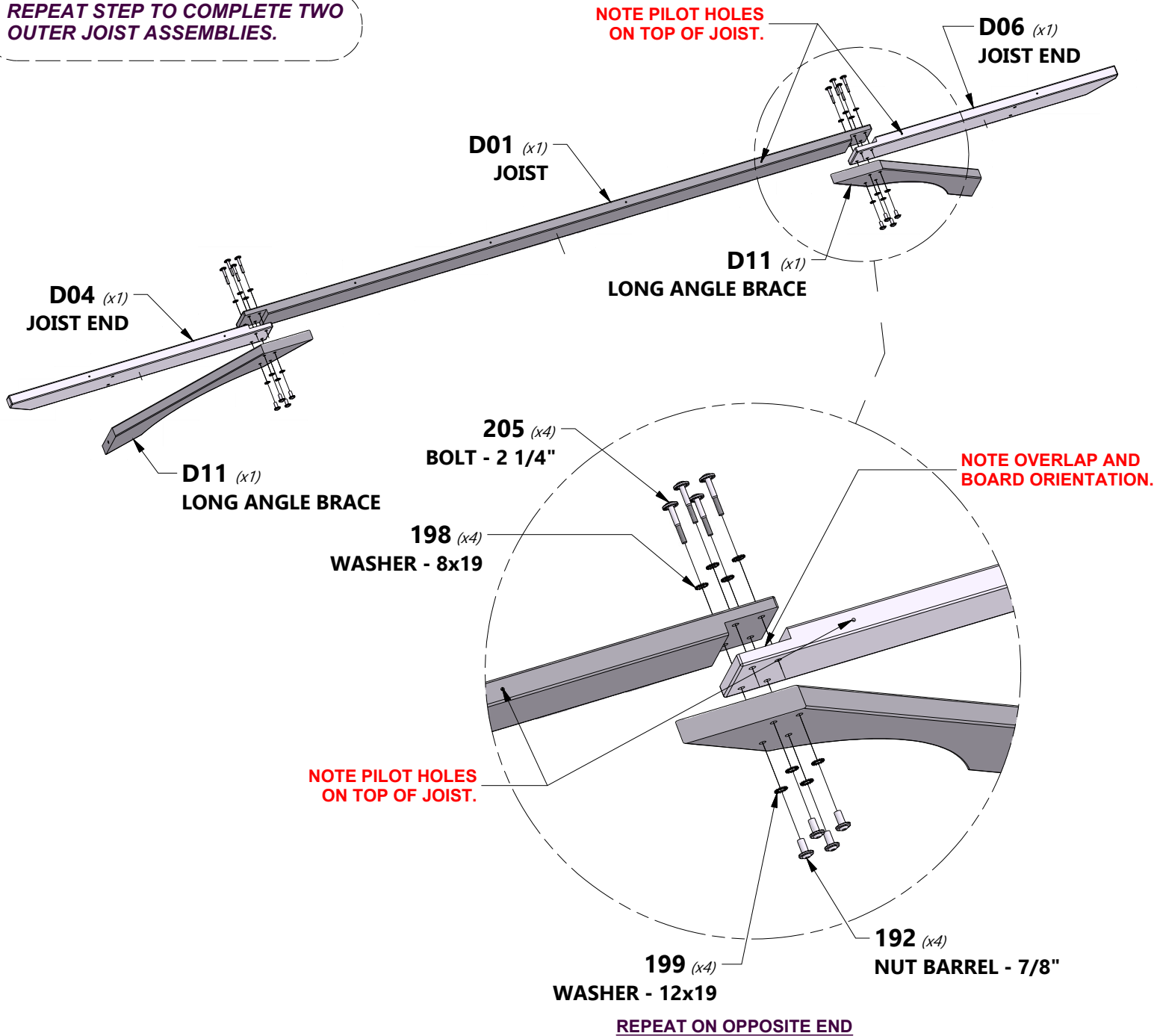


H100199 | WASHER LOCK EXT BLK
(x16) | 12x19



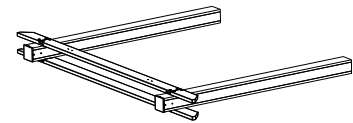
H100192 | NUT BARREL WH BLK
(x16) | 5/16x7/8

REPEAT STEP TO COMPLETE TWO OUTER JOIST ASSEMBLIES.

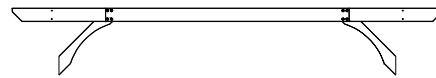




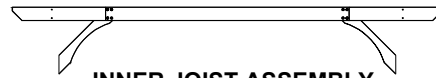
STEP 5



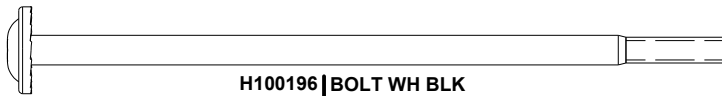
(x2) UPRIGHT ASSEMBLY FROM PREVIOUS STEPS



(x2) OUTER JOIST ASSEMBLY FROM PREVIOUS STEPS



(x2) INNER JOIST ASSEMBLY FROM PREVIOUS STEPS



H100196 | BOLT WH BLK (x8) 5/16x7-1/4



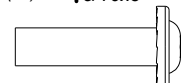
H100206 | LAG SCREW WH BLK (x8) 5/16x3



H100198 | WASHER LOCK EXT BLK (x16) 8x19

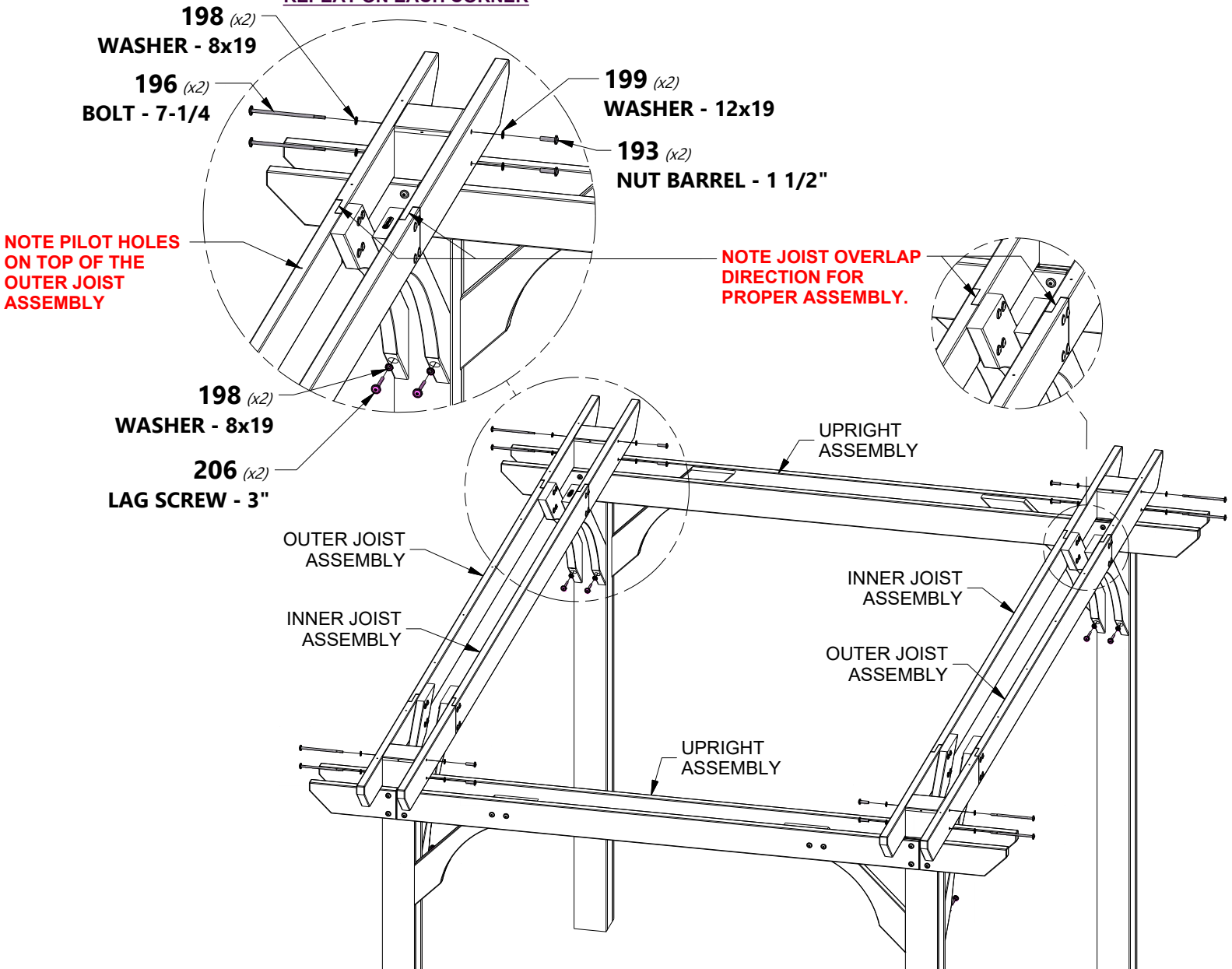


H100199 | WASHER LOCK EXT BLK (x8) 12x19



H100193 | NUT BARREL WH BLK (x8) 5/16x1-1/2

REPEAT ON EACH CORNER





STEP 6



D13 | SLOTTED JOIST - W4L13478
(x8) | 1 3/8"x5 1/4"x114" (36x134x2896)



H100204 | LAG SCREW WH BLK
(x16) | 5/16x5 1/2



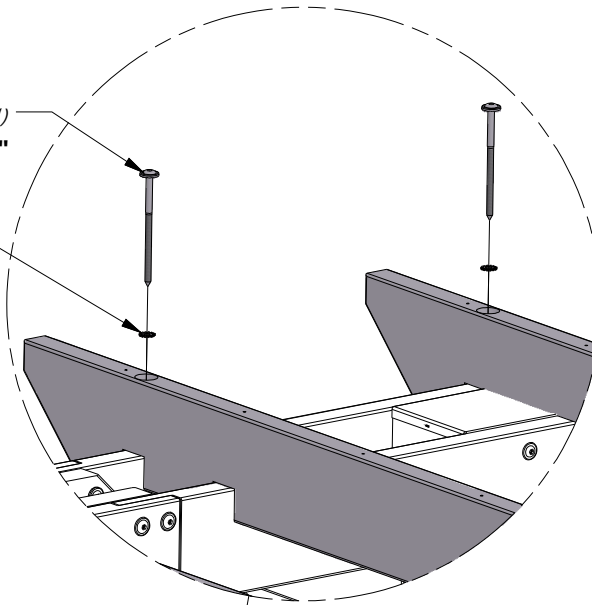
H100198 | WASHER LOCK EXT BLK
(x16) | 8x19

LOCATE AND USE PILOT HOLES IN THE OUTER JOISTS TO MOUNT D13 BOARDS AS SHOWN.

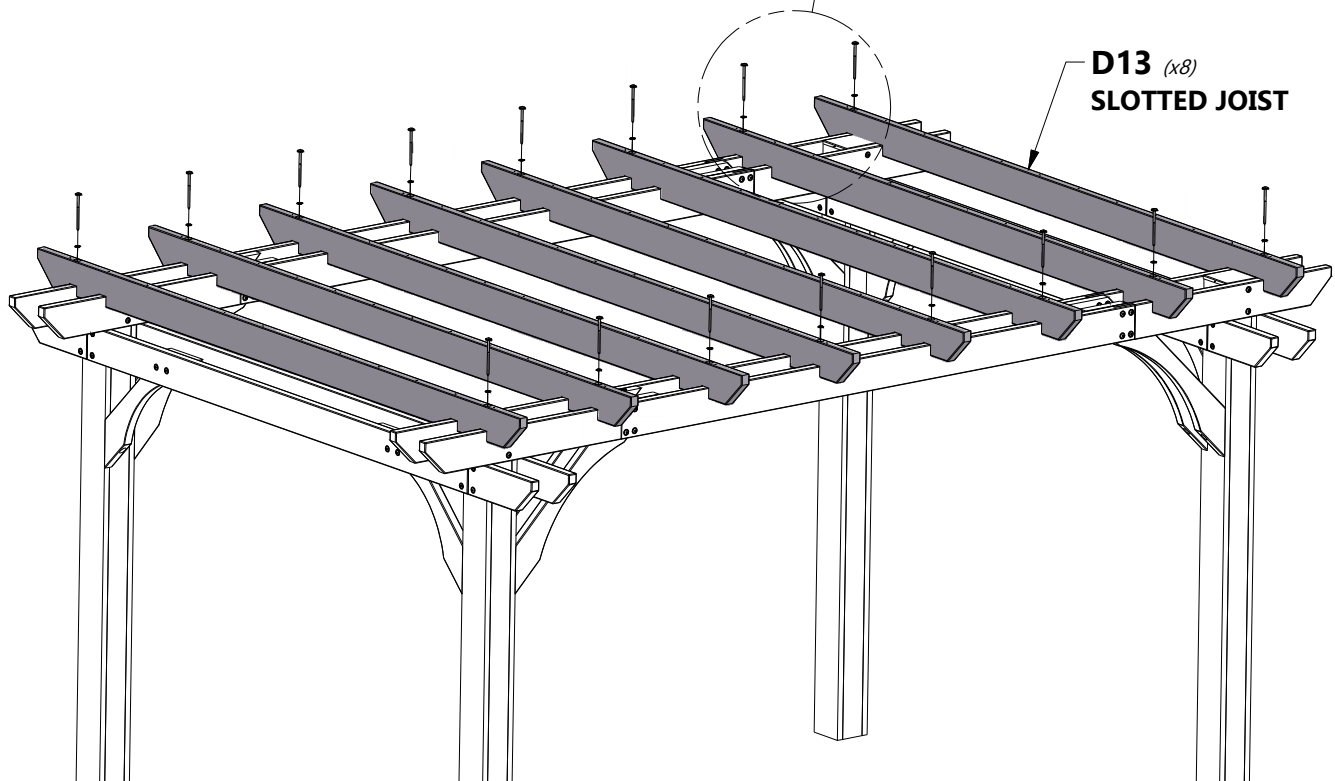
REPEAT ON OPPOSITE END AND ON ALL JOISTS

204 (x1)
LAG SCREW - 5 1/2"

198 (x1)
WASHER - 8x19



D13 (x8)
SLOTTED JOIST




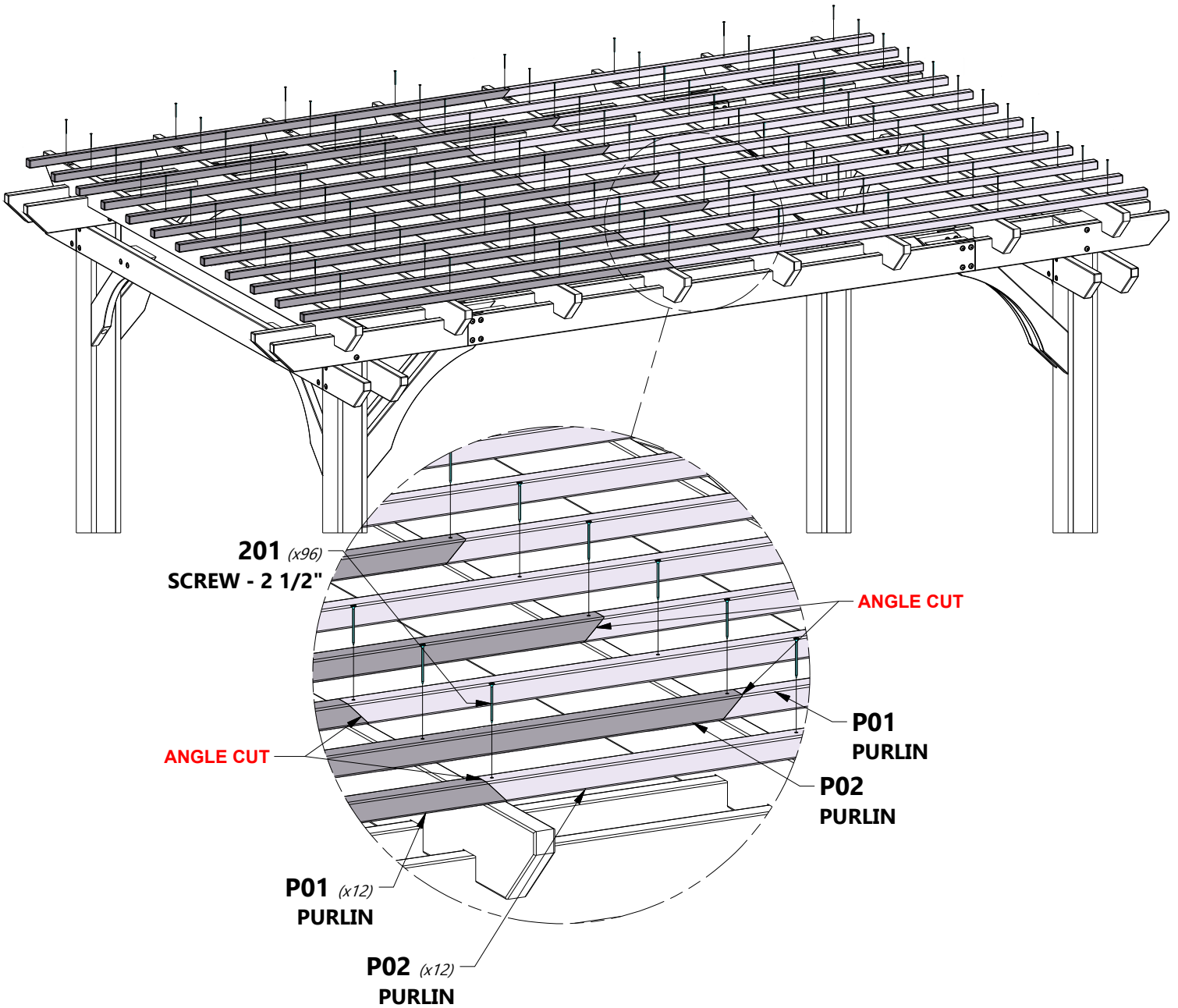


STEP 7

P01 | PURLIN - W4L13480
(x12) | 1 3/8"x1 3/8"x69 5/8" (36x36x1768)

P02 | PURLIN - W4L13481
(x12) | 1 3/8"x1 3/8"x90 1/4" (36x36x2291)

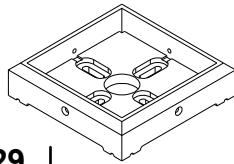

H100201 | SCREW PFH BLK
(x96) | 8x2-1/2



ASSEMBLE P01 & P02 BOARDS BY ALTERNATING THEM AS YOU WORK ACROSS THE JOIST BOARDS. AS SHOWN THE ANGLE CUT IN THE P01 & P02 BOARDS SHOULD ALTERNATE WHICH JOIST THEY LAND ON WHEN ASSEMBLED.



STEP 8

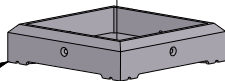
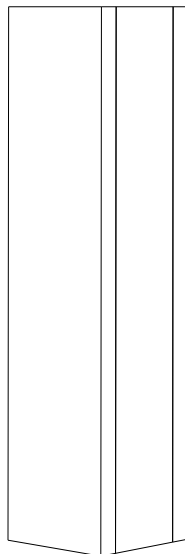


A100029
(x4)

FOOT 142 SQUARE POST

DECIDE WHERE TO PLACE THE PERGOLA. NOTE THIS MOUNTING PROCEDURE IS MEANT TO BE USED ON CONCRETE ONLY.

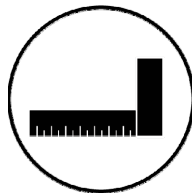
PLACE THE PERGOLA EXACTLY WHERE IT WILL BE ANCHORED WHEN COMPLETED AND SLIDE A FOOT UNDER EACH POST.



029 (x1)

FOOT 142 SQUARE POST

REPEAT ON ALL POSTS

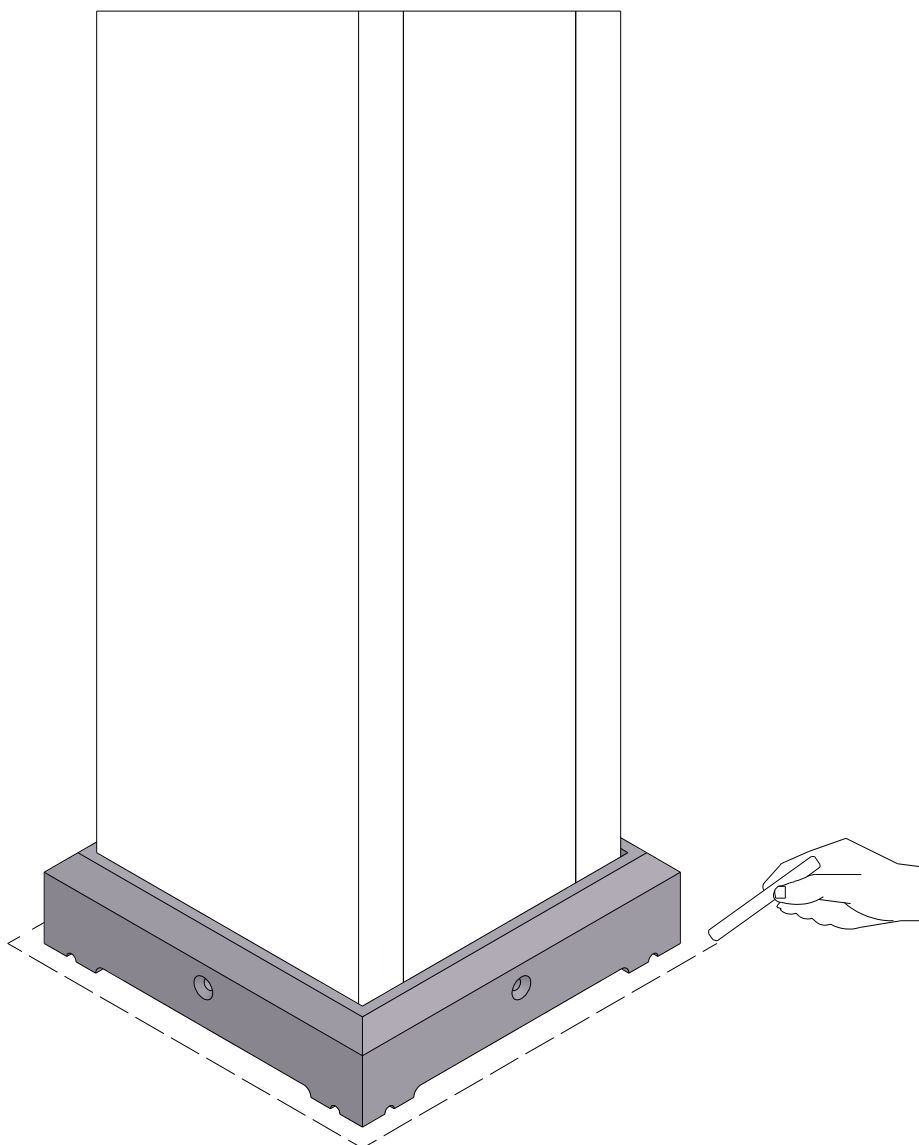


**SQUARE POSTS AND
TIGHTEN ALL BOLTS AND
SCREWS AT THIS TIME.**



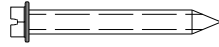
STEP 9

USE CHALK TO TRACE AROUND THE EDGES OF EACH FOOT TO MARK THE FEET LOCATIONS.





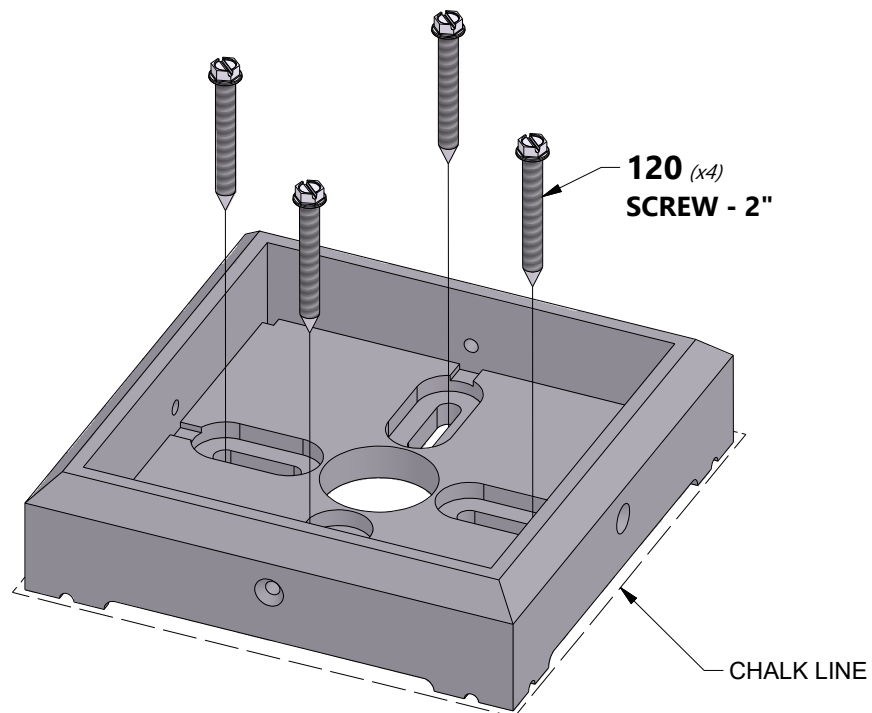
STEP 10



H100120 | SCREW CONCRETE ANCHOR
(x16) | 1/4x2

MOVE THE PERGOLA ASIDE AND PLACE EACH FOOT INSIDE THE LINES DRAWN IN THE PREVIOUS STEP. NOW, USE A 3/16" CONCRETE DRILL BIT TO DRILL PILOT HOLES INTO THE CONCRETE PAD.

NEXT, USE THE PROVIDED CONCRETE ANCHORS TO ATTACH EACH FOOT TO THE CONCRETE SURFACE.



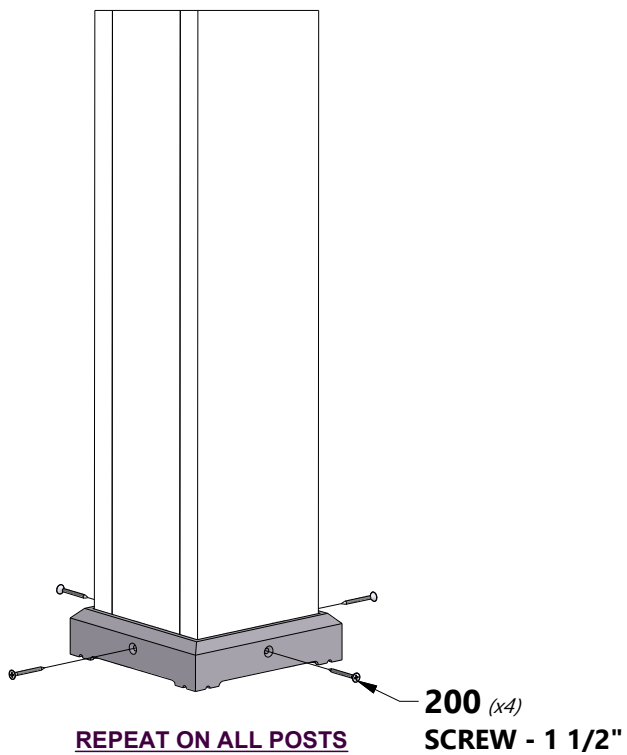


STEP 11



H100200 | SCREW PFH BLK
(x16) | 8x1 1/2

MOVE THE PERGOLA BACK INTO PLACE,
SETTING EACH POST INSIDE A FOOT AND
MOUNT AS SHOWN USING THE PROVIDED
HARDWARE.





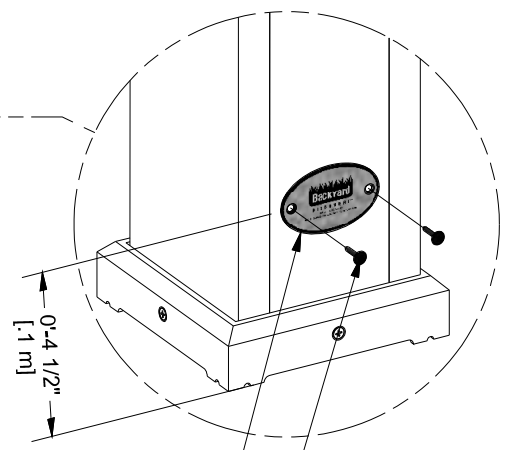
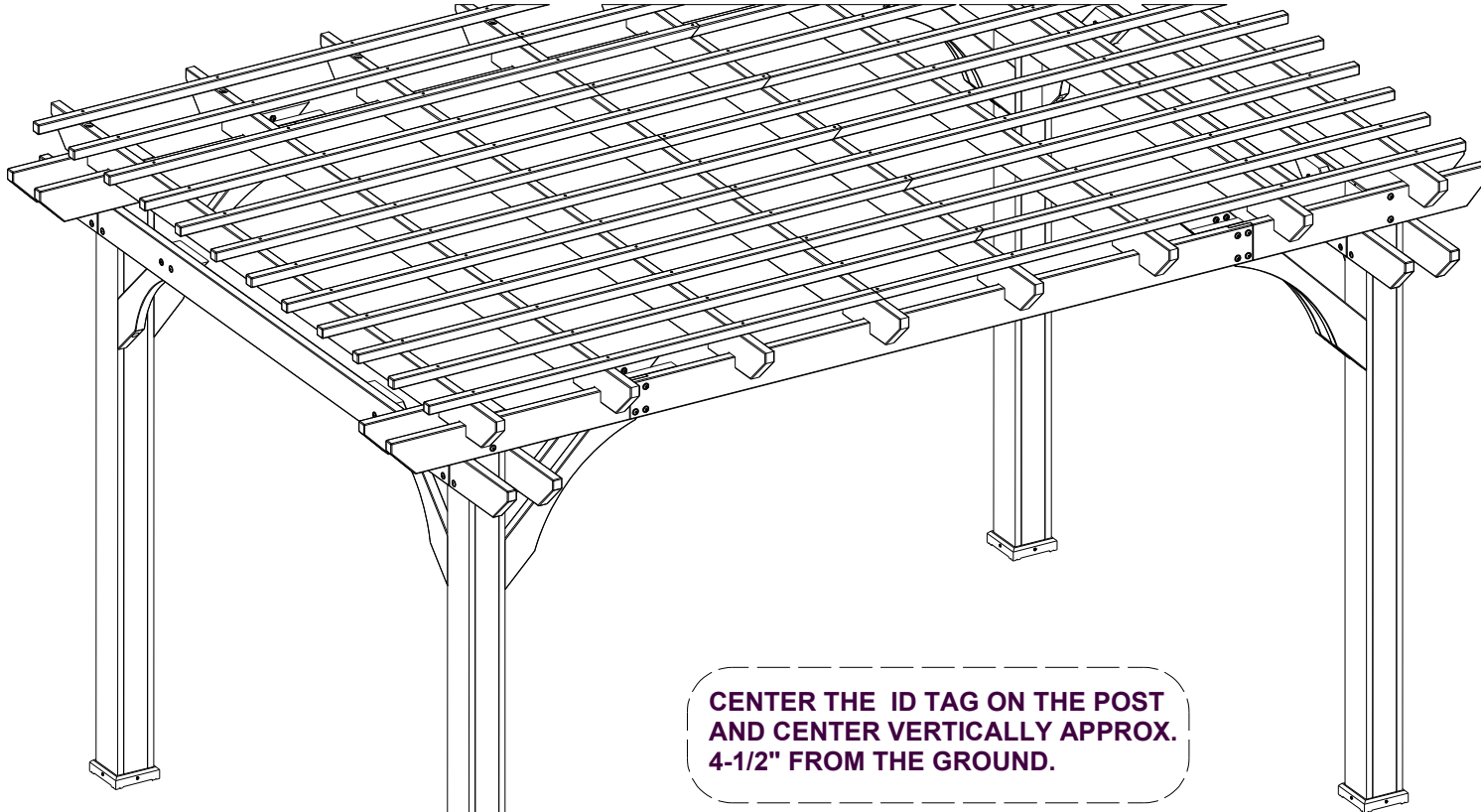
STEP 12



A100241 | BYD ID TAG (SMALL) WITHOUT AGES
(x1)

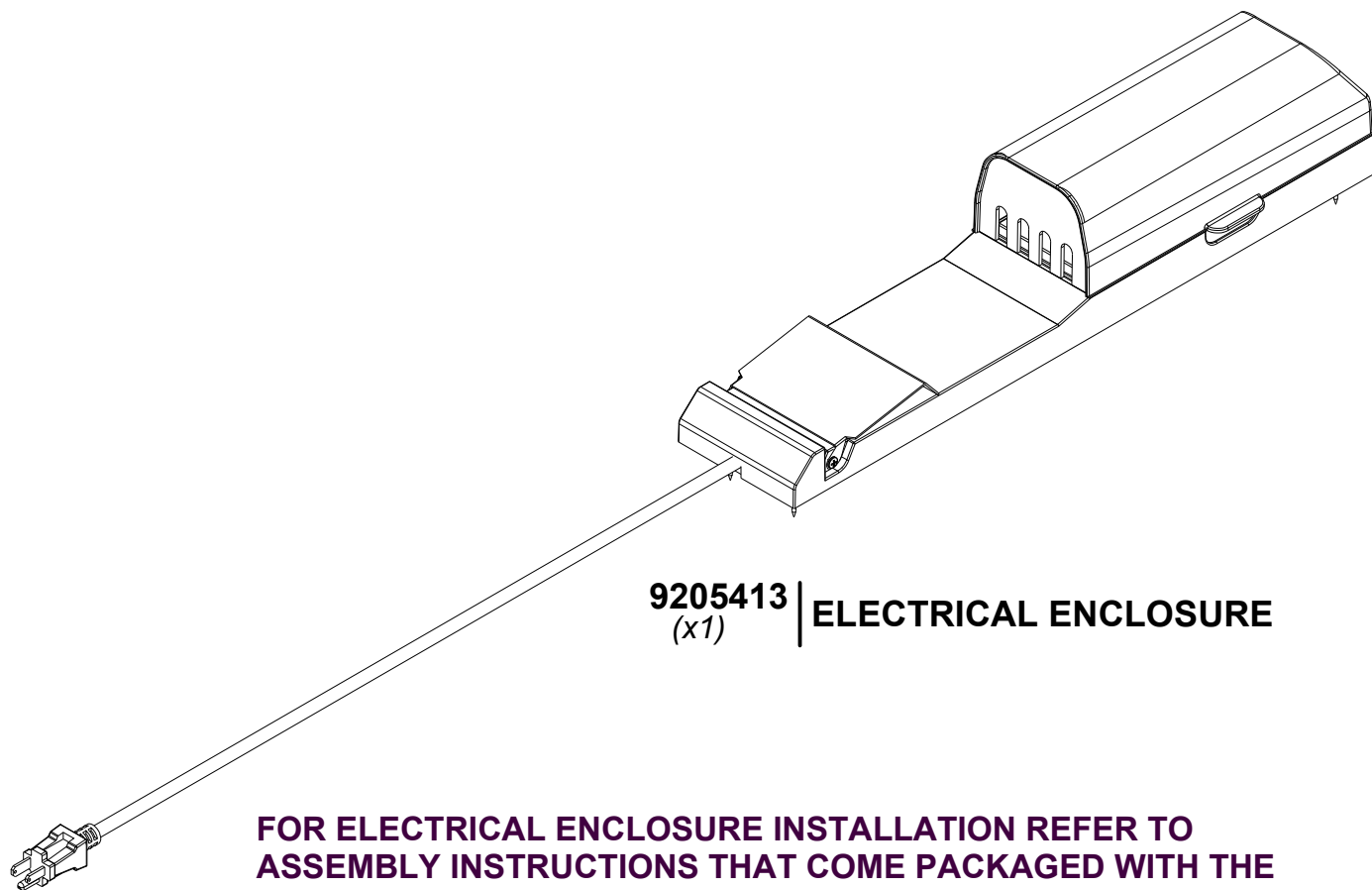
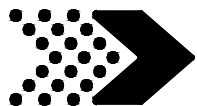


H100392 | SCREW PWH BLK
(x2) | 8x3/4



241 (x1)
BYD ID TAG (SMALL) WITHOUT AGES

392 (x2)
SCREW - 3/4"



9205413 | ELECTRICAL ENCLOSURE
(x1)

FOR ELECTRICAL ENCLOSURE INSTALLATION REFER TO ASSEMBLY INSTRUCTIONS THAT COME PACKAGED WITH THE ELECTRICAL ENCLOSURE KIT. INSTALL ON ANY POST THAT IS DESIRED. FOLLOW DIRECTIONS FOR PROPER INSTALLATION.