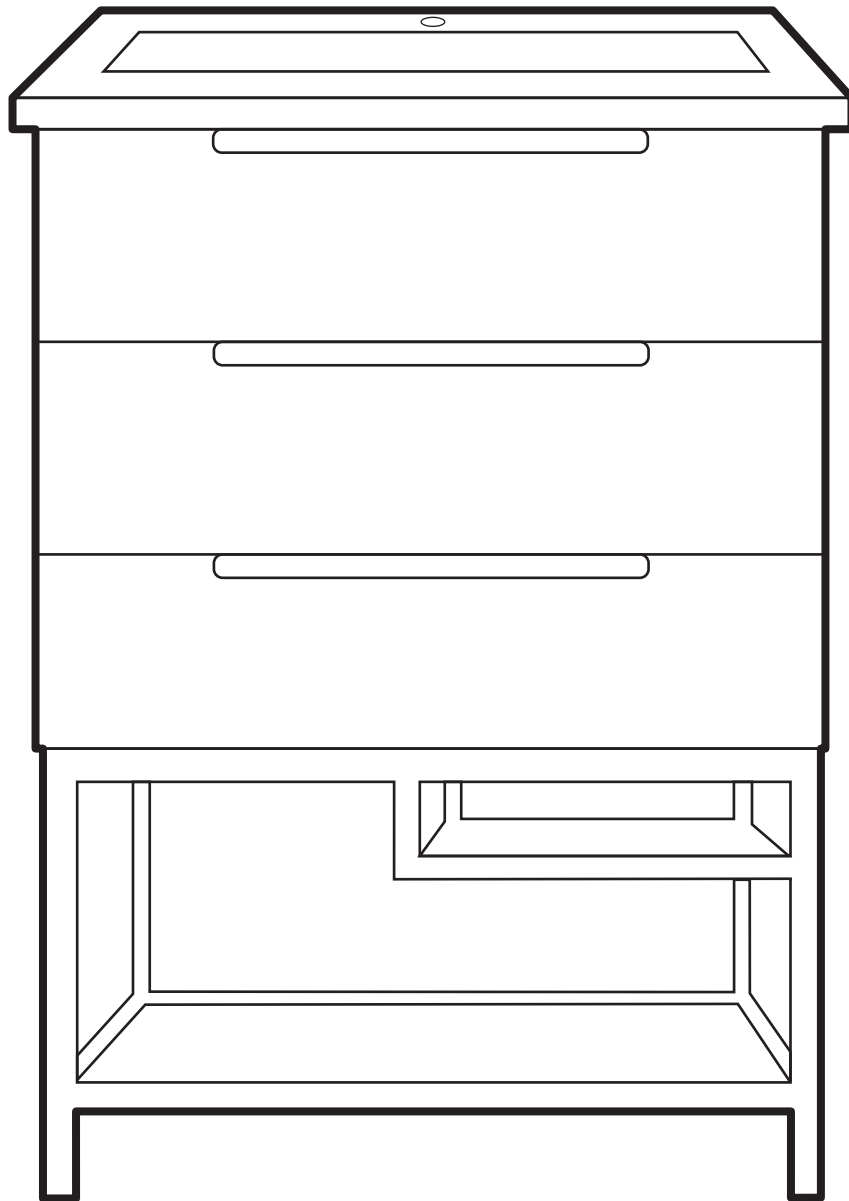


Freestanding Vanity

INSTALLATION INSTRUCTIONS





PRIOR TO INSTALLATION:

- Inspect product to ensure no damages have occurred while in shipping.
- Observe all plumbing and building codes in accordance with your state and local requirements.
- Floor must be level prior to installation of vanity.
- All dimensions are nominal! Be sure to measure your vanity prior to installation.
- The step-by-step guidelines in the installation instructions are a general reference. Should there be any discrepancies, Swiss Madison cannot be held liable. It is recommended to install all Swiss Madison products by hiring a licensed professional.
- Read installation and maintenance instructions thoroughly before installing. Be sure to use proper tools and always wear proper personal safety accessories for your protection.

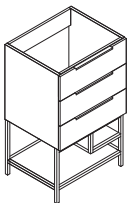
QUESTIONS OR CONCERNS?

Please contact us:

1-434-623-4766

info@swissmadison.com

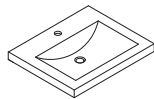
INCLUDED PARTS:



Vanity Base



Hardware

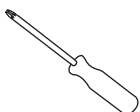


Vanity Sink

SUGGESTED TOOLS & MATERIALS:



Safety Glasses



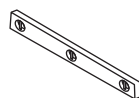
Screwdrivers



Silicone



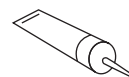
Drop Cloth



Level



Gloves



Adhesive

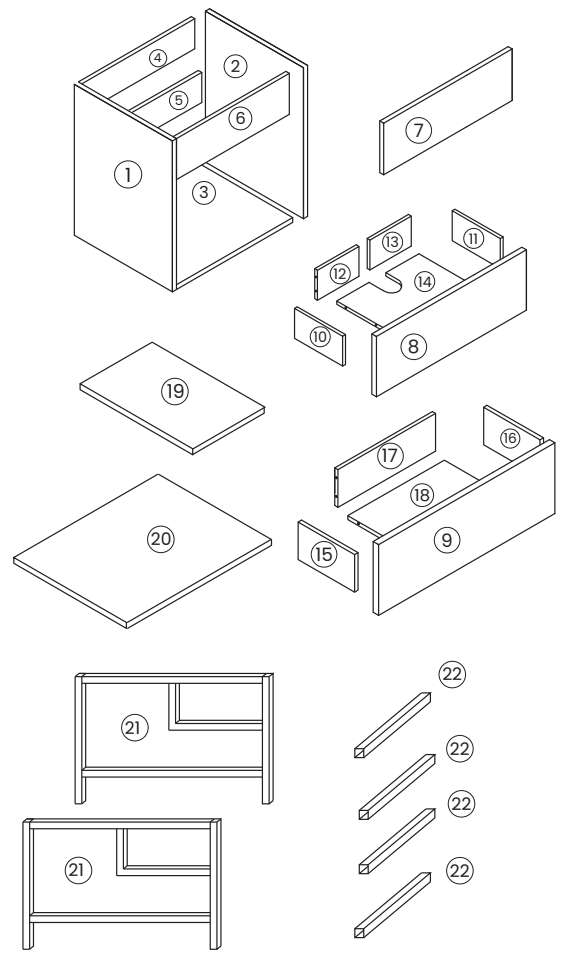
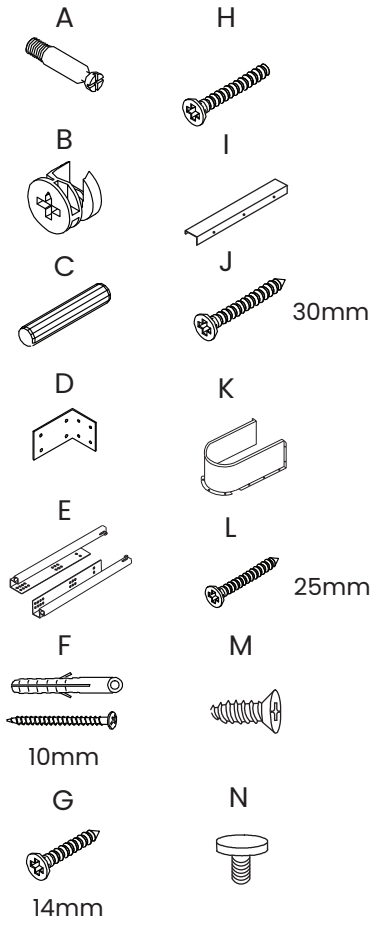


Drill

Parts for Reference:

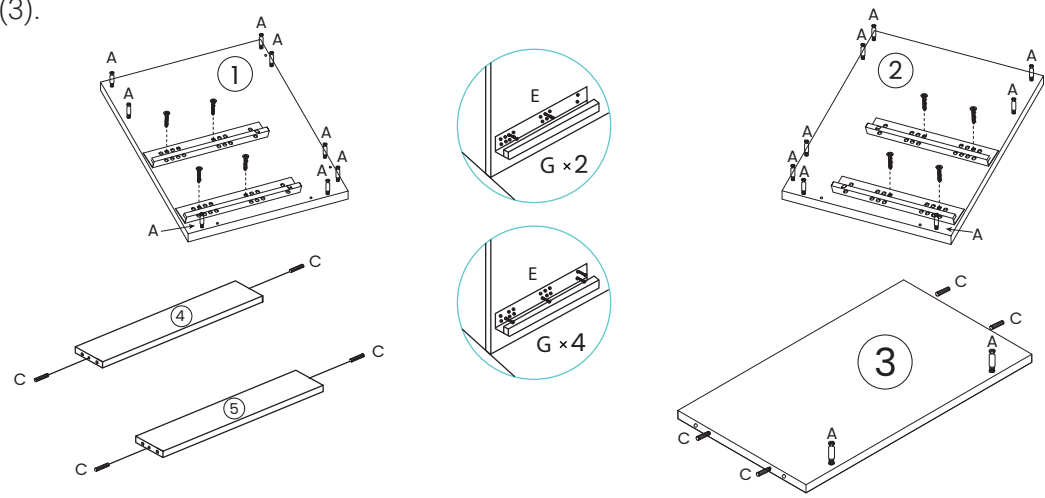
1. Left side panel
2. Right side panel
3. Base panel
4. Rear top bar
5. Rear bottom bar
6. Front top bar
7. Faux drawer panel
8. Drawer A - front panel
9. Drawer B - front panel
10. Drawer A - left panel
11. Drawer A - right panel
12. Left back panel
13. Right back panel
14. Drawer A - base panel
15. Drawer B - left panel
16. Drawer B - right panel
17. Drawer B - back panel
18. Drawer B - base panel
19. Small shelf
20. Large shelf
21. Frame Side Panels
22. Frame Connectors

- A. Cam bolts
- B. Cam locks
- C. Wooden dowels
- D. Metal bracket
- E. Drawer slides
- F. Screw & Plastic Anchor
- G. Screws
- H. Screws
- I. Drawer handles
- J. Screws
- K. Inner drawer channel
- L. Screws
- M. Screws
- N. Leveling Feet



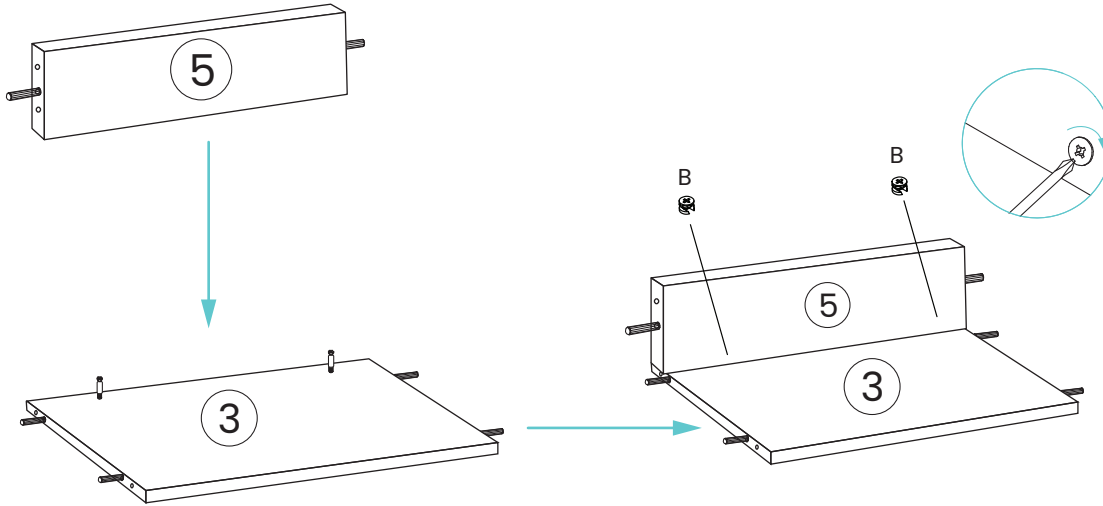
1 Prepare Cabinet Panels

- Insert 8 cam bolts (A) into the left side panel (1) as shown.
- Select a drawer slide (E) and line it up with the predrilled holes on the left side panel (1) as shown. Attach with 2 screws (G). Use an additional 4 screws (G) and an electric drill to secure the drawer slide (E) into place. Repeat this step for the second drawer slide (E).
- Repeat all of the above steps to the right side panel (2).
- Insert a wooden dowel (C) into each side of the rear top bar (4) and the rear bottom bar (5) as shown.
- Insert 2 wooden dowels (C) per side of the base panel (3). Screw 2 cam bolts (A) into the base panel (3).



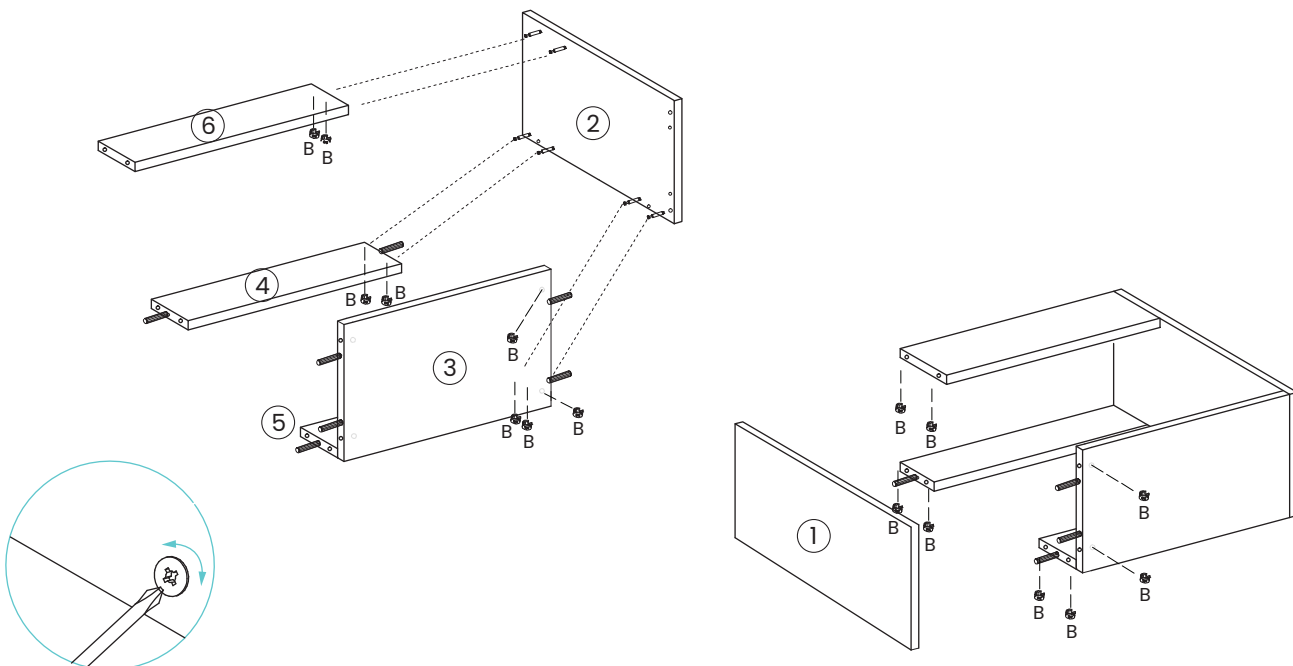
2 Assemble Base

- Connect the rear bottom bar (5) to the base panel (3) as shown.
- Use 2 cam locks (B) to secure into place as shown.



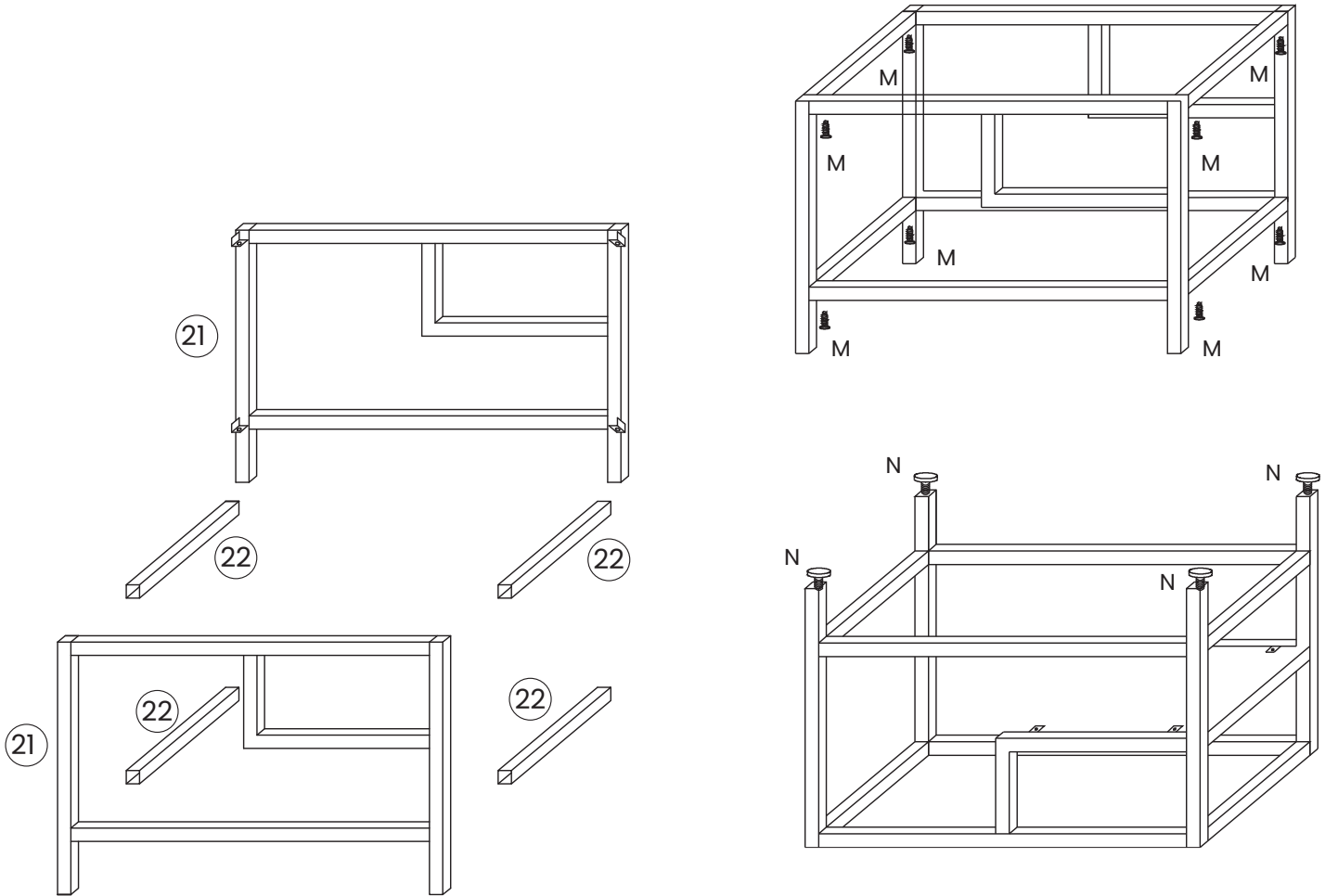
3 Assemble Cabinet Body

- Attach the rear top bar (4) and the front top bar (6) to the right side panel (2) as shown. Secure in place using 2 cam locks (B) each.
- Attach the base (3/5) to the right side panel (2) using 2 cam locks (B) to secure.
- Repeat the above steps to attach and secure the left side panel (1) to the cabinet body.



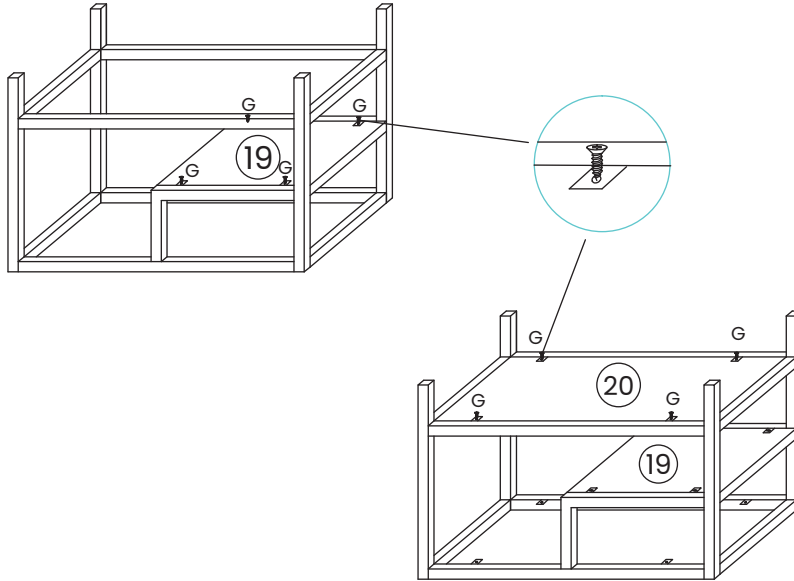
4 Assemble Cabinet Frame

- Align a frame side panel (21) with 4 frame connectors (22) as shown in the drawing below. Attach the remaining frame side panel (21) as well.
- Insert and tighten 8 screws (M) into place as shown in the drawing to secure the frame
- Flip the frame over so the bottom of the legs are exposed. Screw 4 leveling feet (N) into the legs as shown in the drawing below.



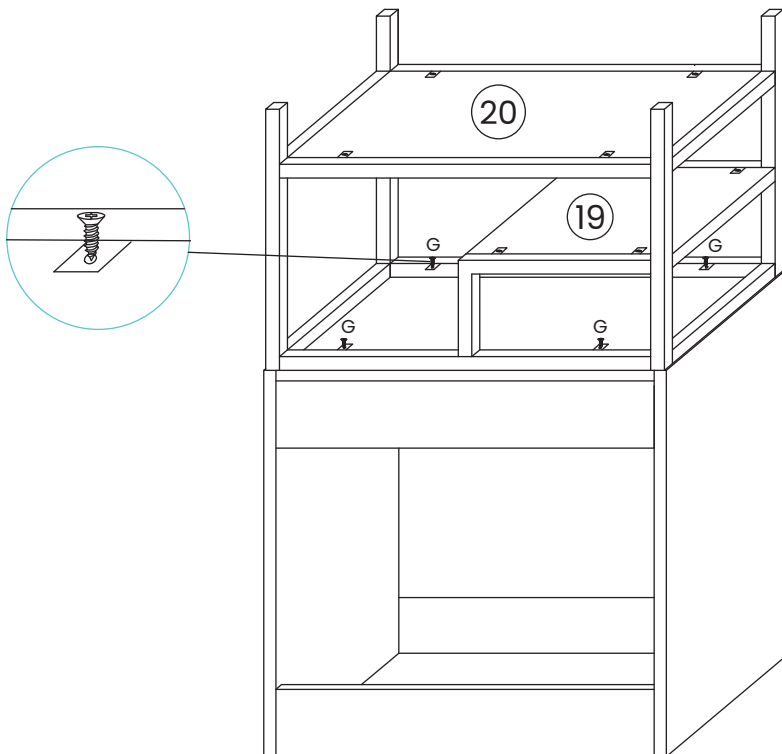
5 Assemble Cabinet Frame

- Attach the small shelf (19) to the metal frame as shown. Secure into place with 4 screws (G).
- Attach the large shelf (20) to the metal frame as shown. Secure into place with 4 screws (G).



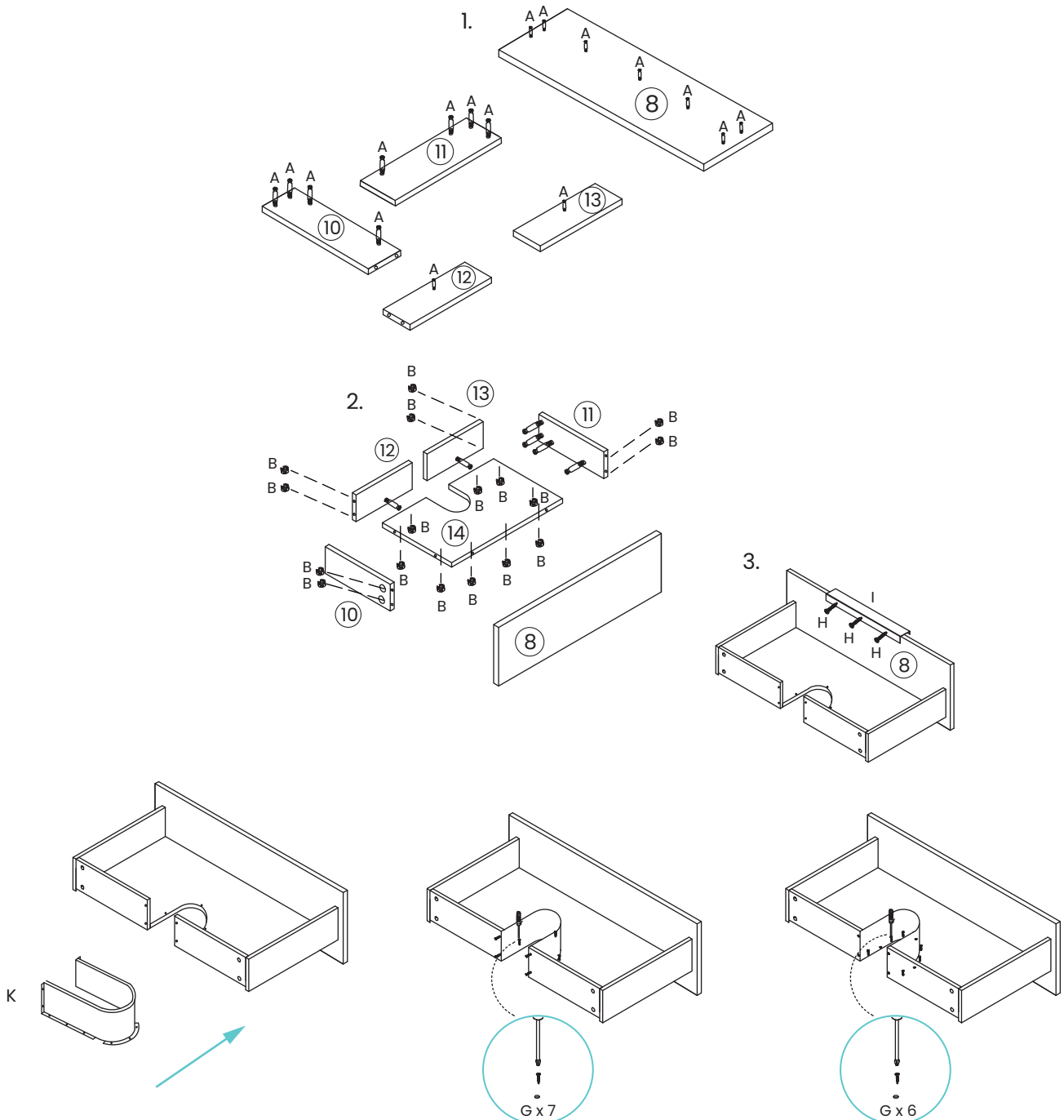
6 Attach Cabinet Frame to Body

- Use 4 screws (G) to attach the cabinet frame to the bottom of the cabinet body as shown.



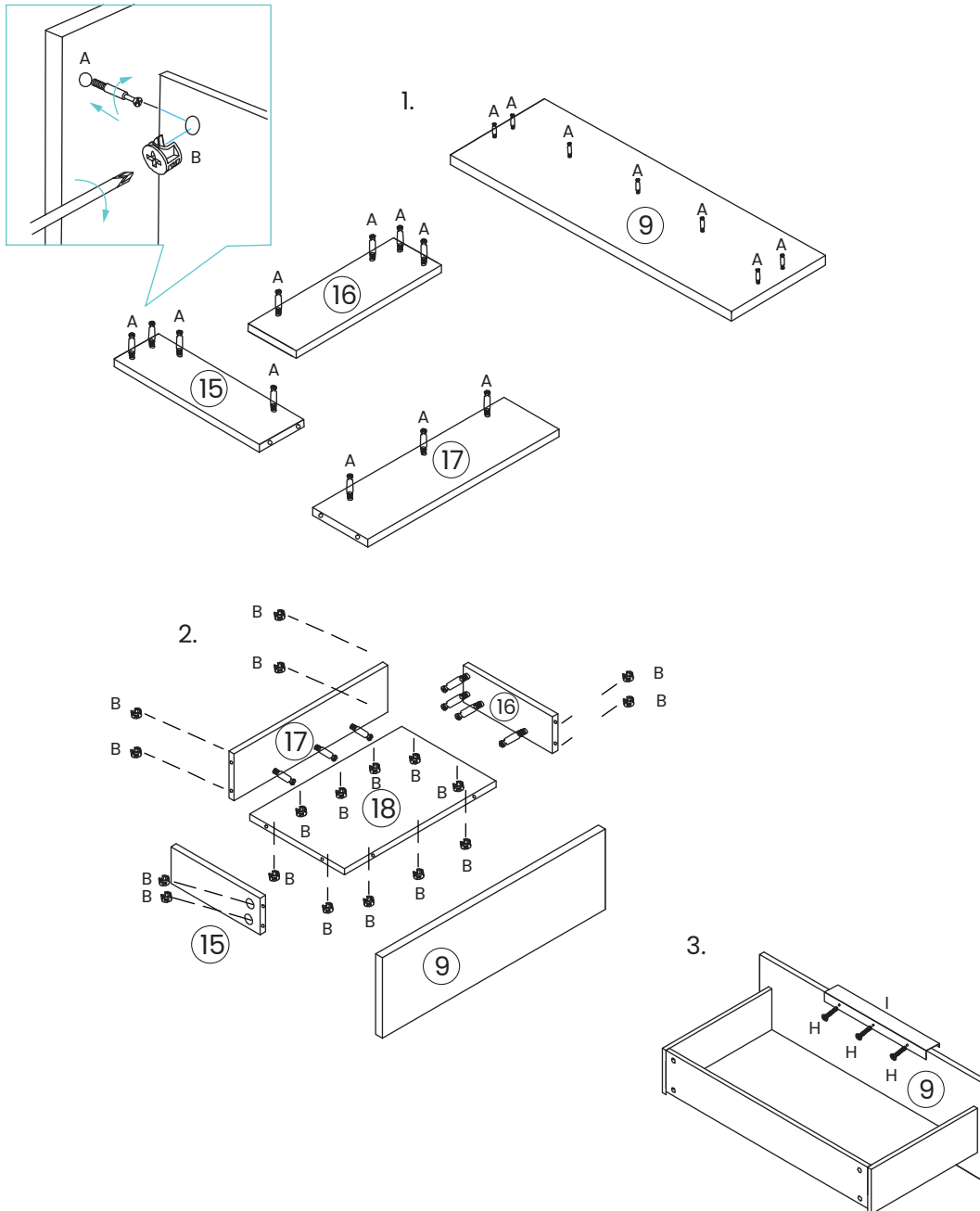
6a Assemble Drawer A

- Screw 7 cam bolts (A) into Drawer A - Front panel (8) as shown.
- Screw 4 cam bolts (A) into both Drawer A - left panel (10) and Drawer A - right panel (11) as shown. Screw 1 cam bolt (A) into both the left back panel (12) and the right back panel (13) as shown.
- Connect all Drawer A panels together (8,10,11,12,13,14) as shown in the drawing below. Secure into place using 17 cam locks (B).
- Use 3 screws (H) to attach the drawer handle (I) to the Drawer A - front panel (8) as shown.
- Slide the inner drawer channel (K) into the cutout of the Drawer A - base panel (14) as shown. Use 7 screws (G) to secure the inner drawer channel (K) to the small drawer as shown. Use an additional 6 screws (G) around the outside of the inner drawer channel (K) as shown to finish the installation.



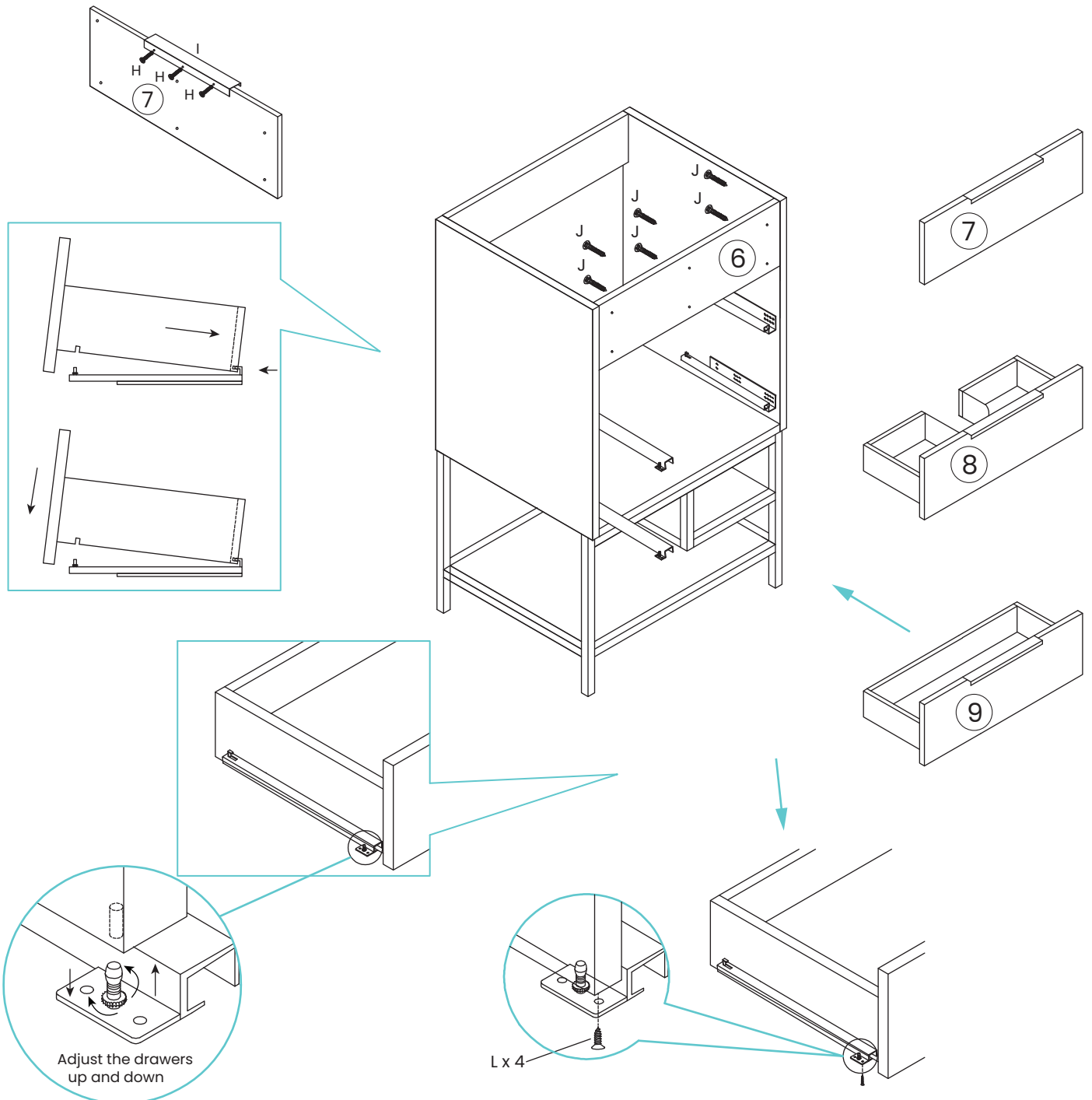
6b Assemble Drawer B

- Screw 7 cam bolts (A) into Drawer B - Front panel (8) as shown.
- Screw 4 cam bolts (A) into both Drawer B - left panel (15) and Drawer B - right panel (16) as shown. Screw 3 cam bolts (A) into Drawer B - back panel (17) as shown.
- Connect all Drawer B panels together (9,15,16,17,18) as shown in the drawing below. Secure into place using 18 cam locks (B).
- Use 3 screws (H) to attach the drawer handle (I) to the Drawer B - front panel (9) as shown.



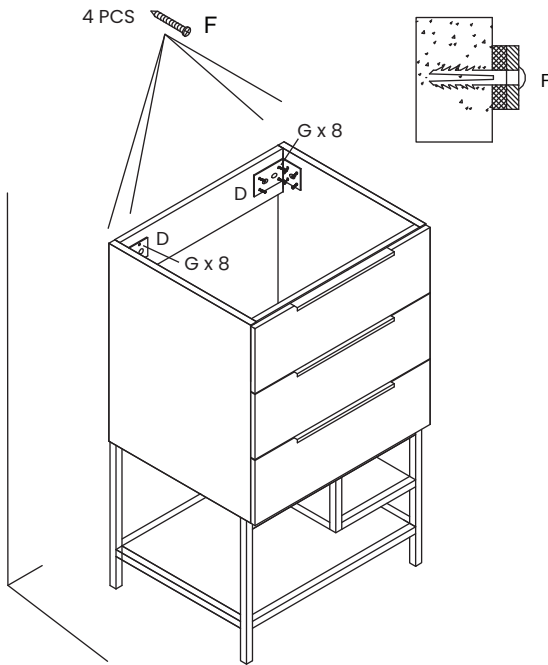
7 Attach Drawers

- Attach a drawer handle (I) to the faux drawer panel (7) using 3 screws (H).
- Align the faux drawer panel (7) to the front top bar (6) and attach 6 screws (J) as shown.
- Take Drawer A and slide the back panels (12,13) onto the back hooks of the drawer slides (E) as shown in the drawing. Align the front of the drawer with the front of the slide as shown and slide into place. Secure Drawer A to the drawer slide (E) using 1 screw (L) per slide.
- Take Drawer B and slide the back panel (17) onto the back hooks of the drawer slides (E) as shown in the drawing. Align the front of the drawer with the front of the slide as shown and slide into place. Secure Drawer B to the drawer slide (E) using 1 screw (L) per slide.



8 Secure Vanity to Wall

- Attach 2 metal brackets (D) to the rear top bar (4) using 16 screws (G).
- Mark desired mounting location on wall and ensure placement is level.
- Select installation option 1 or 2.



Option 1: Securing to Drywall

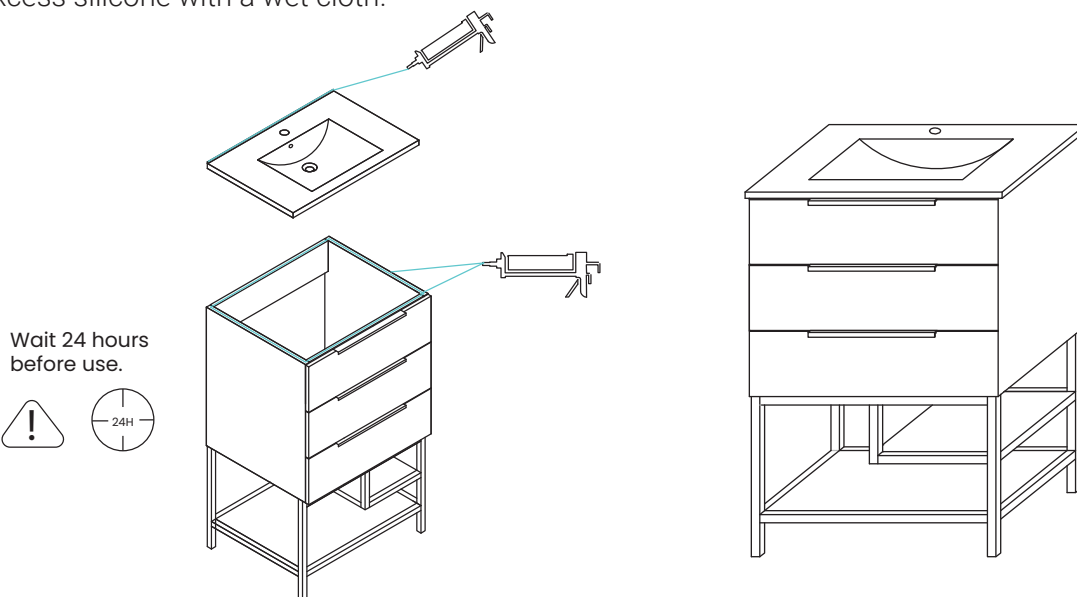
- Position cabinet against wall in desired location.
- Using a pencil, make a mark on the wall through the holes in each bracket (D).
- Move cabinet away from the wall. Create a pilot hole in each mark on the wall, then insert the plastic anchor (F).
- Place cabinet against the wall, insert a screw (F) through the metal bracket (D) into each hole in the wall, then tighten to plastic anchors (F) to secure the vanity.

Option 2: Securing to Drywall & Wood Stud

- Position cabinet against wall in desired location, be sure desired mounting location aligns with existing wood studs.
- Insert screw (F) through the holes in the metal bracket (D), then tighten through the drywall into the wood stud. Repeat this step for the other metal bracket (D) to secure the vanity.

9 Vanity Top Installation

- Install faucet and drain according to manufacturer's installation instructions. Do not overtighten, this may cause the sink to crack.
- Set the vanity top on top of the vanity base, checking the location of the p-trap and drain.
- Remove vanity top from vanity base. Apply a thin bead of silicone around the vanity base and set the vanity top carefully in place.
- Remove excess silicone with a wet cloth.



ONE-YEAR LIMITED WARRANTY

Swiss Madison® products are made with quality materials and excellent craftsmanship to provide our customers with beautiful, durable, long-lasting products. Should there be any defects in materials or craftsmanship under regular use that are discovered within the first year after delivery, Swiss Madison® will provide replacement parts at no charge, or at its discretion, replace any product or part of the product that is deemed defective, under normal installation, use, service or maintenance. This warranty applies only to the original purchaser. Proof of purchase must be submitted with any warranty claim.

Swiss Madison® recommends that all installations of Swiss Madison® products to be conducted by a licensed plumber or contractor. Swiss Madison® will not be held responsible for any damage or product failure due to improper installation, misuse, or failure to utilize a licensed plumber or contractor for installation. Swiss Madison® is not responsible for any installation or removal costs.

THIS ONE-YEAR LIMITED WARRANTY WILL BE VOIDED IF:

- The installation instructions were not followed by the installer
- The product has been moved from its initial place of installation
- The product has in any way been modified from its original condition
- The product has been subjected to improper maintenance, abuse, misuse, excessive use of chemicals, accidents, or other damages

Swiss Madison® makes no warranty that its products comply with any local building or plumbing codes. It is the consumer's responsibility and obligation to determine local code compliance prior to and during installation.

Swiss Madison® is not responsible for any special, incidental or consequential damages associated with the installation, replacement, return or use of the original purchaser's product. This includes, but is not limited to: freight costs, labor, travel time, lost profit, home damages and other contingent liabilities and costs (including, without limitation, costs associated with 'professionals' or 'experts', investigations, audits, analyses, attorneys and any other professional/hired services). Some states do not allow the exclusion or limitation of incidental or consequential damages, so the above limitation or exclusion may not apply to you.

The Swiss Madison® warranty is a comprehensive and explicit limit of liability. All other warranties are hereby disclaimed and waived.

QUESTIONS OR CONCERNS? Please contact us directly at: 1-434-MADISON (623-4766)



WARNING:

Contents of your order may contain sharp and possibly other harmful pieces and may cause hazard to children and adults. Swiss Madison® is not responsible in any way for personal injuries or damages.