



Project Name: \_\_\_\_\_

Location: \_\_\_\_\_

Item #: \_\_\_\_\_

Qty: \_\_\_\_\_

## Adcraft Rice Cooker, 50 Cup, in White

RC-E50GA



Keep up with the demands of rice preparation in your busy commercial kitchen with the Adcraft Rice Cooker. This 50-cup rice cooker is ideal for quickly cooking up to 50 cups of rice evenly and thoroughly. The Keep Warm feature switches from cooking to warming mode once the rice is done to keep it warm for extended periods of time. This heavy-duty, professional quality large-capacity rice cooker is designed to handle the demands of high-volume rice preparation in your commercial kitchen.

### Features and Construction

- Quickly cook up to 50 cups of rice evenly and thoroughly
- Keep Warm feature switches from cooking to warming mode once the rice is done to keep it warm for extended periods of time
- Heavy-duty professional quality unit is designed to handle the demands of high-volume rice preparation
- Stainless steel lid helps contain the heat, keeping your rice warm
- Aluminum interior with easy-to-read measurements
- Comes complete with oversized plastic fork and clear plastic measuring cup
- User-friendly controls
- Two handles make this rice cooker easy to transport

### Electric

220-240V ~ 60Hz - 2950W (12.9)A  
Cord Length (Inches): 57.9  
Plug Type: NEMA 6-20  
Cord set included

NEMA 6-20P



### 3rd Party Approvals



### Warranty (USA / Canada)

Protected by Admiral Craft Equipment Corporation's one-year limited warranty

Contact Admiral Craft Equipment for details at 1-877-672-7740



### Capacity

- 50 cup (23 L)

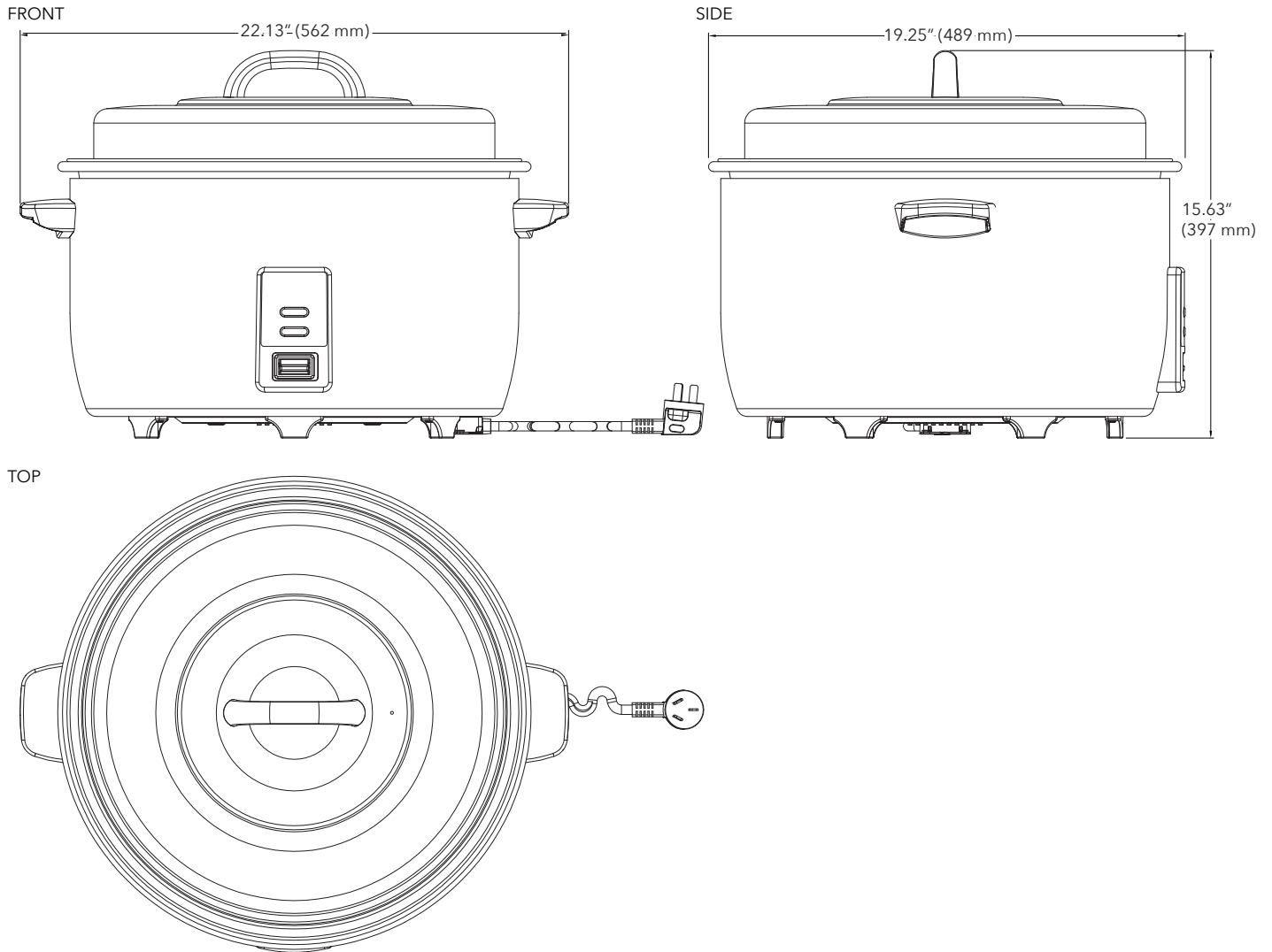
### Included Components

- Measuring cup, spoon, silicone mat



# Adcraft Rice Cooker, 50 Cup, in White

RC-E50GA



## Rice Cooker

Control Type	Capacity	Assembled Dimensions L x W x H (in)	Package Dimensions L x W x H (in)	Item Weight (lb)	Shipping Weight (lb)
Manual	50 cup (23 L)	19.25" x 22.13" x 15.63"	20.00" x 20.00" x 14.17"	25.9	29.0

Due to periodic changes in designs, methods, procedures, policies and regulations, the specifications contained in this document are subject to change without notice. While we exercise good faith efforts to provide information that is accurate, we are not responsible for errors or omissions in information provided or conclusions reached as a result of using the specifications. By using the information provided, the user assumes all risks in connection with such use.