

Features

- 60" (1524 mm) x 32" (813 mm) x 15-1/2" (394 mm)
- 15" apron height for easy entrance and exit
- Safeguard® slip-resistant surface provides excellent traction underfoot
- Integral apron
- Integral lumbar support

Material

- KOHLER® enameled cast iron

Installation

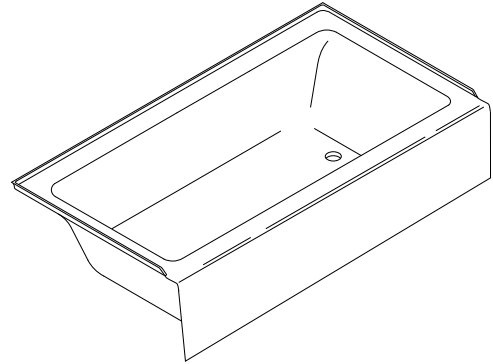
- Alcove
- Integral flange

Required Products/Accessories

- K-37383 Rough-in cable bath drain, PVC, 30" cable with tubing
- K-7259 Brass toe tap bath drain
- K-78438 30" cable bath drain
- K-T37391 Rotary-turn bath drain trim
- K-T37392 Rotary-turn bath drain trim

Recommended Products/Accessories

- K-14426 Wall-mount bath spout
- K-14427 Wall-mount bath spout
- K-1601 Bath/whirlpool footstop, removable
- K-706000-D3 Frameless Sliding Bath Door
- K-706000-L 62" H sliding bath door with 1/4"-thick glass
- K-706004-D3 Frameless Sliding Bath Door
- K-706004-L Frameless Sliding Bath Door
- K-23726 Drain treatment
- K-23725 Cast iron cleaner



ADA

Codes/Standards

ASME A112.19.1/CSA B45.2
ASTM F462
ADA
ICC/ANSI A117.1

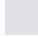

KOHLER® Enameled Cast Iron Bath and Shower Base Lifetime Limited Warranty

See website for detailed warranty information.

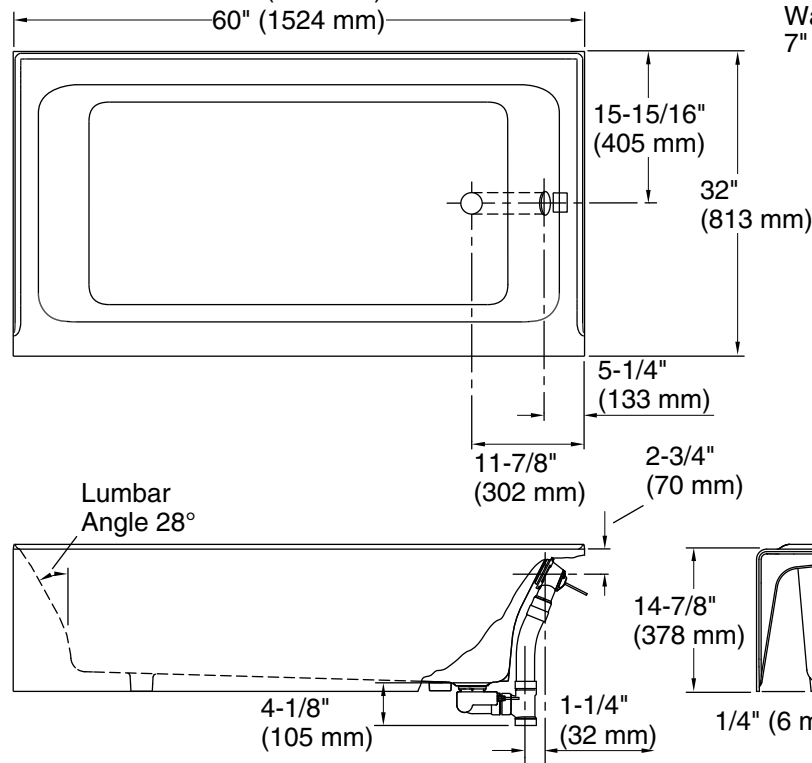
Available Colors/Finishes

Color tiles intended for reference only.

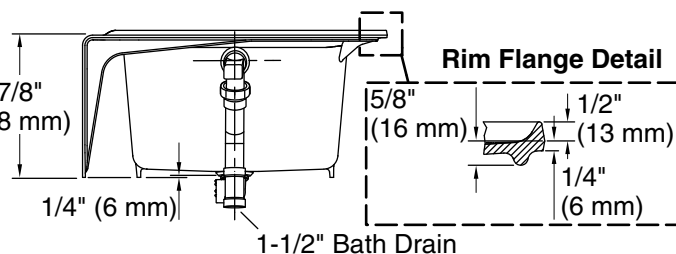
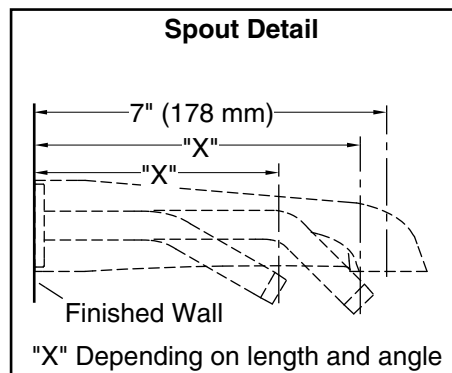
Color	Code	Description
-------	------	-------------

	0	White
	96	Biscuit

No change in measurements if connected with drain illustrated. (K-37383)



Note: To clear the bath rim end wall, a minimum 7" (178 mm) bath spout is recommended. Water flow from angled bath spouts less than 7" (178 mm) may also provide needed clearance.



Technical Information

All product dimensions are nominal.

Drain location:	Right
Basin area, bottom:	43-7/8" x 21" (1114 mm x 533 mm)
Basin area, top:	51-1/4" x 23-5/16" (1302 mm x 592 mm)
Weight:	327 lbs (148.3 kg)
Minimum floor load:	52 lbs/ft ² (253.9 kg/m ²)
Water depth:	11-5/16" (287 mm)
Water capacity:	44 gal (166.6 L)
Minimum flat for door:	2-1/2" (63 mm)

Notes

Measure your actual product for rough-in details.

Install this product according to the installation instructions.

The hot water supply should be 70% of the capacity of the bath or greater. Installations will vary.

ADA compliant when installed to the specific requirements of these regulations.