

# Kräus®

www.kraususa.com

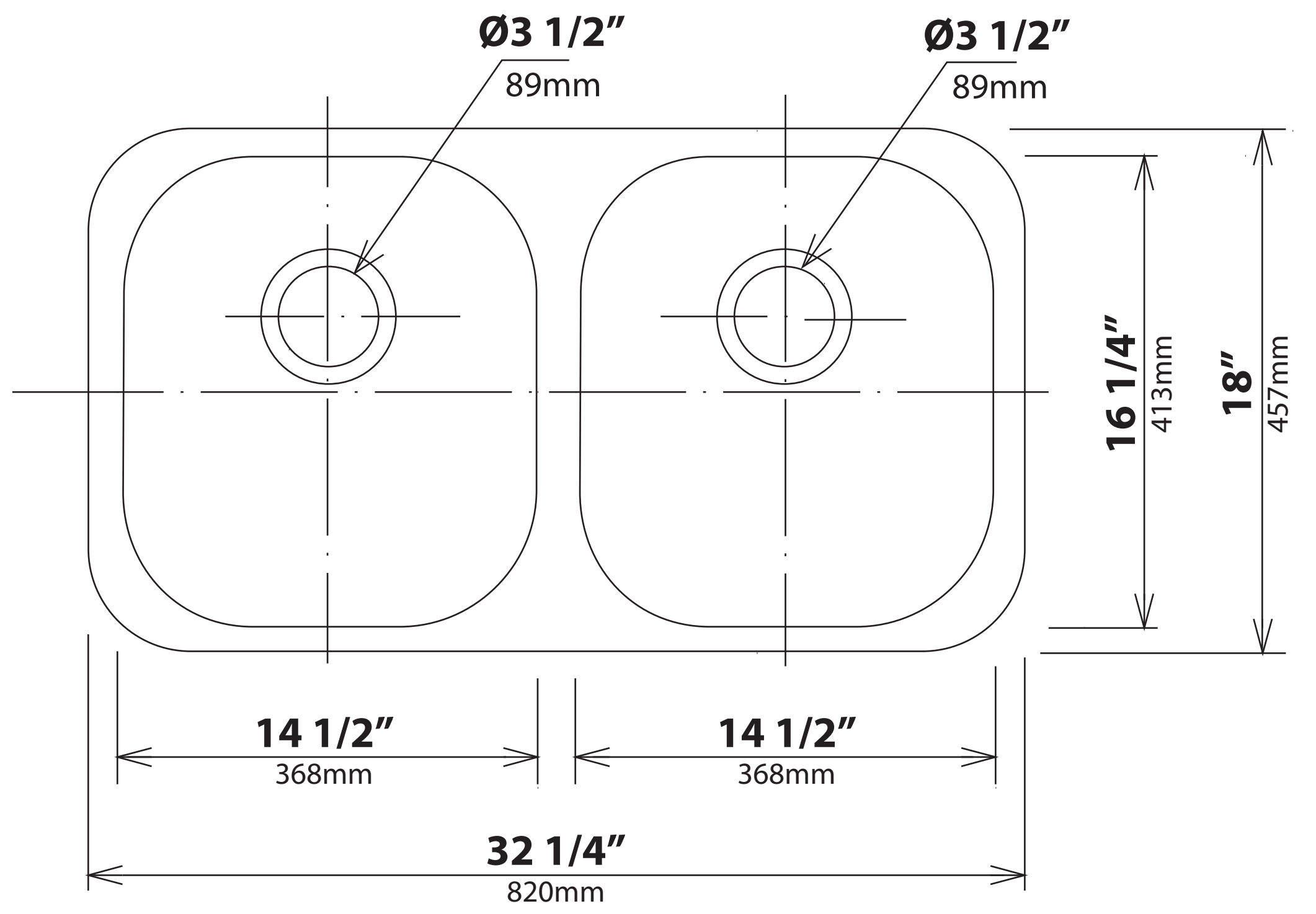
**Model No. KBU22/ KBU22E**

**Undermount Template**

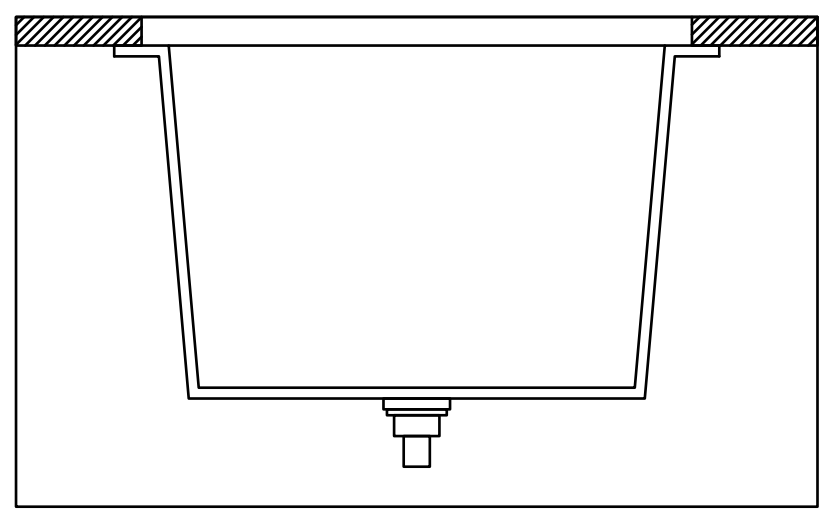
Pro Hotline: 516.801.8955

Customer Service: 800.775.0703

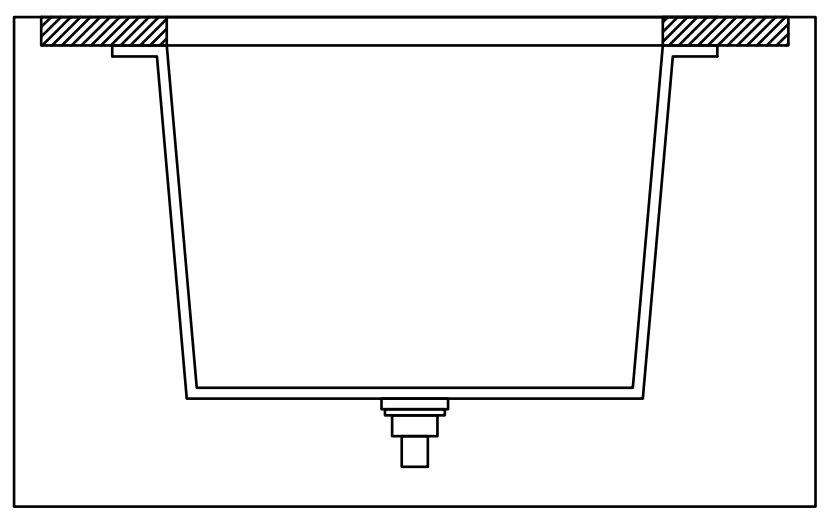
**NOTE:** Cutout template is provided as a guide ONLY and must be checked against actual sink to verify correct fit.



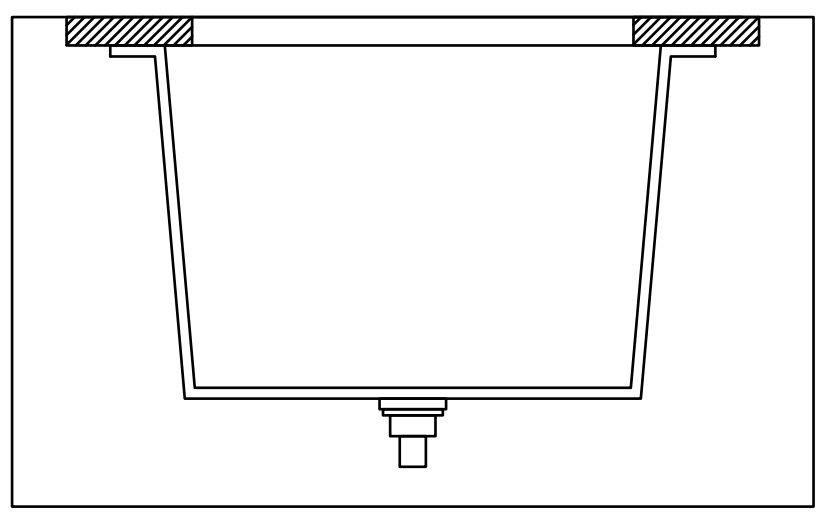
SPECIFICATION C: 3/8" POSITIVE REVEAL



SPECIFICATION A: ZERO / FLUSH REVEAL



SPECIFICATION B: 1/8" NEGATIVE REVEAL



- ← Please cut along inner solid line for negative reveal 1/8"
- ← Please tear perforated edge for zero / flushed reveal
- ← Please use outer edge for positive reveal 3/8"