



Keypad Controller



The Schlage Keypad Controller (BZ300) provides convenience of keyless access as the Schlage Omnia™ or Schlage eGO™ Smart Locks.

Features

- Relay control for locking devices or systems
- Combined with Schlage Breeze or Schlage Breeze Hotel software, the Schlage Keypad Controller adds enhanced access to any site
- Access control product featuring keypad, card reader, and Bluetooth app
- Easily manage access via Schlage Breeze/Breeze Hotel

Warranties	
Electronic	1 year
Finish	allegion.co.nz/finisheswarranty

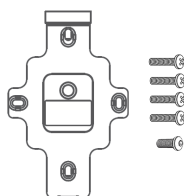
Specifications

Model	Schlage Keypad Controller (BZ300)
Dimensions	79mm (W) x 129mm (H) x 15mm (D)
Material	Aluminium frame / Tempered glass panel
Communication	Bluetooth 4.1
Stand-by current	~ 15mA
Operating current	~ 1A (maximum)
Power supply	9 - 16V
Unlocking time	~ 1.5S (can be configured in Schlage Breeze App)
Waterproof level	IP66

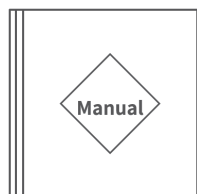
Parts included



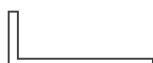
Keypad controller



Mounting plate + 4 screws



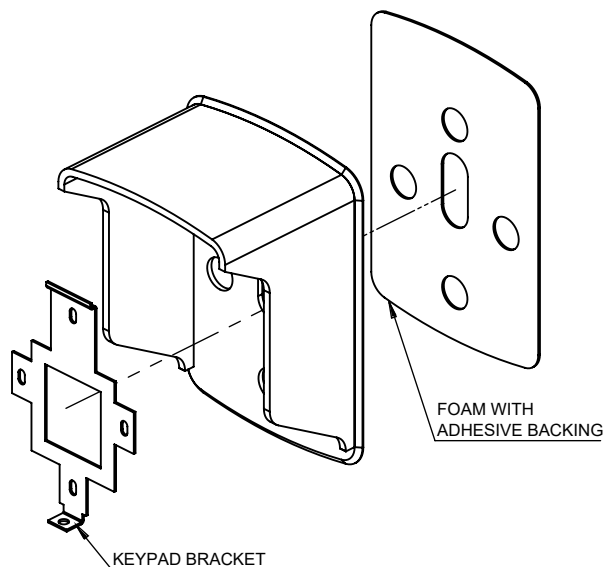
Manual



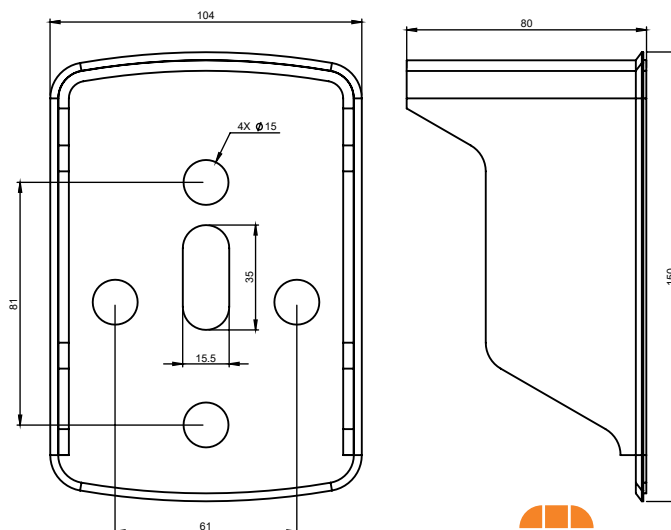
Hex key

Accessories

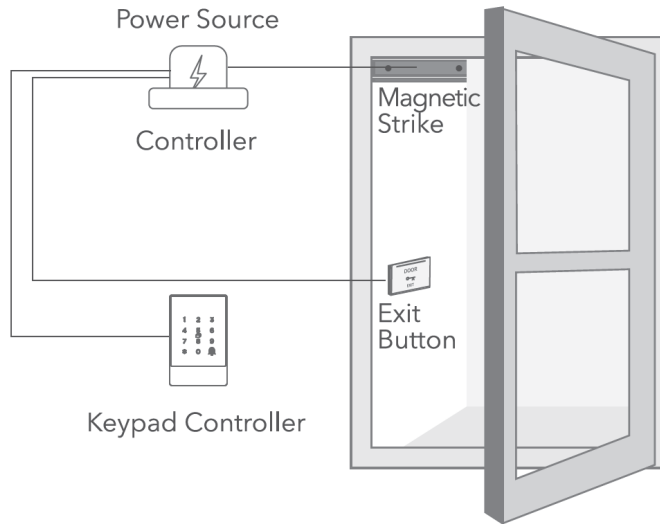
Keypad cover install info



Keypad cover dimensions

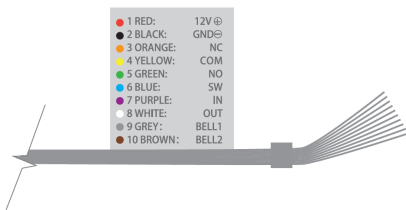


Mounting details



Wiring

Connect the leads to the appropriate ports of the power supply according to the diagram.



Full process control sample

