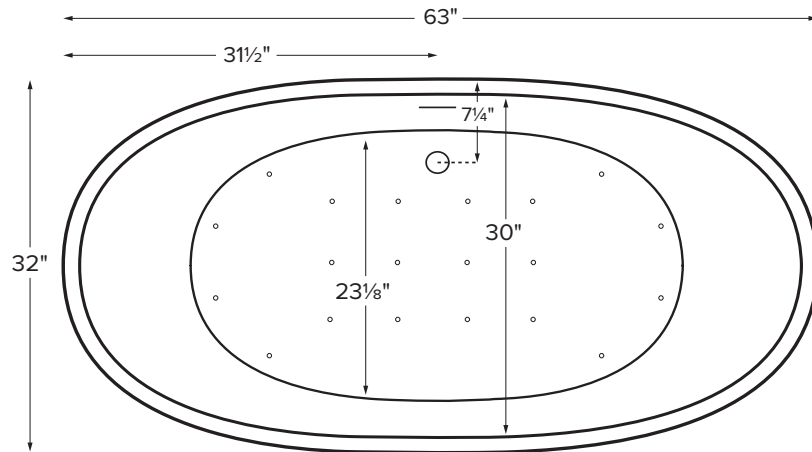


Elise

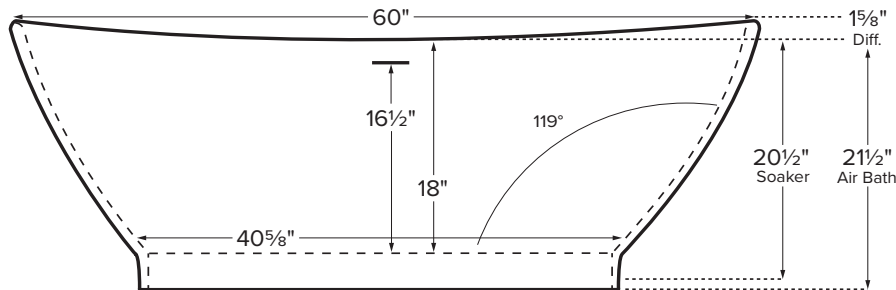


Features an integrated overflow

MODEL 194
63" x 32" x 20.5"/21.5"
FREESTANDING 74 gal to overflow
SculptureStone®
215 lbs / 98 kg soaker 245 lbs / 111 kg airbath
Filling this tub to the maximum may require an above average size or dedicated water heater.



Shown above as an Air Bath.



ELECTRICAL COMPONENTS & SPECIFICATIONS		
Required Electrical Service - 110 Volt		
Hydrotherapy Package	Components Included	GFCI
Air Massage	heated blower	1-15 amp
Electrical requirements may change with the addition of optional therapy components. See specific option details or installation information. CSA Certified C/US; ANSI Z124.1 and ANSI 112.19.7 and ANSI 112.19.7		

See the Installation & Operation Manual for more details.
MTI's Customer Service: Monday-Friday 8am-6pm EST
800-783-8827 or service@mtibaths.com

IMPORTANT ORDERING & INSTALLATION INFORMATION

- Before ordering or installing, please consider future access to equipment.
- Includes an integrated overflow with toe tap drain in chrome finish. May be specified without an overflow (see local codes before ordering without an overflow).
- Air baths require job site preparation for remote installation of the blower and required check valve. Check valve must be installed higher than the rim of the tub.
- Waterproof remote control included with air bath. Keypad shipped loose may be remote mounted on nearby surface/wall.
- Faucet valves cannot be mounted on this tub model.

• Before discarding tub crate, check for accessories that may be packaged inside.
• All product measurements are ±1/2".
• Specifications and configurations are subject to change without notice.
• Measurements herein supersede all others published prior to publication date below.

For more information on options and accessories go to SculptureStone® Tubs Options on mtibaths.com

Elise

MODEL #: 194

63" x 32" x 20.5"/21.5"

- Blower & required check valve for airbath must be remote mounted.
- Check valve must be installed higher than the rim of the tub.
- See the Installation & Operation Manual for more details.

Hydrotherapy	Package Contents	Part #	Finish	MSRP
Soaker	Soaking bath - no jets. Includes an integrated slotted overflow with a toe-tap drain kit.	S194	soft matte	\$8,610
		S194GL	hand-polished gloss	\$9,785
Air Bath	20 air jets, heated air blower, keypad, waterproof remote control, integrated slotted overflow with a toe-tap drain kit.	AST194	soft matte	\$14,150
		AST194GL	hand-polished gloss	\$15,325

Options <i>Must be ordered at time of purchase</i>
Quick Ship (QSPRI2) \$1,110 reduces lead time <i>Please call for availability</i>
Standard Color White Biscuit Color Upgrade (SSBI) \$320 <i>Additional material colors available for projects only. Please call MTI.</i>
Accessories
Teak Bath Mat (TKMAT3018) \$880 Measures 30" x 17.5" x 1" <i>Custom sizes also available. Contact MTI for details.</i>
SculptureStone® Tub Tray No Stemware Holder (SSTRAY1) \$370 matte (SSTRAY1GL) gloss \$370 With Stemware Holder (SSTRAY2) \$490 matte (SSTRAY2GL) gloss \$490 <i>Order with tub for best color match</i>
Teak Tub Tray Slatted (TK-TRAY1) \$540 Solid (TK-TRAY2) \$615 <i>Order with tub for best fit</i>

SculptureStone® Tub Accessories	
Packaging / Handling Fee Applies	
SculptureStone® Bathroom Table (TABLE) \$895 matte finish (TABLEGL) \$1,360 gloss finish <i>Order with tub for best color match</i>	
SculptureStone® Standard Faucet Stand	
Small - 3-hole capacity 14¼" w x 20½" h Matte (STAND) \$780 Gloss (STANDGL) \$1,250	Large - 5-hole capacity 22" w x 21½" h Matte (STANDL) \$925 Gloss (STANDLGL) \$1,390
SculptureStone® Premium Faucet Stand	
15" w x 39" h Matte (SSFSR3915MT) \$2,555 Gloss (SSFSR3915GL) \$2,940	10" w x 39" h Matte (SSFSR3910MT) \$2,310 Gloss (SSFSR3910GL) \$2,730
20" w x 23" h Matte (SSFSR2320MT) \$2,090 Gloss (SSFSR2320GL) \$2,505	15" w x 23" h Matte (SSFSR2315MT) \$1,975 Gloss (SSFSR2315GL) \$2,355

Drains & Overflow Kits <i>Must be ordered at time of purchase</i>	
Toe Tap Drain Cover Finishes PVC drain - Chrome included + \$55 upcharge Br. Nickel (WIOBN), Pol. Nickel (WIOPN) + \$95 upcharge Matte Black (WIOMB) + \$115 upcharge Oil-Rubbed Bronze+ (WIOOR) + \$695 upcharge Special Finish* (WIOSF) <i>Send finish sample to MTI Baths for best match.</i>	Toe Tap SculptureStone® Drain Cover Finishes Upgrade is in lieu of standard chrome to tap drain cover. White only + \$100 upcharge Matte Finish (SSWIOMT) + \$120 upcharge Gloss Finish (SSWIOGL) Brass Tailpiece (WIOBS) \$95 in addition to finish charge listed above Quick Drain Kit (WOQ) \$510

* MTI has selected an oil-rubbed bronze finish that is compatible with Delta and many other manufacturers. To ensure best match, order as a Special Finish and submit a sample.

CSA # MTCT-194

©2025 by MTI Baths, Inc. Modification Rights Reserved

* Allow 2-4 weeks lead time for Special Finishes. Send sample for best match.