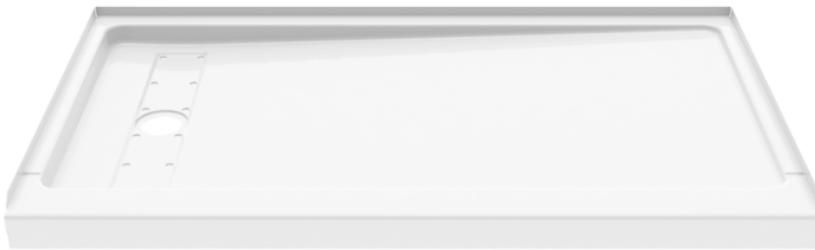


010-2304/010-2305

60 X 36 AMERICAST SHOWER BASE LH OR RH 8.5 INCH TRENCH DRAIN

Exterior Dimensions: 60W x 36D

Note: Dimensions may vary +/- 1/4"



Material to be stacked on pallets.

COLOR & TRIM OPTIONS

| Standard Color | Code |
|---------------------------|------|
| White | -00 |
| Drain Finishes Available: | |
| Chrome | CH |
| Matte Black | MB |
| Brushed Nickel | BN |

FEATURES

- Base size: 60" x 36"
- Low profile curb height: 3"
- Construction:
 - Americast® brand engineered material
 - Full textured slip-resistant floor surface
 - Drain located 8.5" from wet-wall for easier remodel/bathtub replacement
 - Integrated weep channels for optimal drainage
 - Integral tile-flange for leak-prevention
 - Pre-leveled support pad for easier installation
 - Easy to clean, resistant to: bacteria, mold, mildew and stains
 - Multiple Drain Finishes Available
 - Round and Square drain options available
 - Limited lifetime residential warranty
 - 3-Year commercial warranty

STANDARDS AND RATINGS*

- National Plumbing Code of Canada
- International Residential Code
- International Plumbing Code
- Uniform Plumbing Code
- MAS Certified Green
- ASME A112.19.1
- ASTM C282
- ASTM C448
- ASTM E162
- ASTM E662
- ASTM F462
- ASTM E303-22
- CSA B45.2
- WWP-541
- UL -969
- Applicable for LEED Credits
- HUD
- VA
- FHA

*Compliance effective where applicable and installed accordingly

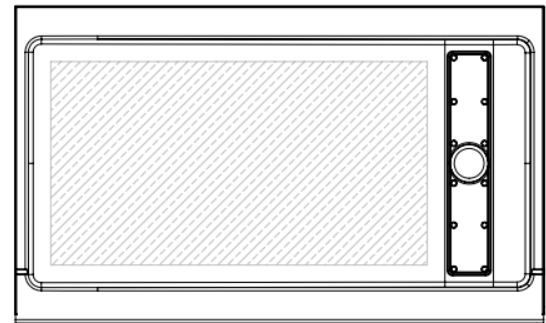
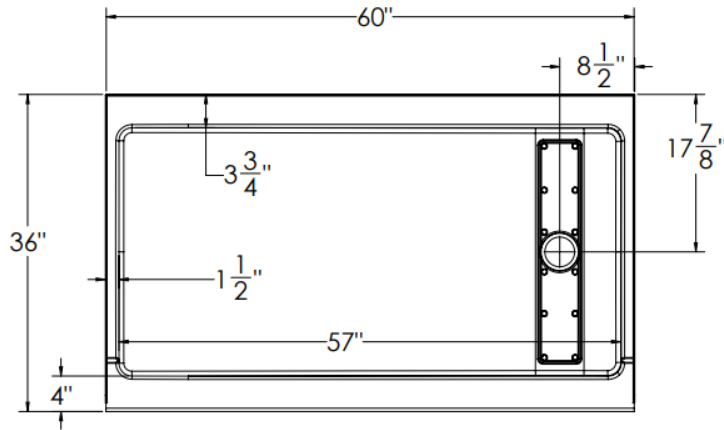




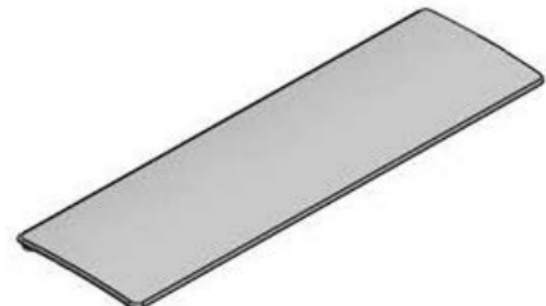
010-2304/010-2305

60 X 36 AMERICAST SHOWER BASE LH OR RH 8.5 INCH TRENCH DRAIN

Note: Base dimensions may vary +/- 1/4"



Shaded area represents anti-slip coverage



- All dimensions are approximate. Measurements should be verified against the unit to ensure proper fit

FEATURES Dimensional Tolerance $\pm 1/4$ ". Dimensions needed for site preparation should be measured from the unit. American Bath Group assumes no responsibility for preparatory work.

| Type and Model # | Drain Side | Material | Surface |
|-----------------------|------------|-----------|-------------------------------|
| Shower Base #010-2304 | Right | Americast | Porcelain Enamel w/ Anti-slip |
| Shower Base #010-2305 | Left | Americast | Porcelain Enamel w/ Anti-slip |

DIMENSIONS

| Specifications | inches |
|---------------------------------------|--------|
| Shower Base Depth: | 36 |
| Shower Base Length: | 60 |
| Apron Height: | 3 |
| Step-Over Depth: | 4 |
| Shower Door Mountable Surface Depth*: | 4 |

SUGGESTED DRAINS

| Image | Description |
|-------|---|
| | Solvent Weld type fitting similar to Oatey Part No. 42097 |
| | Compression type "No-Caulk" fitting similar to Oatey Part No. 42099 |

Shower doors can only be attached to the shower base surface via adhesive, and cannot be drilled/nailed to the shower base surface