

K-18829

2" x 4" in-wall tank and carrier system

Features

- Robust steel frame
- Insulated tank to prevent sweating
- Large flush actuator plate opening can be removed for easy access to inner tank
- Adjustable height allows bowl to be set anywhere between 15-3/8" - 28-1/2" (391 - 724 mm) from floor
- Dual-flush actuator offers a choice of 0.8 or 1.6 gpf (3.0 or 6.0 lpf)
- Works with compatible wall-hung bowls and select flush actuator plates to create a complete solution
- Dual-flush technology allows you to choose between a full or partial flush
- Eligible for consumer rebates in some municipalities



Sustainability



Codes/Standards

Plumbing codes may require elongated toilets and elongated, open-front seats in public bathrooms.



ASME A112.6.2

ASME A112.19.5/CSA B45.15

ASSE 1002/ASME A112.1002/CSA B125.12

EPA WaterSense®

Technical Information

Flush Type: Dual-Flush Technology

Flush Rate: 0.8 or 1.6 gpf (3 or 6 lpf)

Recommended Products/Accessories

K-5413 Flush actuator plate for 2"x 4" in-wall tank and carrier system

K-8857 Flush actuator plate for 2"x4" in-wall tank and carrier system

K-23251-F Flush actuator plate

K-23252-F Dual-flush actuator plate for 2" x 4" in-wall tank and carrier system

K-75890 Flush actuator plate for 2"x 4" in-wall tank and carrier system

K-31539 Wall-hung compact elongated toilet, dual-flush

Warranty

See website for detailed warranty information.

KOHLER® Toilets and Seats Limited Warranty

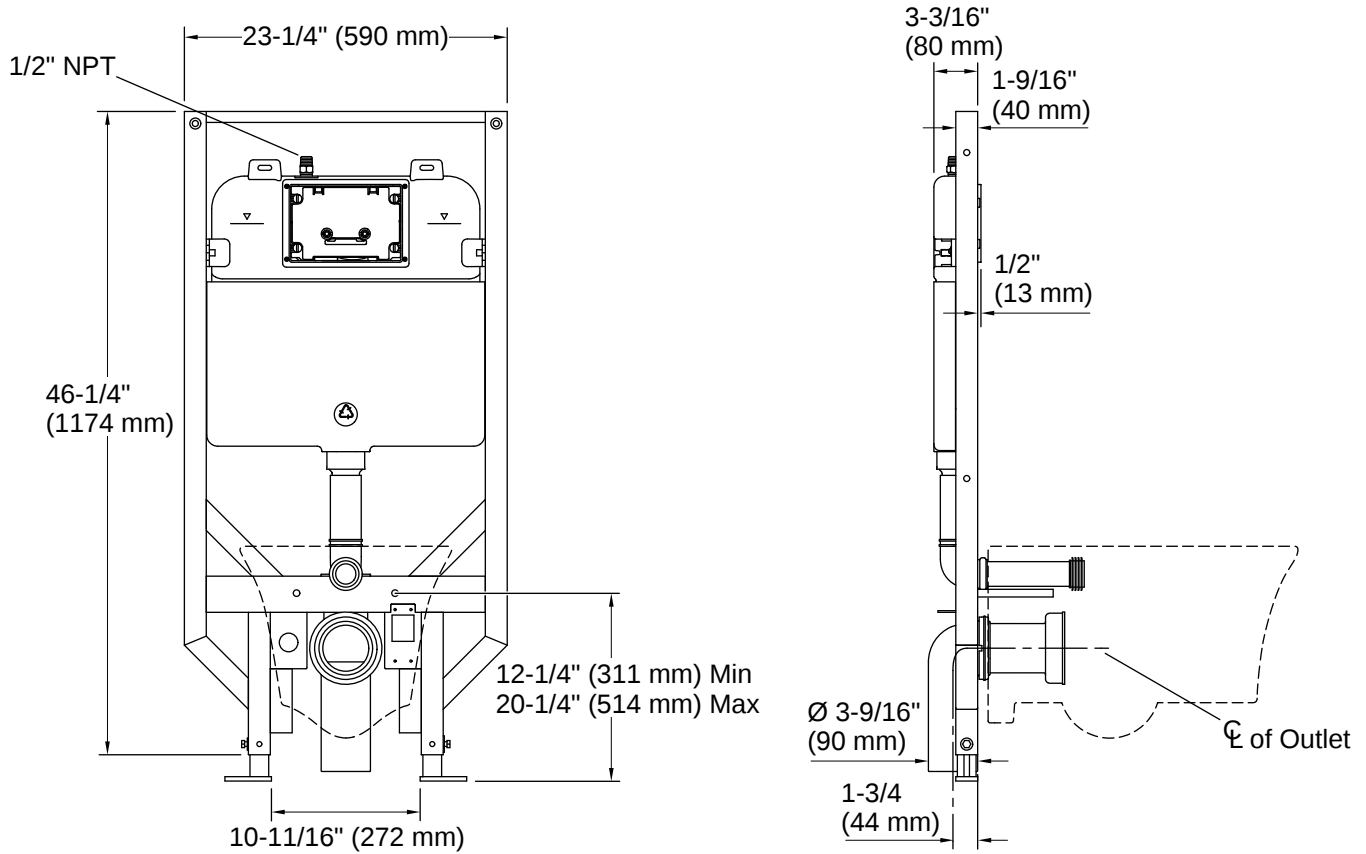


1-800-4KOHLER (1-800-456-4537)

Kohler Co. reserves the right to make revisions without notice to product specifications.

For the most current specification sheet, go to www.kohler.com USA or www.kohler.ca Canada.

4-15-2026 5:7 - US-CA



Installation

- Durable steel frame carrier is installed on either 2" x 4" or 2" x 6" studs behind the wall. See installation guide and installation video for more detailed information
- Supply line sold separately
- Requires electrical box kit when pairing bidet seat with bowl (sold separately)
- When installed per Kohler installation instructions, the KOHLER in-wall tank and carrier system can support up to 500 lb (226.8 kg) without damage

Installation Notes

Install this product according to the installation instructions.

Requires 2x4 or 2x6 stud construction.
 Refer to manufacturer and local codes for flush valve requirements.
 In-wall tank and carrier system install in wall opening 3-3/16" (80 mm) x 23-1/4" (519 mm) x 50" (1270 mm) minimum.
 Maximum inlet water temperature shall not exceed 80°F (26.7°C).

