

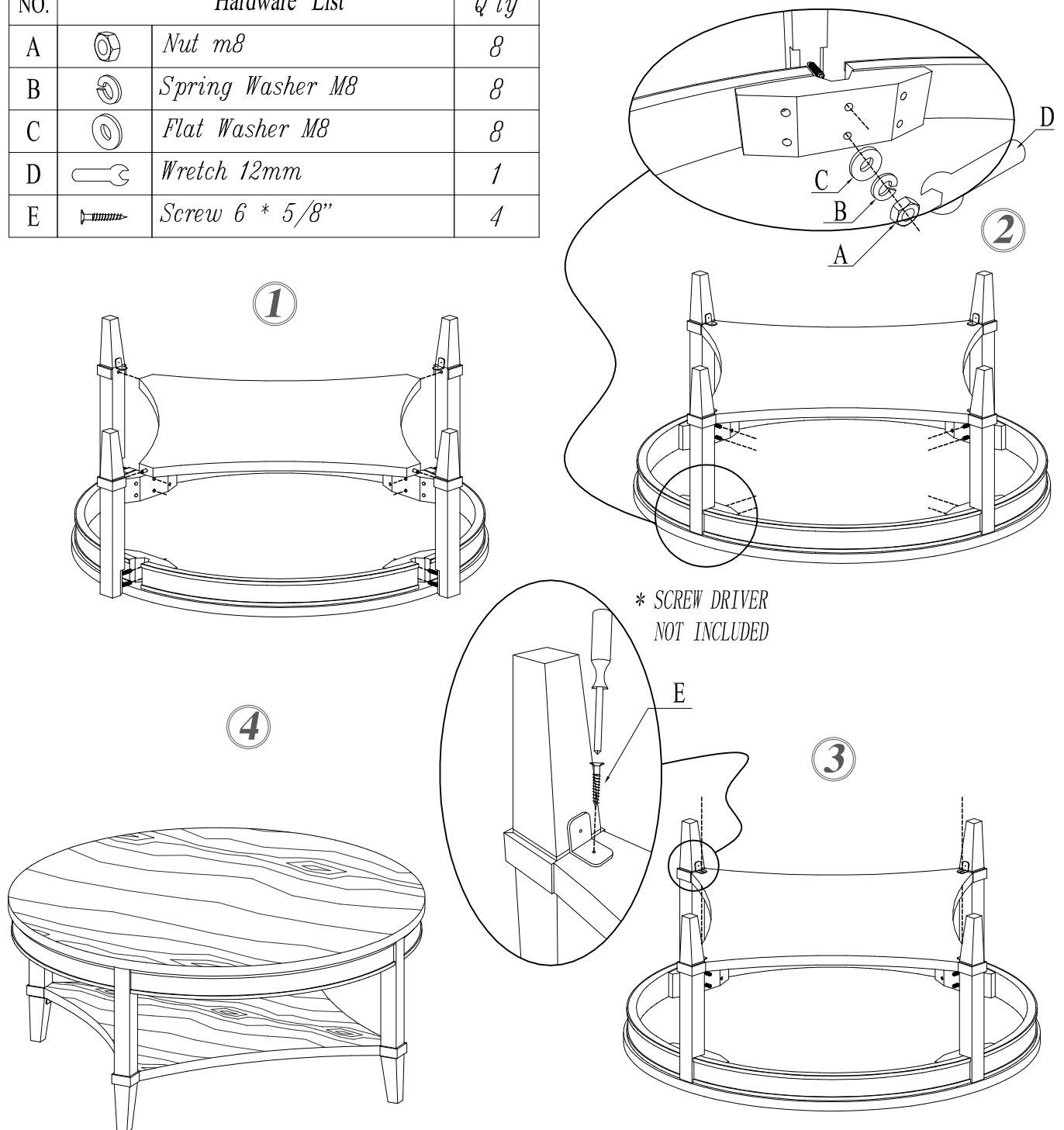
HEKMAN

A HOWARD MILLER COMPANY

ASSEMBLY INSTRUCTIONS

25802 - ROUND COFFEE TABLE

NO.	Hardware List		Q'ty
A		Nut m8	8
B		Spring Washer M8	8
C		Flat Washer M8	8
D		Wrench 12mm	1
E		Screw 6 * 5/8"	4



PLACE THE TOP ASSEMBLY UPSIDE DOWN ON SOFT AND CLEAN SURFACE TO PREVENT SCRATCHING

1. ATTACH THE FOUR LEGS (#1) TO THE TABLE TOP WITH BOTTOM SHELF
2. ASSEMBLE THE FOUR LEGS WITH NUT (A), SPRING WASHER (B), AND FLAT WASHER (C), TIGHTEN WITH WRENCH (D)
3. SECURE THE BOTTOM SHELF USING SCREW (E)
4. SET THE TABLE UPRIGHT, ASSEMBLY COMPLETE

MADE IN INDONESIA