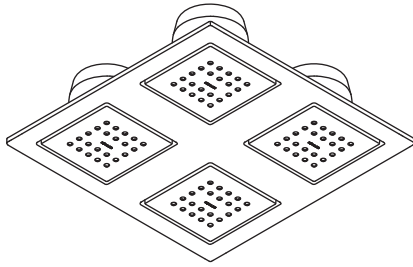


Installation and Care Guide

Overhead Rain Panel

K-98740

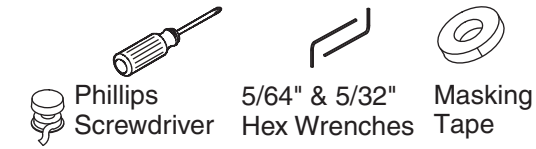


Français, page "Français-1"
Español, página "Español-1"

THE BOLD LOOK
OF **KOHLER**®

1207715-2-C

Tools



Sealant
Tape



Socket Wrench with 11 mm or
7/16" Socket and Extension



Soldering Supplies

Plus:

Note: All nipples and fittings
are 1/2" NPT

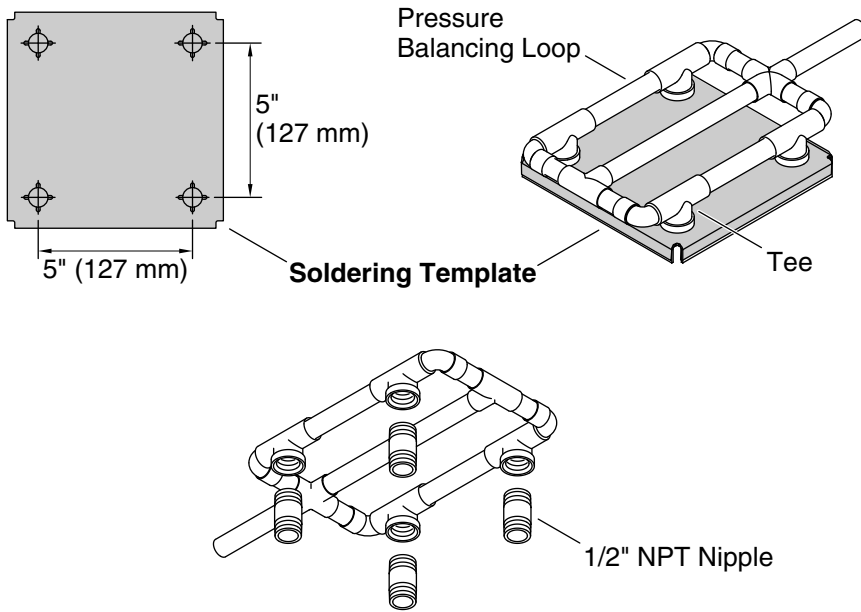
- Close or 1-1/2" nipple
- Female fittings
- 1/2" copper tubing
- 2x2's and 2x4's
- Conventional woodworking
tools and materials

Important Information



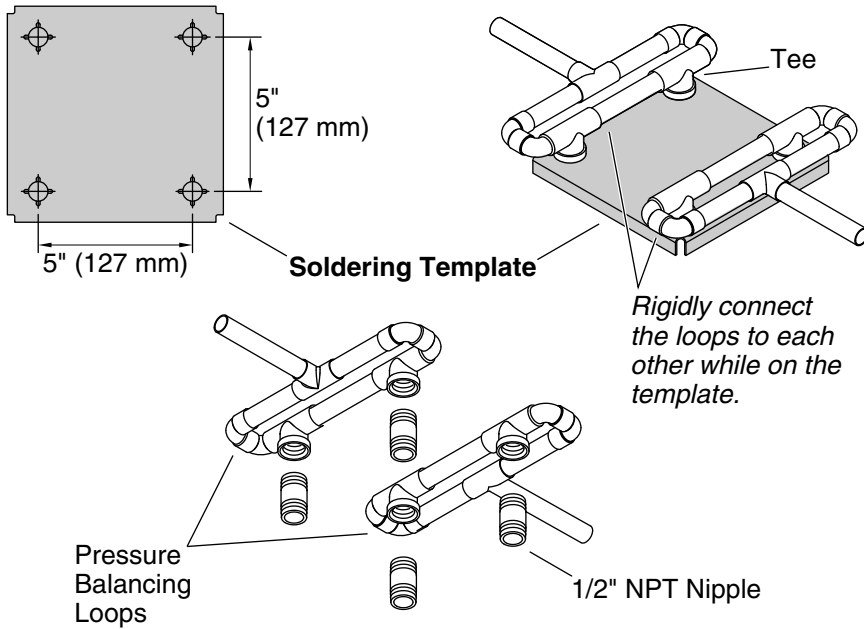
WARNING: Risk of scalding. High water temperature can cause severe burns. Set the water temperature at or below 120°F (49°C) following the adjustment procedure in the valve Installation and Care Guide.

- Observe all local plumbing and building codes.
- Inspect the supply piping for damage. Replace as necessary.
- For service parts information, visit your product page at www.kohler.com/serviceparts.



1. Install the Supply Piping – Single Supply

- Route the water supply lines.
- Use the provided soldering template to construct a pressure balancing loop.
- Position tees in the loop over each of the four raised locations on the template.
- Solder the assembly while it is attached to the template.
- Remove the pressure balancing loop from the template.
- Connect the pressure balancing loop to the water supply.
- Do not strap the pipes.
- Temporarily install a nipple to each tee. Do not use any sealant.

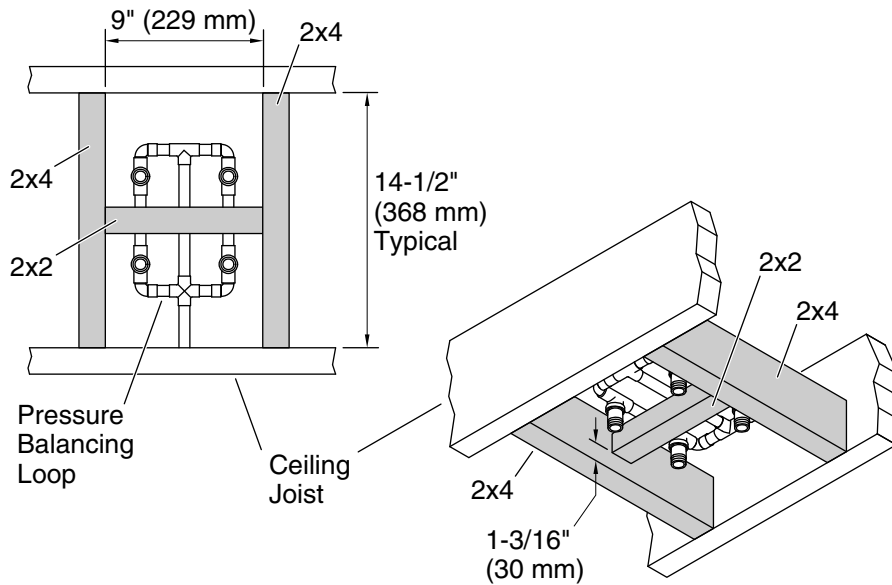


2. Install the Supply Piping – Multiple Supplies

- Route the water supply lines.
- Use the provided soldering template to construct the pressure balancing loops.
- Position tees in the loops over each of the four raised locations on the template.
- Solder the assembly while it is attached to the template.

IMPORTANT! To ensure proper alignment of the tees with the product, the two pressure balancing loops must be rigidly connected to each other while on the soldering template.

- While still on the soldering template, rigidly connect the two pressure balancing loops to each other.
- Remove the pressure balancing loop assembly from the template.
- Connect the pressure balancing loops to the water supplies.
- Do not strap the pipes.
- Temporarily install a nipple to each tee. Do not use any sealant.

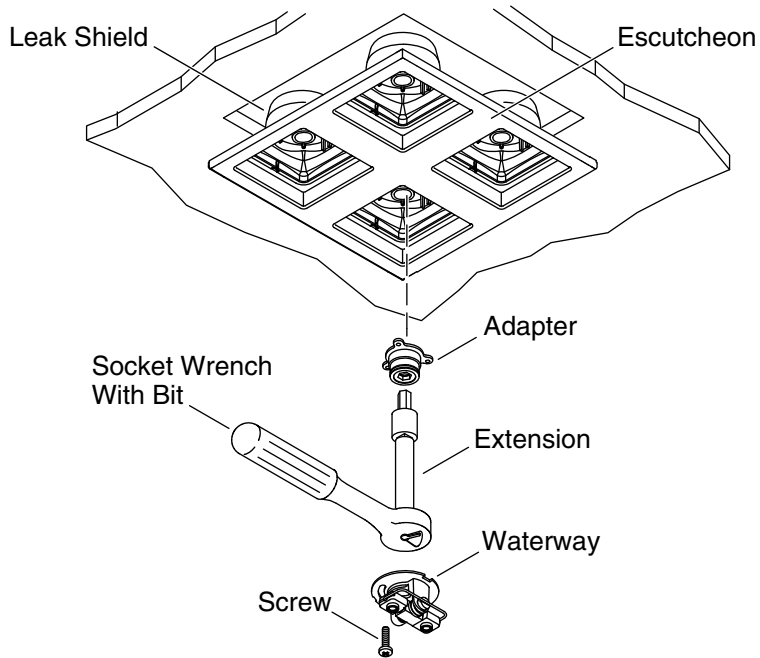


3. Install the Support Framing

- Construct the support framing as illustrated. The 2x2 should be offset 1-3/16" (30 mm) from the bottom edge of the 2x4s to support the pressure balancing loop at the proper depth.
- Install the support framing under the pressure balancing loop(s). The bottom of the 2x4s should be flush with the bottom of the ceiling joists.
- Do not strap the pipes.

Install the Pipe Nipple (cont.)

- Measure the distance from the end of the nipples to the surface of the finished ceiling. Verify that the distance is at least 1-1/2" (38 mm) and no more than 1-3/4" (44 mm).
- Remove the nipples.
- Apply thread sealant to the threads of the nipples.
- Reinstall the nipples to the tees/elbows.
- Run water through the system to flush out any dirt or debris.



6. Install the Waterway

- Insert the escutcheon into the opening.
- **If any of the leak shields makes contact with an elbow:** Enlarge the hole in the back of the leak shield to 1-1/4" (32 mm).
- Thread the adapter onto the nipple using the provided 11 mm bit, 11 mm or 7/16" socket, extension and socket wrench. Use masking tape to hold the bit in place, as the bit could fall off and cause damage.

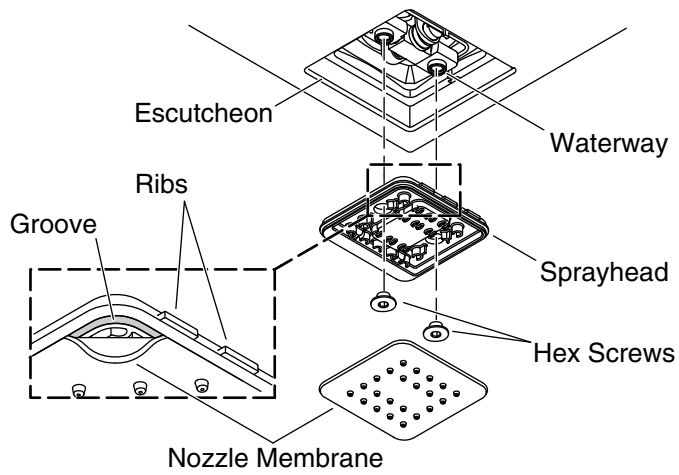
IMPORTANT! The escutcheon should sit loosely at this point. If it is tight against the wall, use a longer pipe nipple.

- Align the groove in the waterway with the double ribs on the leak shield.
- Press the waterway into place over the adapter. Secure the waterway to the adapter with the screw provided.
- Verify that the escutcheon does not turn or shift.

IMPORTANT! If the escutcheon is still loose after this step, use a shorter pipe nipple.

Install the Waterway (cont.)

- Repeat for the remaining waterways.

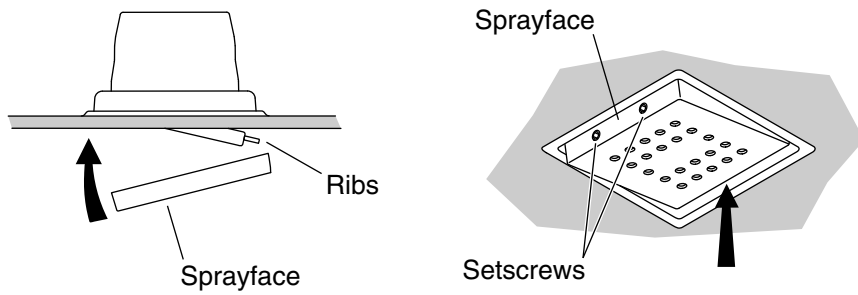


7. Install the Sprayhead

- Using a 5/32" hex wrench, secure the sprayhead to the waterway with the two hex screws. Do not overtighten.
- Verify that the sprayhead sits squarely within the escutcheon and tilts freely up and down.
- Place the nozzle membrane over the sprayhead, aligning the long edge of the membrane with the ribs.

NOTE: For optimum performance, ensure that the membrane is applied evenly.

- Applying pressure evenly, press the membrane seal into the sprayhead groove.



8. Install the Sprayface

NOTE: For product with brushed finishes, align the brush pattern of the sprayfaces with the direction of the brushed pattern of the escutcheon.

- Tilt the sprayhead to expose the ribs.
- Position the grooves of the sprayface over the ribs, then rotate the loose end of the sprayface up as illustrated.
- Press the sprayface into place to cover the sprayhead.
- Tilt the sprayhead assembly to expose the setscrew holes.

IMPORTANT! To avoid product damage, the setscrews must not protrude beyond the sprayface.

- Using a 5/64" hex wrench, turn the setscrews counterclockwise until they are flush with the sprayface.
- Repeat for the remaining sprayfaces.

Care and Cleaning

For best results, keep the following in mind when caring for your KOHLER product:

- Use a mild detergent such as liquid dishwashing soap and warm water for cleaning. Do not use abrasive cleaners that may scratch or dull the surface.
- Carefully read the cleaner product label to ensure the cleaner is safe for use on the material.

Care and Cleaning (cont.)

- Always test your cleaning solution on an inconspicuous area before applying to the entire surface.
- Do not allow cleaners to sit or soak on the surface.
- Wipe surfaces clean and rinse completely with water immediately after cleaner application. Rinse and dry any overspray that lands on nearby surfaces.
- Use a soft, dampened sponge or cloth. Never use an abrasive material such as a brush or scouring pad to clean surfaces.

For detailed cleaning information and products to consider, visit www.kohler.com/clean. To order Care & Cleaning information, call 1-800-456-4537.

Warranty

KOHLER® Faucet Lifetime Limited Warranty

Kohler Co. warrants its Faucets* manufactured after January 1, 1997, to be leak and drip free during normal residential use for as long as the original consumer purchaser owns his or her home. If the Faucet should leak or drip during normal use, Kohler Co. will, free of charge, mail to the purchaser the cartridge necessary to put the Faucet in good working condition. This warranty applies only to Kohler Faucets installed in the United States of America, Canada or Mexico ("North America").

Kohler Co. also warrants all other aspects of the faucet or accessories ("Faucet")*, (except gold, non-Vibrant®, non-chrome finishes) to be free of defects in material and workmanship during normal residential use for as long as the original consumer purchaser owns his or her home. This warranty applies only to Kohler Faucets installed in North America. If a defect is found in normal residential use, Kohler Co. will, at its election, repair, provide a replacement part or product, or make appropriate adjustment. Damage to a product caused by accident, misuse, or abuse is not covered by this warranty. Improper care and cleaning will void the warranty**. Proof of purchase (original sales receipt) must be provided to Kohler Co. with all warranty claims. Kohler Co. is not responsible for labor charges, installation, or other incidental or consequential costs. In no event shall the liability of Kohler Co. exceed the purchase price of the Faucet.

If the Faucet is used commercially or is installed outside of North America, or if the finish is gold, non-Vibrant or a painted or powder coated color finish, Kohler Co. warrants the Faucet to be free from defects in material and workmanship for one (1) year from the date the