

Installation Instructions

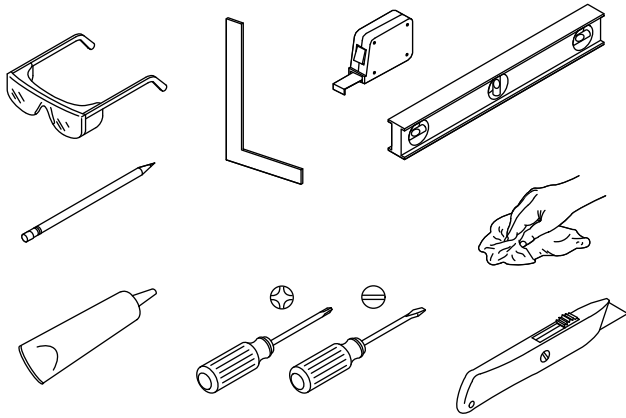
Drop-In / Under-mount Bath

Record your model number:
Noter le numéro de modèle:
Anote su número de modelo: _____

Français, page "Français-1"
Español, página "Español-1"

THE BOLD LOOK
OF **KOHLER**®

Tools



Plus:

All Installations

- Conventional Woodworking Tools and Materials
- Drop Cloth
- 2x4s or 2x6s
- Water-Resistant Deck Material
- Metal Shims
- Finished Material

Under-mount Installations

- Template
- Masking Tape
- File
- Jigsaw
- Router
- Weights

Before You Begin



DANGER: Risk of accidental injury or drowning. This appliance is not intended for use by persons with reduced physical, sensory, or mental capabilities, or lack of experience and knowledge. Children should be supervised to ensure that they do not play with this appliance.



CAUTION: Risk of personal injury. Wear personal protective equipment and obtain sufficient help to carefully lift or move the bath. Cast iron baths are extremely heavy. If the cast iron bath is not lifted properly, personal injury may occur.



WARNING: Risk of personal injury. Parts containing live parts, except parts supplied with safety extra-low voltage not exceeding 12 V, must be inaccessible to a person in the whirlpool.



CAUTION: Risk of property damage. When planning the framing, take into consideration the height of the bath **with** the feet. The bath must be supported by the feet only to avoid property damage. **Do not support the bath by the framing or bath rim.**



CAUTION: Risk of product damage. Not recommended for installation in a continuously wet environment.



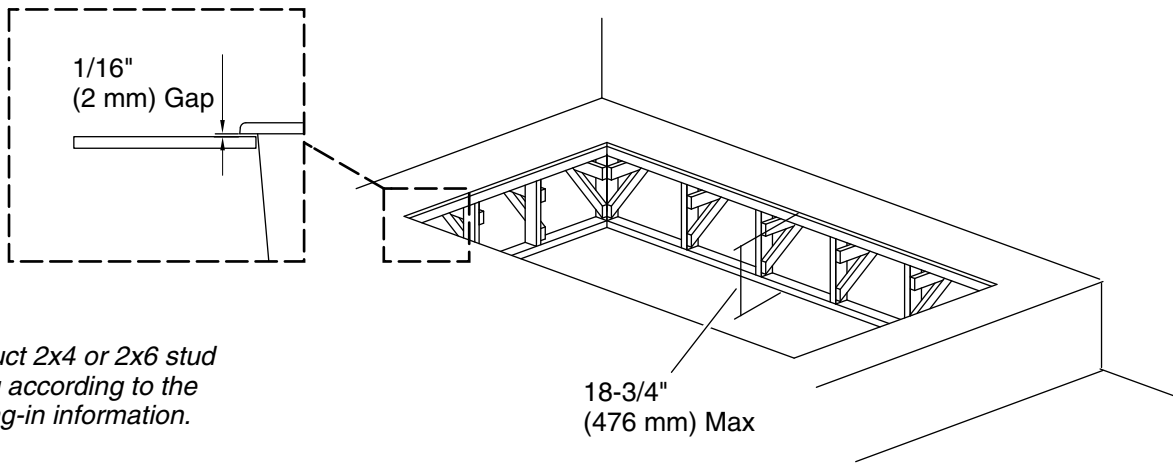
CAUTION: Risk of product damage. If welding is required, cover the bath's surface to prevent welding deposits from damaging the enamel surface.

IMPORTANT: Prior to installation, carefully inspect all surfaces of the bath. If there are any areas of concern, **DO NOT INSTALL.** Call 1-800-4KOHLER (1-800-456-4537) for further assistance.

IMPORTANT: The bath must be installed indoors. Outdoor installation will void the warranty.

NOTICE: This product requires a K-7271 drain (brass pipe) or a K-7272 drain (PVC pipe) for proper installation.

- Follow all local plumbing and building codes.
- Before moving the bath, carefully plan the installation area. This bath is heavy and will not easily fit through doorways.
- Unpack and inspect the bath for damage. Return the bath to the carton until installation.
- Ensure proper access to final plumbing connections.
- These instructions are for both freestanding and drop-in installations. Follow the instructions that apply to your particular installation.
- This bath conforms to ASME Standard A112.19.1/CSA B45.2. All dimensions are nominal.



1. Prepare the Site

NOTICE: Measure your product for site preparation. Visit the product page at kohler.com for more information.

Framing Considerations



CAUTION: Risk of property damage. When planning the framing for the height of the bath, take into consideration the height of the bath **with** the feet. **Do not support the bath by the framing or bath rim.**

- When planning the framing, take into consideration the thickness of the water-resistant deck material and finished material.
- If a deck-mount faucet and valving are planned, ensure that adequate space is available for their installation.
- An access panel is recommended to simplify future maintenance to plumbing.

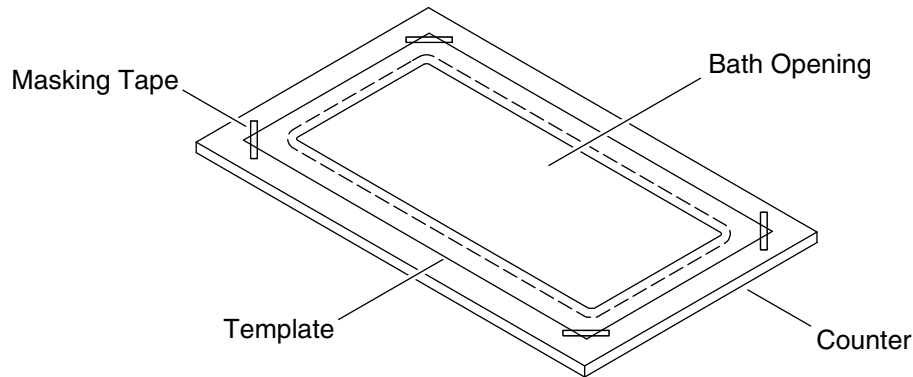
NOTICE: To ensure the bath rim running the length of the bath will be used as intended:

- Ensure a 1/16" (2 mm) gap will exist between the finished material and the underside of the bath rim.
- Allow a minimum of 2" (51 mm) of clearance between the edge of the bath rim and the finished wall.

Prepare the Site

NOTICE: Install to a level subfloor that is adequately supported.

- Install a level subfloor. Adjust for level, if necessary.
- Construct 2x4 or 2x6 stud framing designed for your particular installation.
- Position the plumbing. Cap the supplies and check for leaks.



2. Prepare the Counter – Under-mount Only

- With the edges of the template (provided) parallel with the edges of the counter, affix the template to the counter using masking tape.

NOTE: A counter with radius edges is recommended.

- Determine the preferred edge treatment for the counter. Consult with your local counter fabricator for instructions on cutting the counter edges properly.
- Using the proper cutting method for your counter type, cut along the edge of the template cutout line.
- Remove the template when cutting is complete.
- Smooth the edge of the counter as needed.
- Carefully position the counter on top of the bath to ensure correct fit and appearance. Adjust as necessary.



CAUTION: Risk of property damage. Braces must be installed to support the weight of the counter from below. Do not rely on the bath alone to support this weight. Refer to any instructions supplied with the counter for proper bracing installation. If braces are not installed, the counter may flex and possibly damage the bath.

- Using 2x4s or other bracing material, add braces (required) to the underside of the counter.

3. Install the Tiling-In Bead (optional)

NOTE: For through-the-floor drain installations: A drain hole will need to be cut to accommodate the drain connections. **For above-the-floor drain installations:** A hole will not need to be cut.

- Position the plumbing.
- Cap the supplies and check for leaks.

4. Prepare the Bath

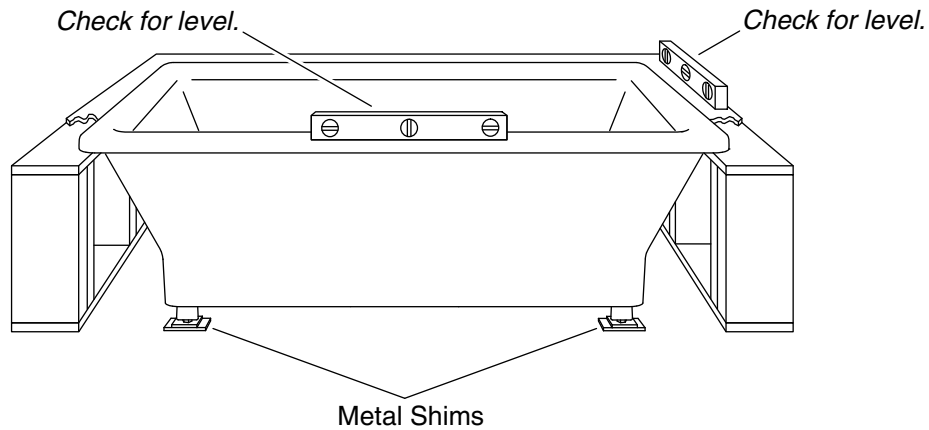


WARNING: Risk of personal injury. Wear personal protective equipment and obtain sufficient help to carefully lift or move the bath. Cast iron baths are extremely heavy. If the cast iron bath is not lifted properly, personal injury may occur.

- Place protective floor covering or throw rug near the installation area. This will prevent damage to the floor and bath when the bath is set down.
- With help, remove the bath from its carton and place it on top of the protective floor covering.

Prepare the Bath (cont.)

- Attach the drain to the bath according to the drain manufacturer's instructions. **Do not connect the trap at this time.**
- Place a clean drop cloth in the bottom of the bath. This will prevent the surface of the bath from scratching during the installation process.



5. Install the Bath



CAUTION: Risk of personal injury. Wear personal protective equipment and obtain sufficient help to carefully lift or move the bath. Cast iron baths are extremely heavy. If the cast iron bath is not lifted properly, personal injury may occur.

NOTE: The illustration above shows a drop-in bath. The installation instructions apply for both the drop-in and under-mount bath.

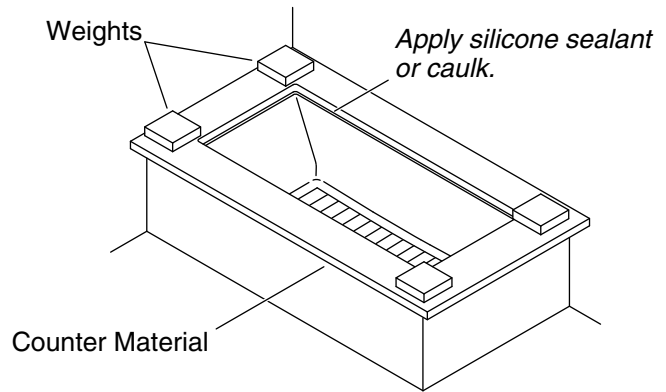
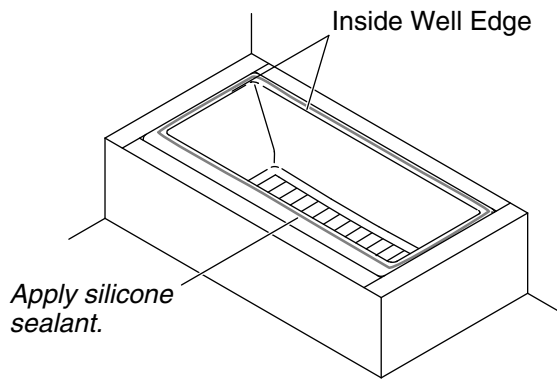
- With help, carefully move the bath into the installation area.
- Connect the tailpiece of the drain to the trap.
- Verify the bath is: (1) level across the top of the bath, (2) plumb along the drain side, and (3) resting on all four feet. If the bath is not level, metal shims must be placed under the bath feet.
- To level the bath, have several people lift the bath while one person slides metal shims underneath the bath feet.

6. Install the Plumbing



CAUTION: Risk of property damage. A watertight seal must exist on all bath drain connections. The watertight seal will prevent property damage.

- Connect the trap to the drain.
- Install the faucet valving according to the faucet manufacturer's instructions. **Do not install the faucet trim at this time.**
- Run water into the bath. Check the drain connections for leaks.
- Fill the bath to the overflow. Check for leaks.



7. Complete the Installation – Under-mount Only

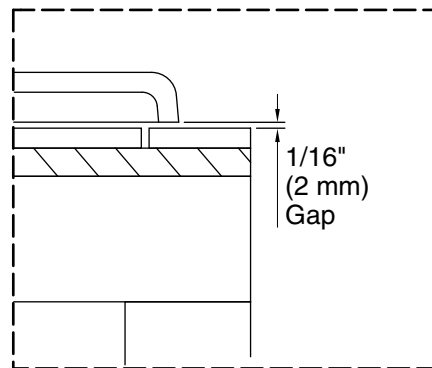
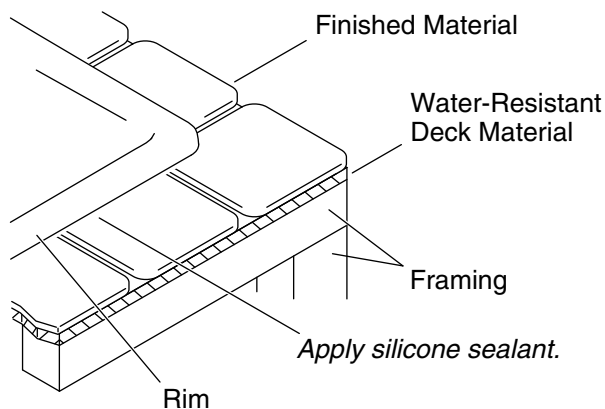


CAUTION: Risk of property damage. Do not use adhesive sealant to secure the counter material to the bath. Adhesive sealant will permanently bond the counter material to the bath making separation difficult and costly. Instead, use silicone sealant or caulk which will ease future maintenance or removal of the counter material.

- Clean the rim of the bath.

NOTICE: The bead of silicone sealant or caulk must be placed a minimum of 2" (51 mm) away from the inside well edge of the rim.

- Apply a continuous bead of silicone sealant or caulk to all areas where the rim and counter material meet.
- Align and properly position the counter material over the bath.
- Press the counter firmly onto the bath.
- Temporarily set weights on the counter material. This will hold the counter material in place while the silicone sealant dries.
- Apply a continuous bead of clear silicone sealant where the rim and the counter material meet.
- Install the faucet trim according to the manufacturer's instructions.



8. Complete the Installation - Drop-In Only

- Cover the framing with water-resistant deck material.

NOTICE: Only apply 100% silicone sealant where instructed.

- Using 100% silicone sealant, seal the joints between the water-resistant deck material and the bath rim at the head and drain end of the bath. **Do not apply silicone sealant to the bath rim running the length of the bath.**

NOTICE: To ensure the bath rim is used as designed, allow a 1/16" (2 mm) gap between the bath rim and the finished material.

- Install the finished material. Ensure a 1/16" (2 mm) gap exists between the bath rim and the finished material for the length of the bath.
- Apply a bead of silicone sealant in the groove between the finished material and the bath rim for the length of the bath.
- Install the faucet trim according to the manufacturer's instructions.

Warranty

Need help? Contact our Customer Care Center.

USA/Canada: 1-800-4KOHLER (1-800-456-4537), Mexico:
001-800-456-4537

For service parts information, visit kohler.com/serviceparts.

For care and cleaning information, visit kohler.com/clean.

This product is covered under the **KOHLER® Enameled Cast Iron Bath and Shower Base Lifetime Limited Warranty**, found at kohler.com/warranty. For a hardcopy of warranty terms, contact the Customer Care Center.