



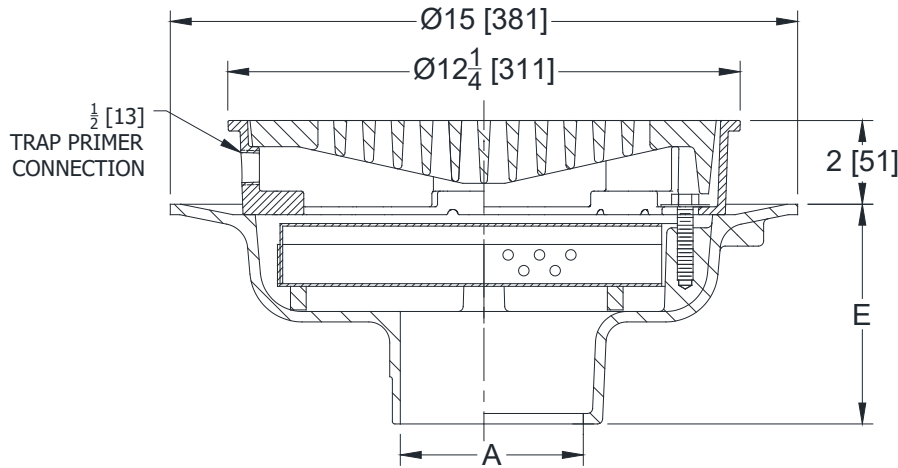
Z505

12-1/4 [311] DIAMETER TOP HEAVY-DUTY DRAIN WITH
SEDIMENT BUCKET & INTEGRAL TRAP PRIMER CONNECTION

SPECIFICATION SHEET

TAG _____

Design and Dimensional Data (inches and [mm]) are Subject to Manufacturing Tolerances and Change Without Notice



'A' Pipe Size In. [mm]	Approx. Wt. Lbs. [kg]	Grate Open Area Sq. In. [cm ²]
2,3,4,6 [51,76,102,152]	39 [18]	30 [194]
8 [203]	41 [19]	

ENGINEERING SPECIFICATION: ZURN Z505

12-1/4" [311mm] Diameter top drain, Dura-Coated cast iron body with bottom outlet, seepage pan and combination membrane flashing clamp and frame with integrated trap primer and plug for heavy-duty deep flange slotted duresist grate with sediment bucket.

OPTIONS (Check/specify appropriate options)

PIPE SIZE (ØA)

- ___ 3,4,6 [76,102,152]
- ___ 3,4,6 [76,102,152]
- ___ 2,3,4,6,8 [51,76,102,152,203]
- ___ 2,3,4,6,8 [51,76,102,152,203]
- ___ 2,3,4 [51,76,102]

OUTLET (specify size)

- ___ IC Inside Caulk
- ___ IG Inside Gasket
- ___ IP Threaded
- ___ NH No-Hub
- ___ NL Neo-Loc

'E' BODY HT. DIM.

- ___ 5-1/4 [133]
- ___ 5-1/4 [133]
- ___ 3-3/4 [95]
- ___ 5-1/4 [133]
- ___ 4-5/8 [117]

PREFIXES

- ___ Z D.C.C.I. Body and Top*
- ___ ZN D.C.C.I. Body with Polished Nickel Bronze Top (Add 3/16 [5] to 2 [51] Dim. and 3/4 [20] to 12-1/4 [311] Dim.)

SUFFIXES

- | | |
|---|--|
| ___ -AR Acid Resisting Epoxy Coated Cast Iron | ___ -T Square Top |
| ___ -F Extension Frame (Specify Ht.- Req'd) | ___ -TC Neo-Loc Test Cap Gasket
(2, 3, 4 [51, 76, 102] NL Bottom Outlet Only) |
| ___ -G Galvanized Cast Iron | ___ -TS Top Secured with Slotted Screws |
| ___ -HP Heel-proof Grate | ___ -TSP Trap Seal Protection Device
(sizes match drain outlet selected, see Z1072) |
| ___ -HT Square Hinged Grate | ___ -V Backwater Valve (See Z1099) |
| ___ -S Secondary Strainer | ___ -VP Vandal-Proof Secured Top |
| ___ -SA Stabilizer Assy (See Z1036) | ___ -90 90° Threaded Side Outlet Body (4 [102] Size Only) |
| ___ -SC Solid Cover | |
| ___ -SS Stainless Mesh Liner for Bucket | |

* Regularly furnished unless otherwise specified

- ⚠ **WARNING:** Cancer and Reproductive Harm - www.P65Warnings.ca.gov
- ⚠ **ADVERTENCIA:** Cáncer y daño reproductivo - www.P65Warnings.ca.gov
- ⚠ **AVERTISSEMENT:** Cancer et effets néfastes sur la reproduction - www.P65Warnings.ca.gov

Zurn Industries, LLC | Specification Drainage Operation
1801 Pittsburgh Avenue, Erie, PA 16502, Ph. 855.663.9876

In Canada | Zurn Industries Limited
7900 Goreway Drive, Unit 10, Brampton, Ontario L6T 5W6, Ph. 877.892.5216

www.zurn.com

Rev.	K
Date:	03/29/2024
C.N. No.	145950
Prod. Dwg. No.	Z505