

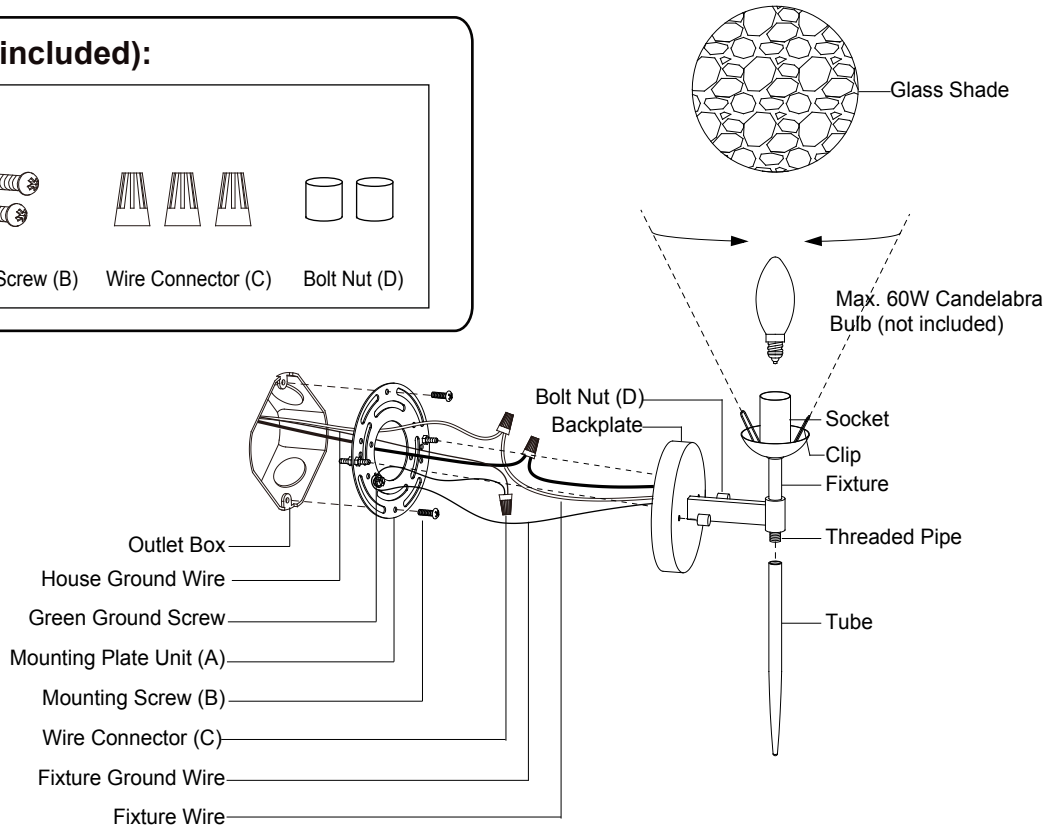
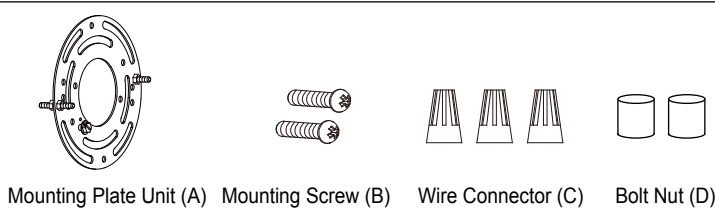
ASSEMBLY AND INSTALLATION INSTRUCTIONS

W0409

WARNING: TO AVOID RISK OF ELECTRICAL SHOCK, BE SURE TO SHUT OFF POWER WHILE INSTALLING OR SERVICING THIS FIXTURE.

NOTES: 1. Before installing, consult local electrical codes for wiring and grounding requirements.
2. Read and save these instructions.

Hardware Package (included):



Installation Steps

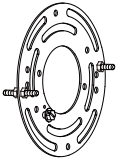



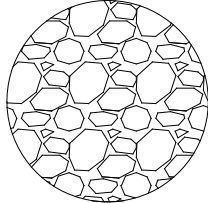
Turn off the power at fuse or circuit box.

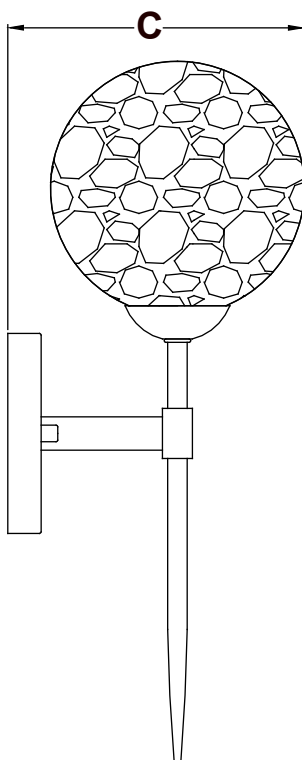
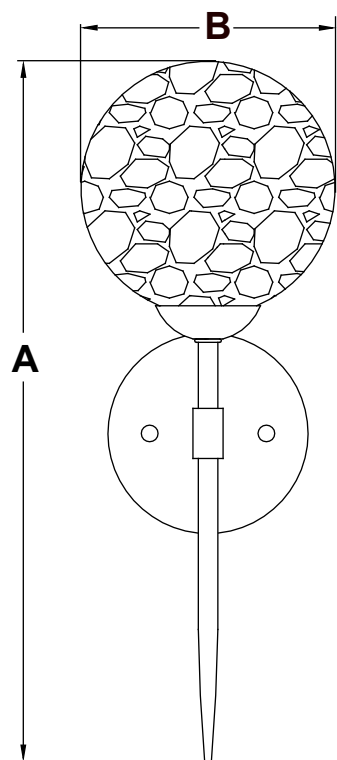
1. Attach mounting plate unit (A) to the outlet box by using two mounting screws (B).
Adjust the length of the preinstalled headless screws if necessary.
Note: Make sure that the headless screws are lined up horizontally to make the fixture level.
2. Pull out the source wires from the outlet box. Make wire connections using wire connectors (C) as follows:
 - Connect the hot wire (black insulation) from the power source to the black wire from the fixture.
 - Connect the neutral wire (white insulation) from the power source to the white wire from the fixture.
 - Attach the fixture ground wire (green insulation or bare wire) to the mounting plate unit (A) with the green ground screw, or connect to the source ground wire if available.Carefully put the wires back into the outlet box.
3. Secure the tube to the fixture by threaded pipe.
4. Install 1 X 60W max. candelabra bulb (not included). Check relamping label at socket area or packaging for maximum wattage allowed.
5. Attach the glass shade onto the socket, then using clip to fix.
6. Attach the fixture to the mounting plate unit (A) by inserting headless screws into holes on backplate, then secure it with bolt nuts (D).

Turn on the power at fuse or circuit box.

The following parts are available for re-order if damaged or missing.

Spare Parts List:

				← Assembly Kit 6516MM (1 SET)	
Mounting Plate Unit (A)	Mounting Screw (B)	Wire Connector (C)	Bolt Nut (D)		



A: 16-1/2"

B: 6"

C: 7"