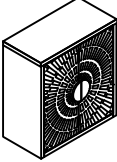
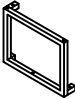
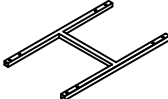






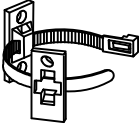
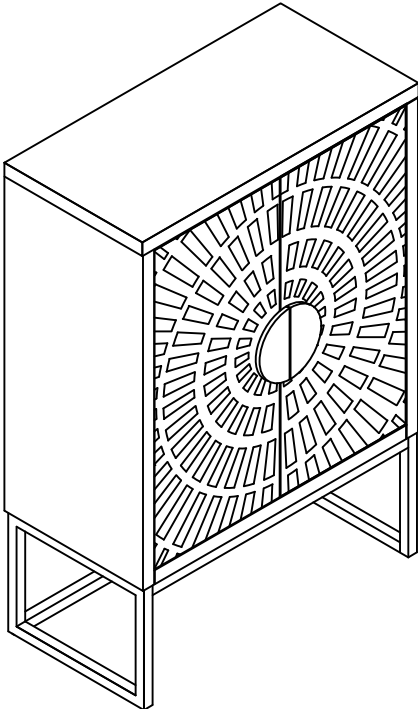


ASSEMBLY INSTRUCTION

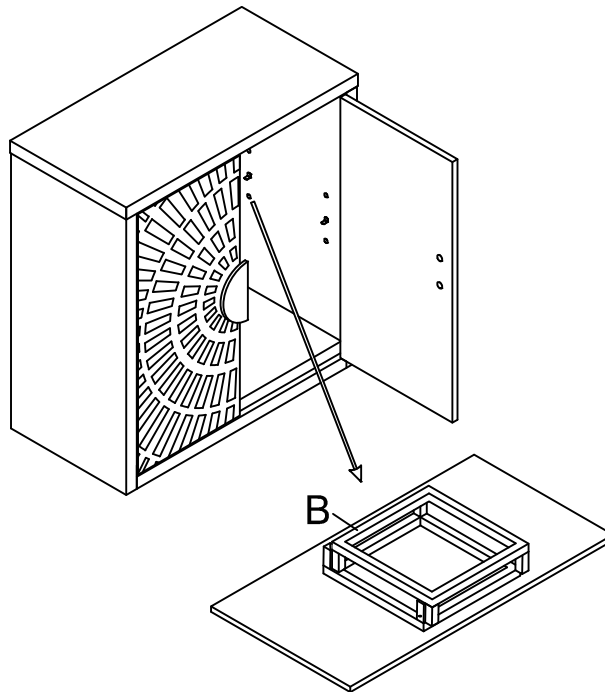
2-DOOR ACCENT CABINET

A Cabinet	B Leg Frame	C Top Stretcher	D Bottom Stretcher	E Small Bolt 1/4" x 5/8"
				
1PC	2PCS	1PC	1PC	6PCS
F Large Bolt 5/16" x 1-3/4"	G Flat Washer 3/4"	H Allen Key M4	I Allen Key M5	J Anti-Tipping Kit (With Individual AI)
				
6PCS	12PCS	1PC	1PC	1SET

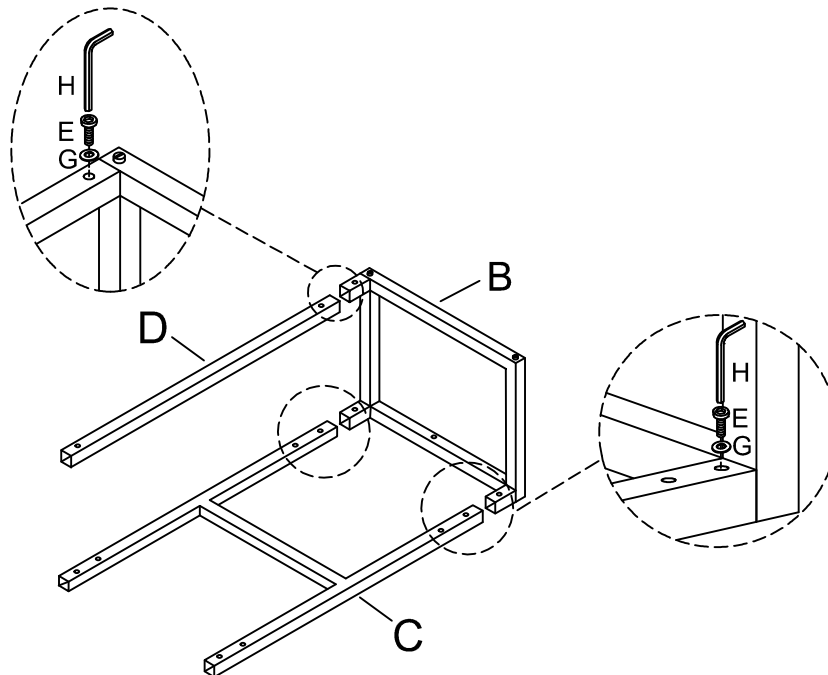


This page lists all the contents included in the box. Please take the time to identify the hardware as well as the individual components to this product. As you unpack and prepare for assembly, place the contents on a carpeted or padded area to protect them from damage.

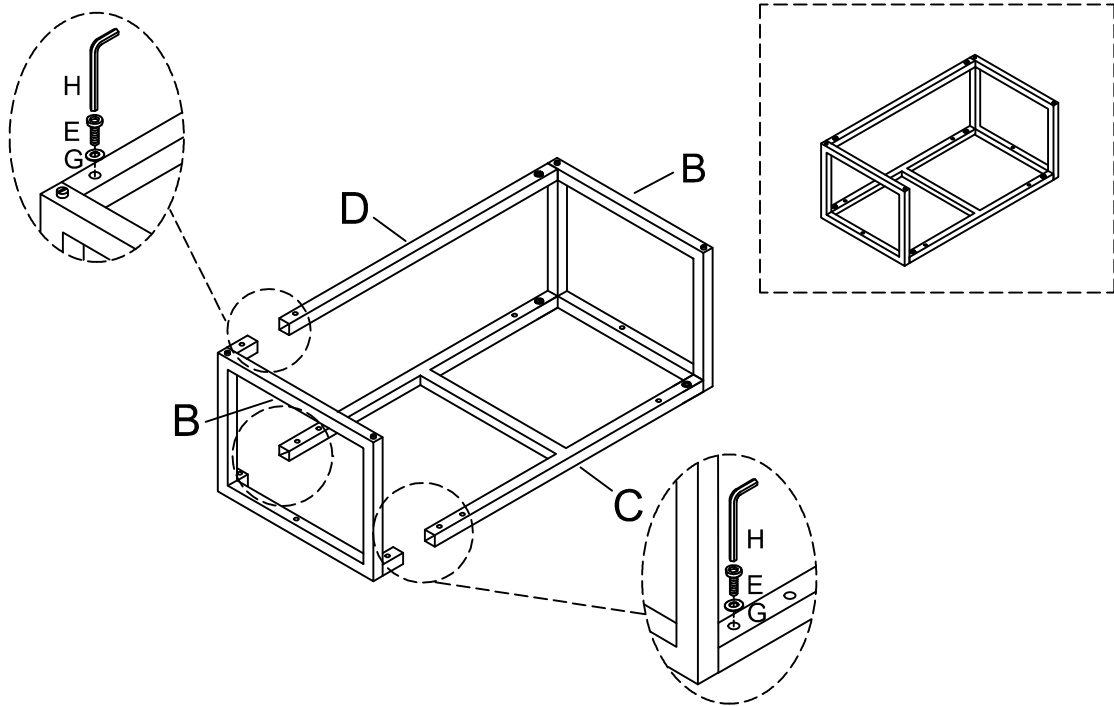
1 Remove the shelf with Leg Frame (B) from the inside of the door.



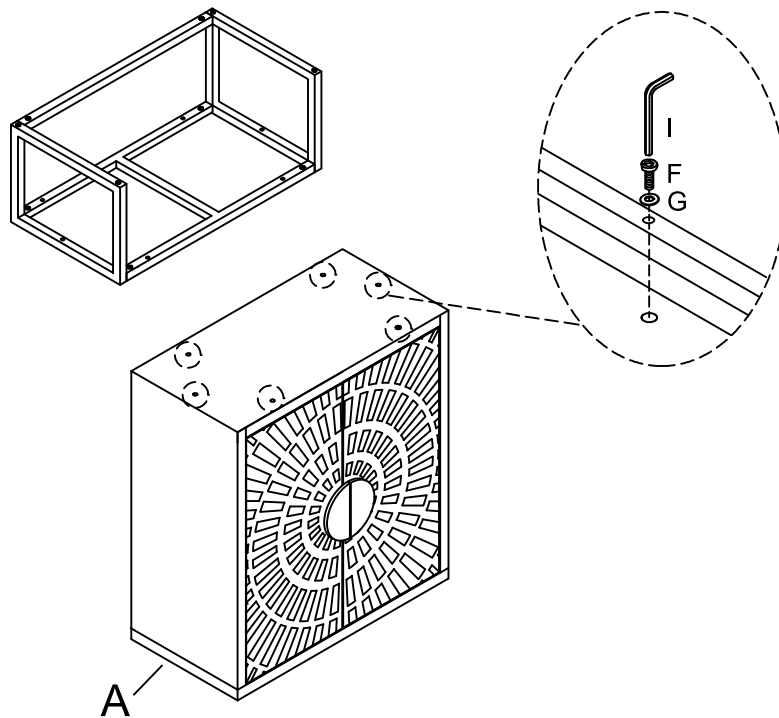
2 Insert Leg Frame (B) into Top Stretcher (C) and Bottom Stretcher (D) by using Flat Washer (G) and Small Bolt (E) with Allen Key (H).



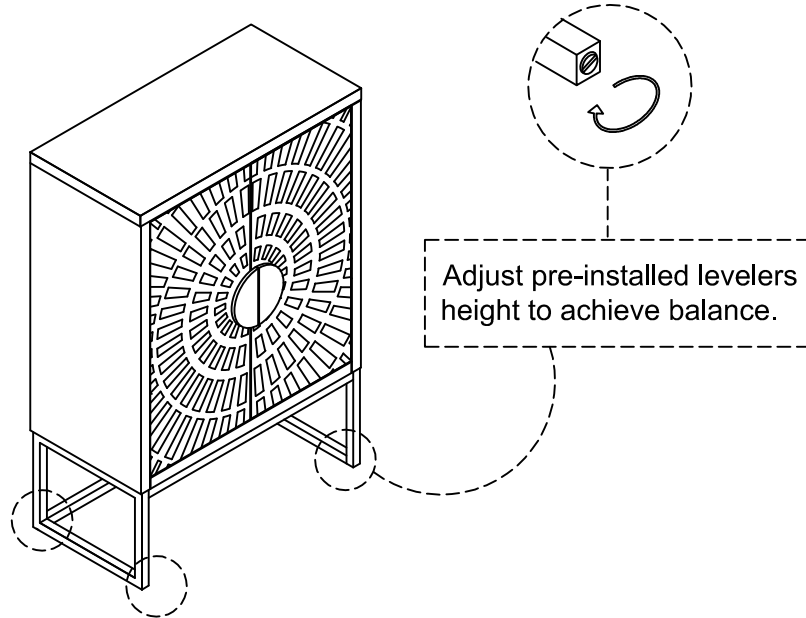
- 3** Insert Leg Frame (B) into Top Stretcher (C) and Bottom Stretcher (D) by using Flat Washer (G) and Small Bolt (E) with Allen Key (H).



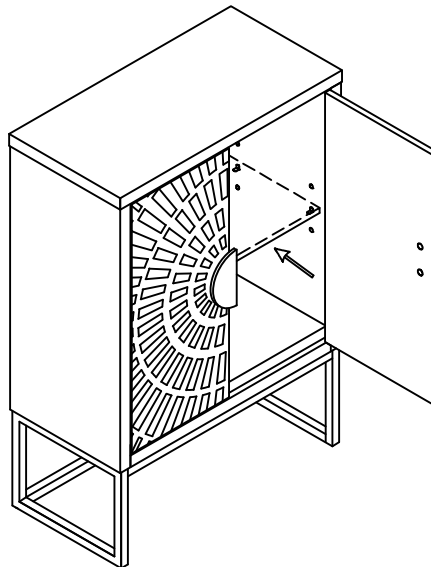
- 4** Attach the assembled frame to the bottom of Cabinet (A) by using Flat Washer (G) and Large Bolt (F) with Allen Key (I).



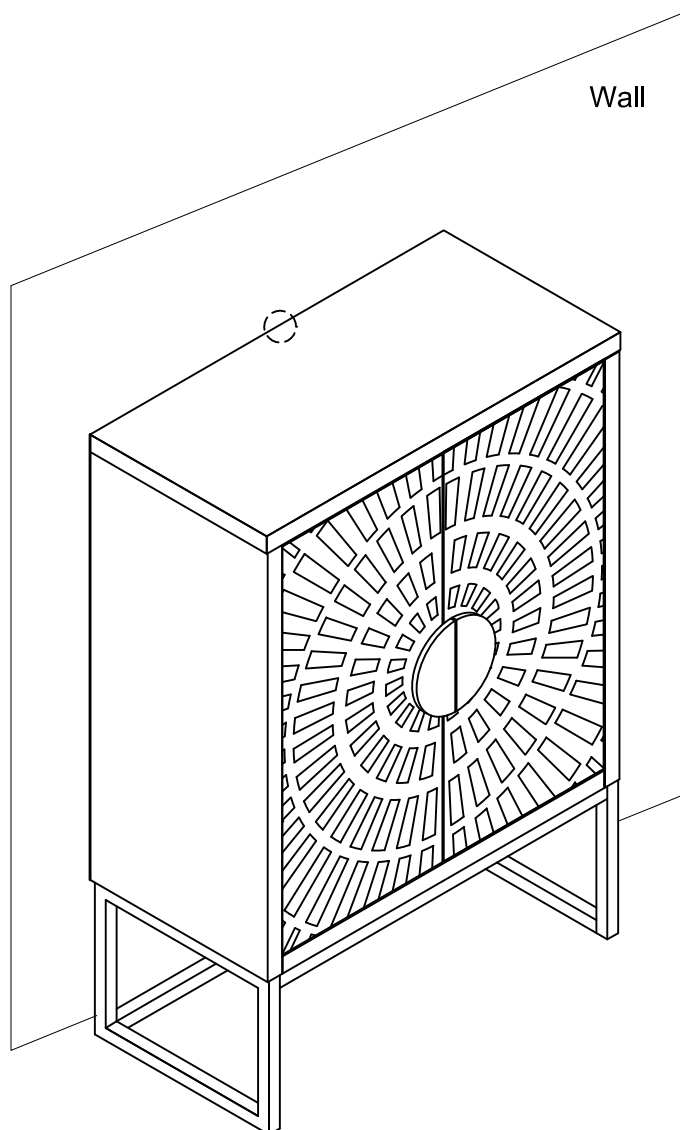
-
- 5 With the assistance of your adult partner, stand the Cabinet up. Adjust the pre-installed levelers on the bottom of Leg Frame (B) until the Cabinet is level with ground.



-
- 6 Place the shelf on the shelf supports.



-
- 7** Remark: To prevent tip over, the product should be attached to the wall with Anti-Tipping Kit (J). Please read the individual AI for the Anti-Tipping Kit (J) thoroughly and install on the back of the product.



Cleaning & Care

Treat surfaces with care. Surfaces are resistant to scratches but are not scratch resistant. Clean surfaces with a dry or damp soft cloth. Do not use abrasive cleaners. Hardware may loosen over time. Periodically check that all connections are tight.